



YOSHIMURA

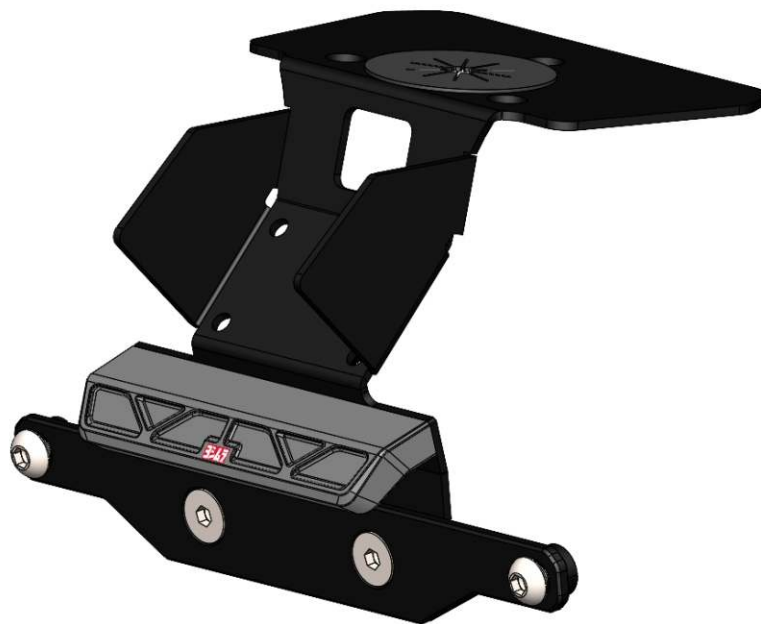
RESEARCH&DEVELOPMENT OF AMERICA, INC.

5420 DANIELS STREET STE A, CHINO CA., 91710 · (800) 634-9166 · (909) 628-4722 · FAX (909) 591-2198

www.yoshimura-rd.com

FENDER ELIMINATOR KIT

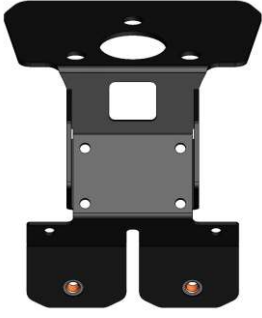
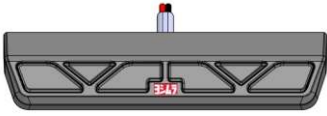
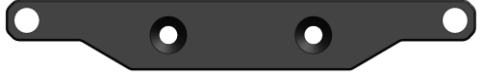
075BG194700
CFMOTO 675 SS








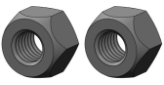
THIS PRODUCT IS NOT DOT APPROVED.

Yoshimura R&D of America, Inc. is not liable or responsible for any resulting event caused by the installation of this product. Check with local laws and regulations for compliance prior to installation and use. This product is not intended for use on public highways.



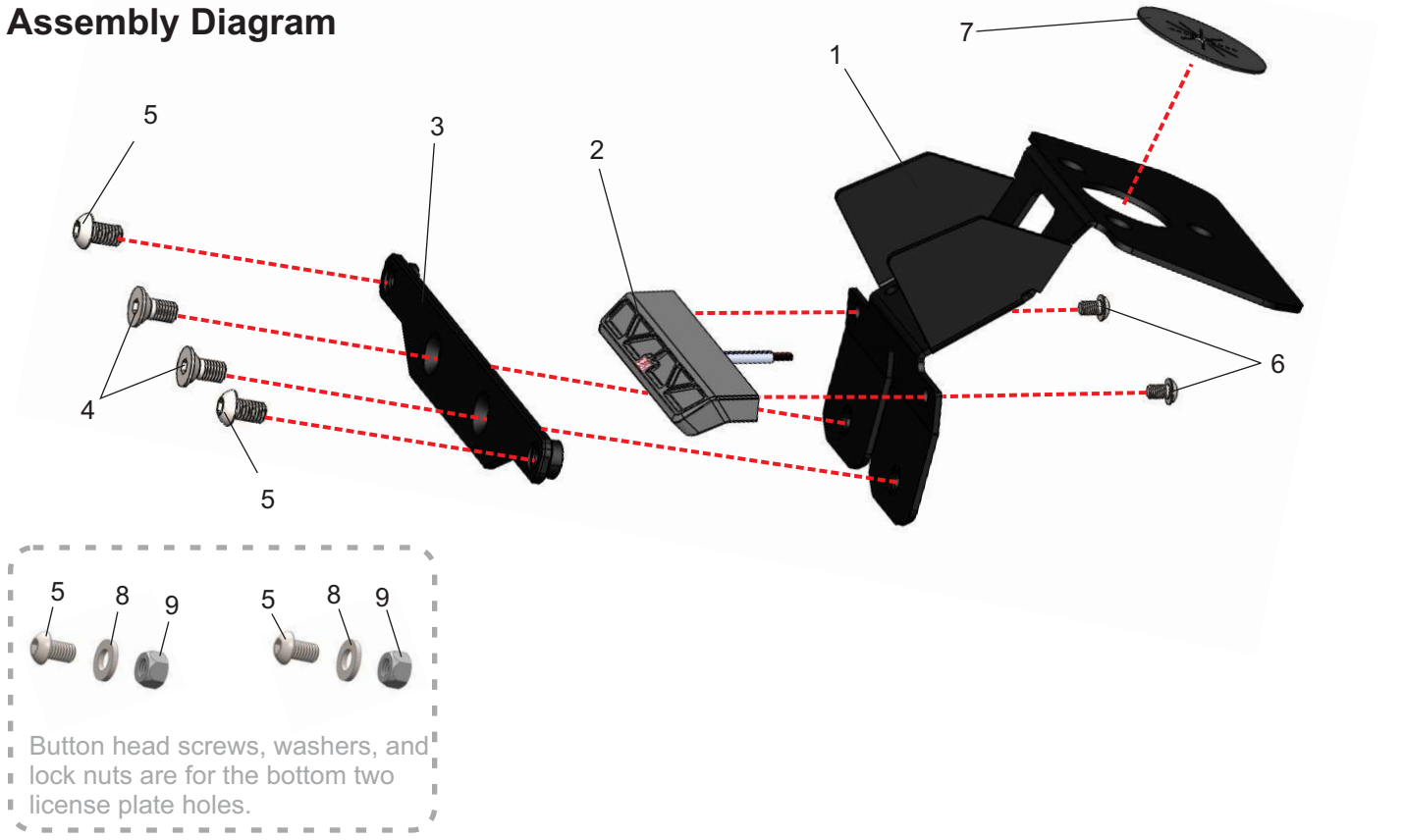
<p>#1 Qty. 1</p>  <p>19470-FEBKT Fender Eliminator Bracket</p>	<p>#2 Qty. 1</p>  <p>075BG-LH-C1 License Plate Light</p>	<p>#3 Qty. 1</p>  <p>FE-LP-BKT License Plate Bracket</p>
---	---	---

<p>#4 Qty. 2</p>  <p>M6X12FS-SS 6mm x 12mm Flat Head Screw</p>	<p>#5 Qty. 4</p>  <p>M6X10BHS 6mm x 10mm Button Head Screw</p>	<p>#6 Qty. 2</p>  <p>M4X6BHS 4mm x 6mm Button Head Screw</p>	<p>#7 Qty. 1</p>  <p>H-2158T-1 Wire Debris Cover</p>
---	---	--	---

<p>#8 Qty. 2</p>  <p>6MMWASHER-SS 6mm Washer</p>	<p>#9 Qty. 2</p>  <p>6MMLN-SS 6mm Lock Nut</p>
---	---

Parts & Accessories	
License Plate Frame <small>(070BG-LPF-K)</small>	Black Ti Bolts <small>(M6X10-TI-BLK-K)</small>
Gold Ti Bolts <small>(M6X10-TI-GOLD-K)</small>	Oil Slick Ti Bolts <small>(M6X10-TI-OS-K)</small>

Assembly Diagram

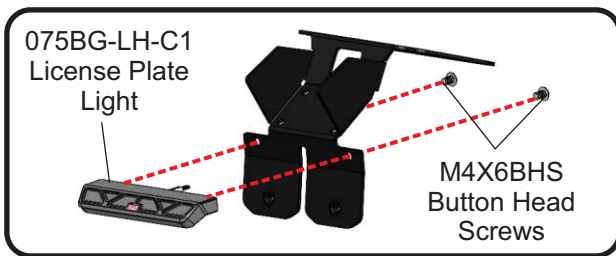


Removal

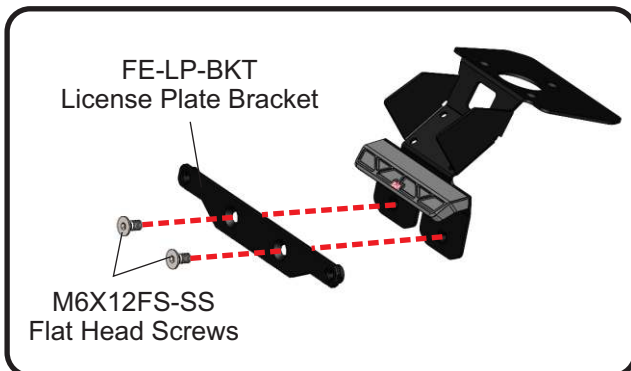
1. Remove passenger seat.
2. Locate and disconnect the license plate light and turn signal connectors.
3. While securely supporting the stock fender assembly, remove the three bolts securing the stock fender and carefully remove the stock fender assembly making sure not to damage license plate light and turn signal connectors.

Installation

1. Install *075BG-LH-C1*, Yoshimura license plate light onto *19470-FEBKT*, Yoshimura fender eliminator bracket using *M4X6BHS*, button head screws.

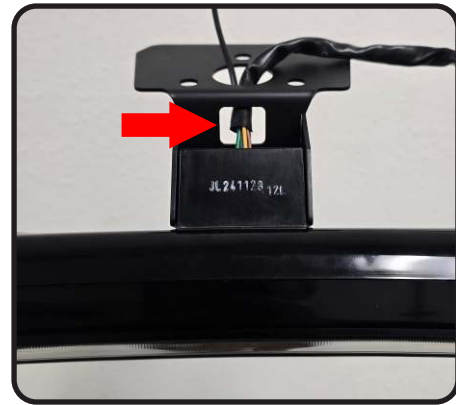


2. Install *FE-LP-BKT*, license plate bracket onto *19470-FEBKT*, fender eliminator bracket using *M6X12FS-SS*, flat head screws.

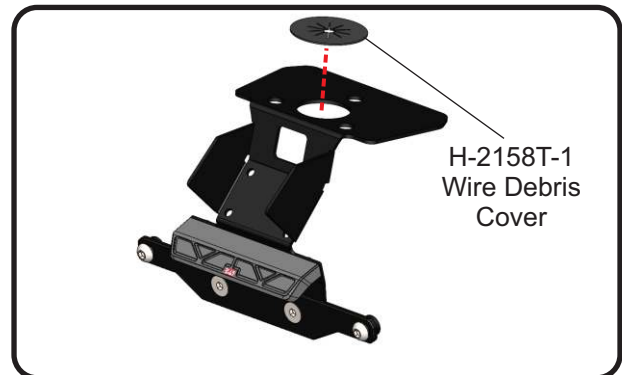


Note: *M6X10BHS*, button head screws will be used to secure the license plate to *FE-LP-BKT*, license plate bracket. *6MMLN-SS*, nylon lock nuts and *6MMWASHER-SS*, washers are for the bottom license plate holes.

3. Install the stock tail light onto the fender eliminator bracket using the four stock screws. Route the tail light connector through the square slot.



4. Install *H-2158T-1* wire debris cover into fender eliminator bracket hole.



5. Mount *19470-FEBKT*, fender eliminator bracket to the under-tail using the stock fender mounting bolts. Torque to factory specifications.

6. Route the license plate light wires through the wire debris cover, into the tail section, and connect to the wiring harness. The wire pairing is as follows:

Black (light) - Green (harness)
Red (light) - Brown (harness)

7. Route the stock tail light wire connector through the wire debris cover, into the tail section, and re-connect to the wiring harness.
8. Re-install passenger seat.
9. Check for proper function of license plate light, turn signals, brake light, and that all brackets and components are secure prior to riding.