

INSTRUCTION MANUAL



www.veikous.com



customerservice@veikous.com

STOP

**MISSING A PART?
CALL US BEFORE GOING
BACK TO THE STORE**

The store where you made your purchase
Does not stock parts for this item.
If you have assembly questions or you are missing or
have damaged parts, please call

1-858-324-1911

(Mon - Fri, 10:00 am to 7:00 pm EST)

you can also e-mail customerservice@veikous.com












or visit www.veikous.com

Please prefer email contact. Due to busy lines,
there may be a wait for calls to be answered.

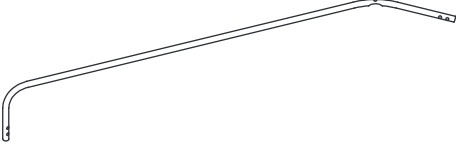
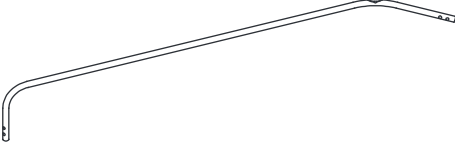
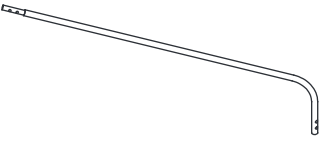
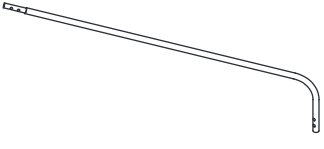
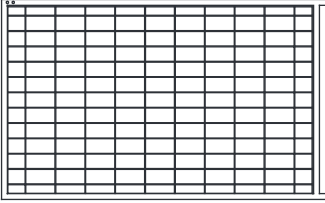
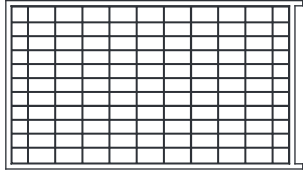
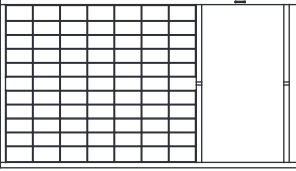
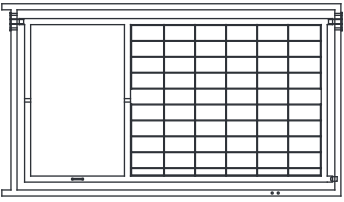
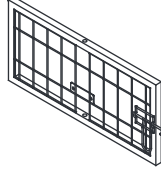
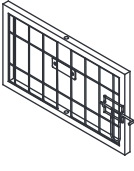








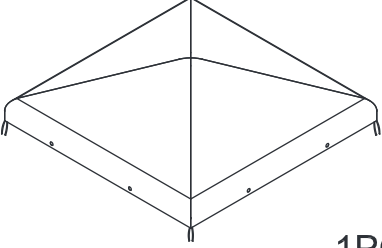

Please have the following information ready when you make your call:

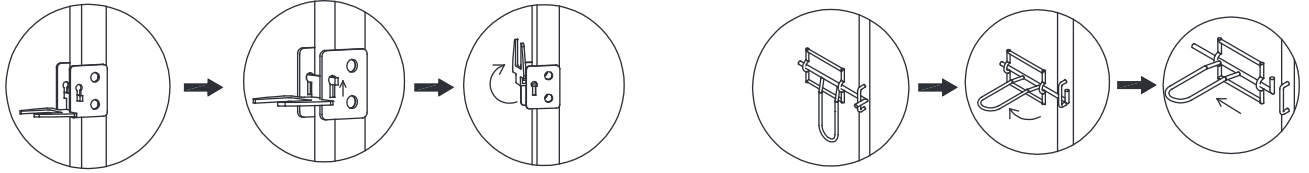
- The model number of the product is printed on the package box
 - Description of the part from the parts list
-
- Read entire assembly manual, paying special attention to the important tips and safety information .
 - Ensure there are no missing pieces by first separating and identifying all parts.
 - Make sure to check packing material for small parts that may have fallen out during shipment.
 - Structures are not intended for public use. The Company does not warranty any of its residential structures subjected to commercial use such as: Daycare, Preschool, Nursery School, Recreational Park, or any similar Commercial Application.
 - This manual contains helpful information concerning assembly preparation, installation procedure and required maintenance.
 - Always keep safety in mind as your structure is being built.
 - Keep these instructions for future reference.

HARDWARE

<p>A</p>  <p>M4 1PC</p>	<p>B</p>  <p>M6x12mm 4PCS</p>	<p>C</p>  <p>M6x20mm 20PCS</p>	<p>D</p>  <p>M6x25mm 9PCS</p>	<p>E</p>  <p>M6x30mm 2PCS</p>	<p>F</p>  <p>M6x75mm 4PCS</p>
<p>G</p>  <p>φ16xφ6x1mm 8PCS</p>	<p>H</p>  <p>6PCS</p>	<p>I</p>  <p>1PC</p>	<p>J</p>  <p>17PCS</p>	<p>K</p>  <p>16PCS</p>	

PARTS

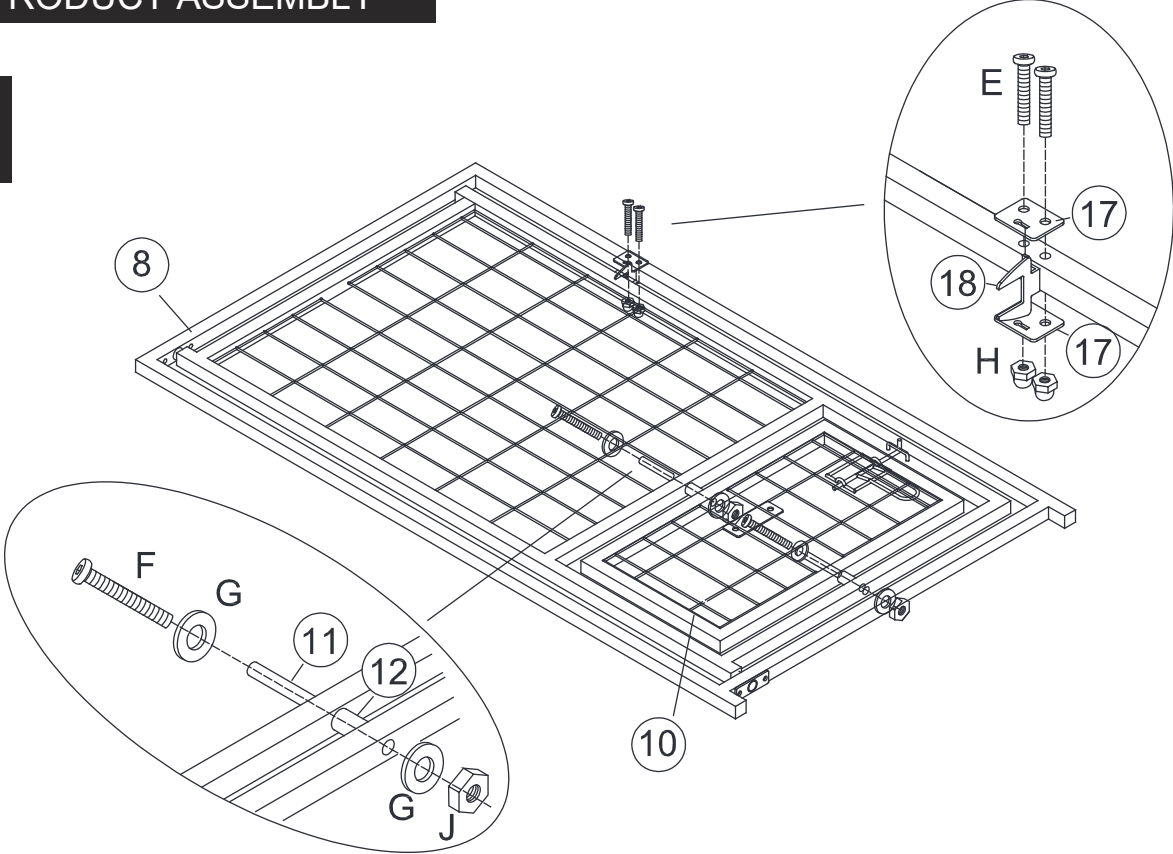
<p>1</p>  <p>1PC</p>	<p>2</p>  <p>1PC</p>	<p>3</p>  <p>1PC</p>			
<p>4</p>  <p>1PC</p>	<p>5</p>  <p>4PCS</p>	<p>6</p>  <p>2PCS</p>			
<p>7</p>  <p>1PC</p>	<p>8</p>  <p>1PC</p>	<p>9</p>  <p>1PC</p>	<p>10</p>  <p>1PC</p>		
<p>11</p>  <p>4PCS</p>	<p>12</p>  <p>4PCS</p>	<p>13</p>  <p>2PCS</p>	<p>14</p>  <p>16PCS</p>	<p>15</p>  <p>16PCS</p>	<p>16</p>  <p>2PCS</p>
<p>17</p>  <p>2PCS</p>	<p>18</p>  <p>1PC</p>	<p>19</p>  <p>1PC</p>	<p>20</p>  <p>8PCS</p>		



PRODUCT ASSEMBLY

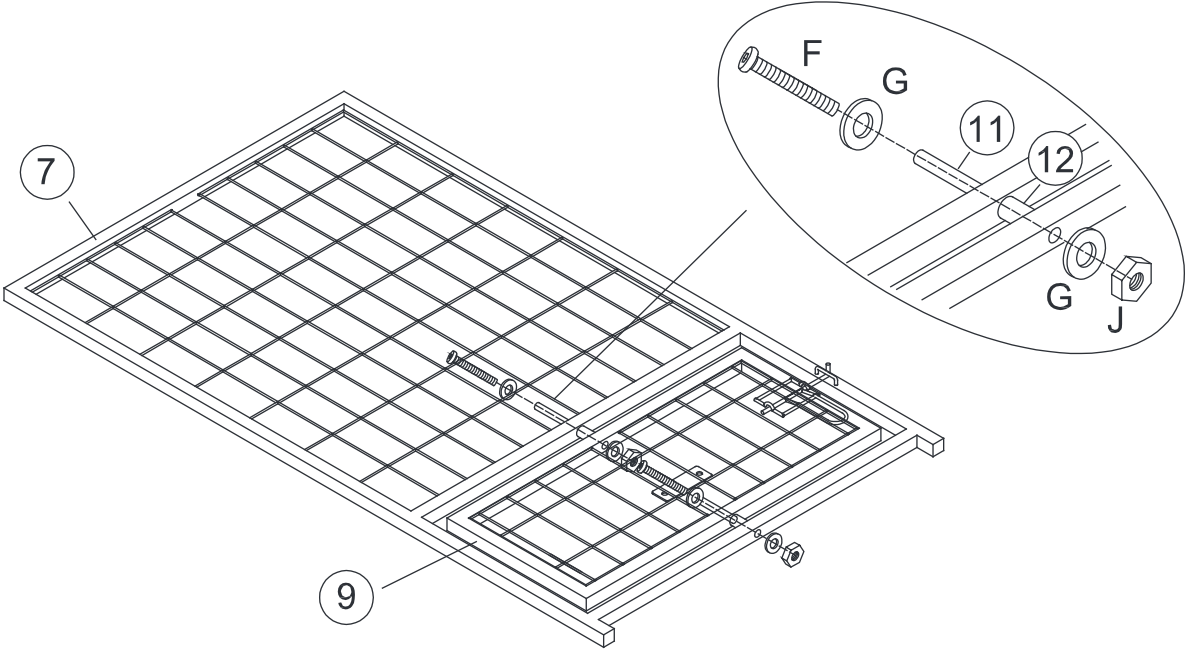
Screw the hardware E / H to the part 17/18.

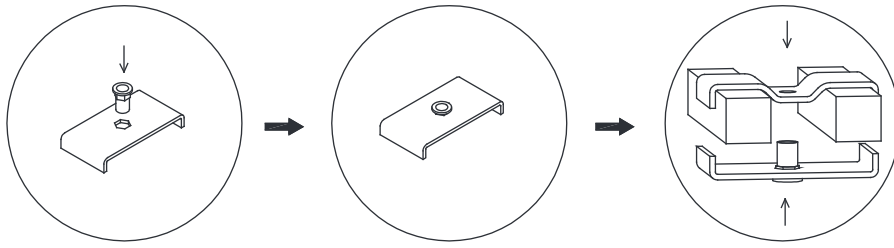
1



Screw the hardware F / G / J to the part 11/12.

Screw the hardware F / G / J to the part 11/12.

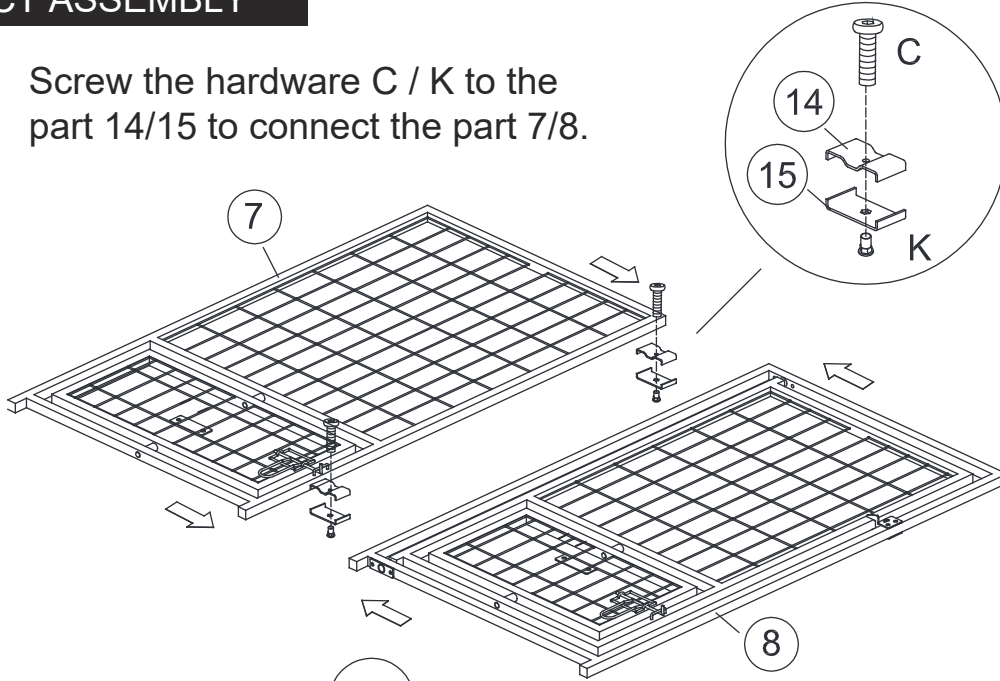




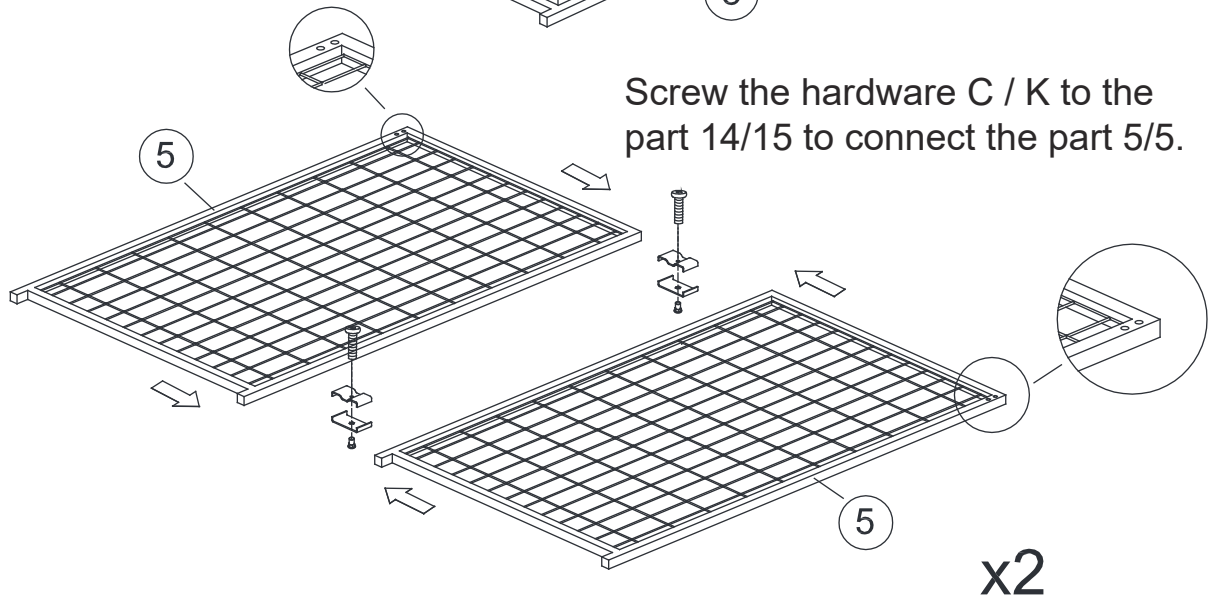
PRODUCT ASSEMBLY

2

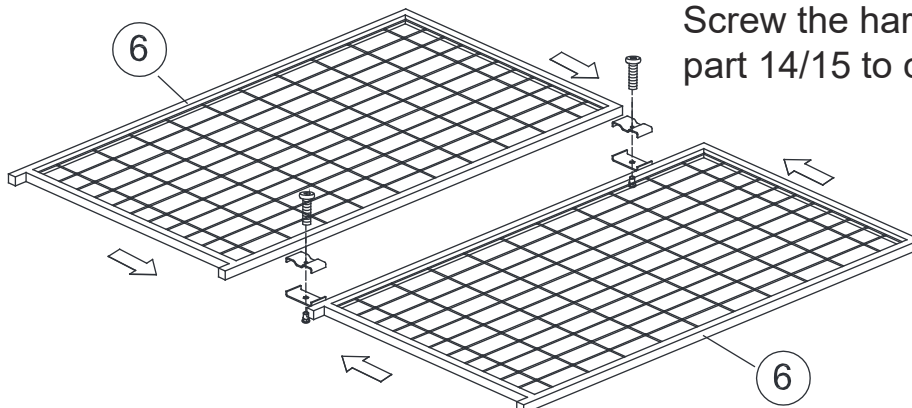
Screw the hardware C / K to the part 14/15 to connect the part 7/8.



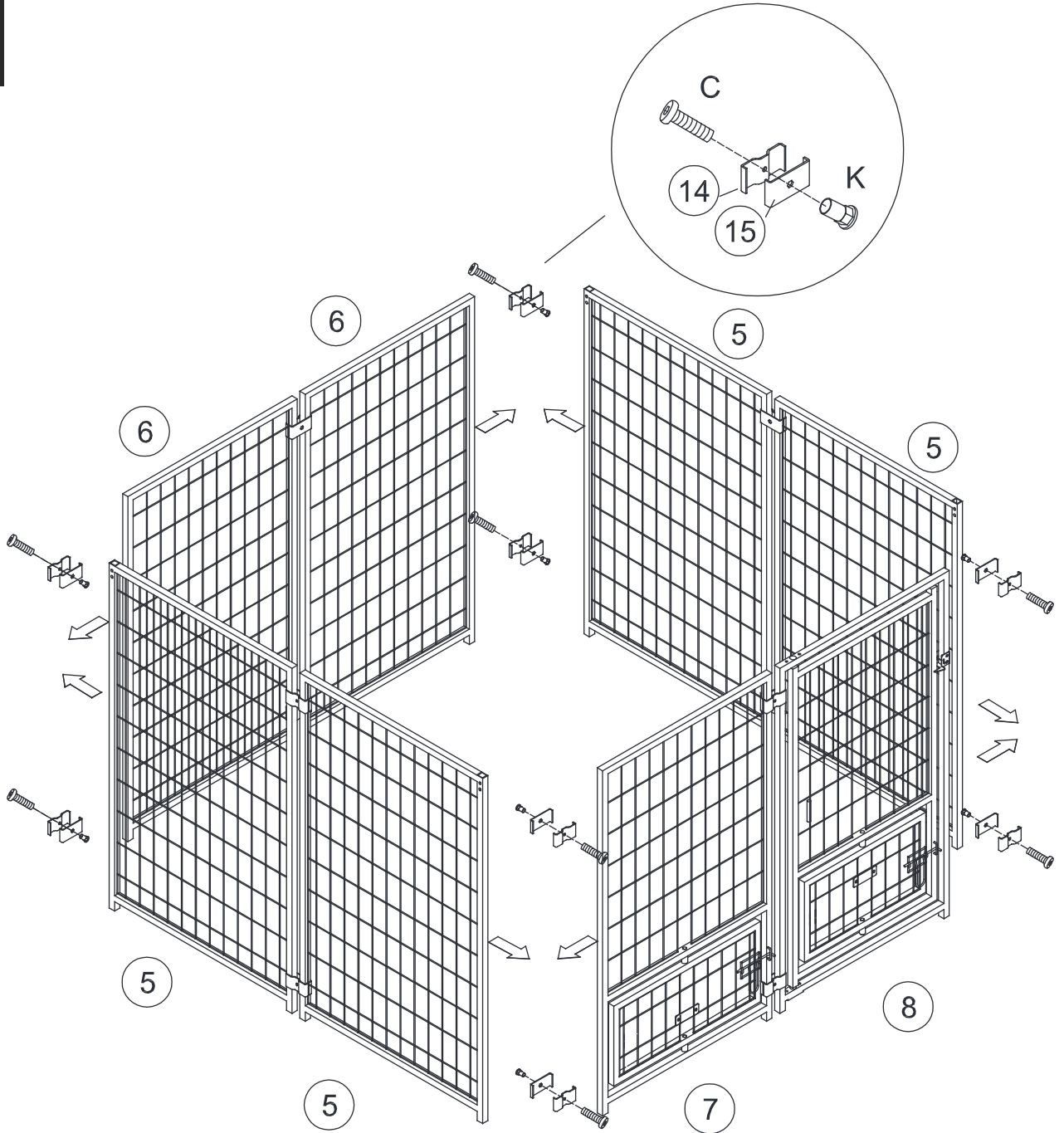
Screw the hardware C / K to the part 14/15 to connect the part 5/5.



Screw the hardware C / K to the part 14/15 to connect the part 6/6.



3

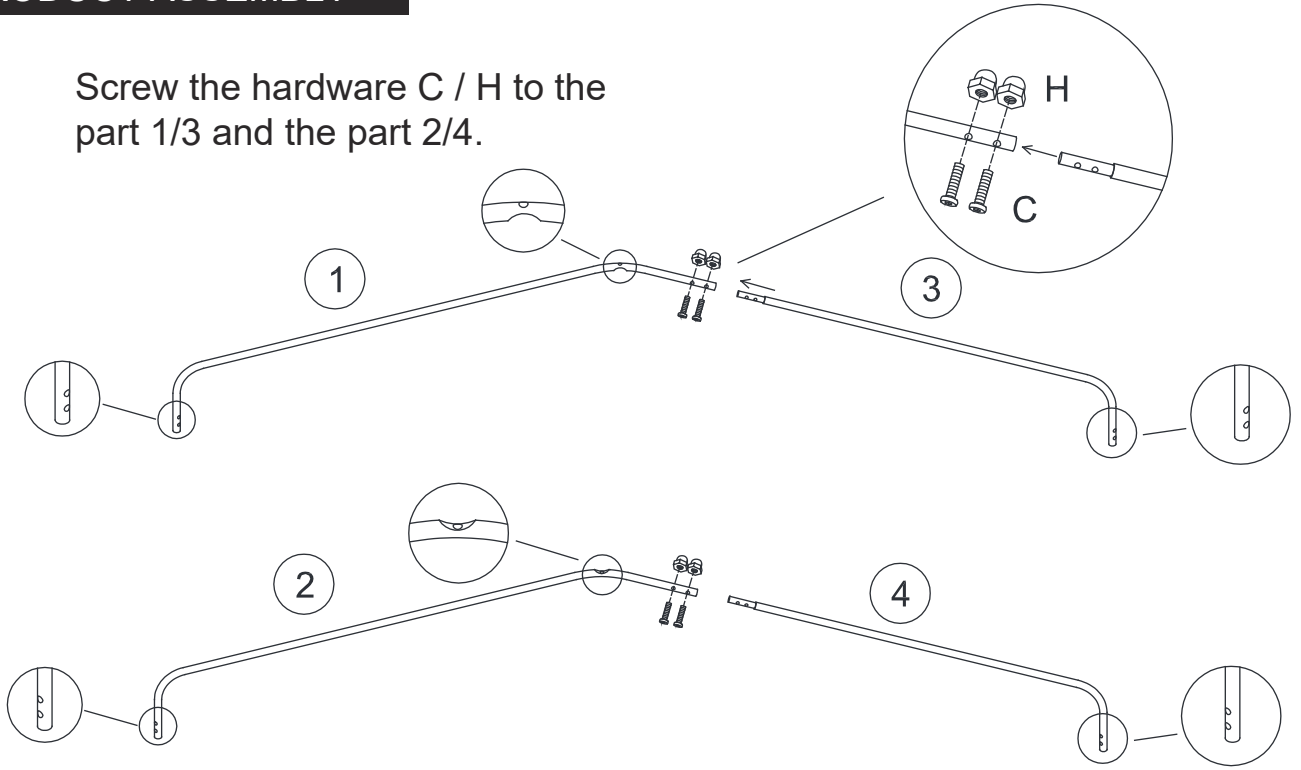


Screw the hardware C / K to the part 14/15 to connect each side as showing.

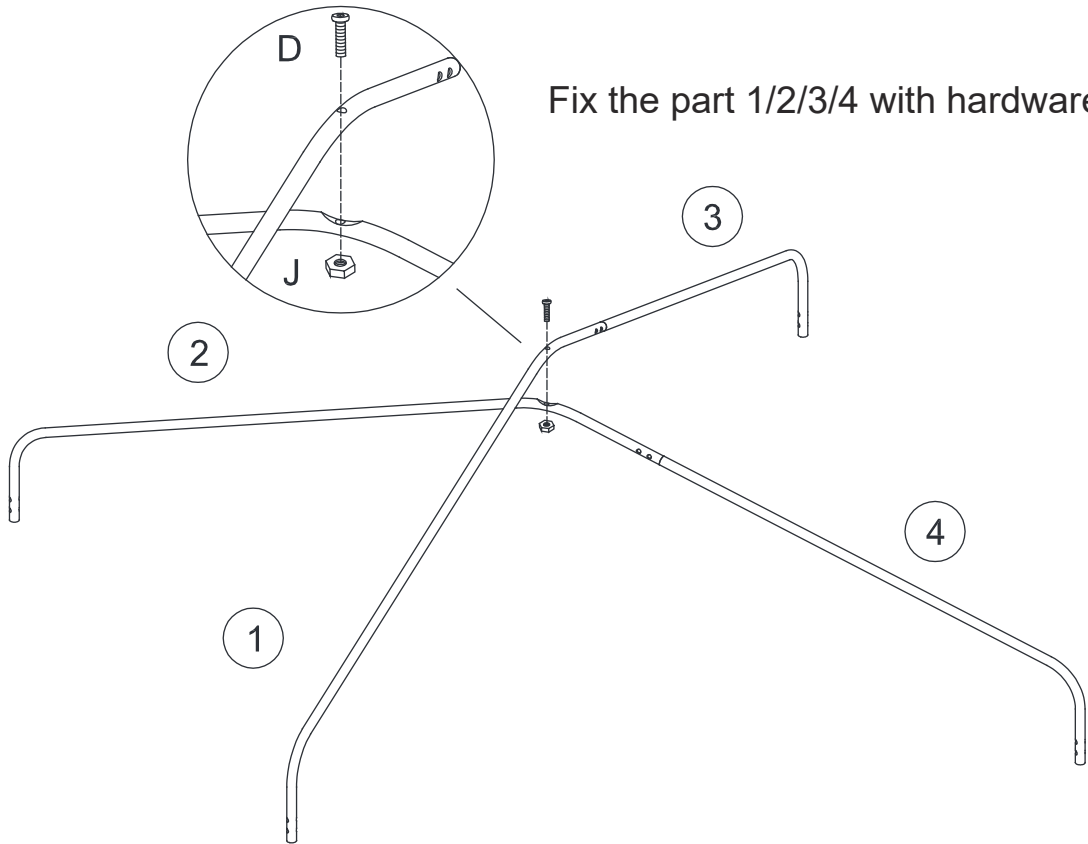
PRODUCT ASSEMBLY

4

Screw the hardware C / H to the part 1/3 and the part 2/4.

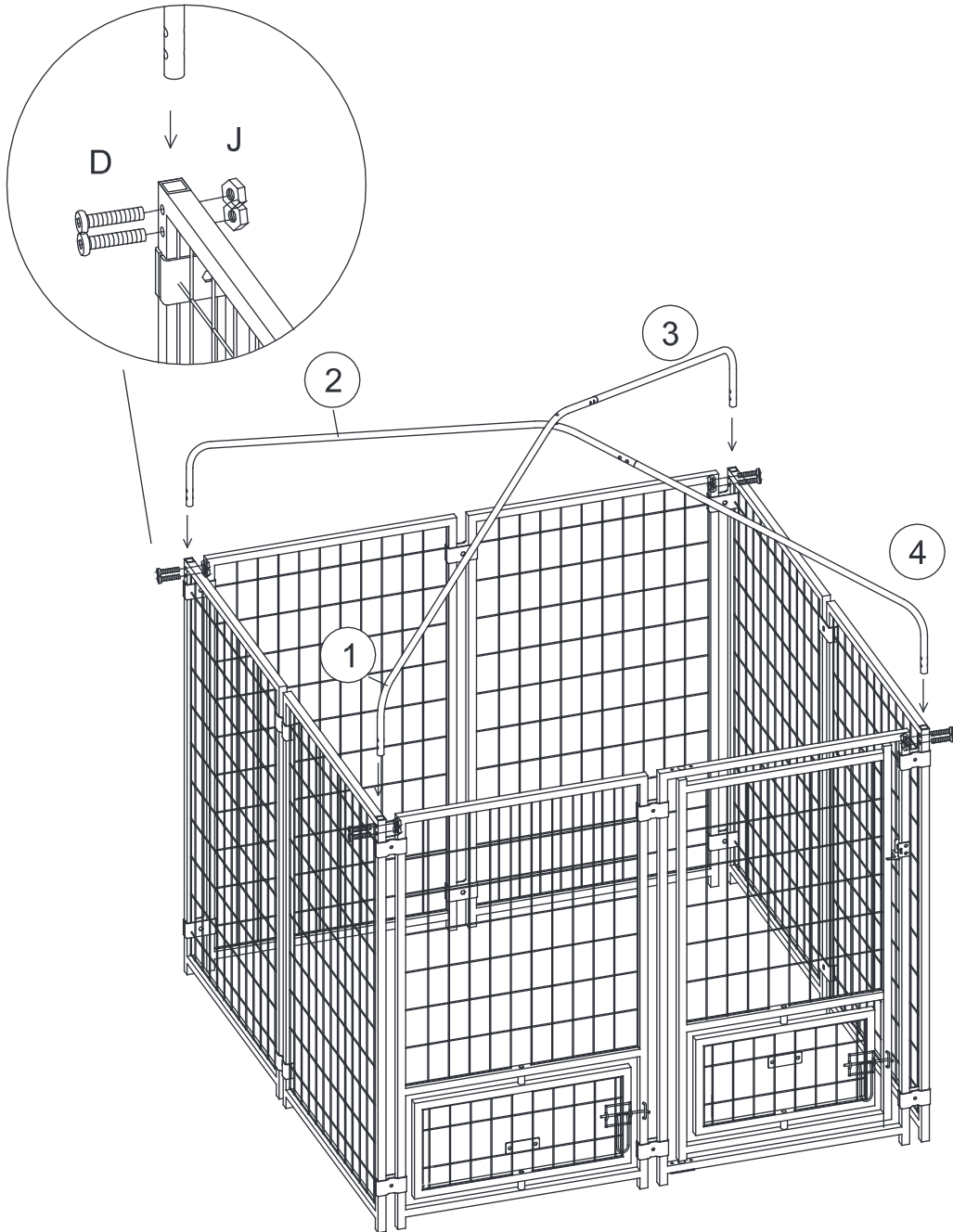


Fix the part 1/2/3/4 with hardware D/J.

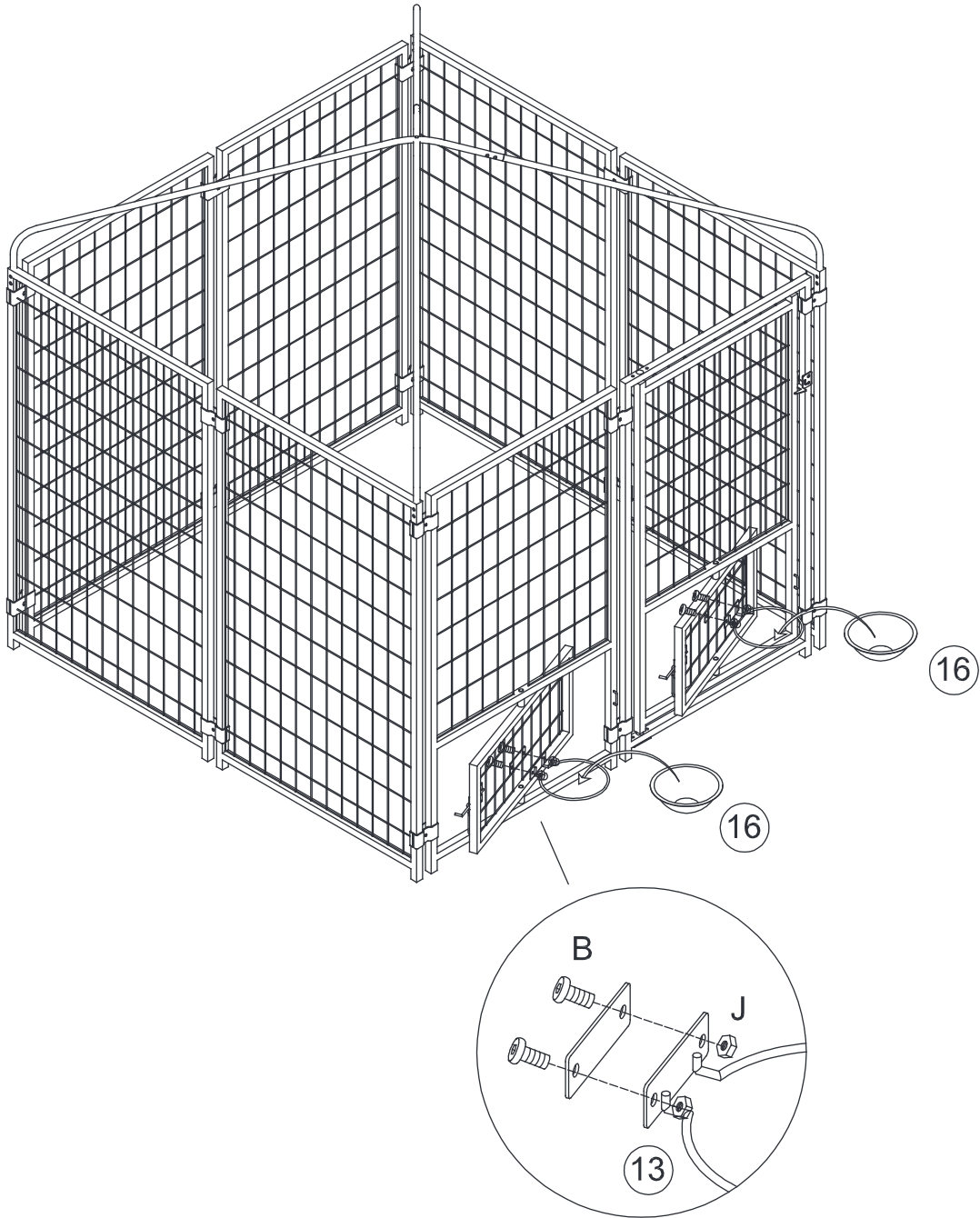


5

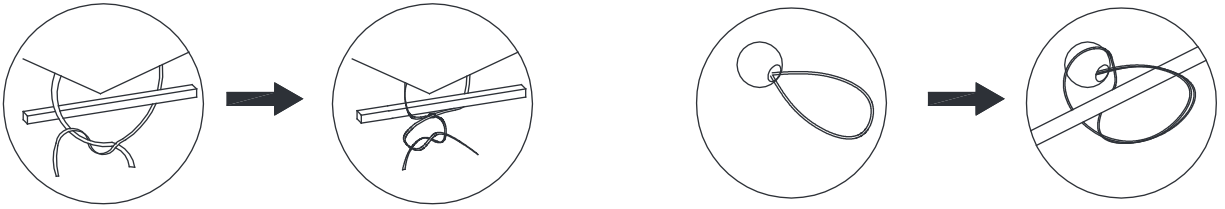
Fix the part 1/2/3/4 to the frame with hardware D/J as showing.



6



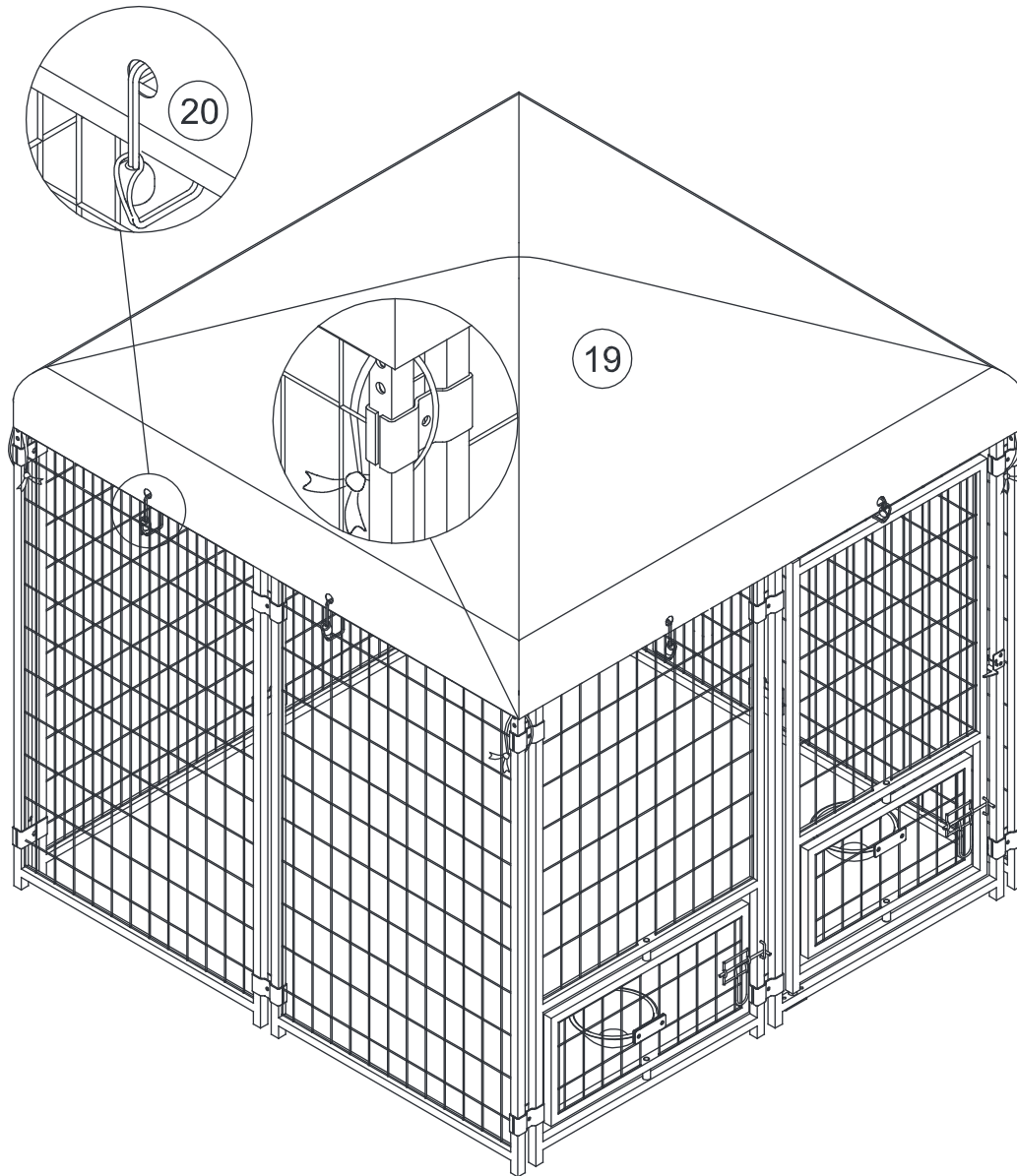
Fix the part 13 with hardware B/J as showing , and then put it on the part 16.



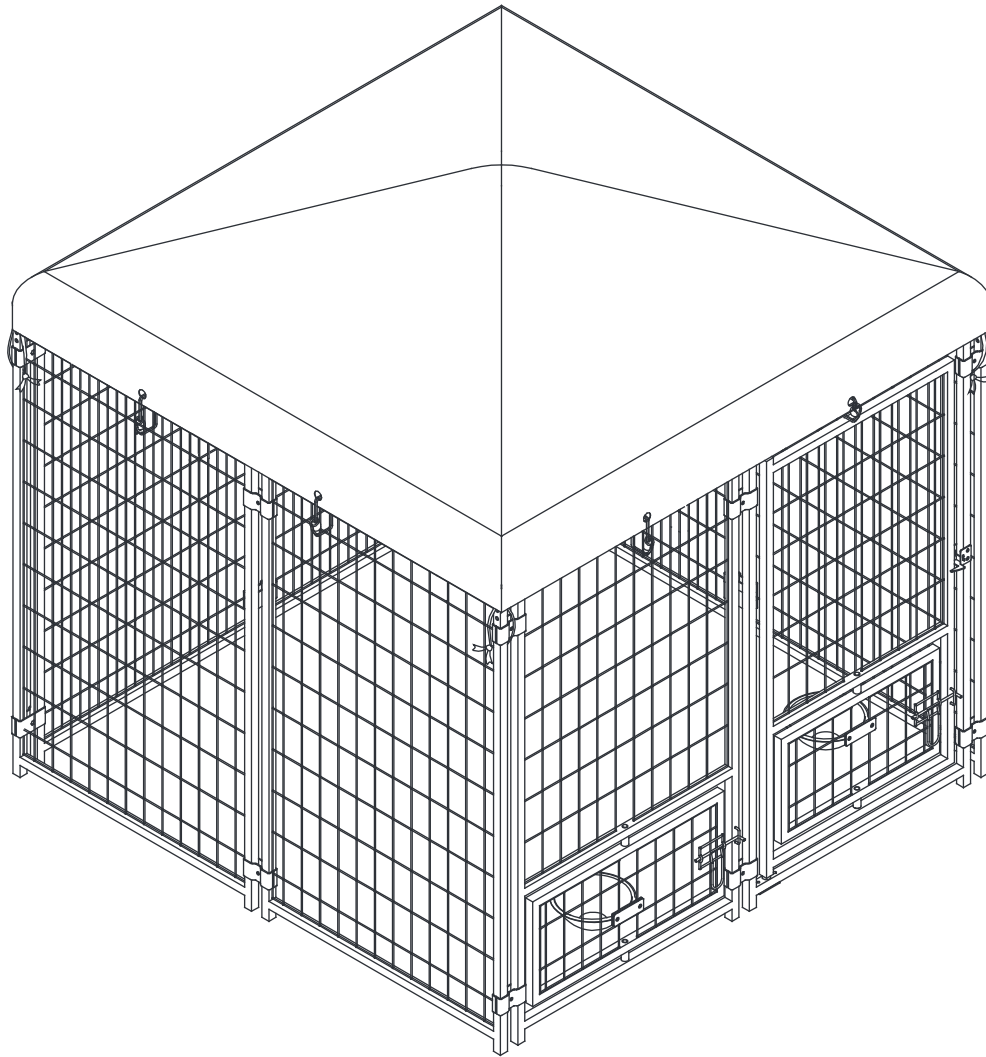
PRODUCT ASSEMBLY

7

Fix the part 19 with the part 20 as showing.



ENJOY YOUR PRODUCT!



CARE AND CLEANING

1. For best results, clean the kennels with a damp cloth and dry thoroughly. This will help prevent mildew by removing dirt particles that may accumulate.
2. Do not clean with abrasive materials, bleach, or solvents.
3. Store the kennels in a dry, sheltered place when not in use.
4. Keep the kennels away from fire, extreme heat, freezing conditions, and inclement weather such as rain, hail, sleet, snow, or wind.