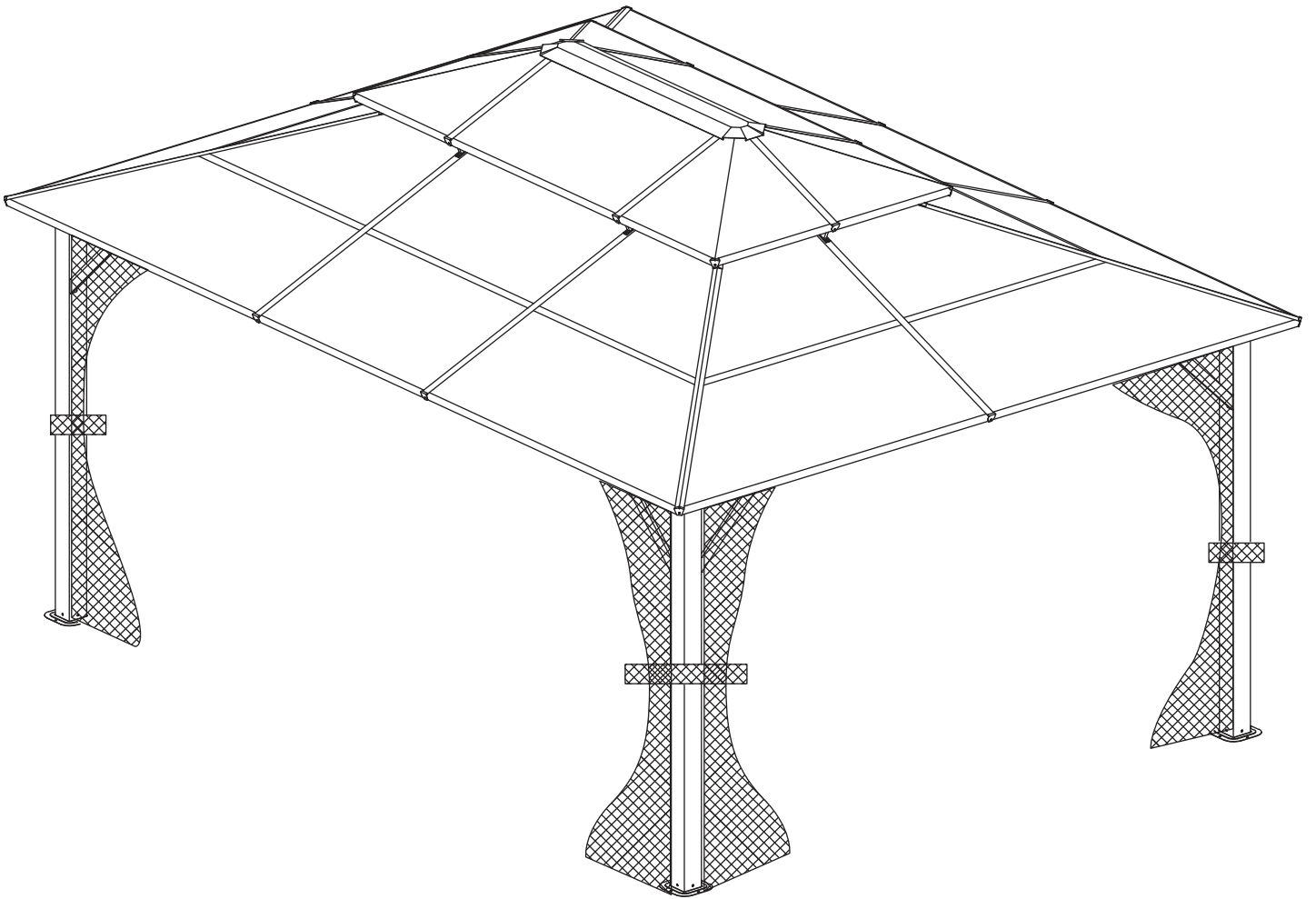




**VEIKOUS**



[www.veikous.com](http://www.veikous.com)



[customerservice@veikous.com](mailto:customerservice@veikous.com)

# STOP

**MISSING A PART?  
CALL US BEFORE GOING  
BACK TO THE STORE**

The store where you made your purchase  
Does not stock parts for this item.

If you have assembly questions or you are missing or  
have damaged parts, please call

1-858-324-1911

(Mon - Sun, 10:00 am to 7:00 pm EST)

you can also e-mail [customerservice@veikous.com](mailto:customerservice@veikous.com)

or visit [www.veikous.com](http://www.veikous.com)

Please prefer email contact. Due to busy lines,  
there may be a wait for calls to be answered.

**Please have the following information ready when you contact us,  
so we can assist you promptly.**






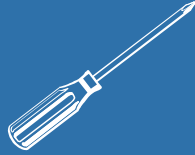

- Order number or PO number ( you can find the info on your invoice, receipt or platform account).
- The model number of the product ( printed on the package box ).
- Description of the part from the parts list.

- 
- Read entire assembly manual, paying special attention to the important tips and safety information .
  - Ensure there are no missing pieces by first separating and identifying all parts.
  - Make sure to check packing material for small parts that may have fallen out during shipment.
  - Structures are not intended for public use. The Company does not warranty any of its residential structures subjected to commercial use such as: Daycare, Preschool, Nursery School, Recreational Park, or any similar Commercial Application.
  - This manual contains helpful information concerning assembly preparation, installation procedure and required maintenance.
  - Always keep safety in mind as your structure is being built.
  - Keep these instructions for future reference.



# TOOLS REQUIRED

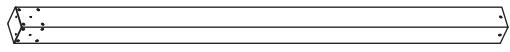
## EQUIPMENT REQUIRED (Not included in boxes)

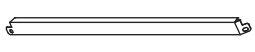
\*NOTE: Tools / equipment are not shown to actual size and scale.

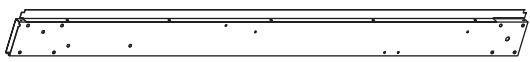
|  |                                      |   |                       |
|--|--------------------------------------|---|-----------------------|
|   | <b>DRILL</b>                         |    | <b>ALLEN KEY</b>      |
|   | <b>SAETY HAT</b>                     |    | <b>GLOCES</b>         |
|  | <b>STEPLADDER</b><br>(6.5Ft Or More) |  | <b>PHILLIPS SCREW</b> |
|  | <b>SAFETY GOGGLES</b>                |   |                       |

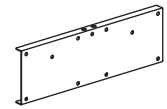
## Matters needing attention

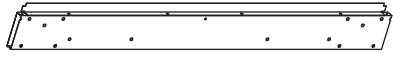
|   |  |   |   |
|---|--|---|---|
|  | <b>Three or more people are required for assemblee</b> |  | <b>Do not fully tighten screws prior to complete assembly</b> |
|---|--|---|---|

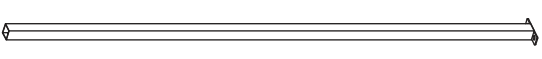
 **A** x 4

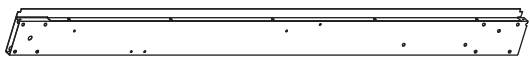
 **F4** x 4

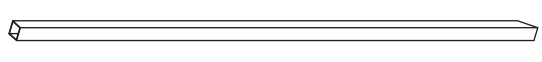
 **B** x 4


 **G** x 6

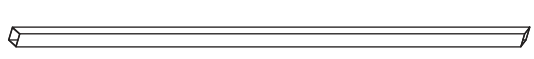
 **B1** x 2

 **H** x 2

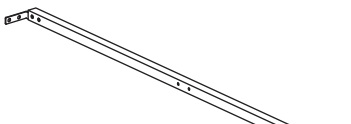
 **B2** x 4

 **H1** x 4

 **C** x 6

 **H2** x 4

 **D** x 4

 **I** x 2


 **D1** x 4

 **I1** x 4

 **D2** x 4

 **I2** x 4

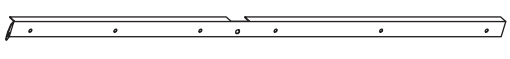
 **D3** x 4

 **J** x 4


 **E** x 6

 **J1** x 4

 **E1** x 6

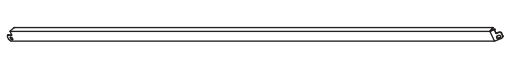
 **K** x 2

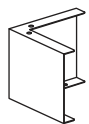
 **E3** x 6

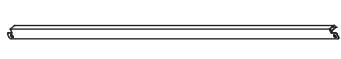
 **K1** x 2

 **F** x 4

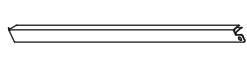
 **K2** x 2

 **F1** x 4

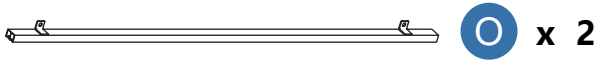
 **L** x 4

 **F2** x 4

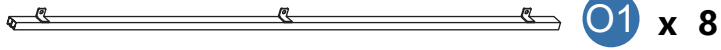
 **L1** x 6

 **F3** x 4

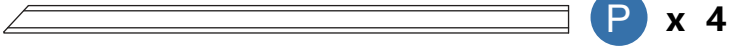
 **L2** x 16



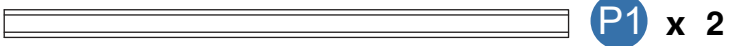
**O** x 2



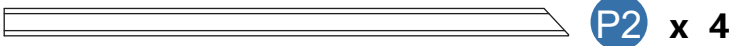
**O1** x 8



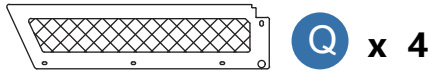
**P** x 4



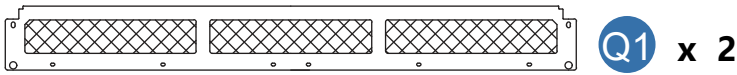
**P1** x 2



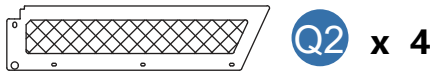
**P2** x 4



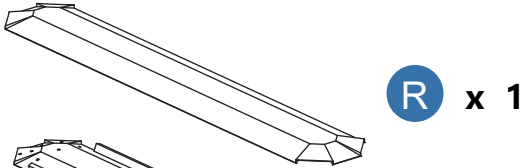
**Q** x 4



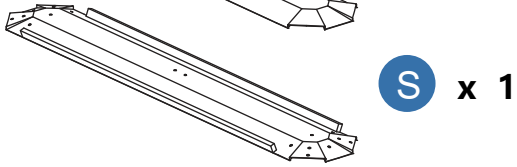
**Q1** x 2



**Q2** x 4



**R** x 1



**S** x 1



**T1** x 4



**X** x 12



**Y** x 12



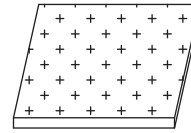
**Y1** x 4



**Y2** x 6

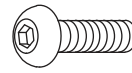


**Z** x 56+3



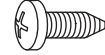
**Net** x 4

M6x15mm



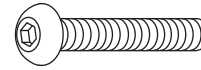
**U** x 290+8

St4.8x12mm



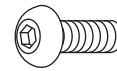
**U1** x 70+6

M6x30mm



**U3** x 20+2

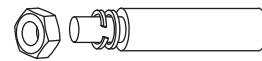
M6x10mm



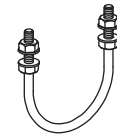
**U4** x 72+4



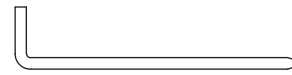
**V1** x 2



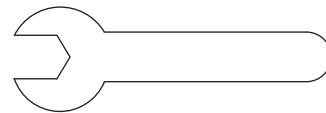
**V2** x 16



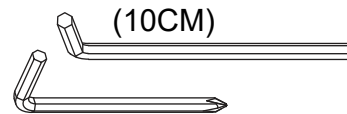
**V3** x 1



**V4** x 16

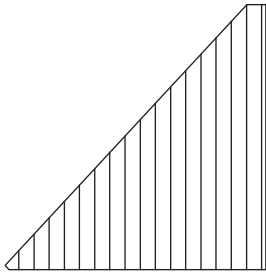


x 1

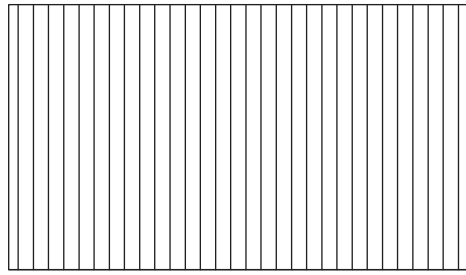


(10CM)

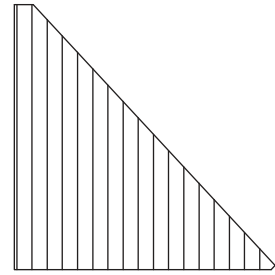
**S4** x 1



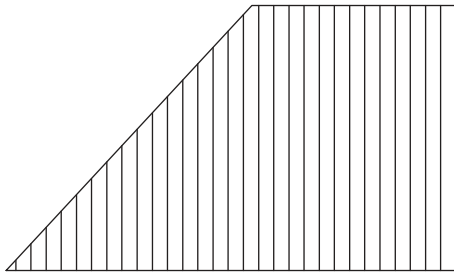
**M** x 4



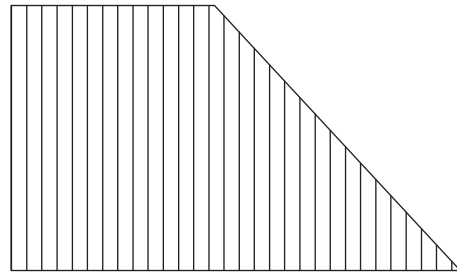
**N4** x 6



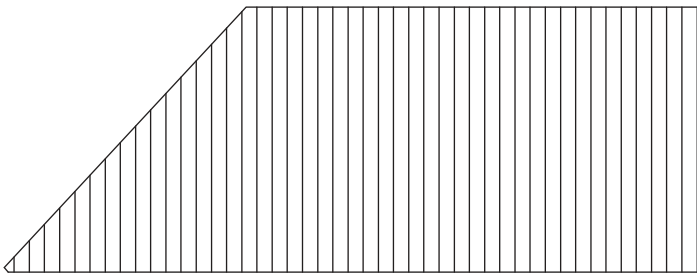
**M1** x 4



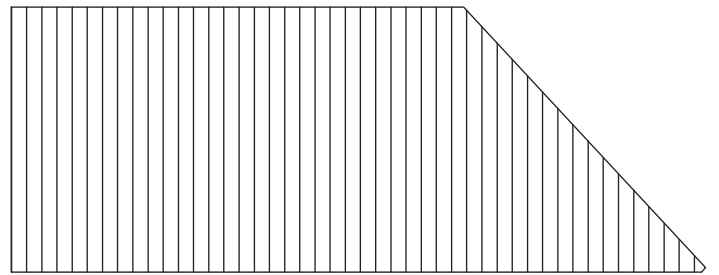
**N** x 4



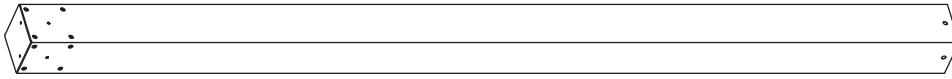
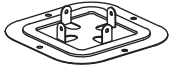
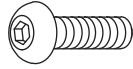
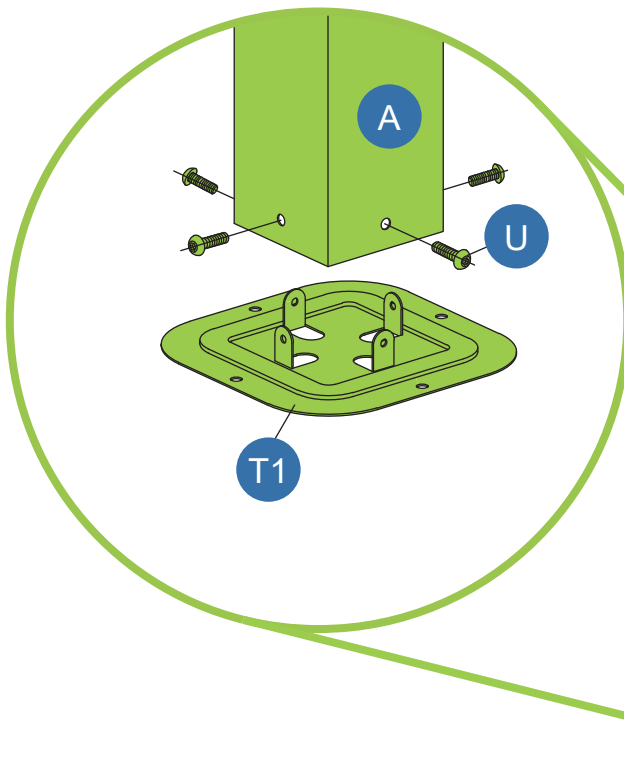
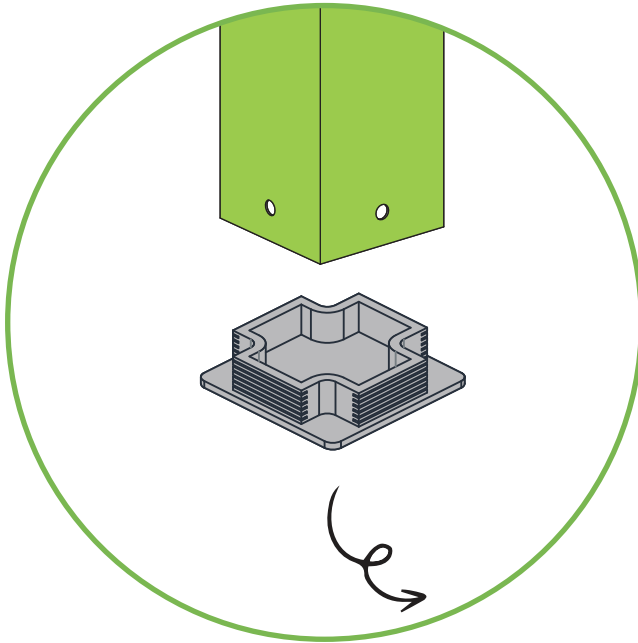
**N1** x 4



**N2** x 4

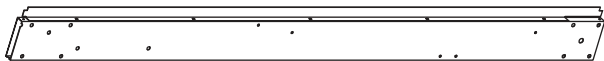
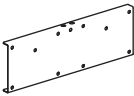


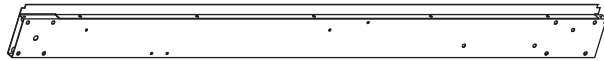
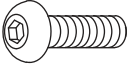
**N3** x 4


**1****A** x 4**T1** x 4**U** x 16**x4**

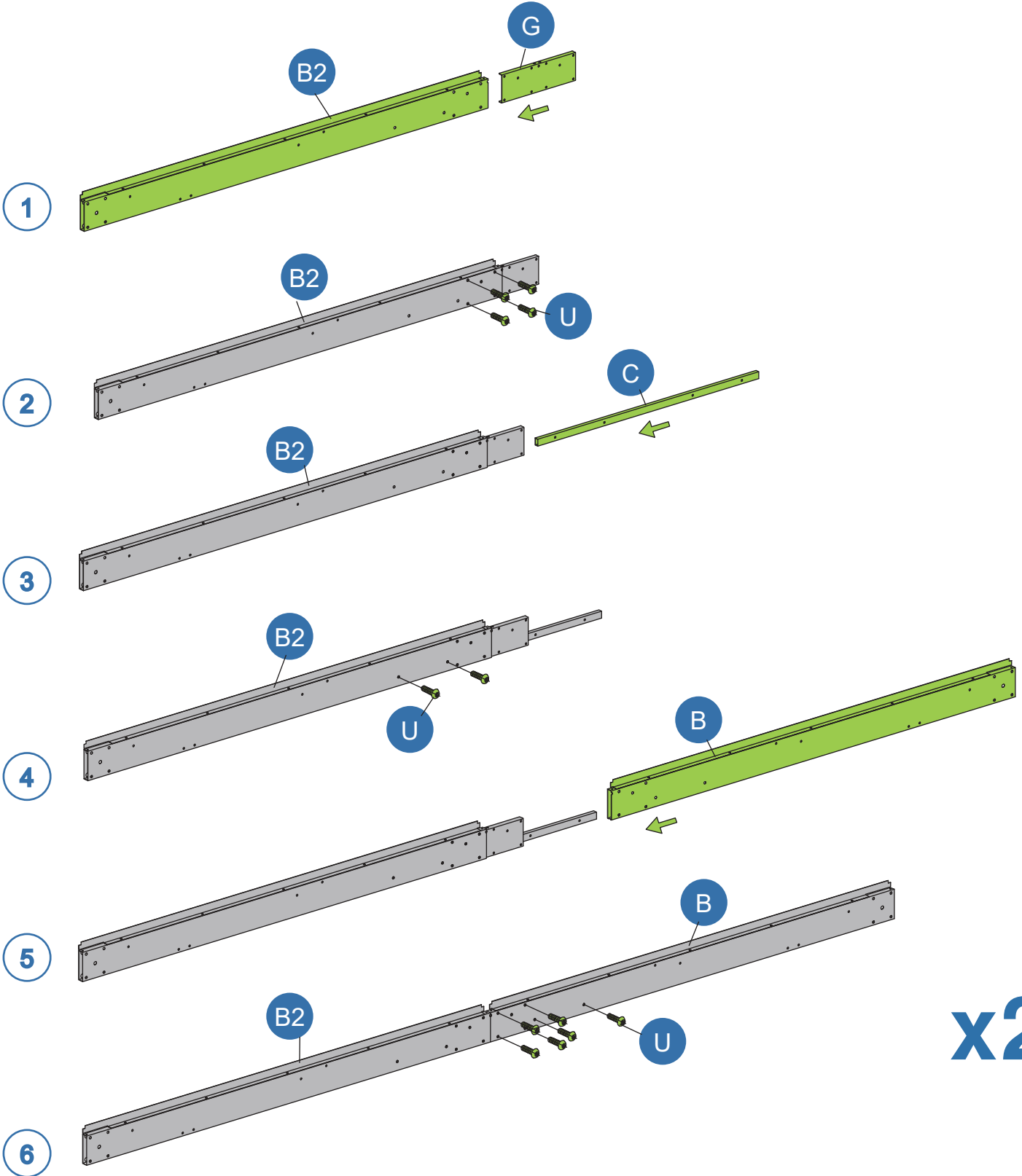
Attach part "T1" to the bottom of part "A" and secure it with 4 screws "U".  
Note: Remove the plug at the bottom of part A before assembly. Repeat the above steps to connect the remaining sections.

2

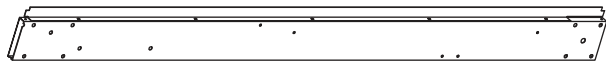
 **B** x 2      **G** x 2

 **B2** x 2      **U** x 24

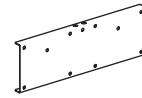
 **C** x 2



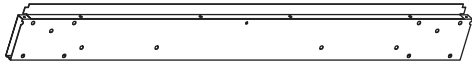
3



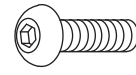
B x 2



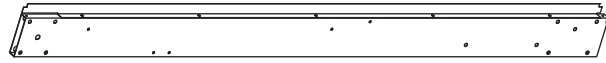
G x 4



B1 x 2



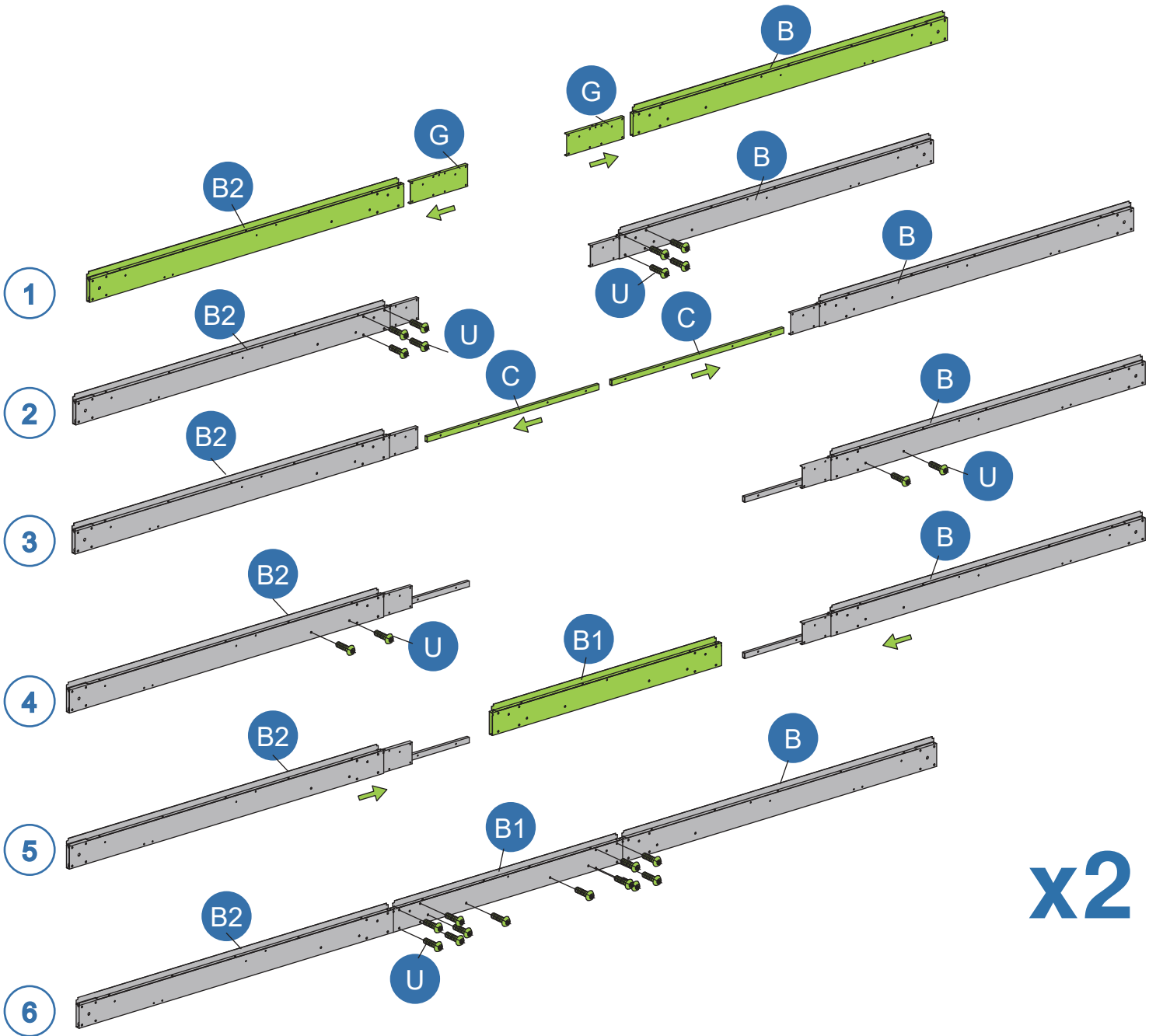
U x 48



B2 x 2



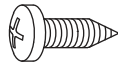
C x 4



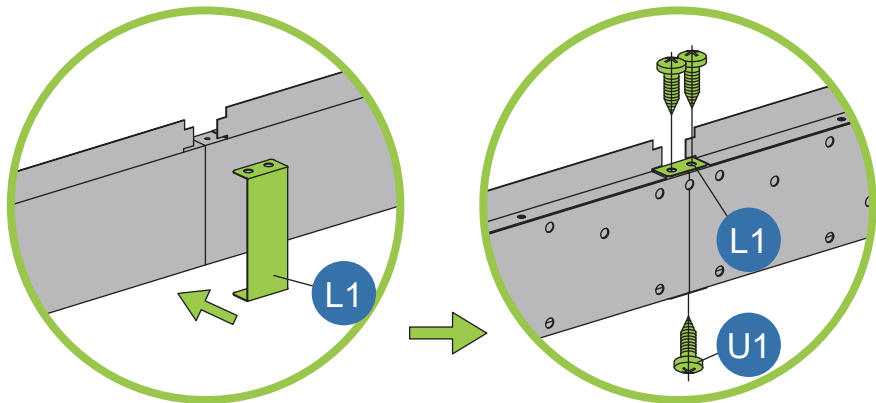
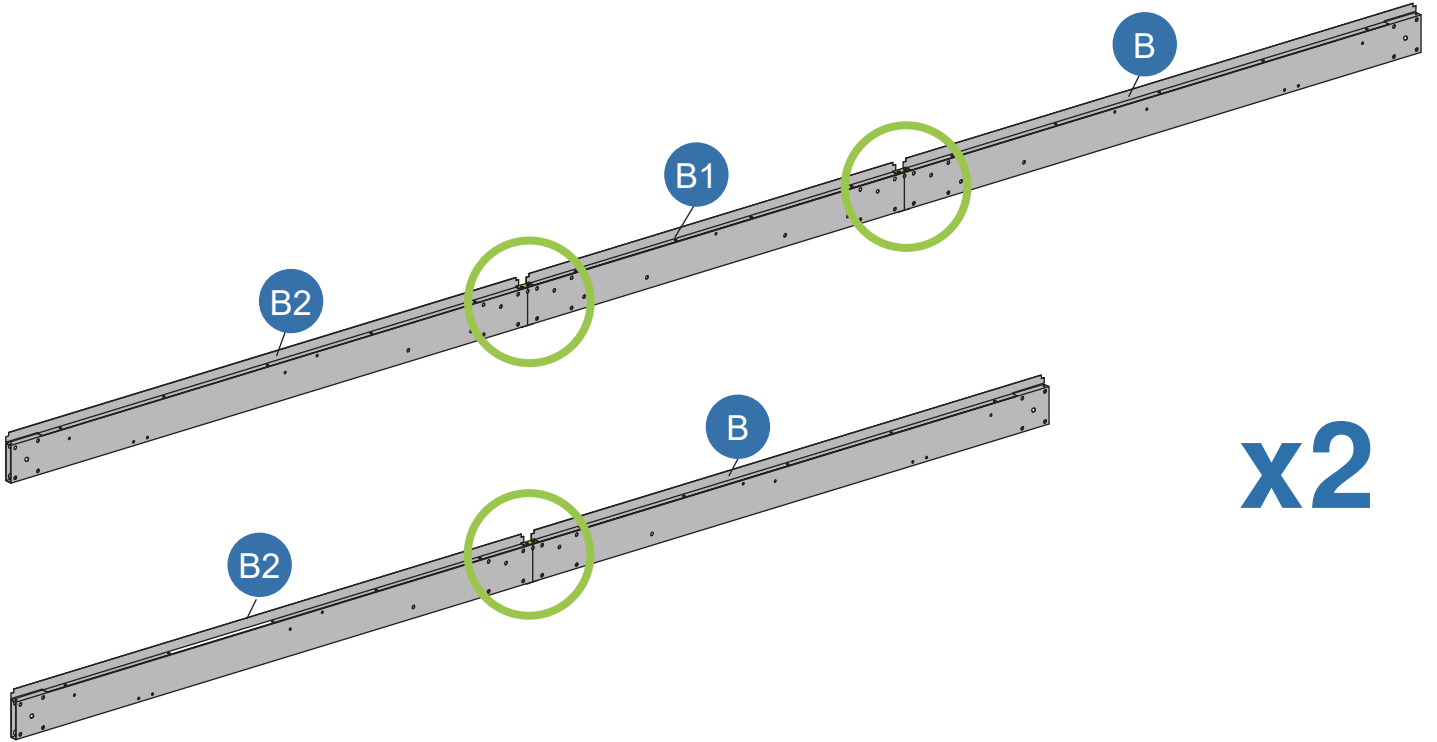
4



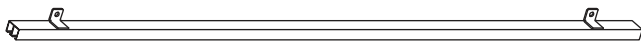
L1 x 6



U1 x 18



5-1



O x 2



O1 x 8

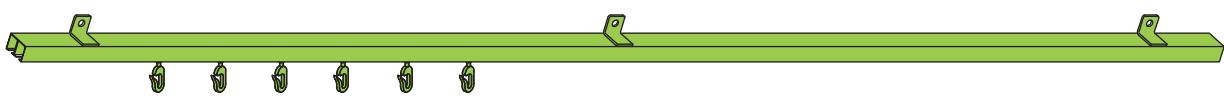


Z x 56



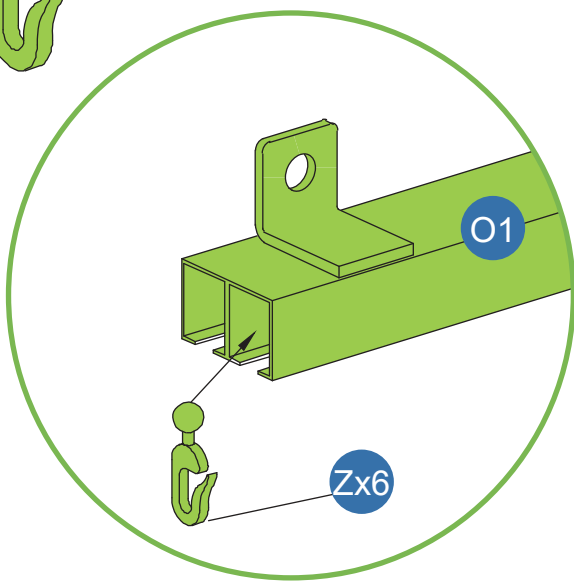
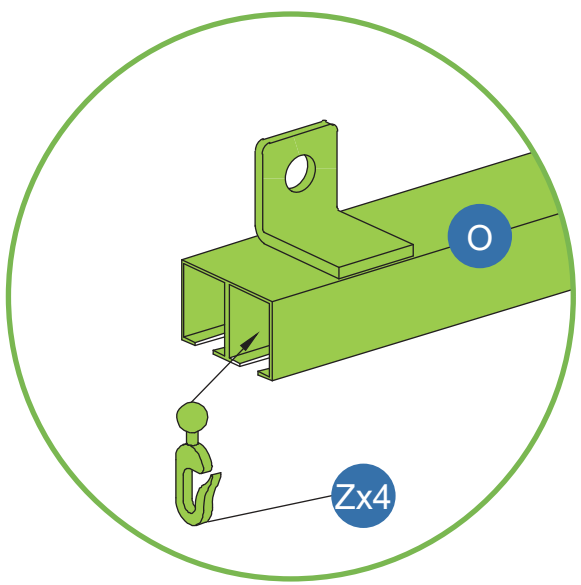
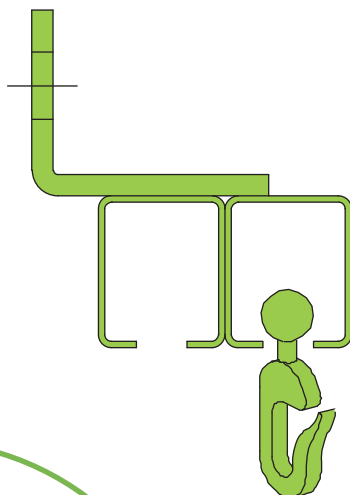
O x 2

Z x 4



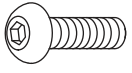
O1 x 8

Z x 6

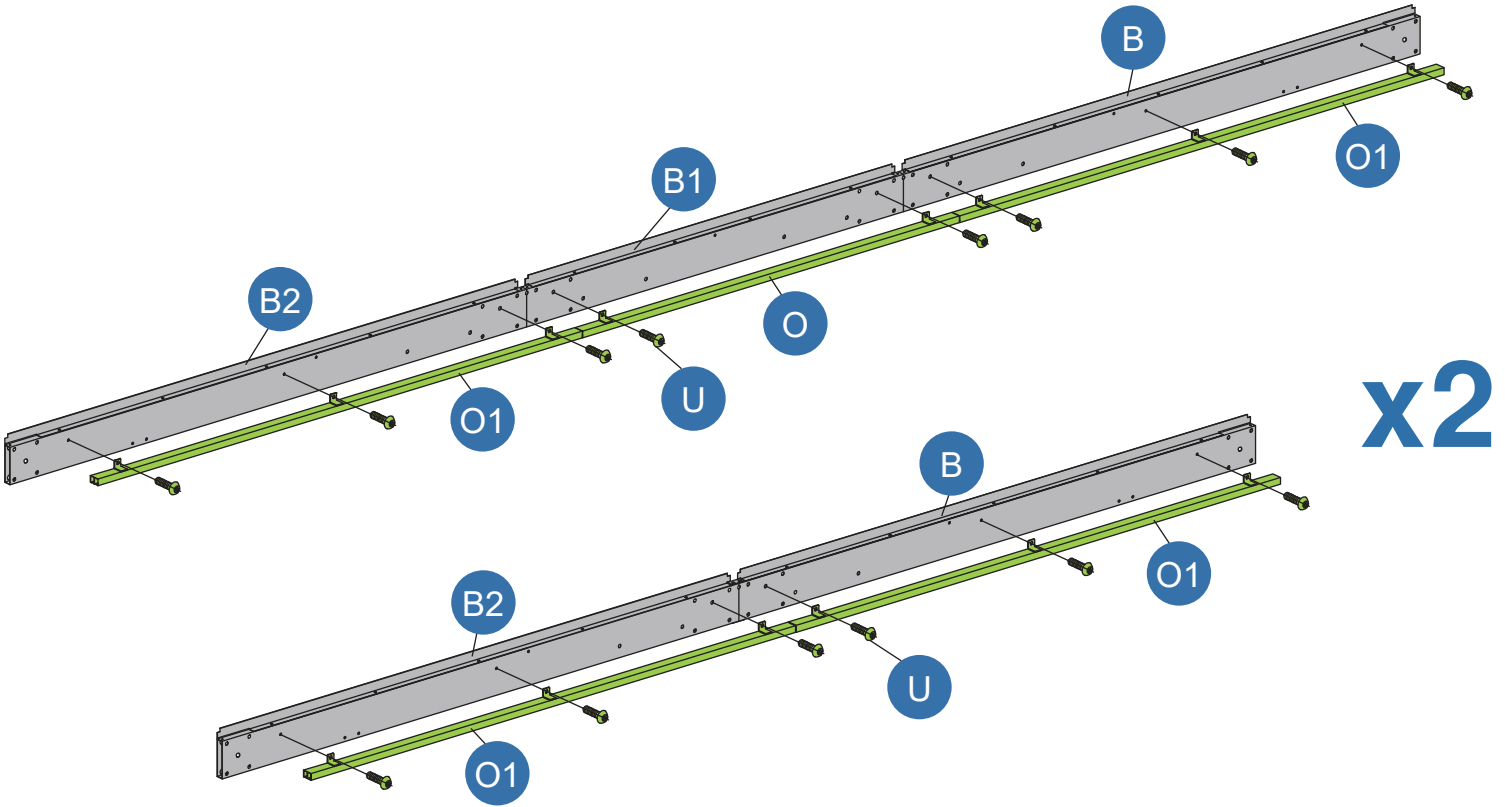


Install "Z" hooks in the quantity shown. Note: Insert the hooks into the outer track.

5-2

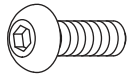


U x 28

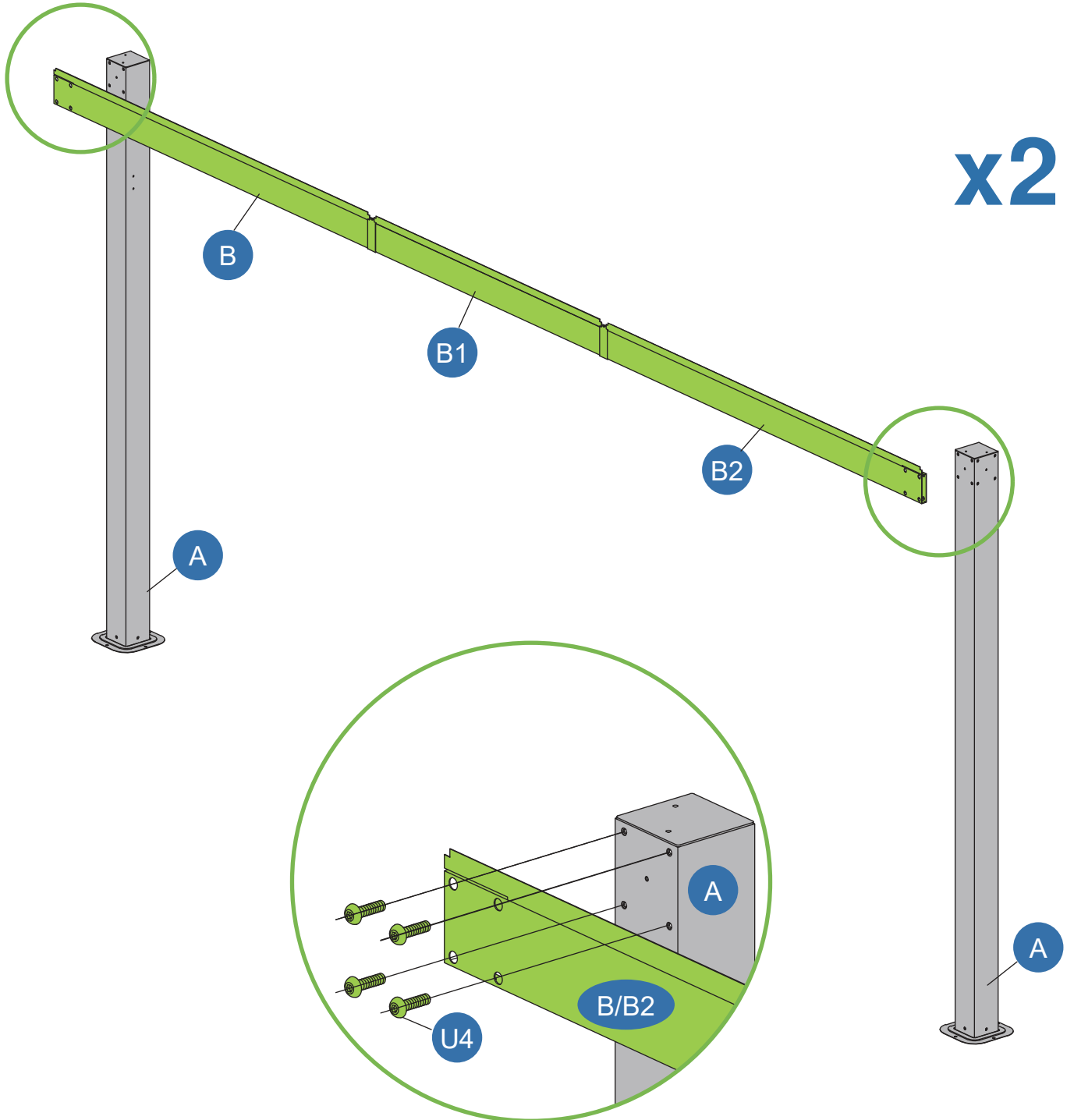


x2

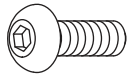
6



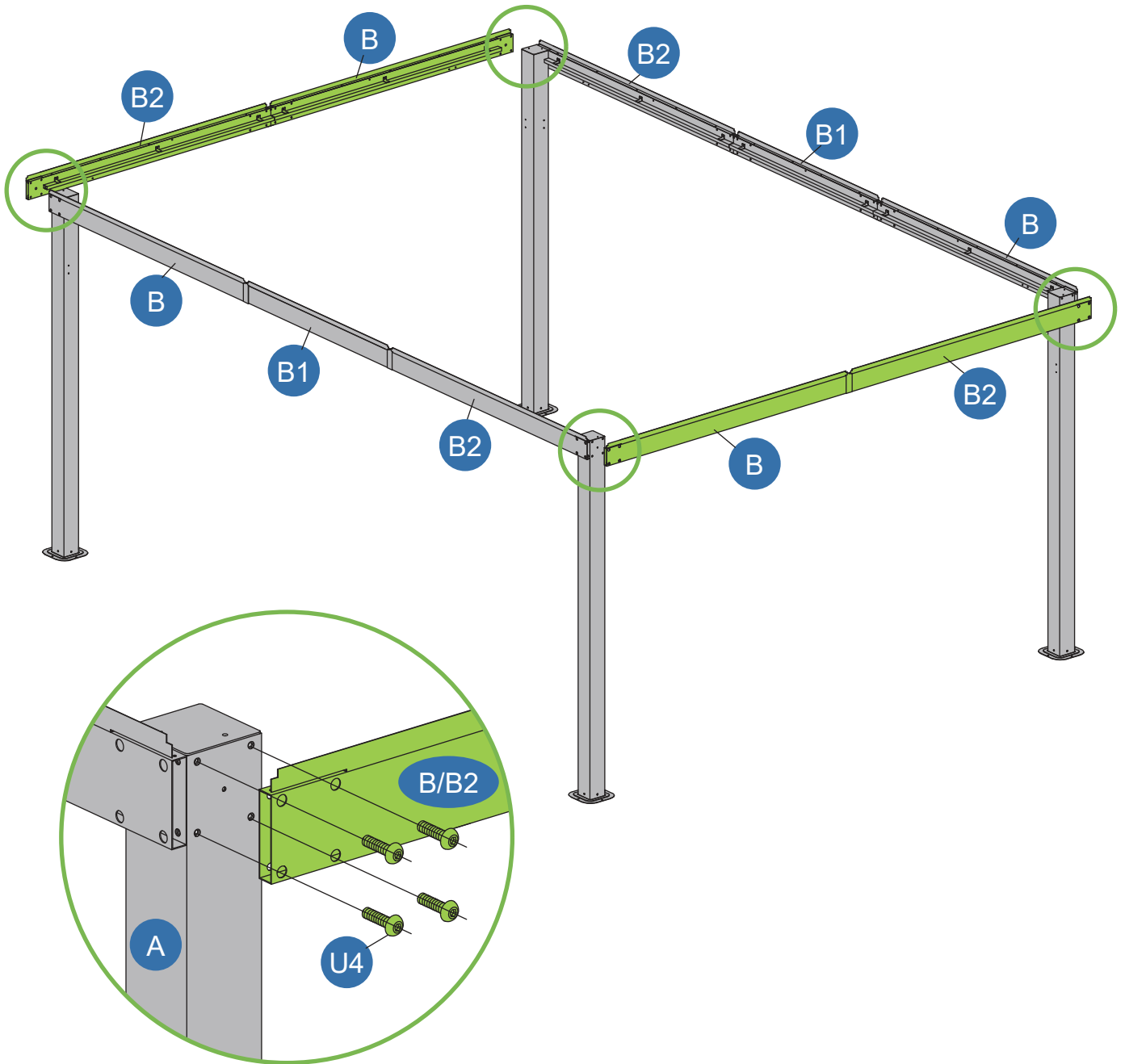
U4 x 16



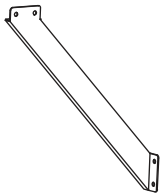
7



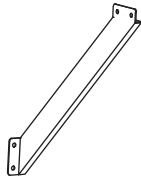
U4 x 16



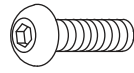
8



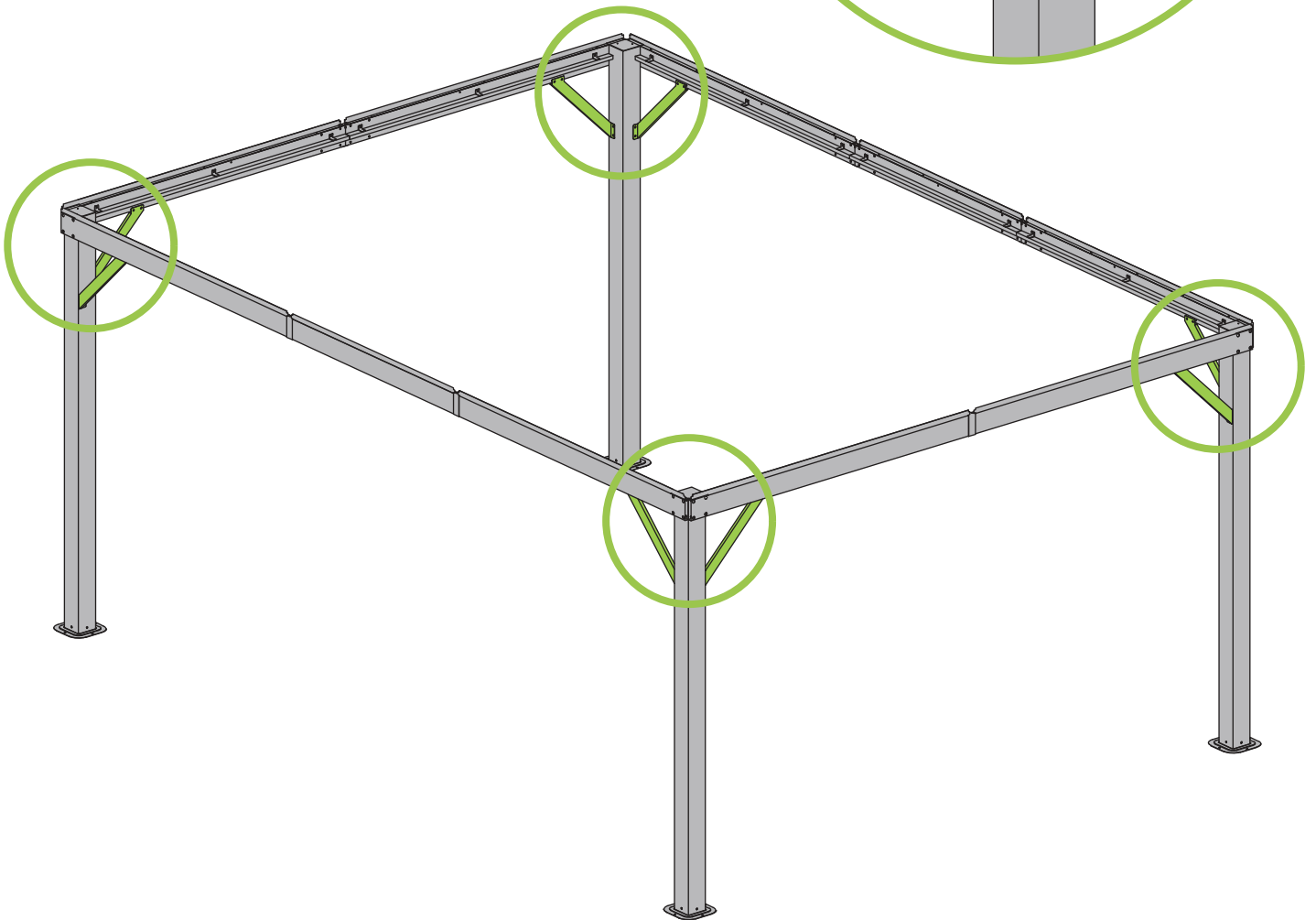
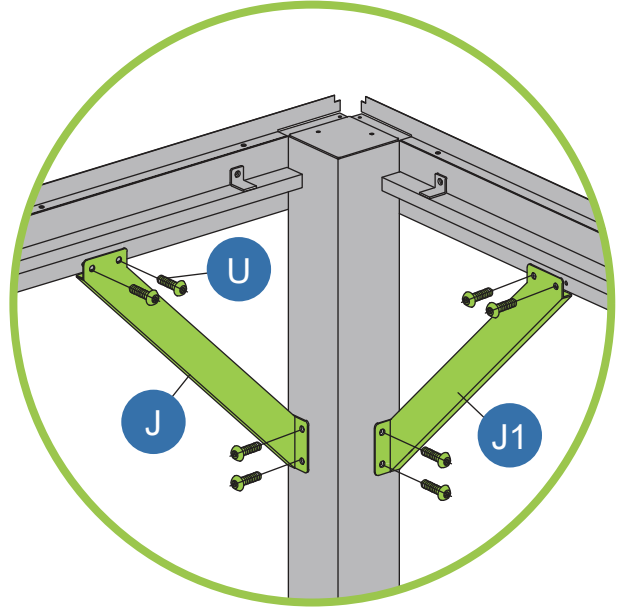
J x 4



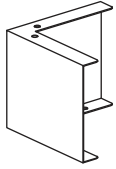
J1 x 4



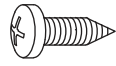
U x 32



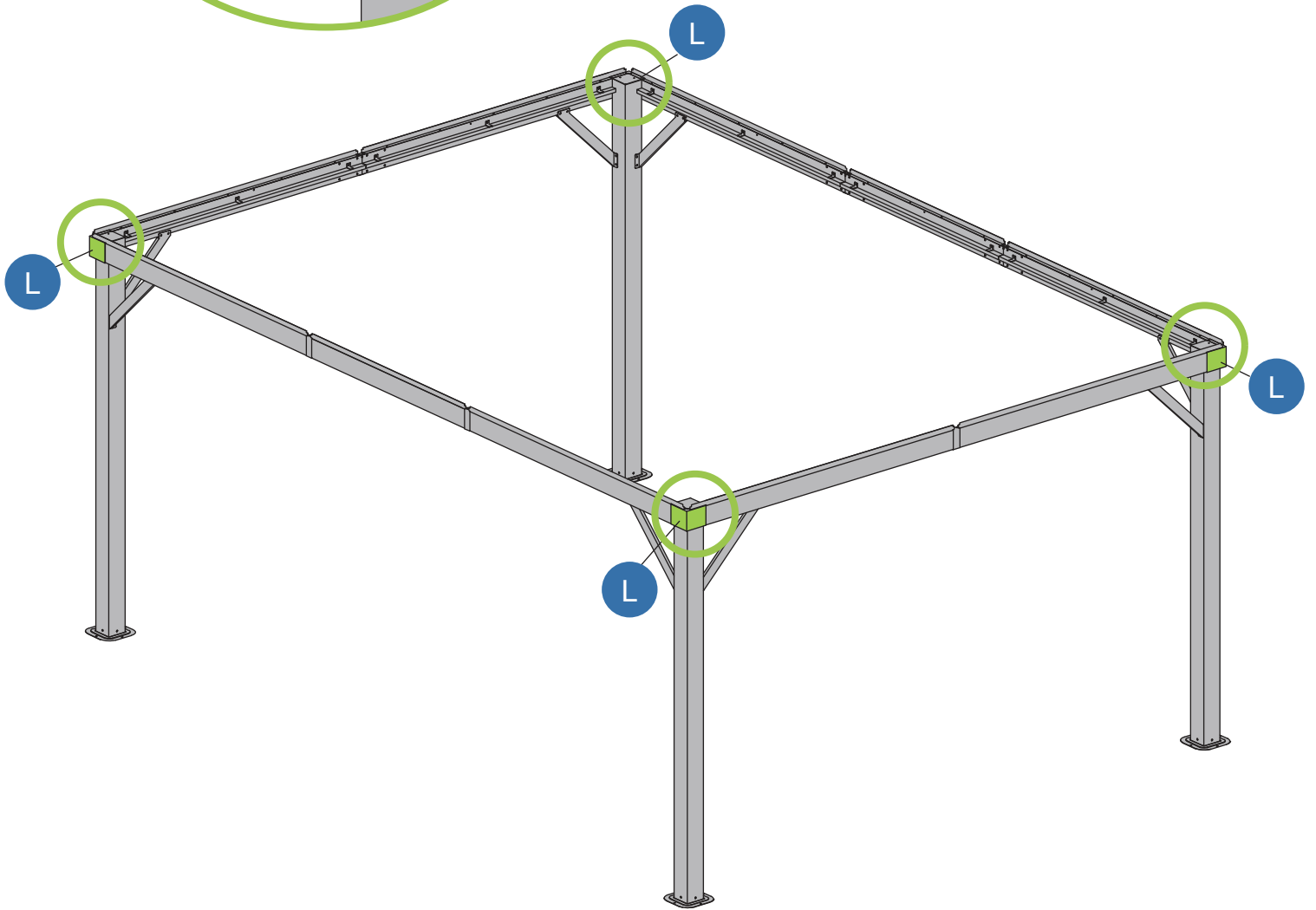
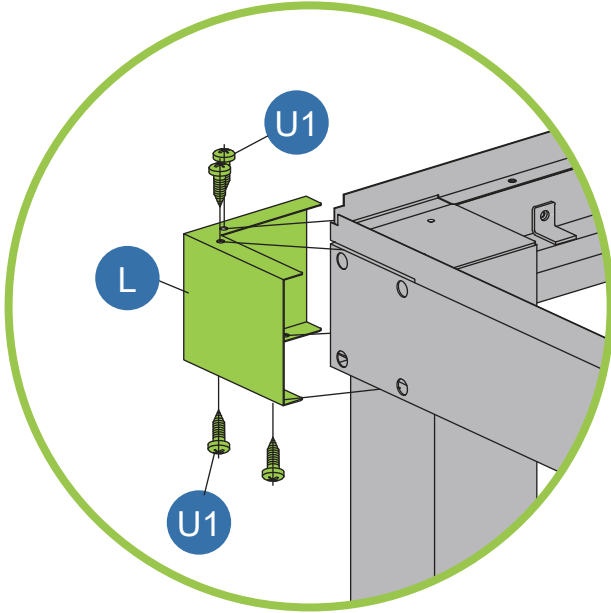
9



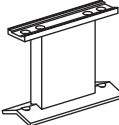
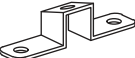




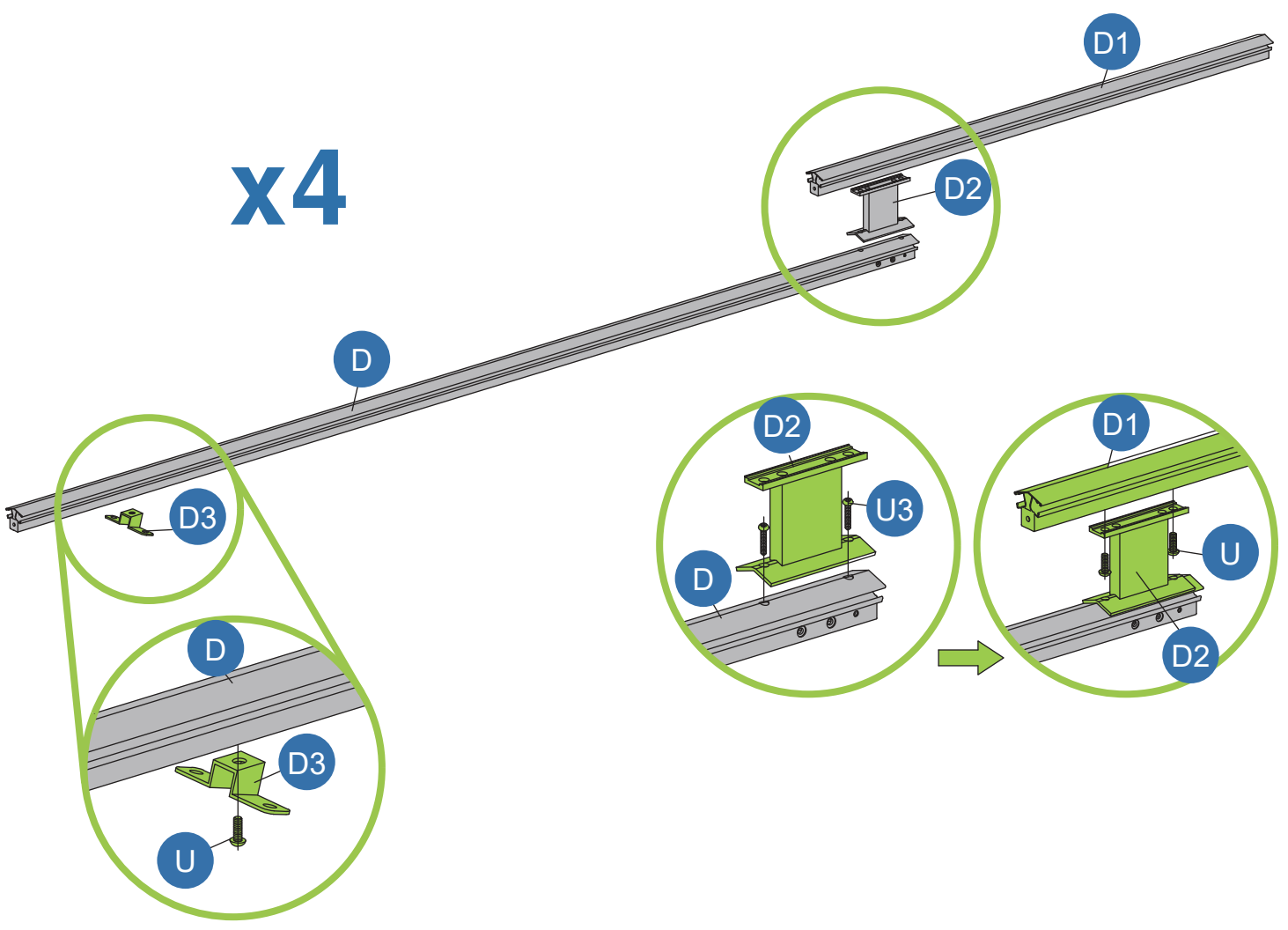
L x 4

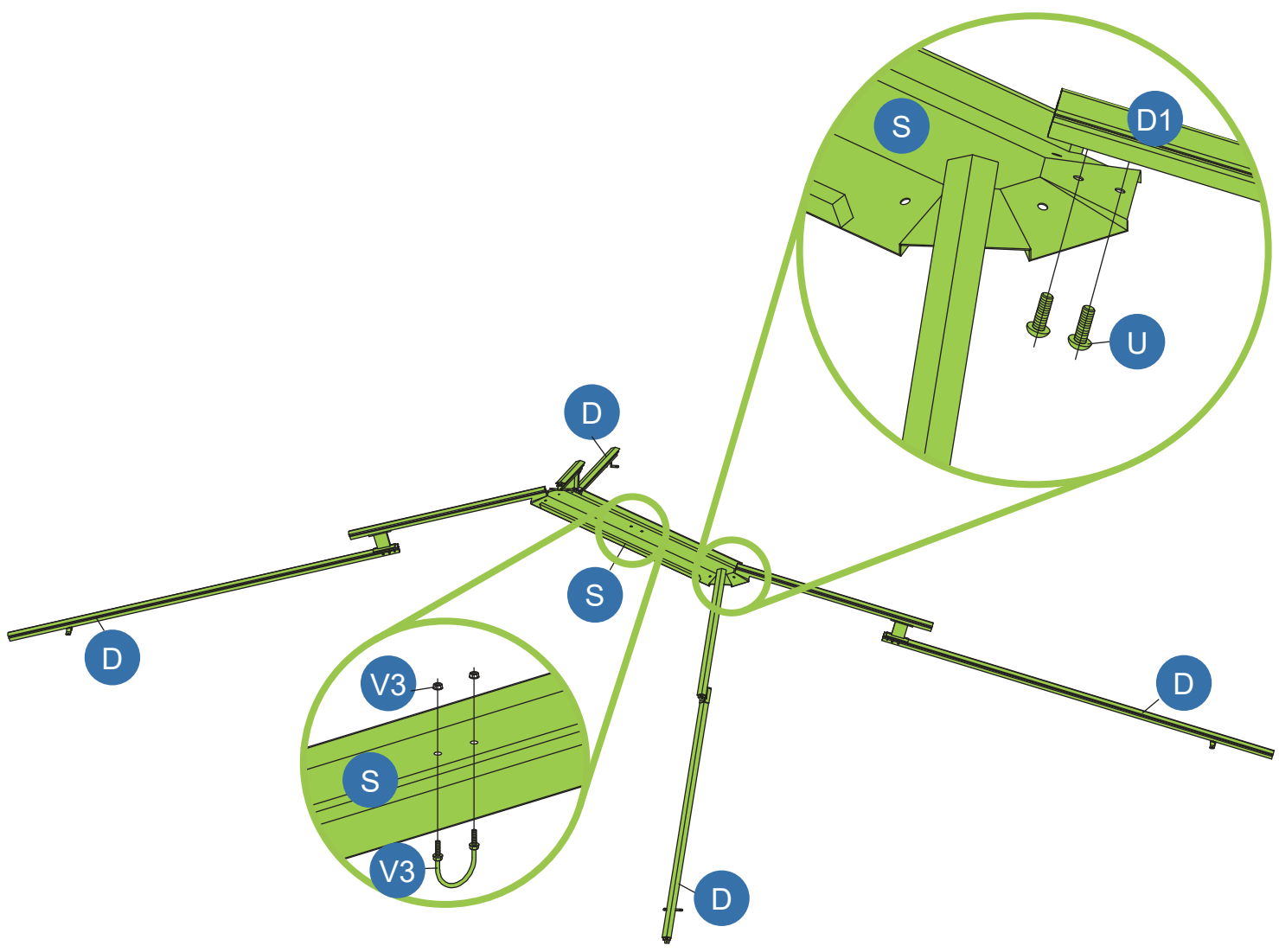
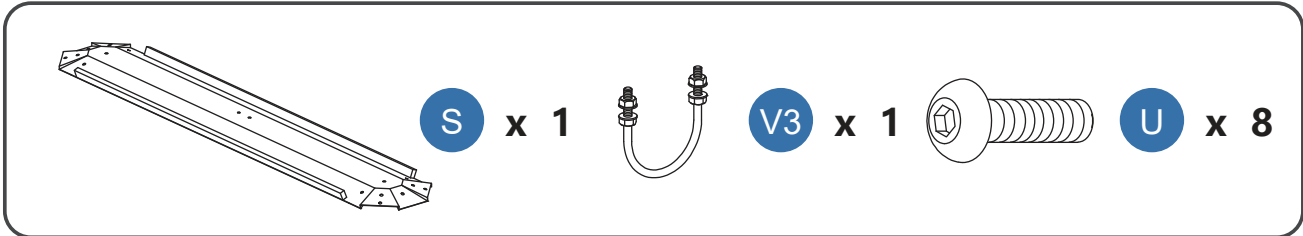


U1 x 16

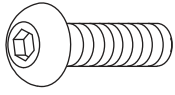


-  **D** x 4
-  **D1** x 4
-  **D2** x 4
-  **D3** x 4
-  **U** x 12
-  **U3** x 8

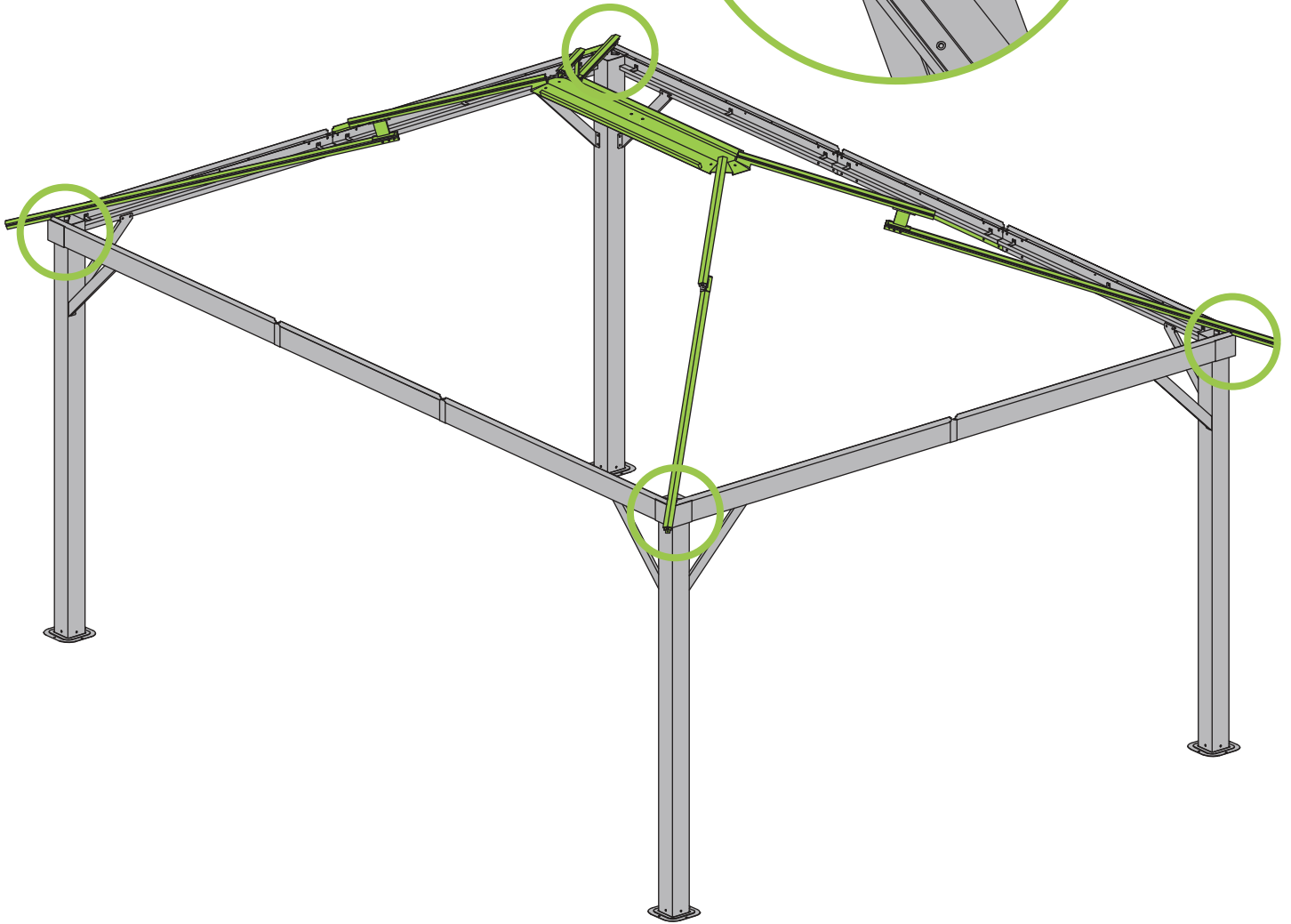
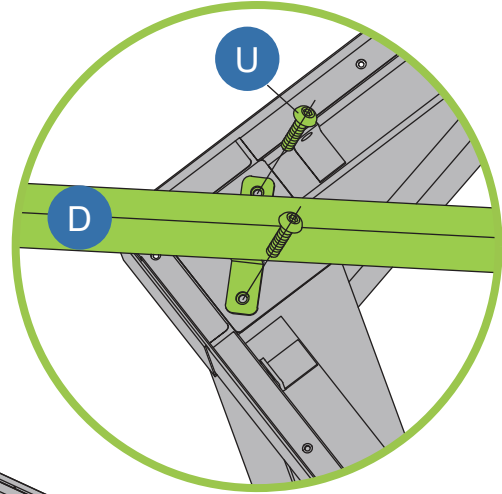


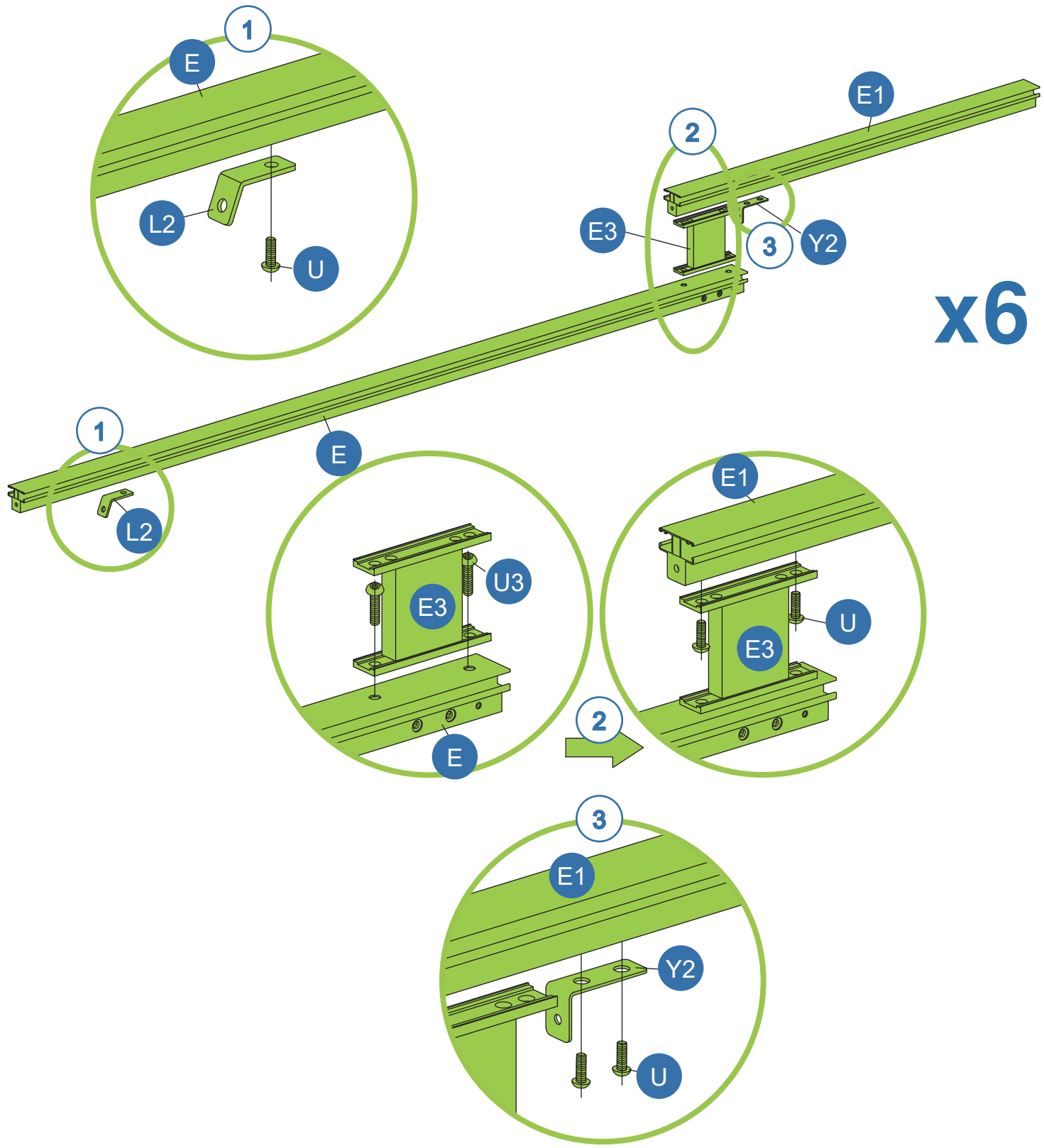
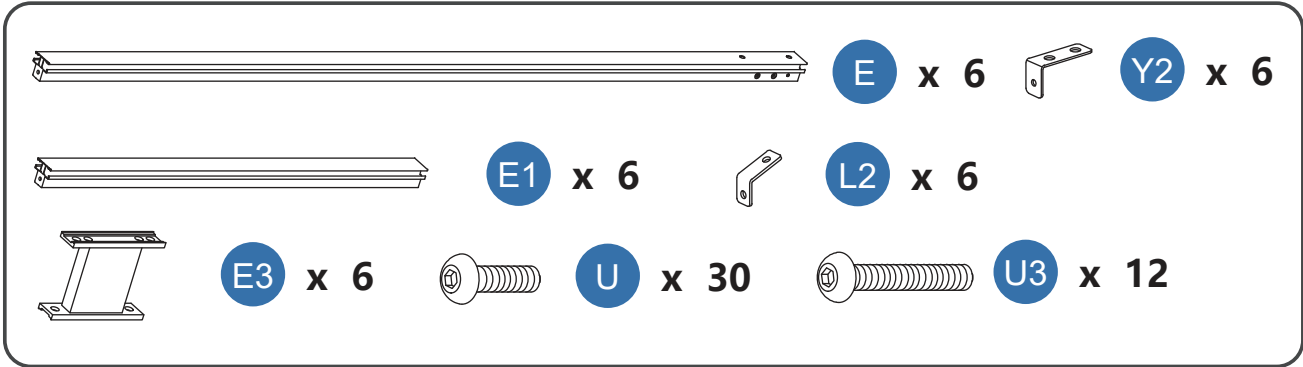


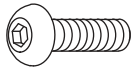
12



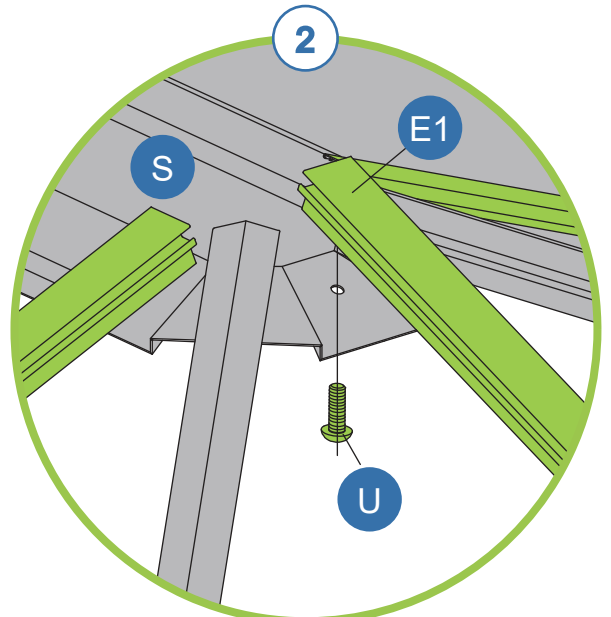
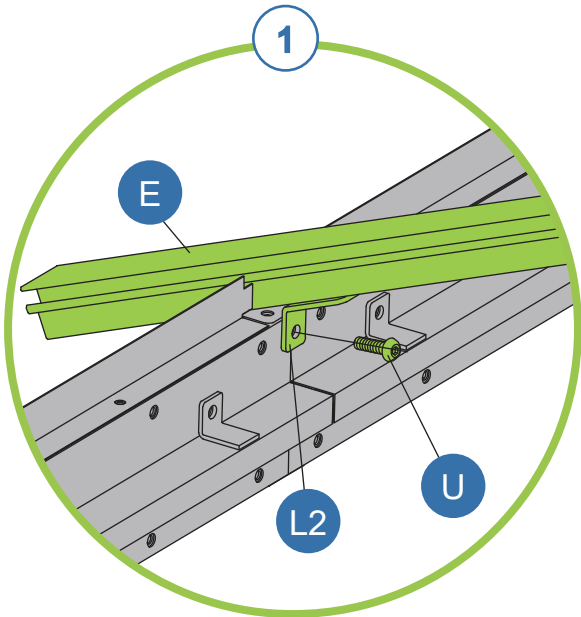
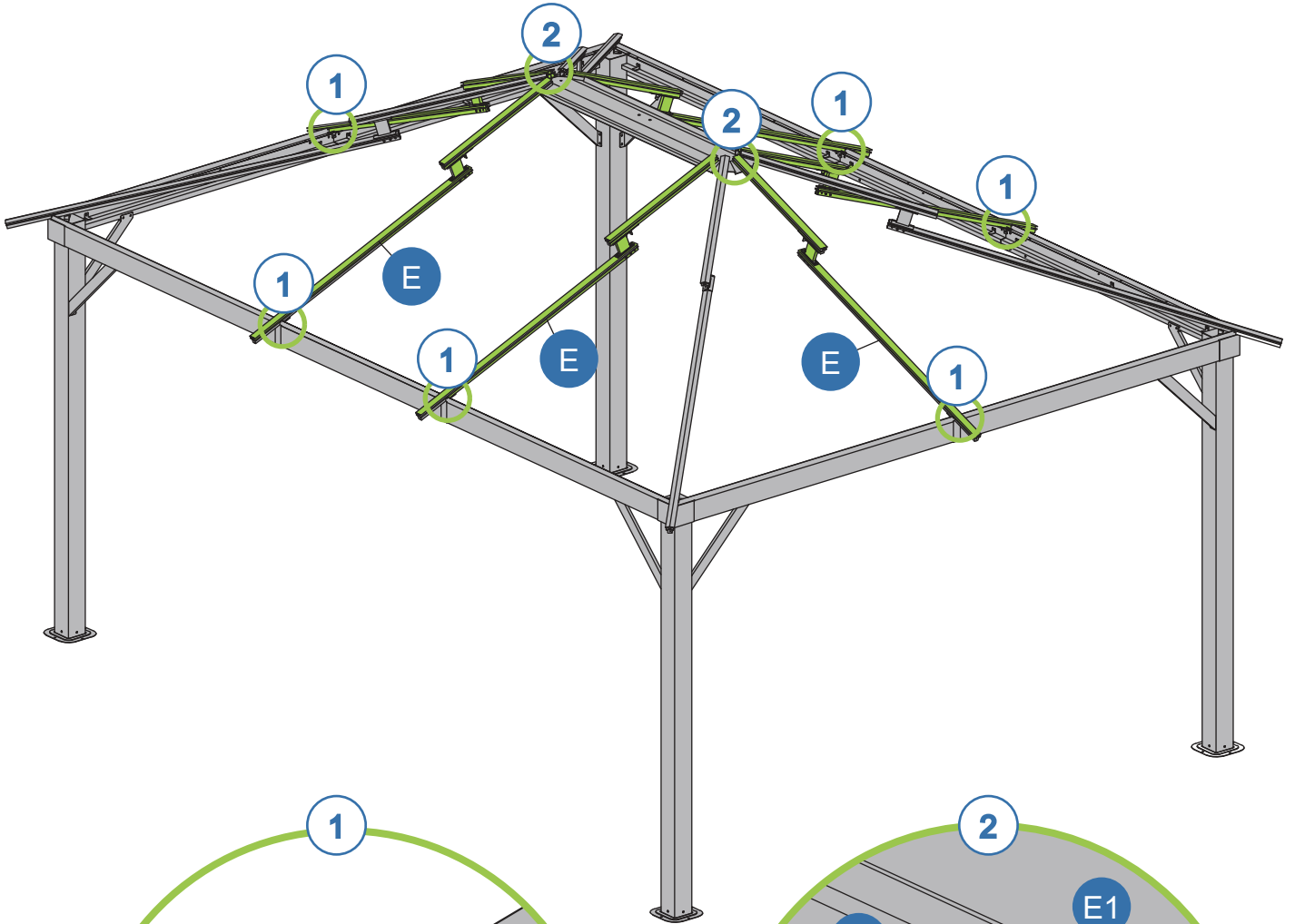
U x 8

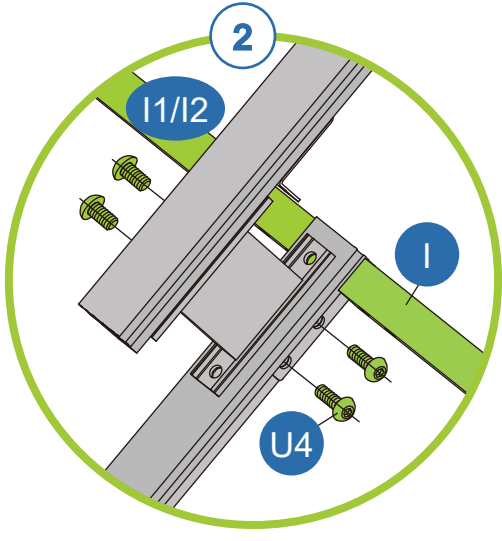
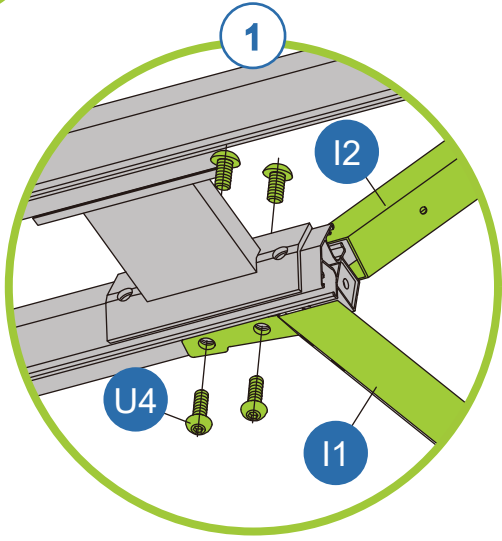
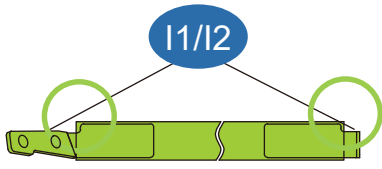
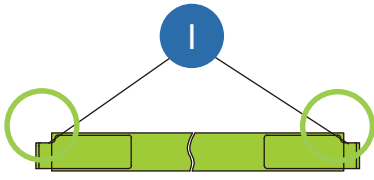
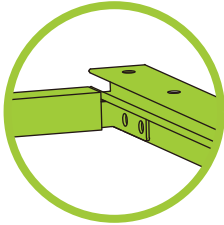
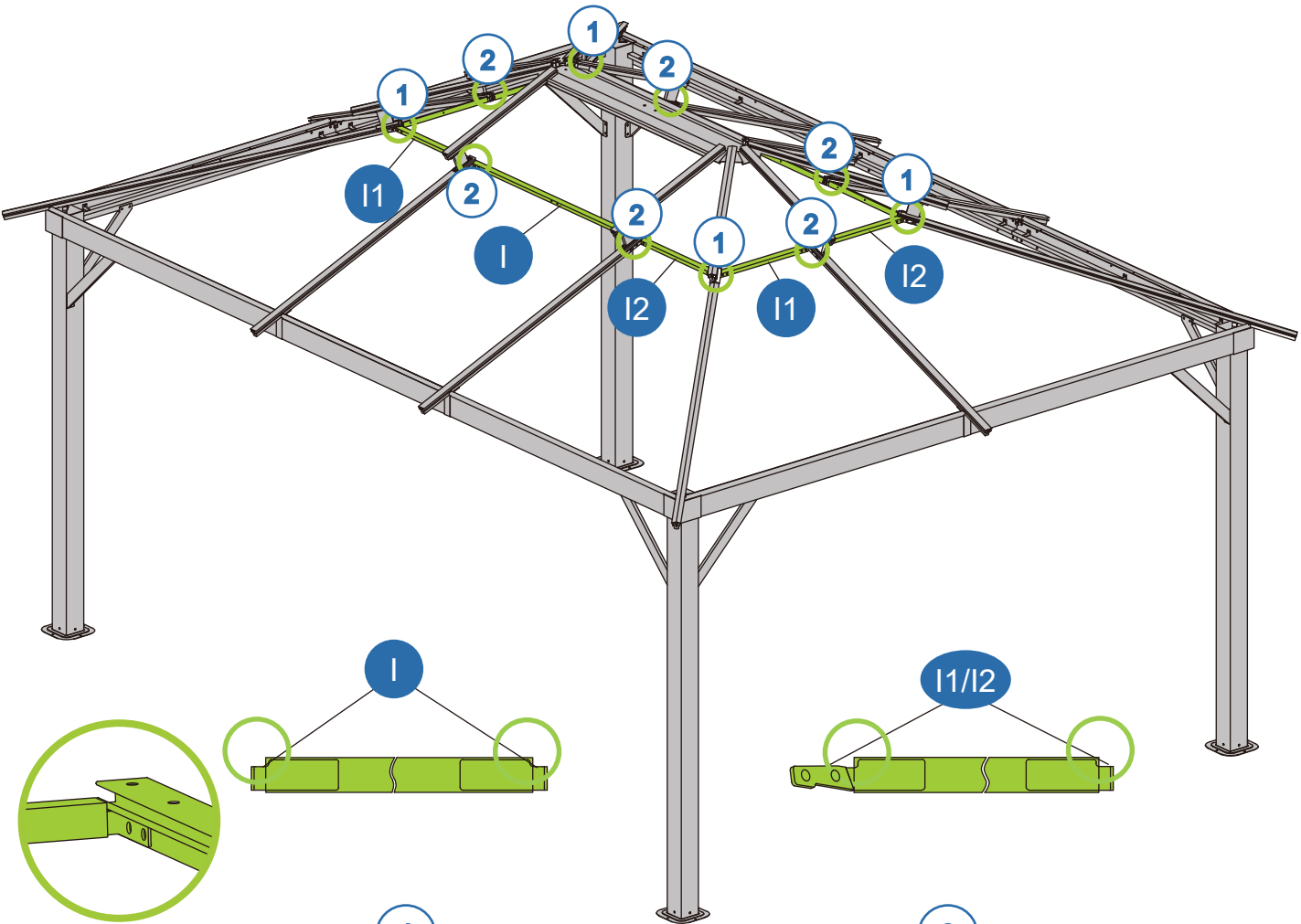
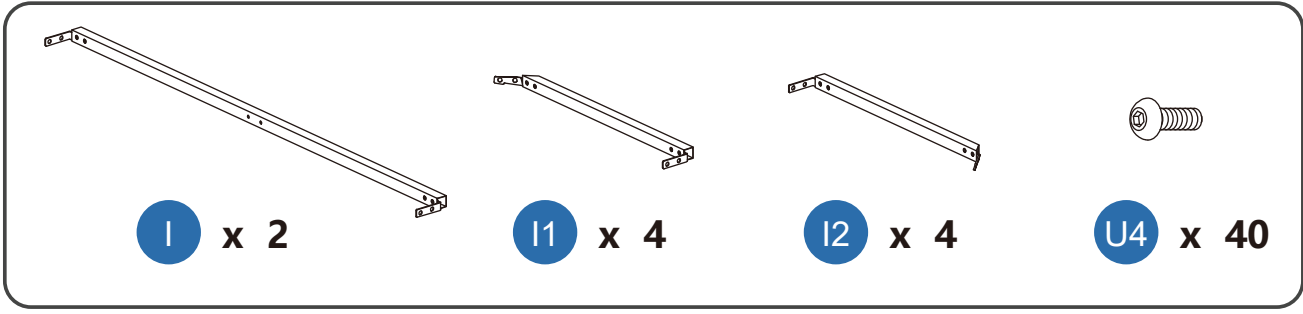




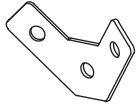


U x 12

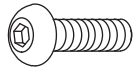




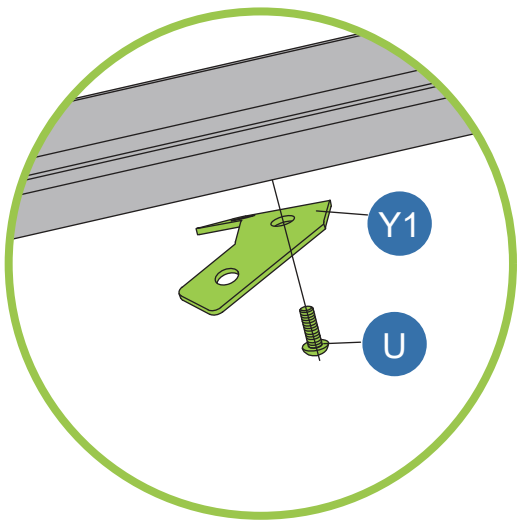
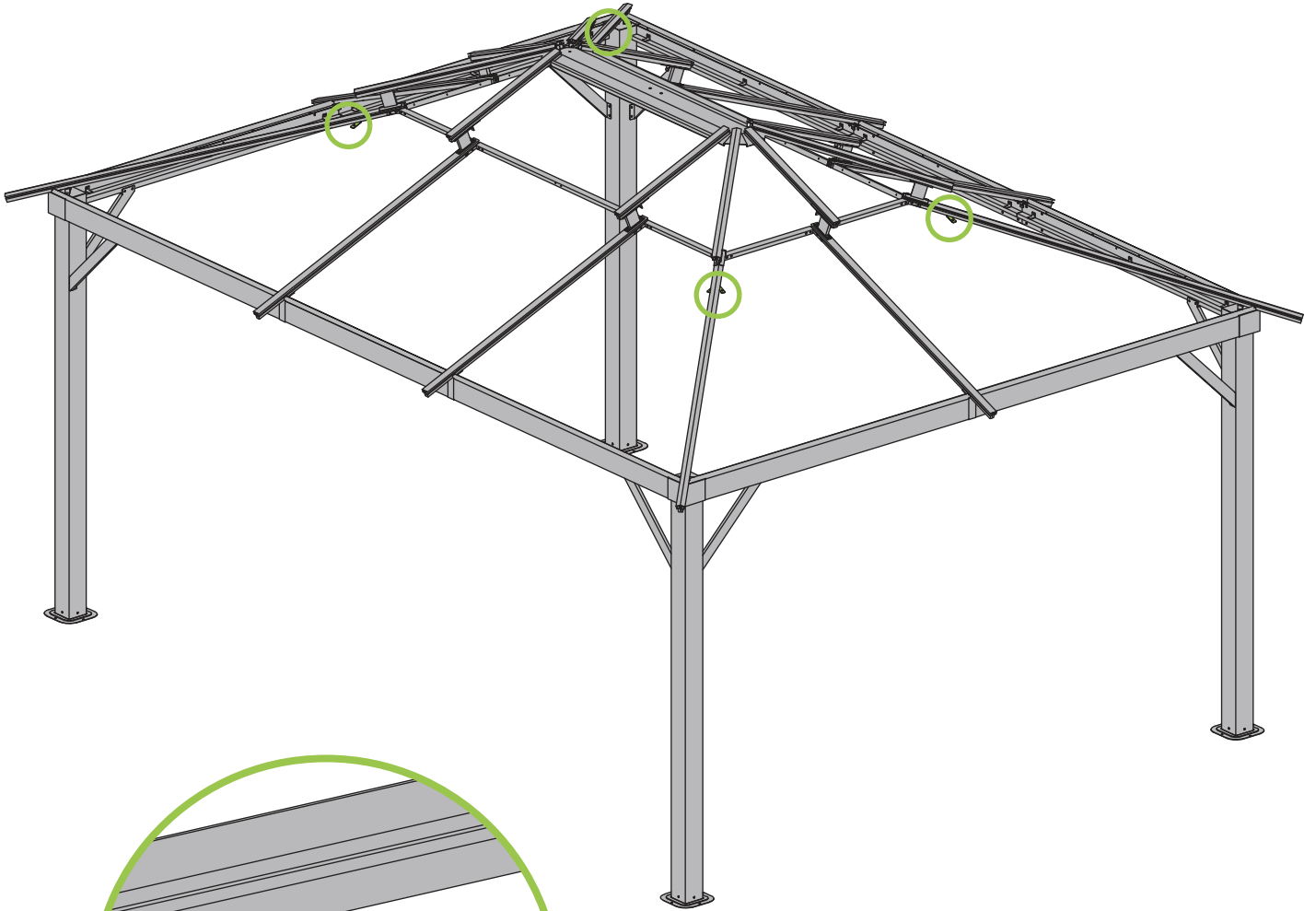
As shown in the illustration, when assembling I1/I2, make sure the notched part of the green circle is facing upward.



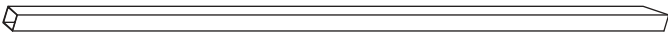
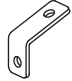
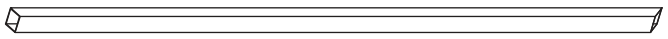
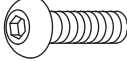
Y1 x 4

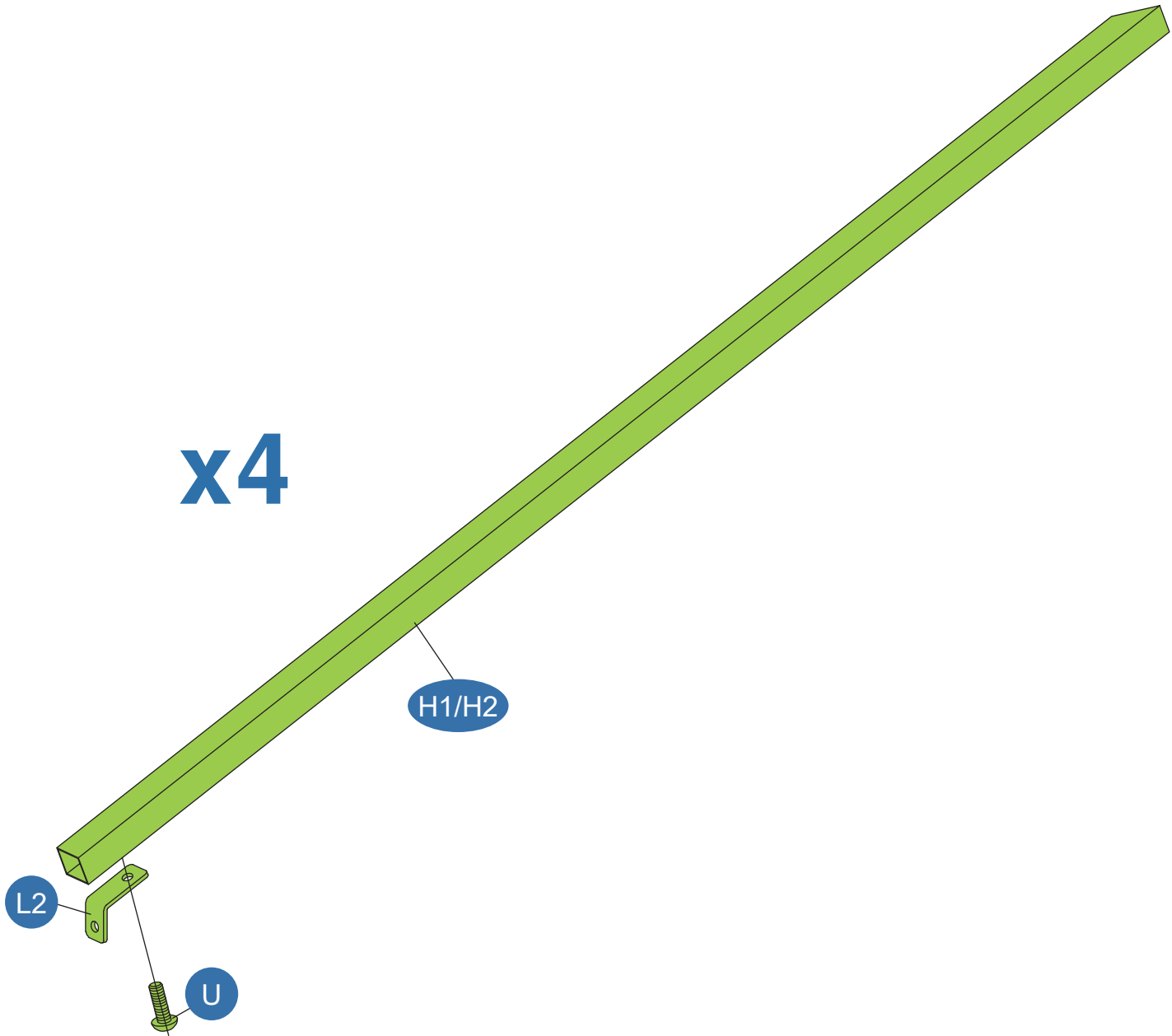


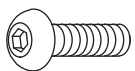
U x 4



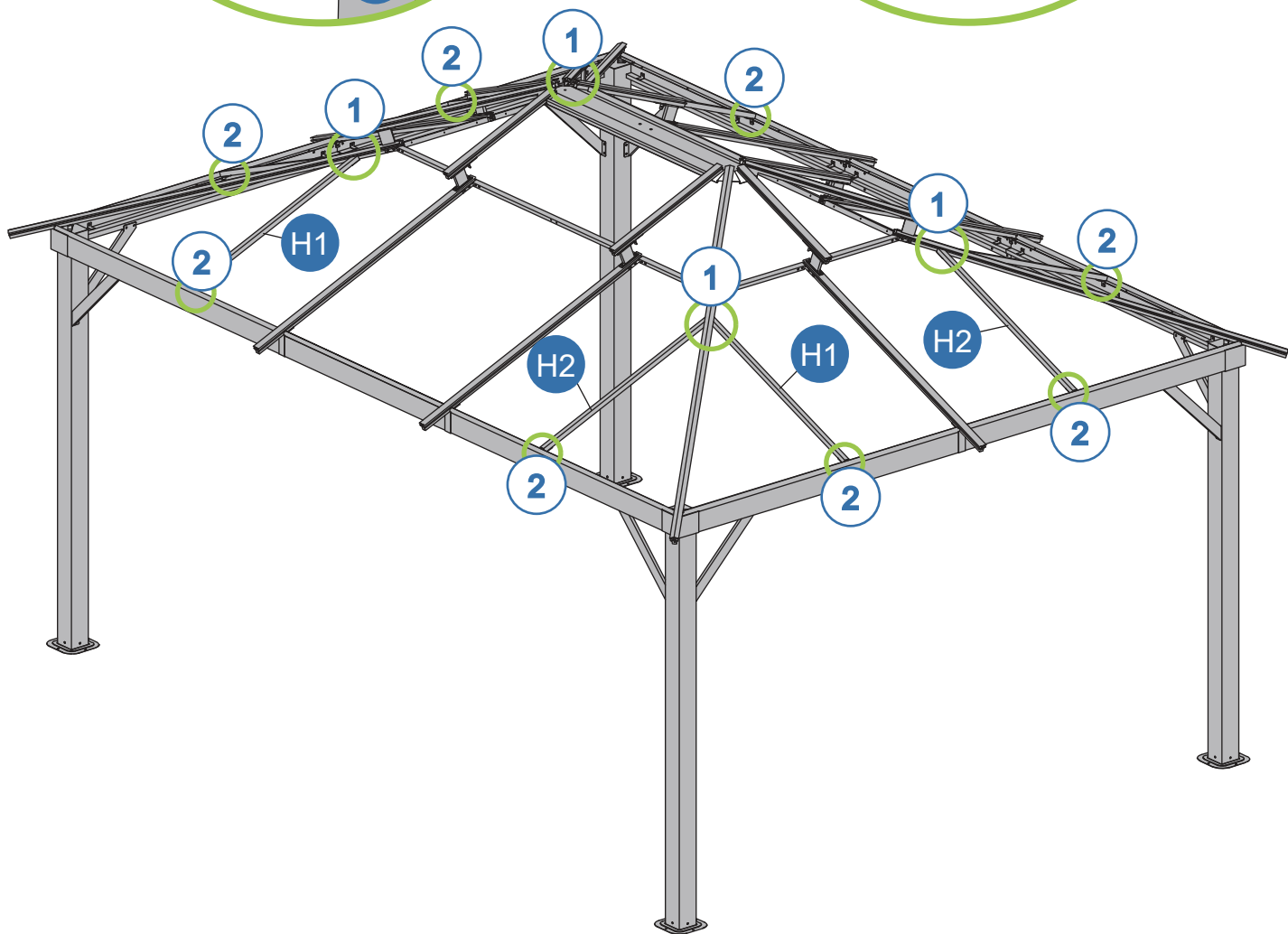
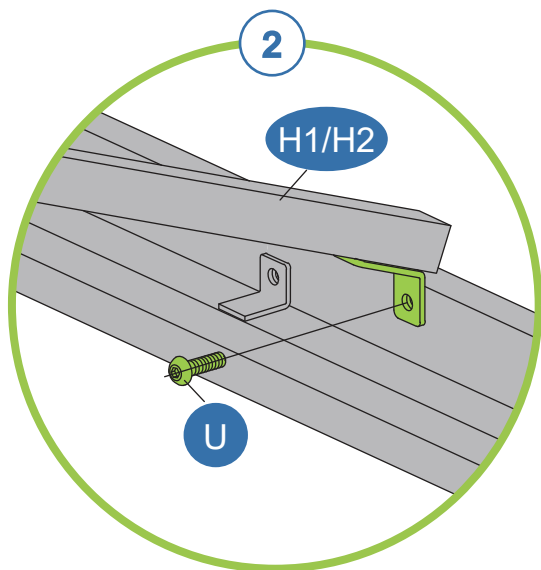
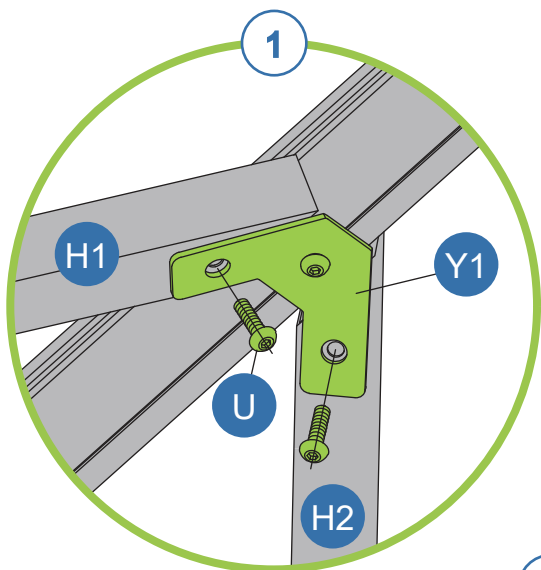
17

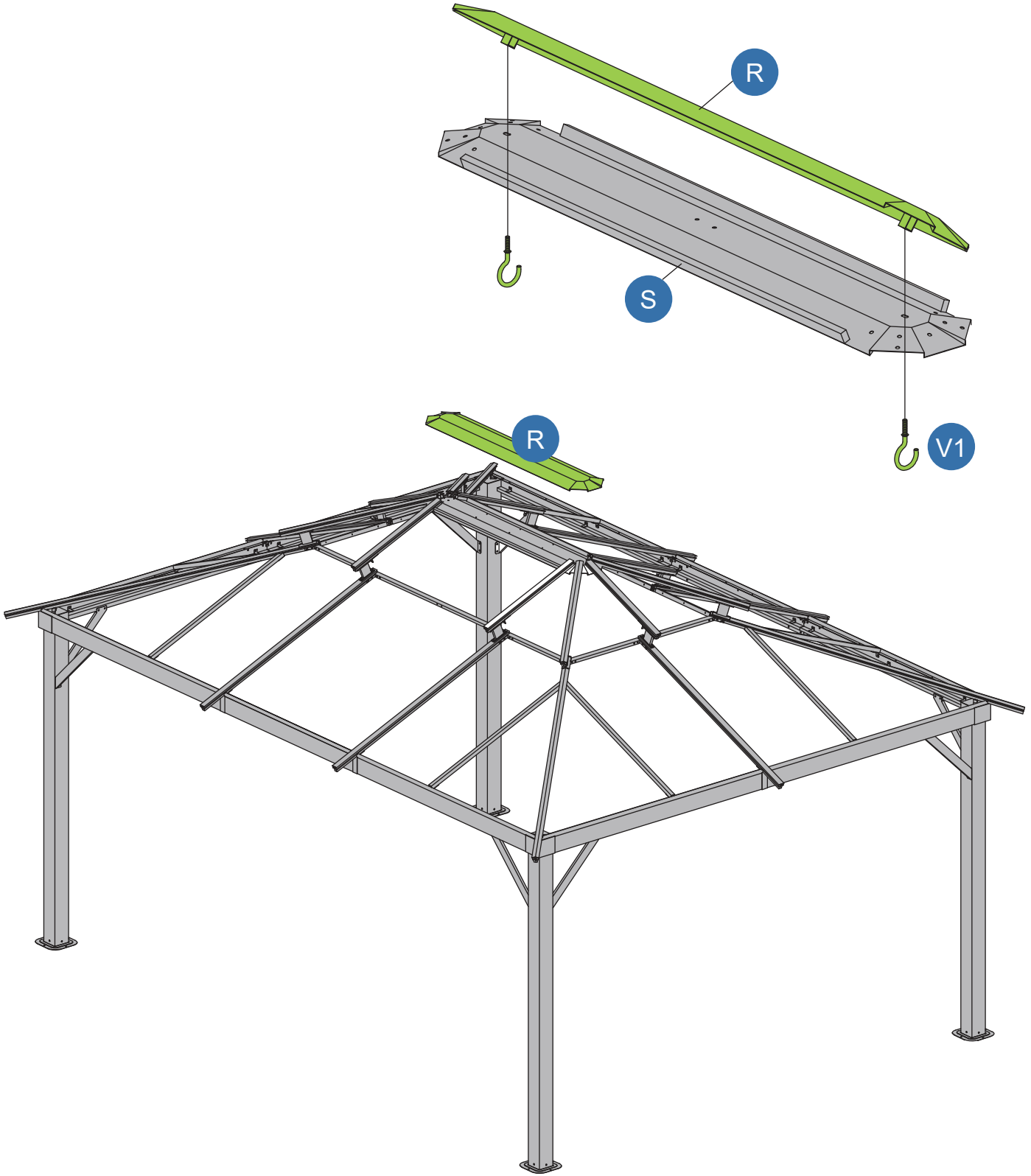
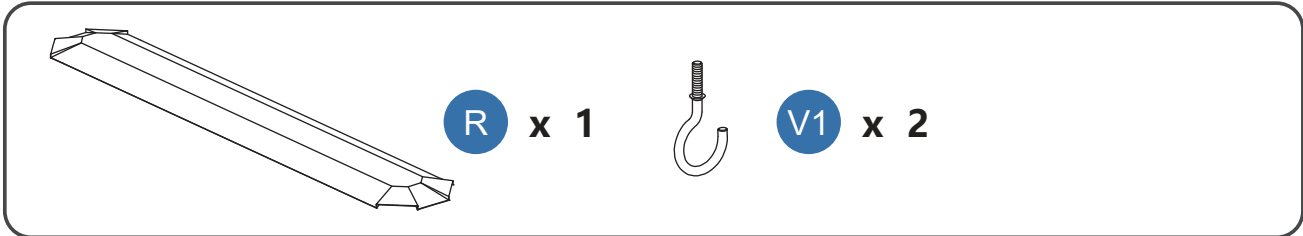
|   |        |   |        |
|---|--------|---|--------|
|  | H1 x 4 |   | L2 x 8 |
|  | H2 x 4 |  | U x 8  |





U x 16





M x 4    M1 x 4    N4 x 2

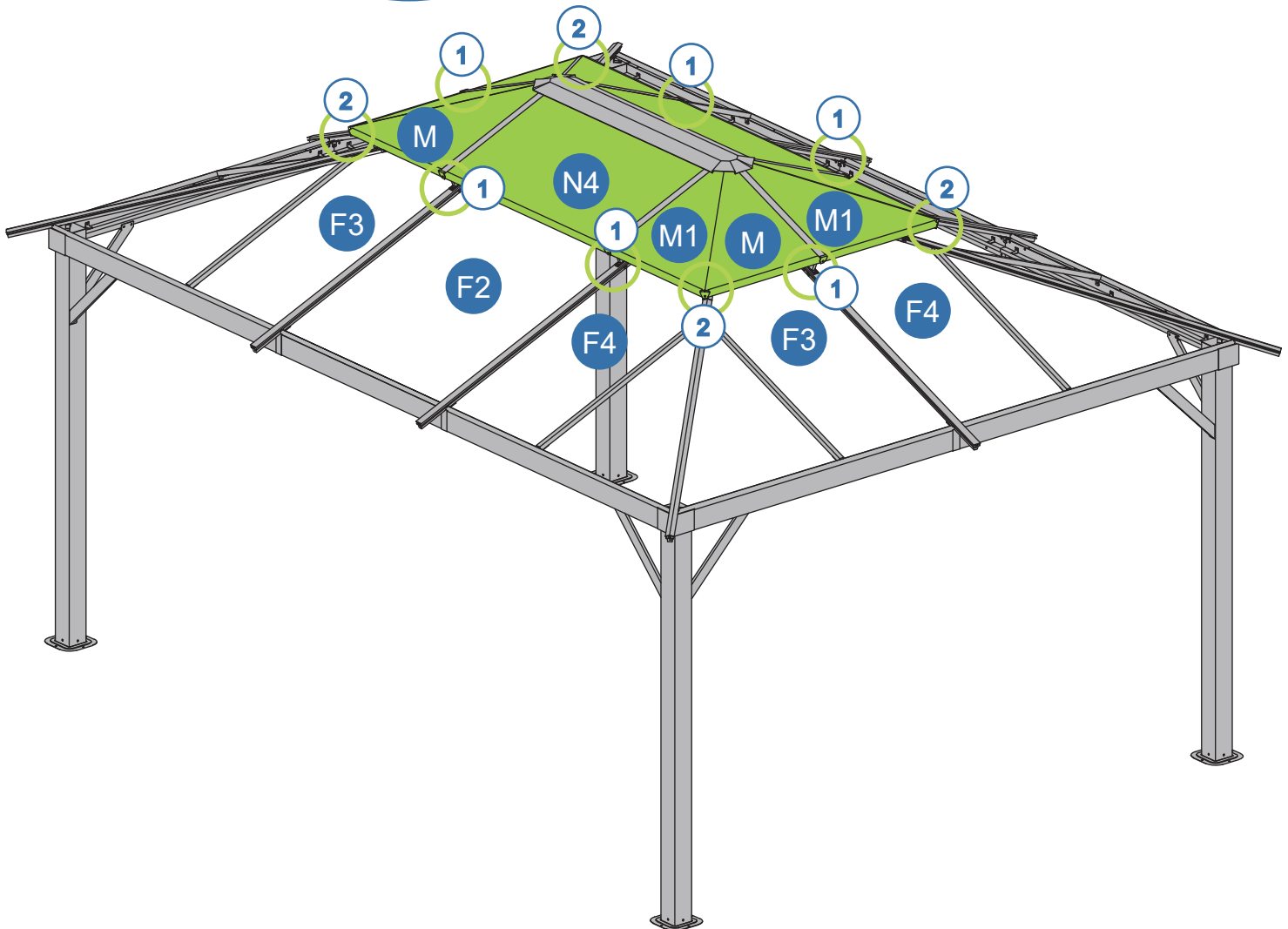
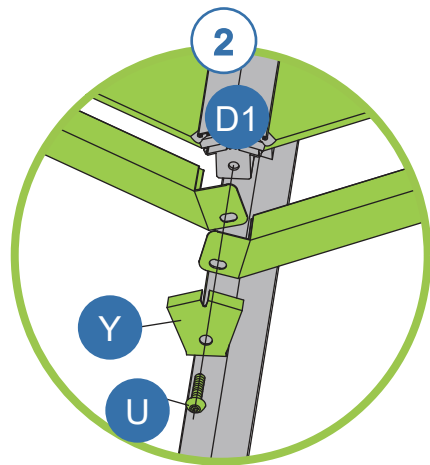
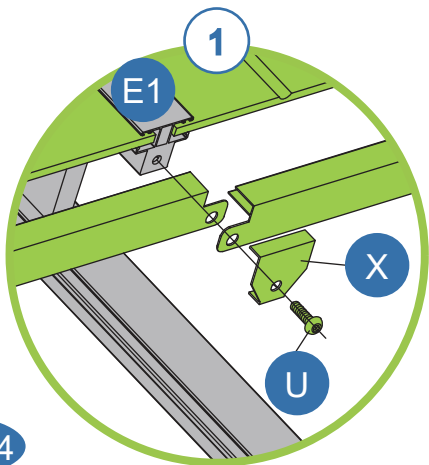
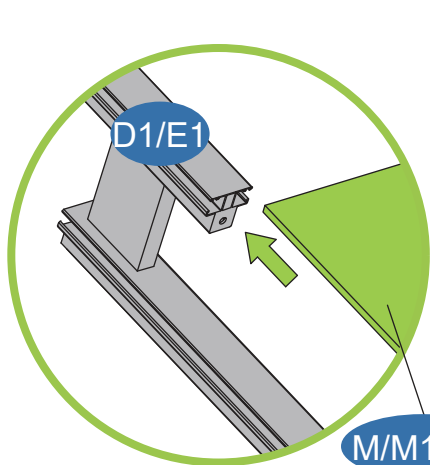
Y x 4

X x 6

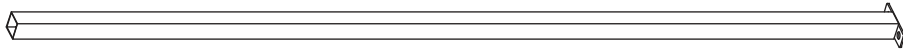
U x 10

F2 x 2

F3 x 4    F4 x 4



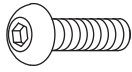
21



H x 2

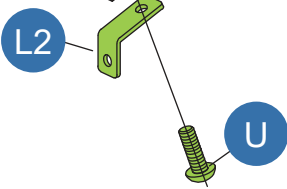
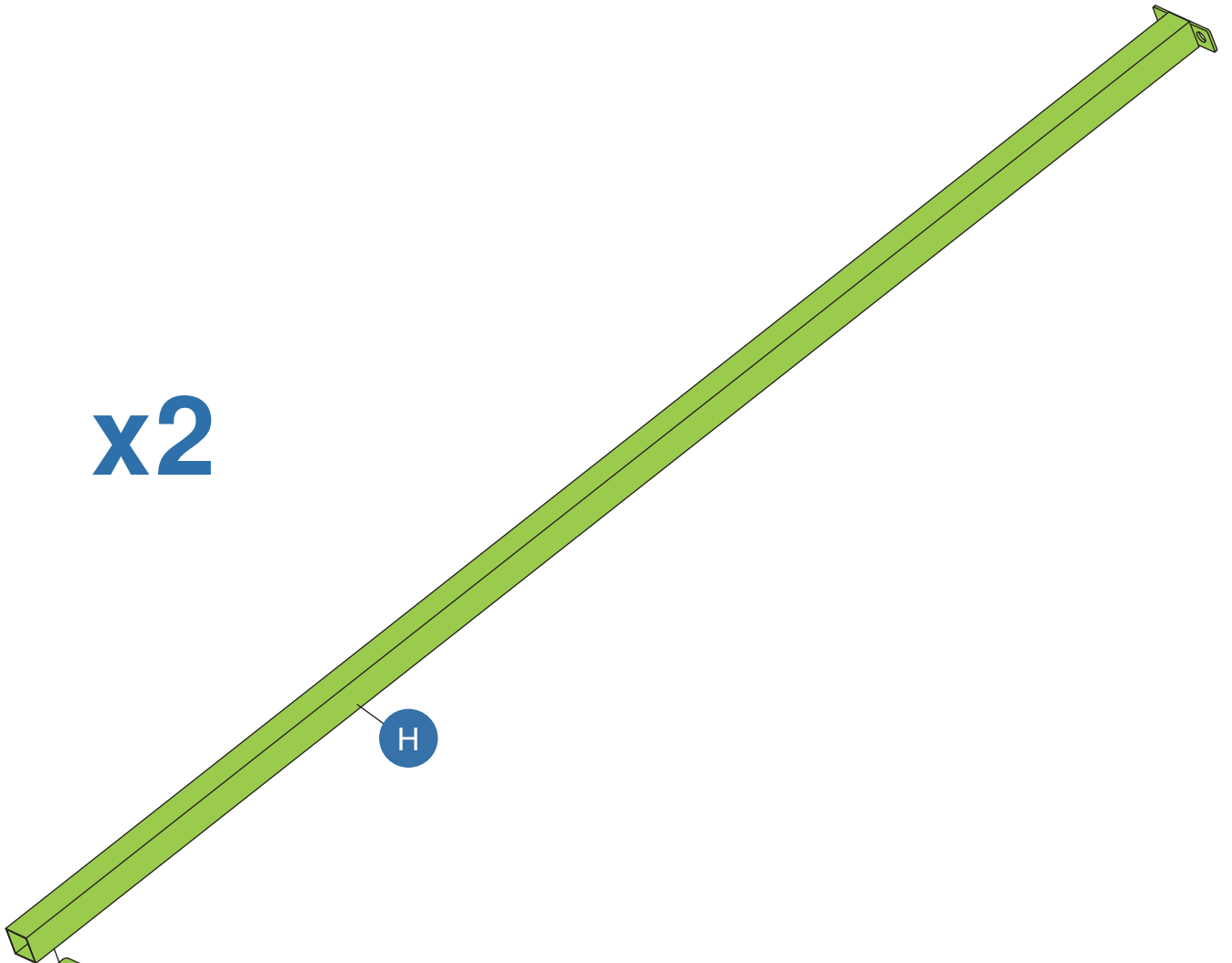


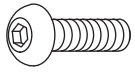
L2 x 2



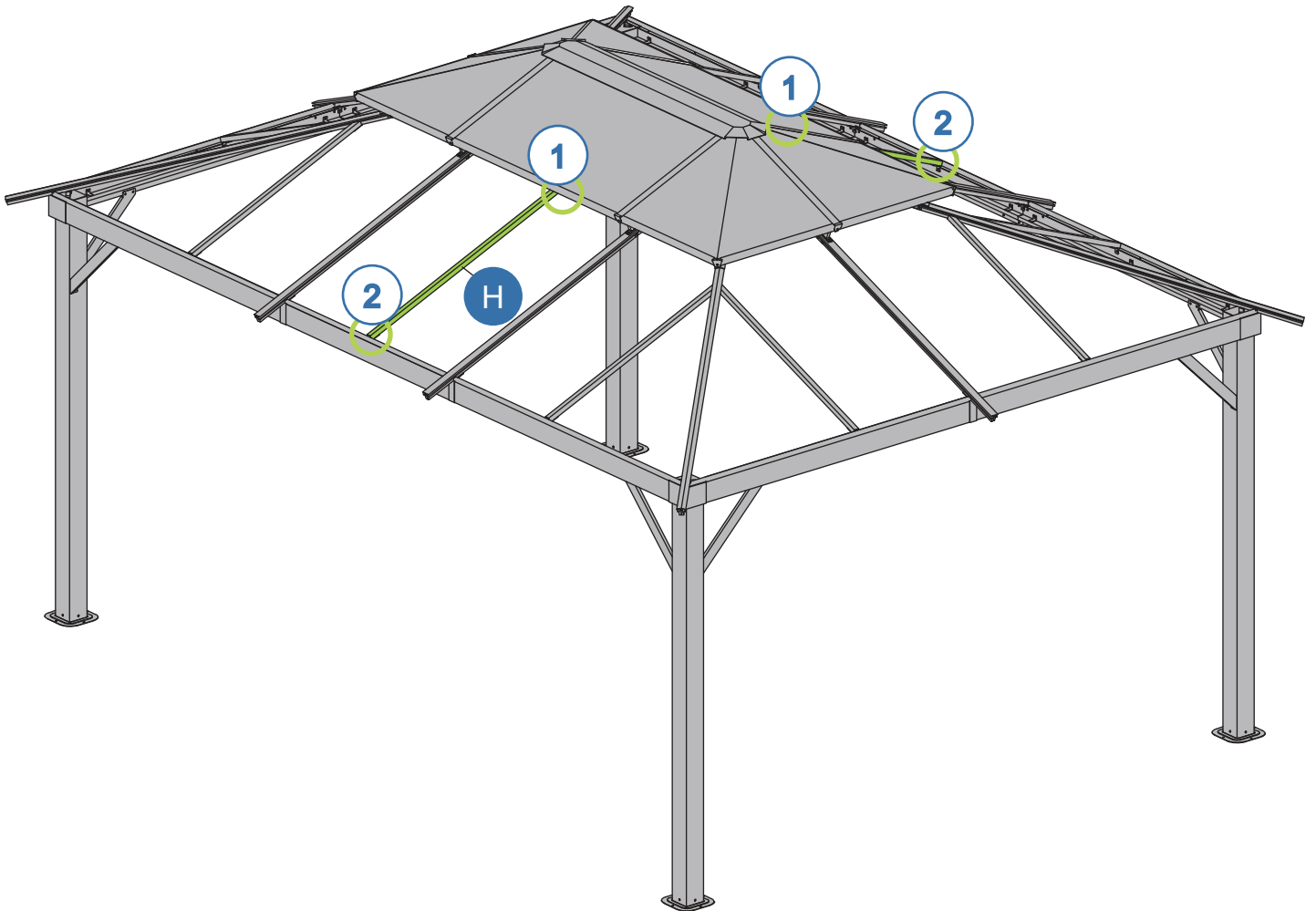
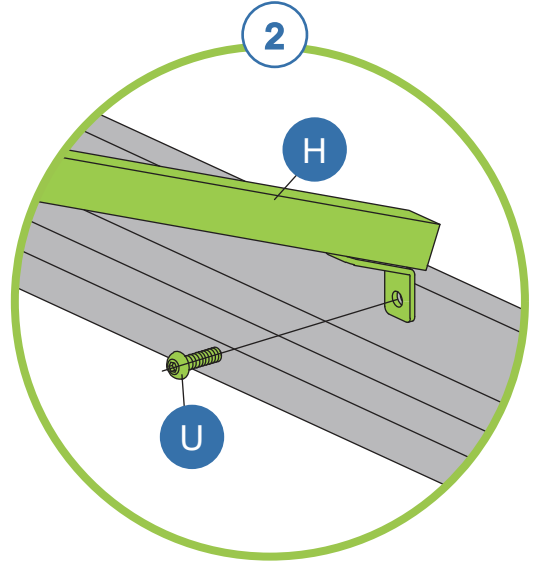
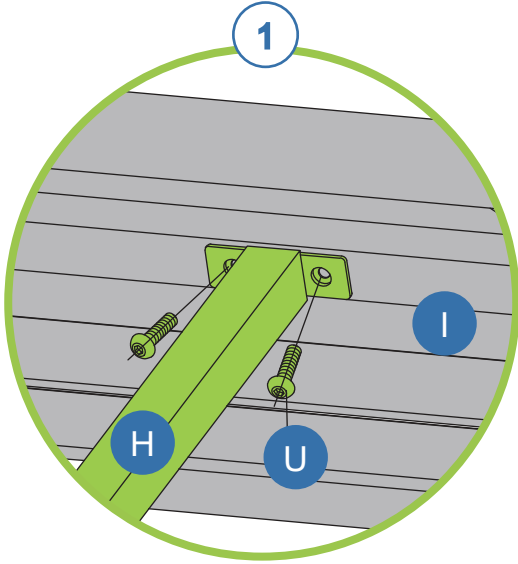
U x 2

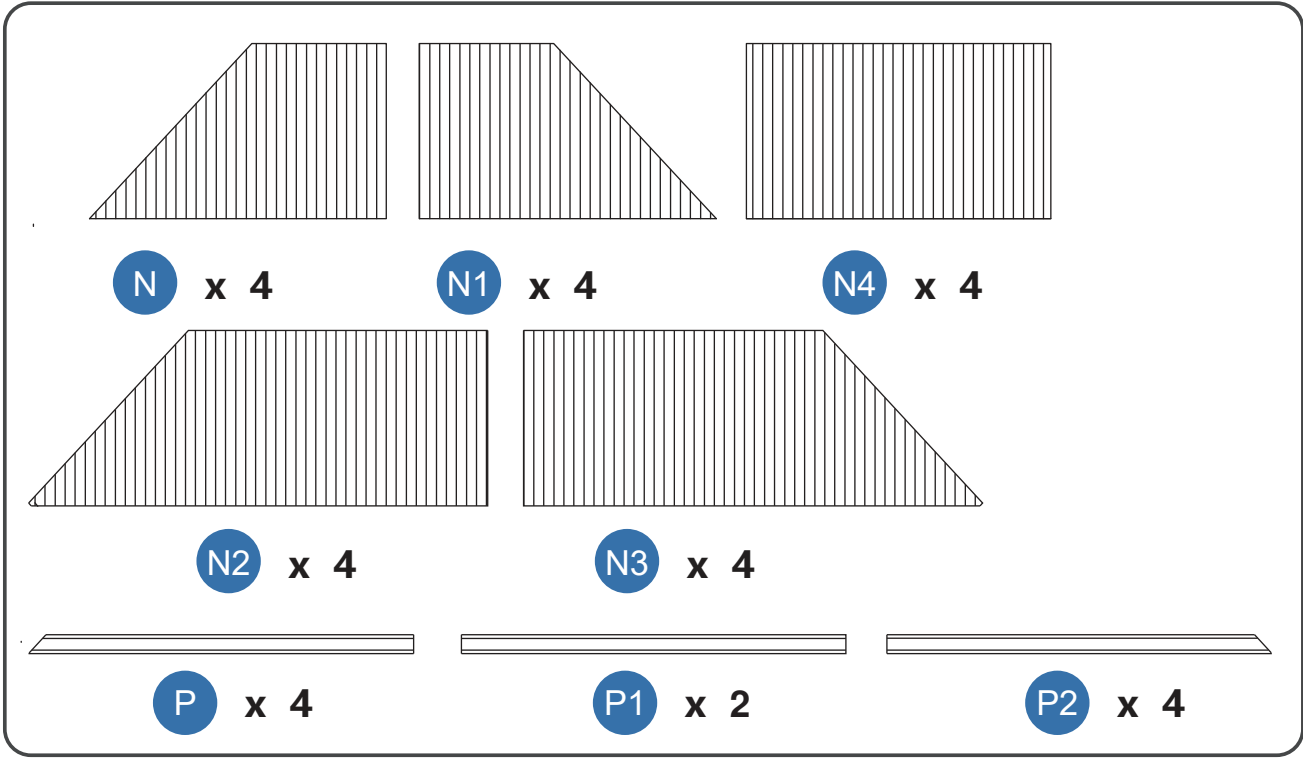
x2



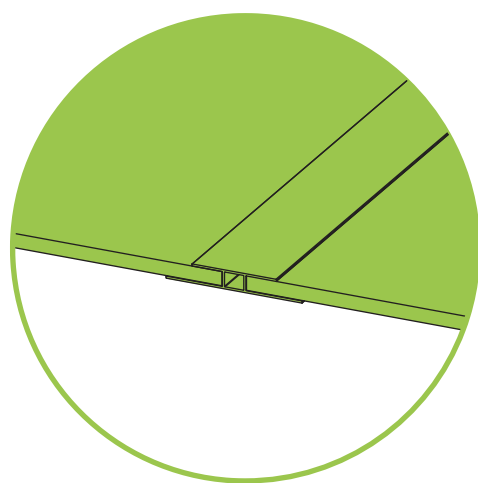
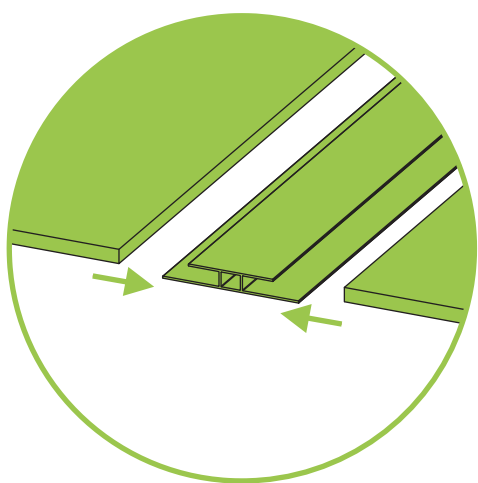
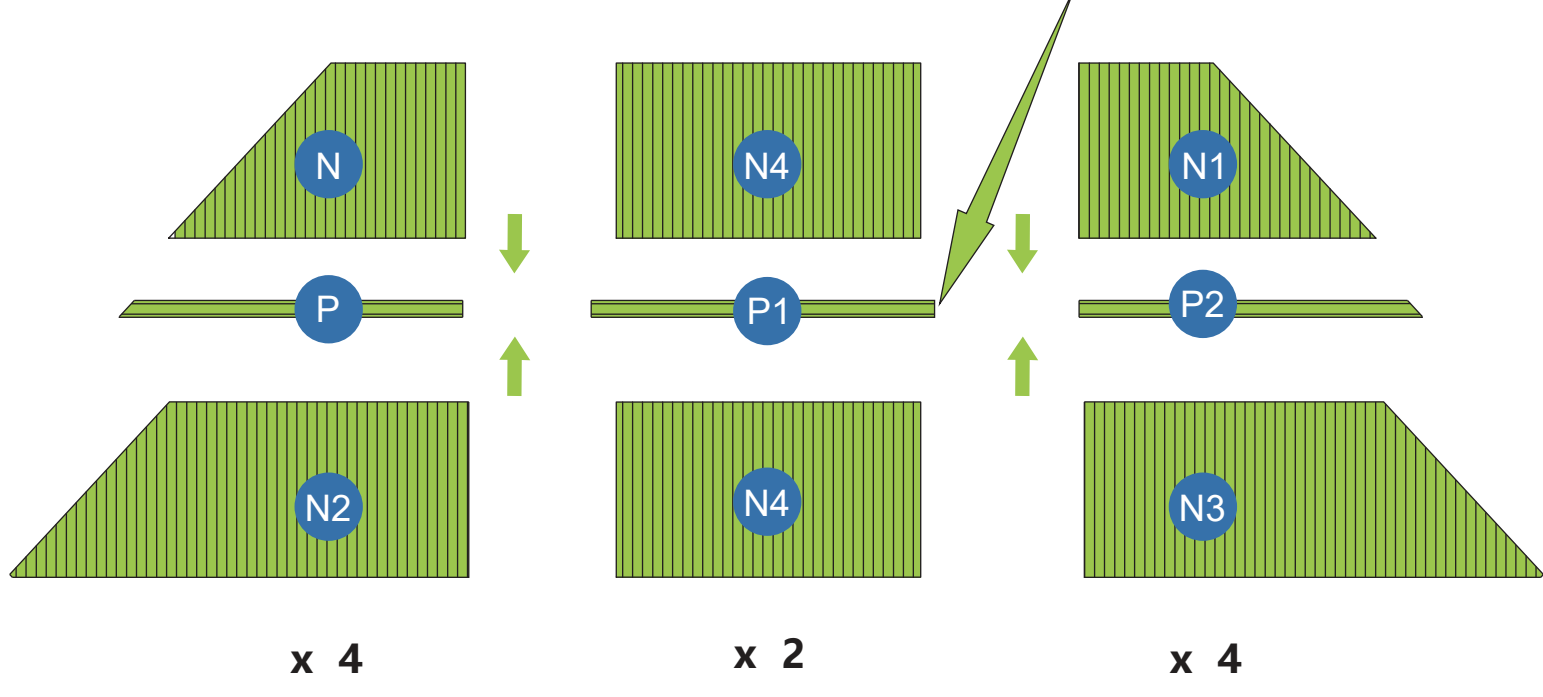


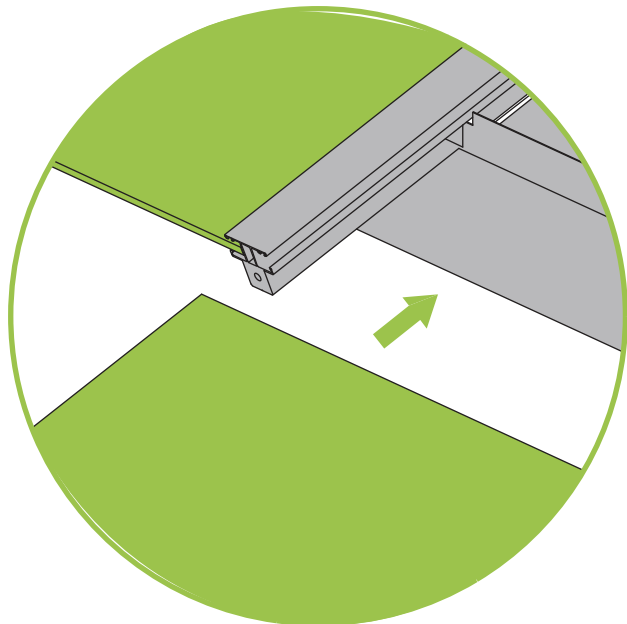
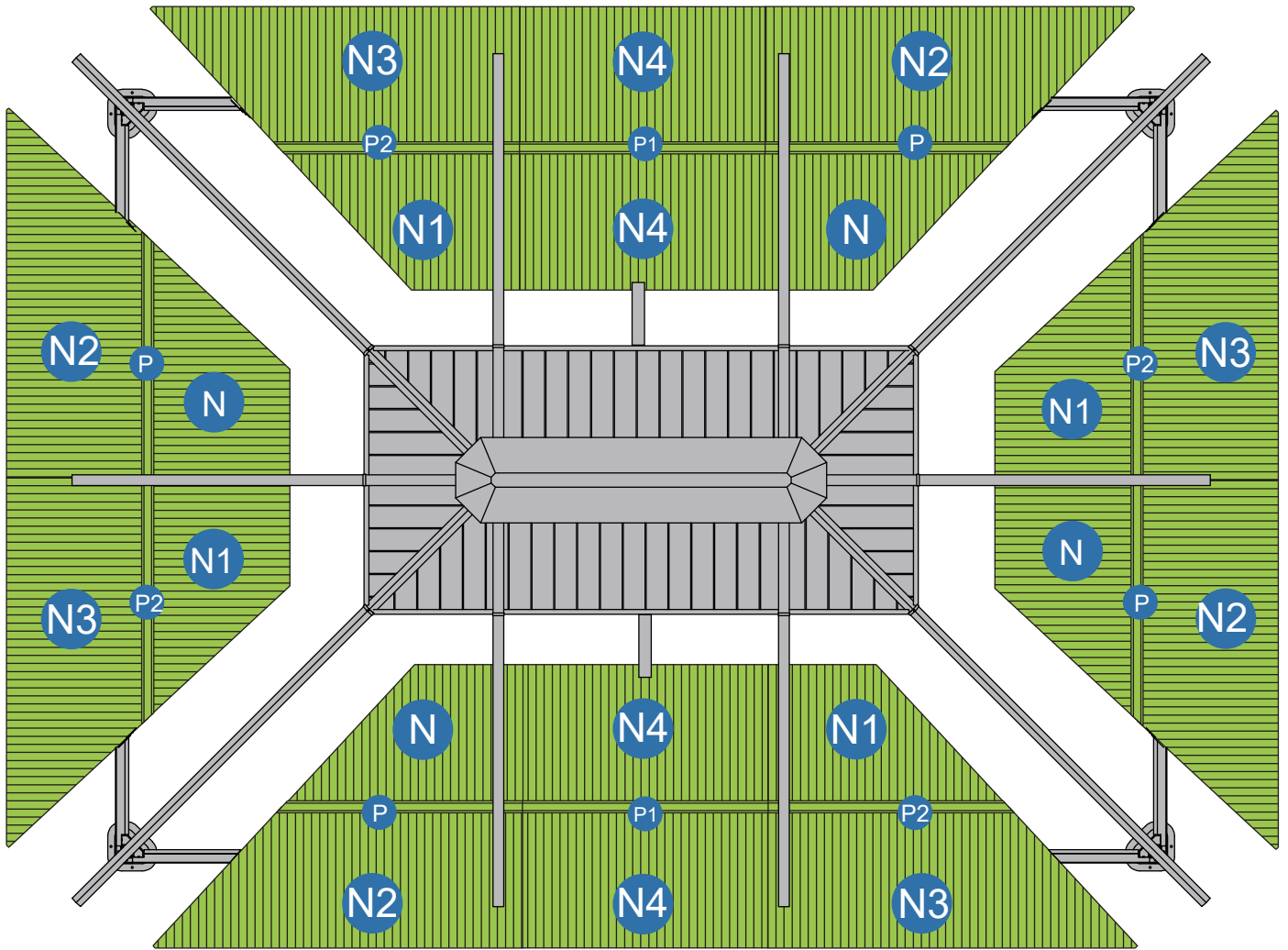
U x 6

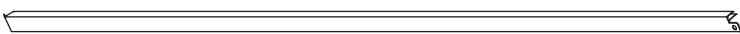

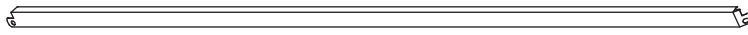


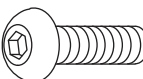


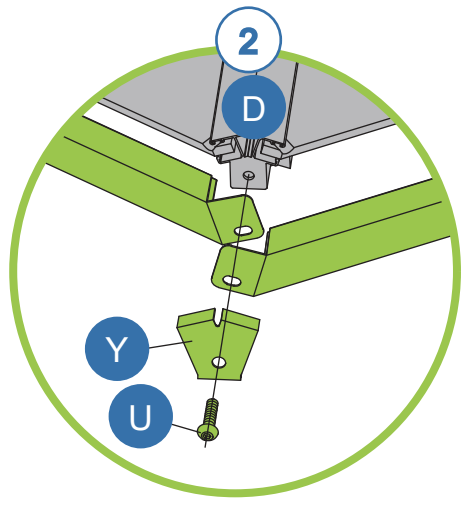
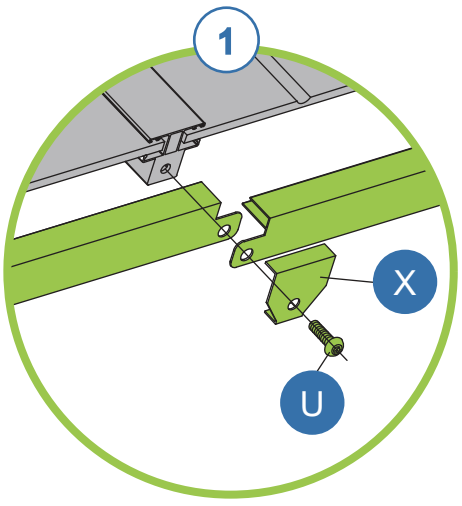
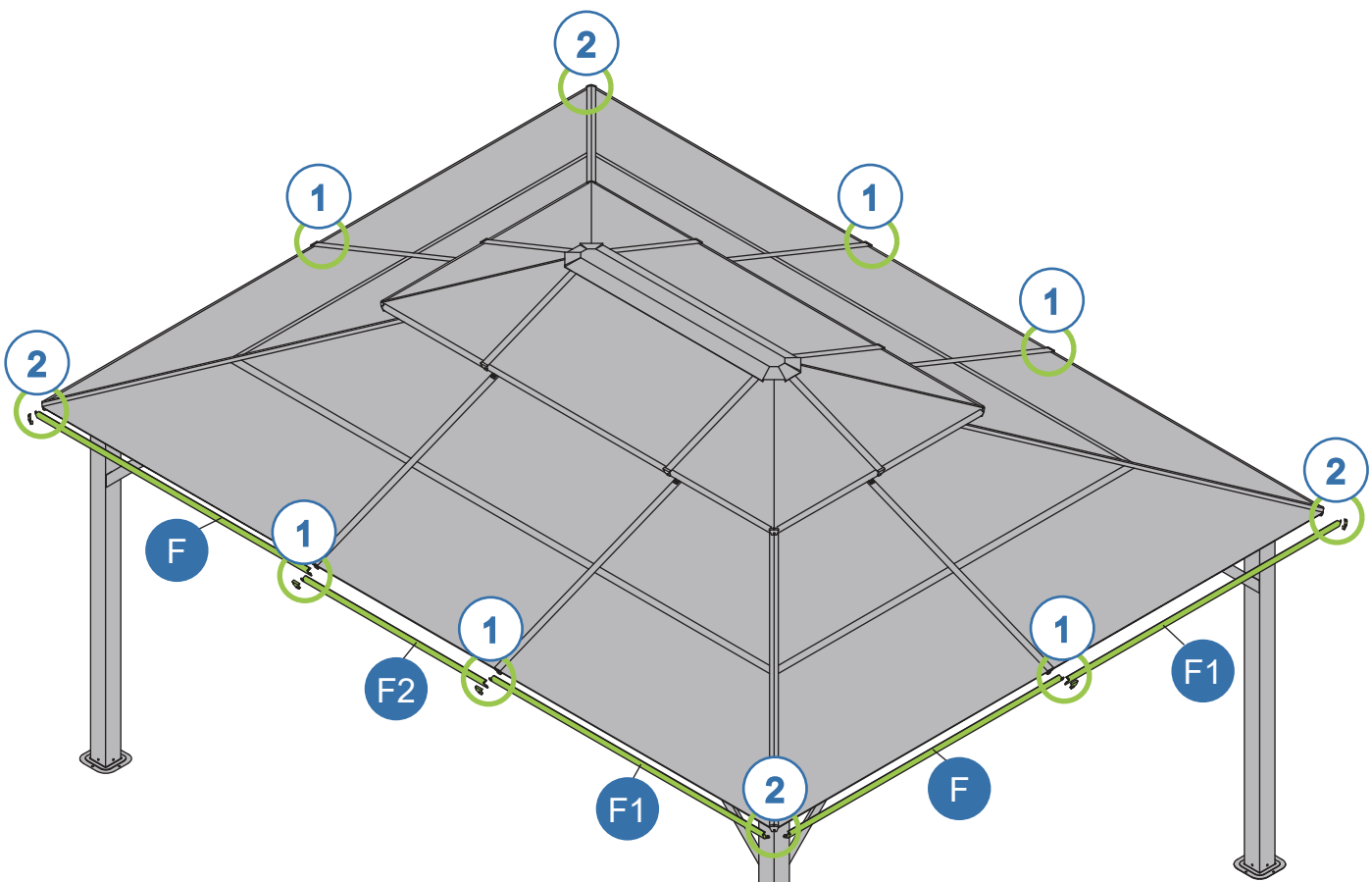


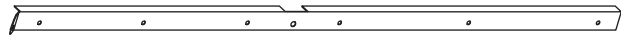
The drainage hole faces upward.





|   |               |   |               |
|---|---------------|---|---------------|
|  | <b>F</b> x 4  |   | <b>Y</b> x 4  |
|  | <b>F1</b> x 4 |  | <b>X</b> x 6  |
|  | <b>F2</b> x 2 |  | <b>U</b> x 10 |

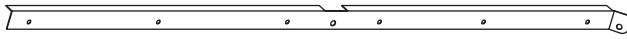




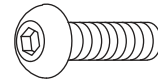
K x 2



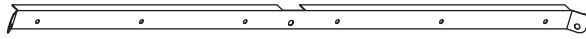
Y x 4



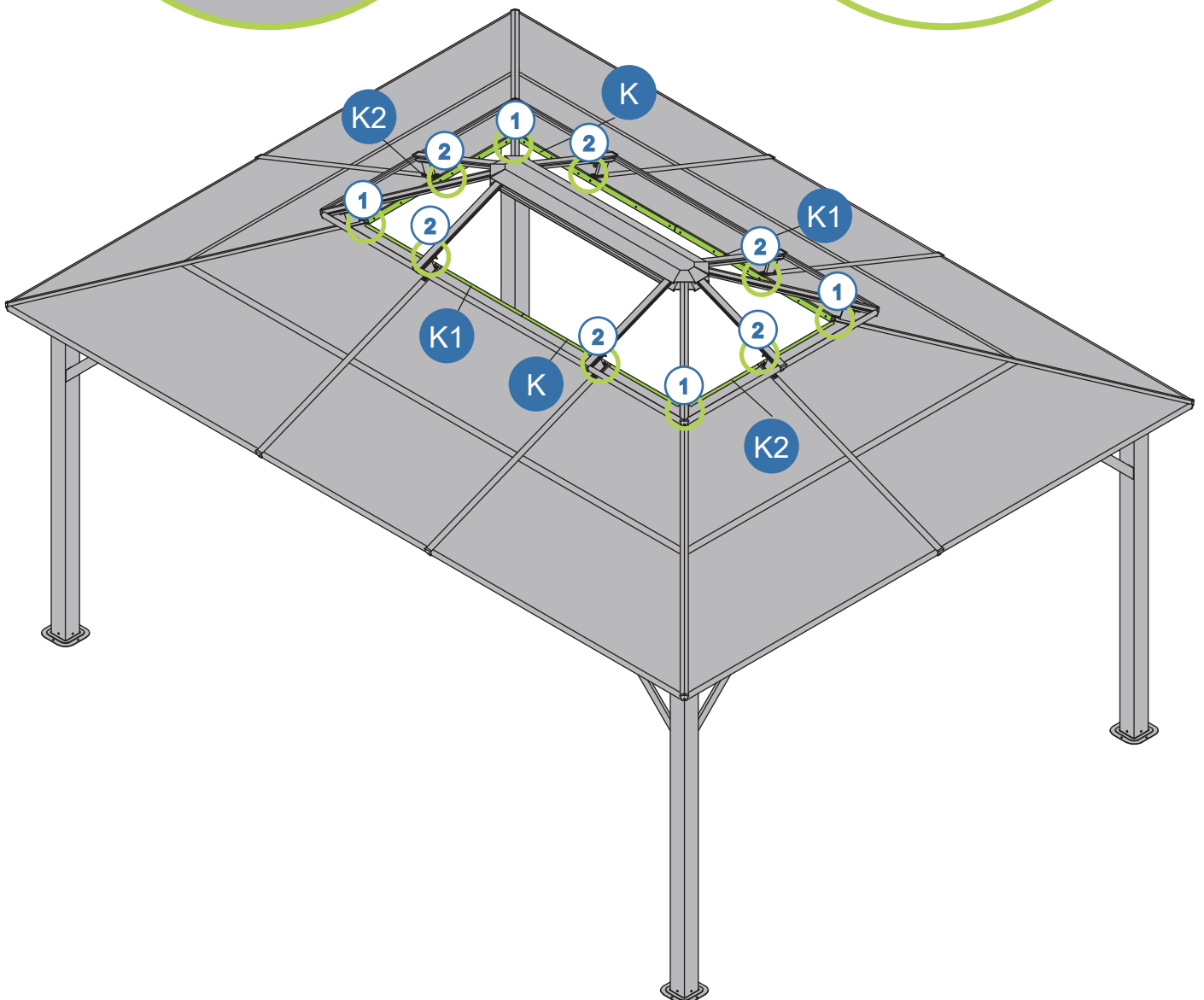
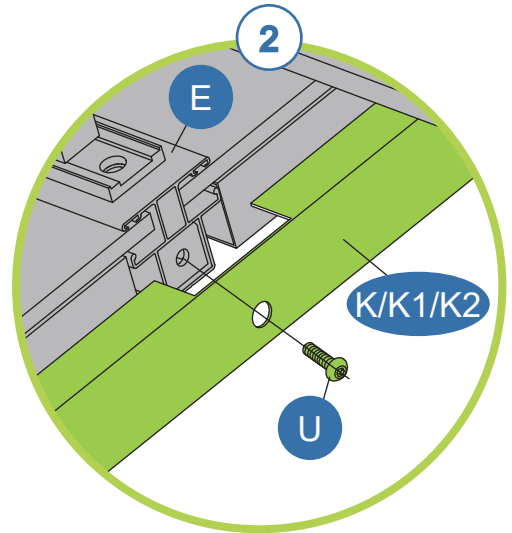
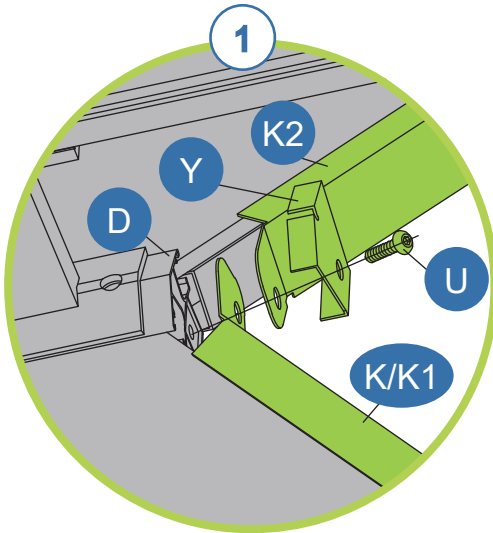
K1 x 2

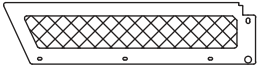
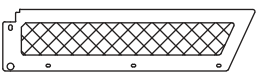

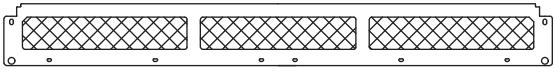
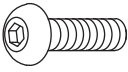


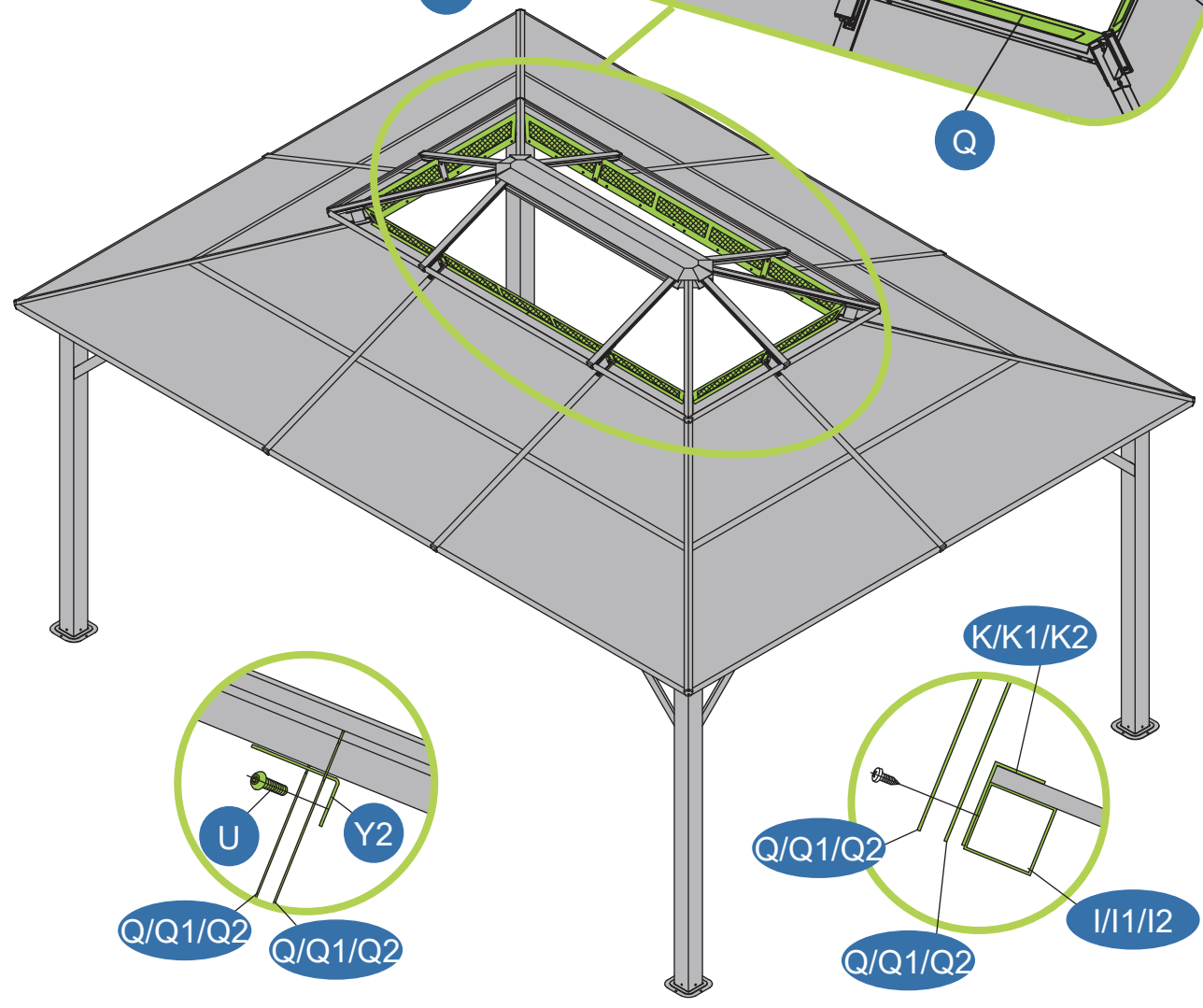
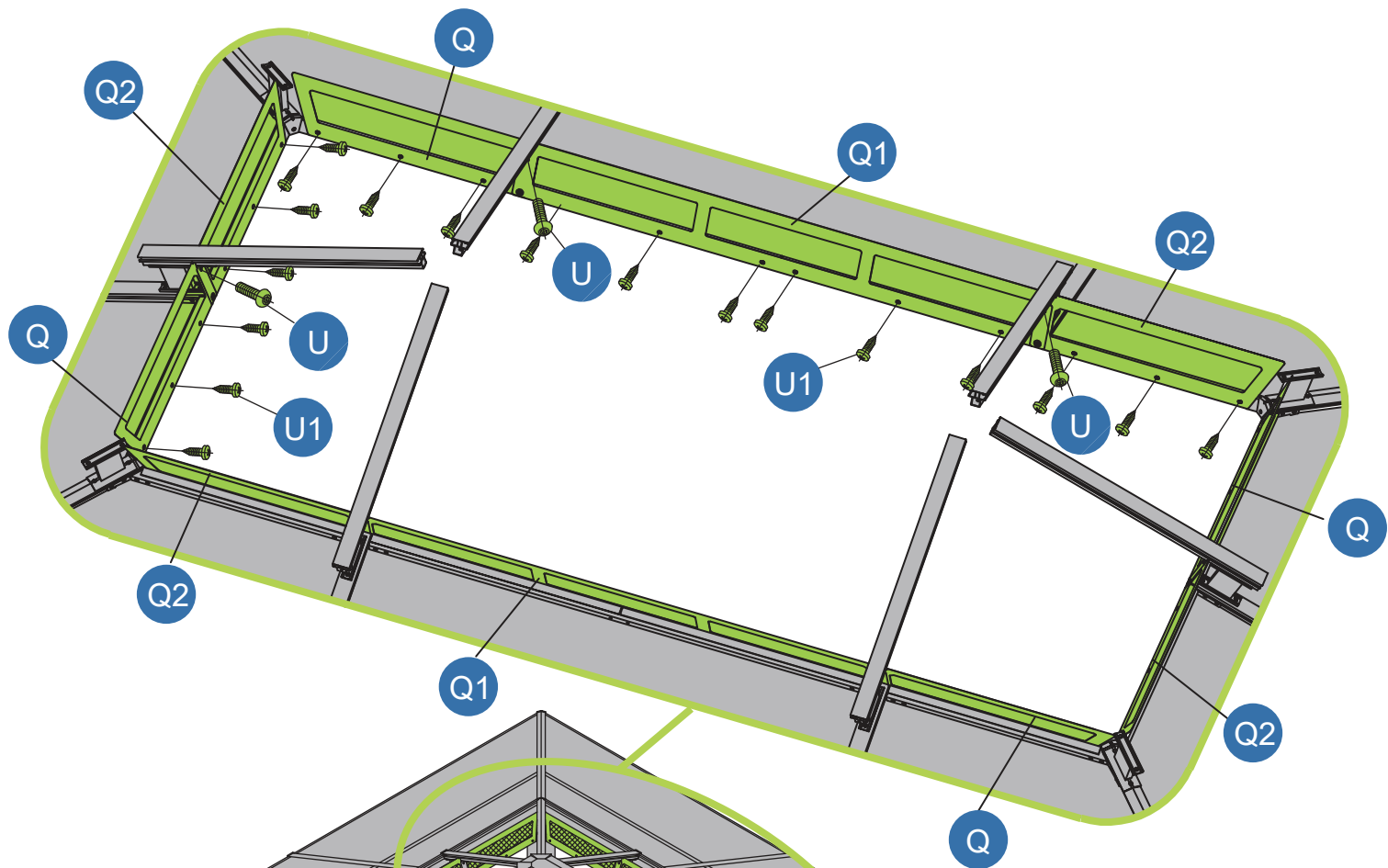
U x 10

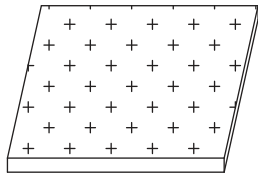


K2 x 2

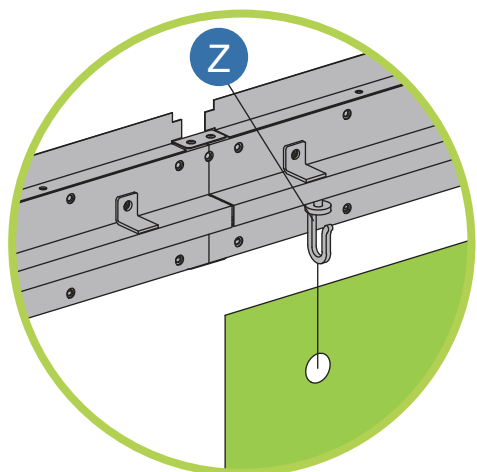
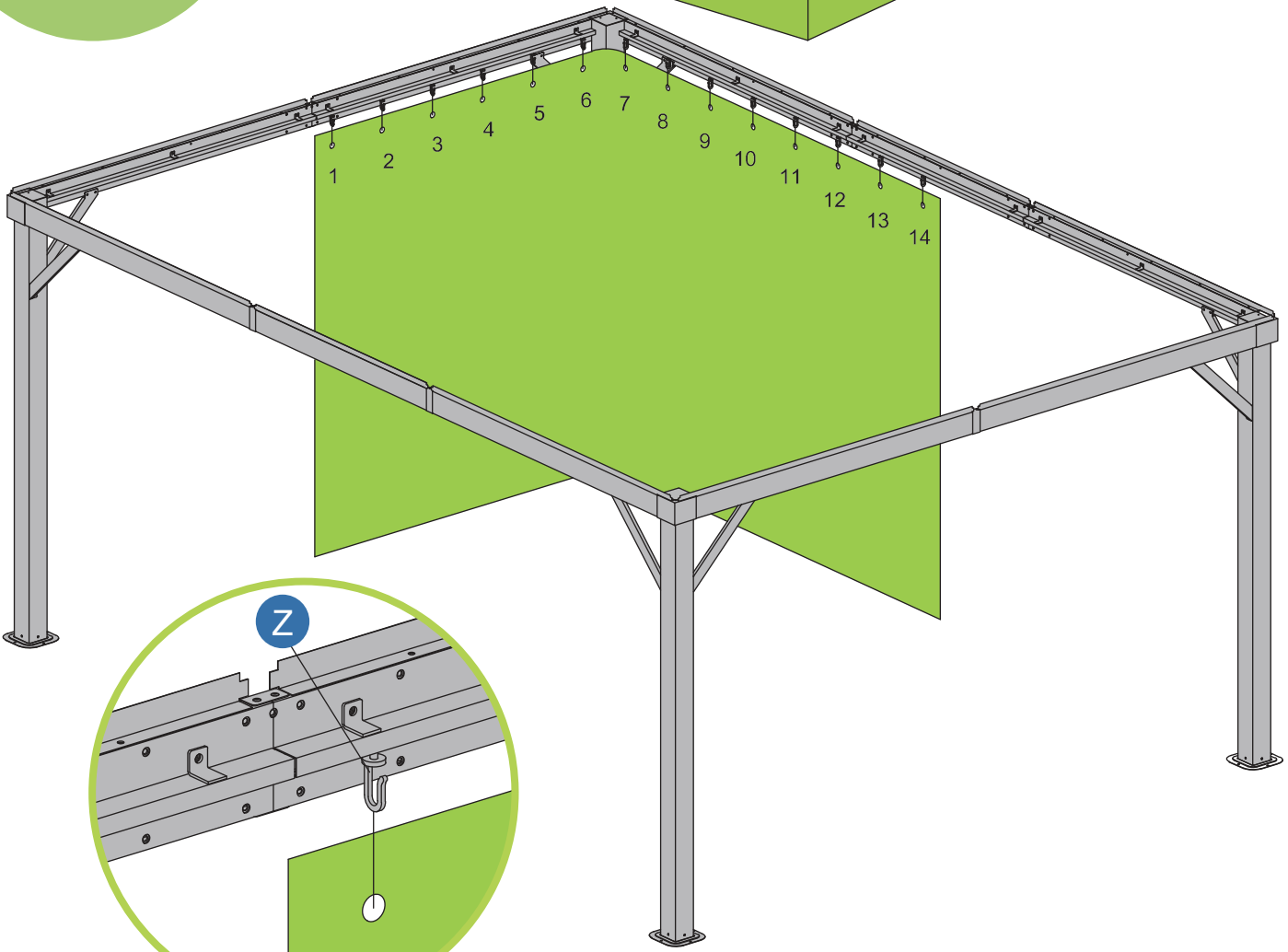
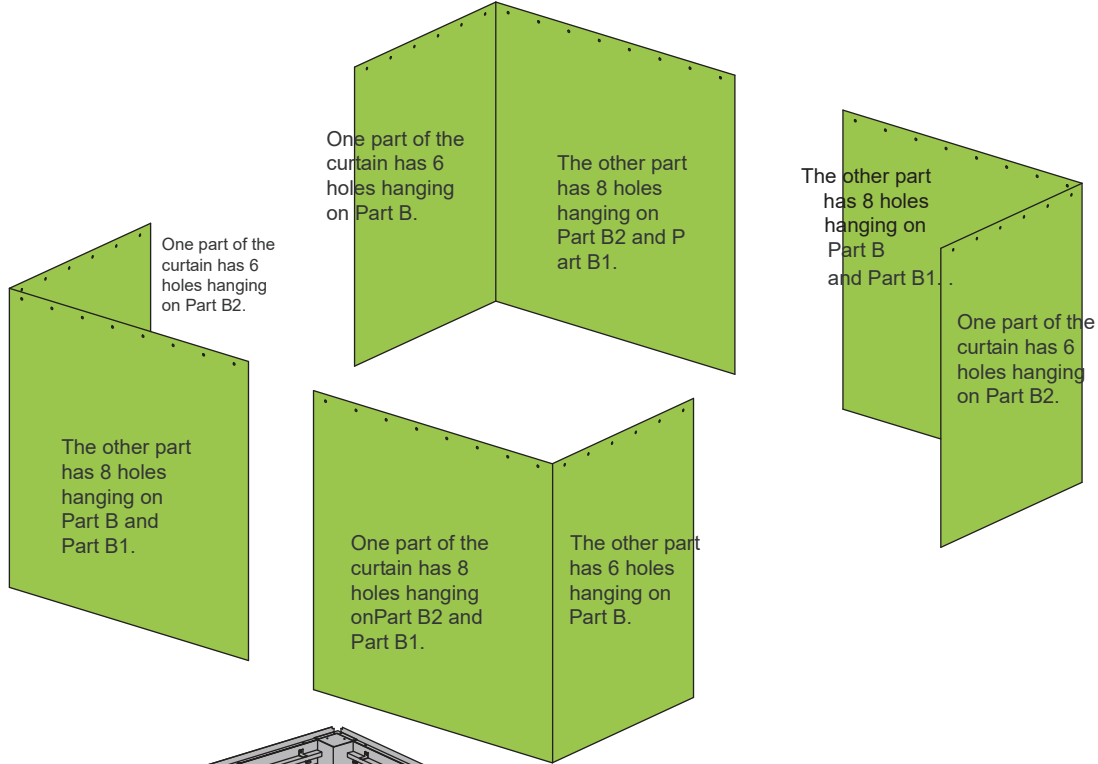
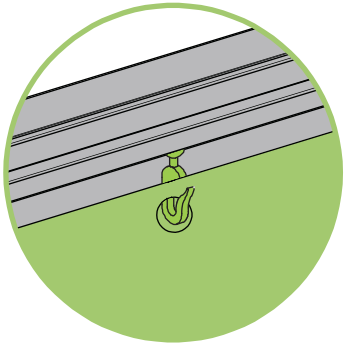
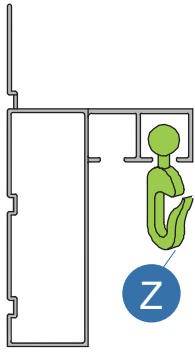


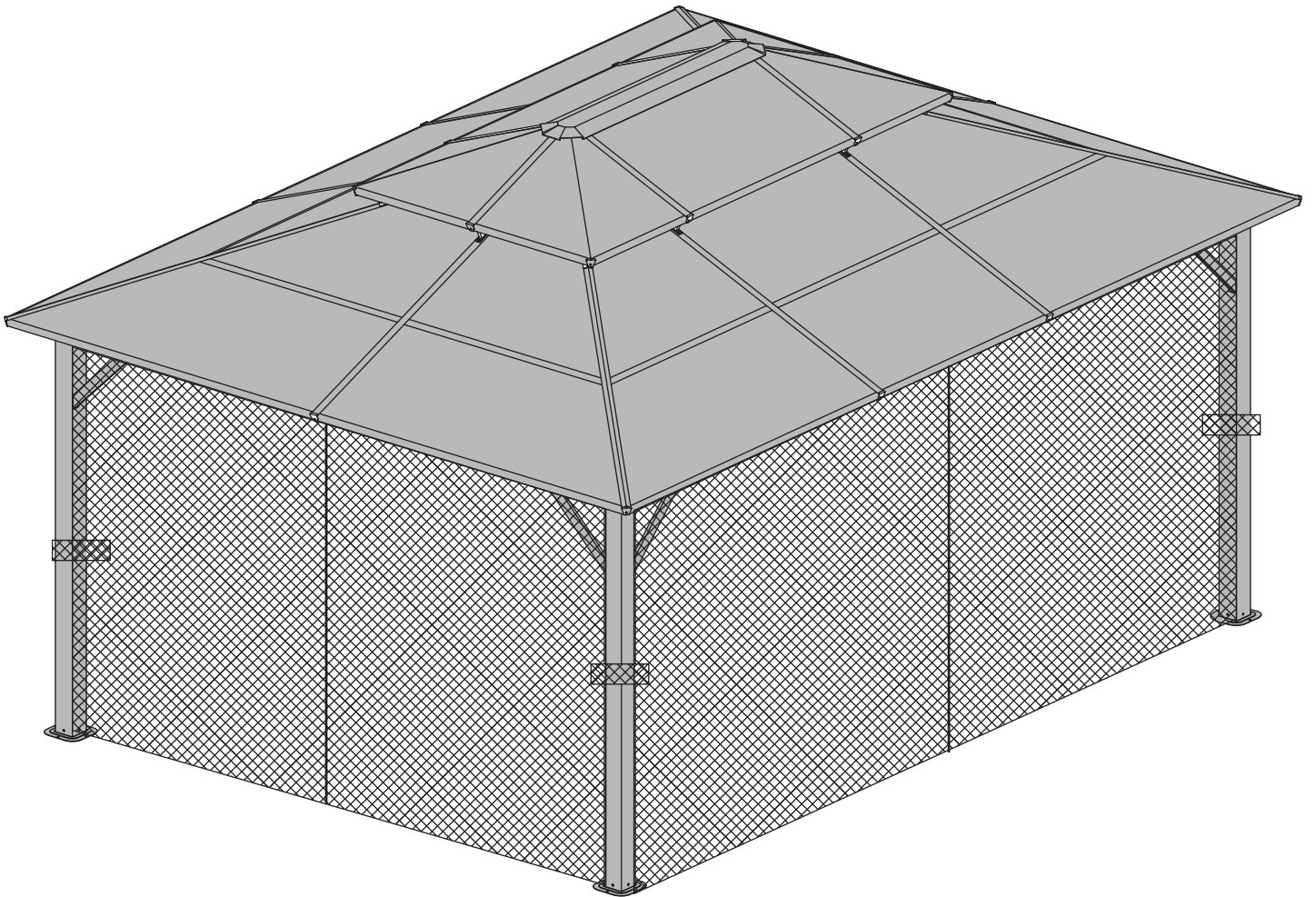
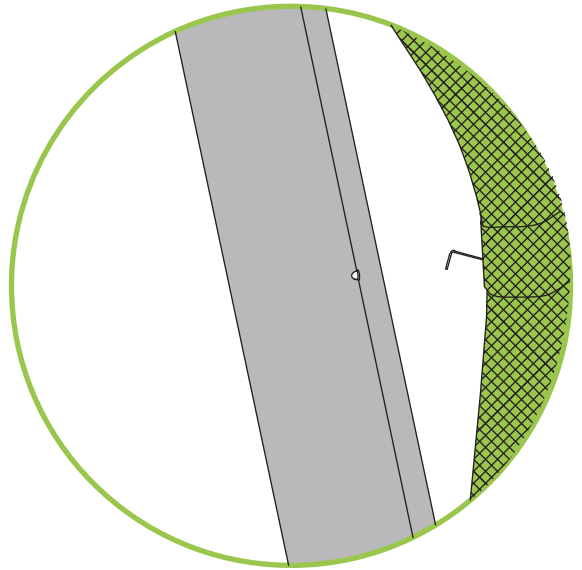
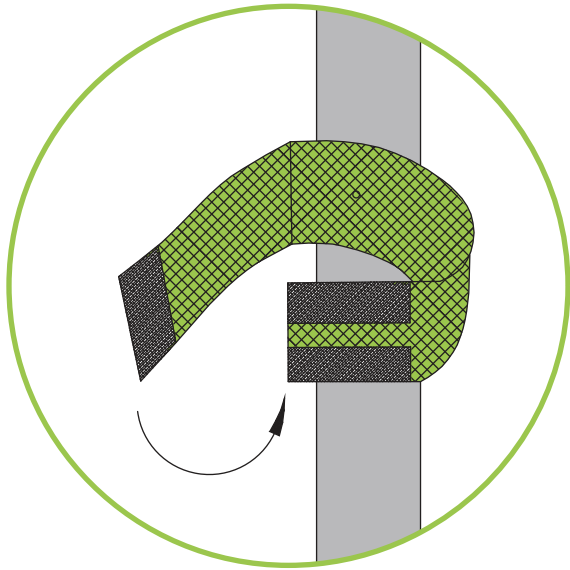
|   |               |   |               |   |                |
|---|---------------|---|---------------|---|----------------|
|   | <b>Q</b> x 4  |     | <b>Q2</b> x 4 |  | <b>U1</b> x 36 |
|  | <b>Q1</b> x 2 |  | <b>U</b> x 6  |   |                |





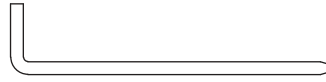
Net x 4



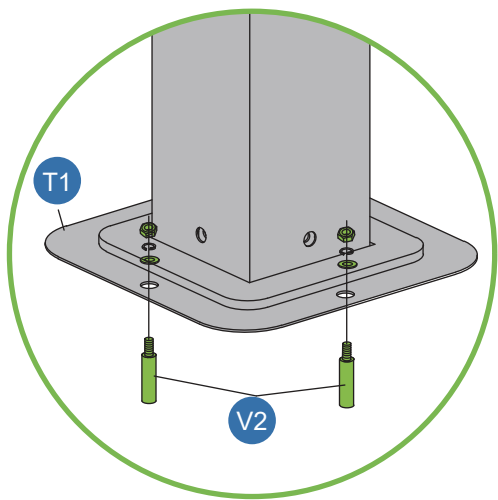
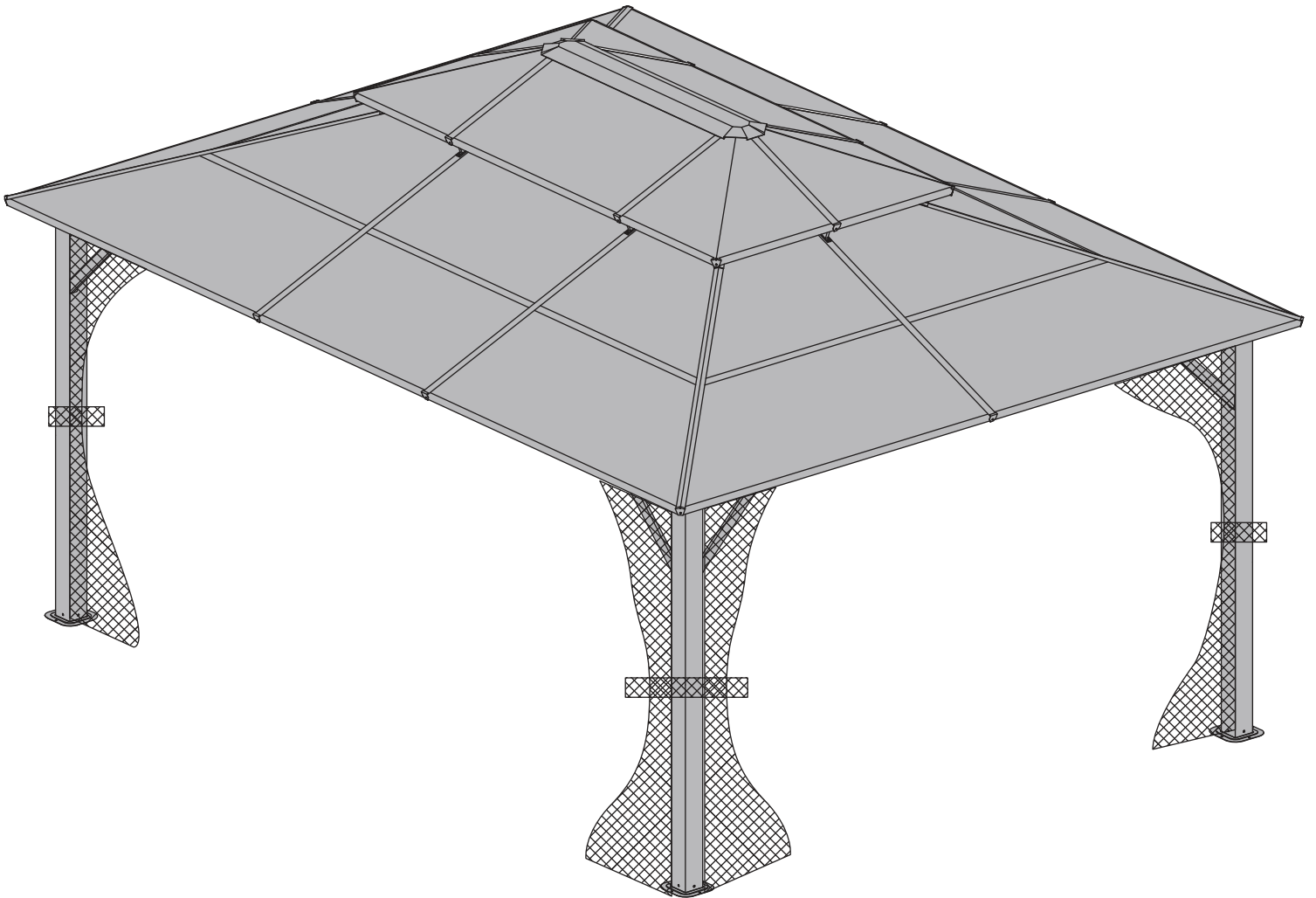




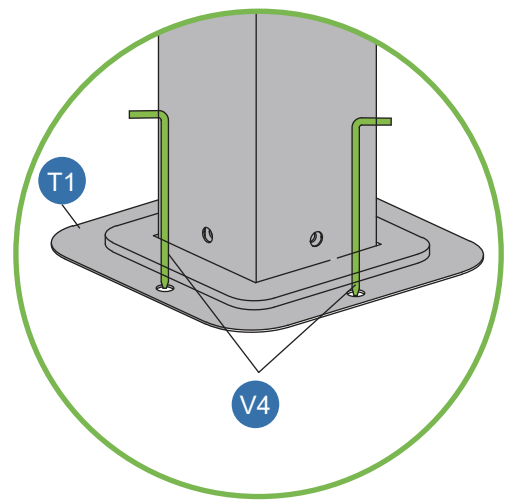
V2 x 16



V4 x 16



**Cement surfaces**



**Grassy surfaces**

**Installation Completed**



To improve wind resistance, be sure to complete this installation step. If expansion screws or ground nails are not installed, strong winds may topple the gazebo. Expansion screws are essential for stability on cement surfaces, and ground nails are for grassy surfaces. All are included in the accessories package.