

# TOTAL

One-Stop Tools Station

TOTAL



# 1800W

# Security instructions



## Caution

Read all safety warnings and all instructions. Failure to comply with them may cause electric shock, fire and/or serious injury.

The term “power tool” in the warnings refers to your mains-operated (corded) power tool or battery-operated (cordless) power tool.

*Note: Save all warnings and instructions for future reference. Due to our ongoing R&D&I program, the specifications in this document are subject to change without notice.*

## Electric components

- Never touch the mains plug or socket with wet hands. Risk of electric shock.
- Check whether the power cord with the plug is damaged before each use. Do not use the machine if a power cord or other parts/accessories of the machine are damaged.
- All current-carrying parts in the work area must be protected against jets of water.
- The mains plug and the coupling of an extension cable must never be immersed in water. Also, the coupling must not rest on the ground.
- Make sure that the power cord or extension cord will not be damaged by running over, pinching, dragging, or the like. Protect the power cables from heat, oil, sharp edges and the like.
- Unplug the machine whenever it is unattended.



## Caution

The tool can only be connected to alternating current. The voltage must correspond to that on the machine's nameplate and must be connected to an electrical supply installed in accordance with regulations.

For safety reasons, we recommend that you operate the machine only through a residual current device (max. 30mA).

An unsuitable electrical extension cord can be dangerous. Use only an extension cord that has been approved and labeled for this purpose.

Always unwind the extension cable completely from the cable drum.

## Safe driving

- The user must use the pressure washer as intended. The person must take into account the local conditions and must pay attention to other people in the vicinity when working with the power tool.
- Check important components such as high pressure hose, spray gun and safety facilities before each use. Immediately replace damaged components. Do not use the machine with damaged components.
- This pressure washer has been designed to be used with the cleaning agent supplied or recommended by the manufacturer. The use of other cleaning agents or chemicals may adversely affect the safety of the tool.
- High pressure jets can be dangerous if used incorrectly. The jet must not be directed at people, live electrical equipment or the machine itself. Also do not direct the jet at yourself or other people in order to clean clothes or shoes.

- Do not use the machine within reach of people unless they are wearing protective clothing. Wear appropriate personal protective equipment (PPE) while using the machine.
- The machine must not be used by children or personnel who are not trained or who lack experience and knowledge in the use of the tool. Children must not play with this appliance.
- The jet of water that is emitted from the high pressure nozzle results in a repulsive power that acts on the manual spray gun. To reduce the effect of kickback, hold with both hands.
- Make sure you have a firm footing and a firm grip on the hand spray gun and spray lance. Never leave the machine unattended while it is running.



### Attention

- In case of long breaks, turn off the machine with the main switch or unplug it.
- Do not operate the machine at temperatures below 0°C.

### security devices

The safety devices of the machine are for the protection of the user and cannot be modified.

- **Power switch:** The machine switch prevents unintentional operation of the machine.
- **Gun trigger lock:** This lock locks the gun lever and prevents unintentional starting of the machine.
- **Pressure switch:** If the gun lever is released, the pressure switch shuts off the pump and the high pressure stream stops. If the lever is pulled, the pump turns back on.
- **Motor protection switch:** This motor protection device shuts down the device if the power consumption is high.
- **Personal protection equipment:** Wear protective clothing and safety glasses to protect against splashes containing water or dirt.  
During the use of high-pressure cleaners, aerosols can be formed. Inhalation of aerosols can cause damage to health.

Depending on the use, fully shielded nozzles (such as surface cleaner) can be used for high pressure cleaning which significantly reduce the emission of aqueous aerosols. The use of such a device is not possible with all applications.

## Other Additional Warnings

- The machine cannot work in explosive atmospheres or spray flammable liquids. Risk of explosion.
- Never use the product with flammable or toxic liquids or liquids with characteristics that are incompatible with its correct operation.



### Attention

In accordance with applicable regulations, the machine must never be used in the drinking water network without a system separator. Make sure that the connection of the water installation in which the high pressure machine works is equipped with a compliant system separator.

High pressure hoses, accessories and couplings are important for the safety of the machine. Use only high pressure hoses, fittings and couplings recommended by the manufacturer.

To ensure safety, use only original manufacturer or manufacturer-approved replacement parts.

Turn off the product and disconnect it from the power supply by removing the plug from the outlet before assembly, cleaning, purchase, maintenance, storage and transportation, etc.



### Caution

Be careful about the weight of the machine when selecting the storage location and during transportation to avoid accident or injury.

Long and continuous use of the machine can cause numbness in your hands, so you should wear gloves to keep your hands at a safe temperature. Also, take breaks at regular intervals to keep the machine running smoothly.



### Caution

- Improper use of detergents can cause serious injury or rust.
- Keep the cleaning agent out of the reach of children.
- Discharge residual pressure before disconnecting the product hose.
- Check before each use, and at regular intervals, that all metal fasteners are tight and that the product components are in good condition; inspect for broken or worn parts. Do not use the machine with these damaged components.

## Other risks

Even when the power tool is used as prescribed, it is not possible to eliminate all residual risk factors:

- a. Health defects resulting from vibration emission if the power tool is used for a longer period of time or if it is not managed and maintained properly.
- b. Injuries and property damage due to broken fixtures breaking suddenly.



### Caution

This power tool produces an electromagnetic field during operation. This field can, in some circumstances, interfere with active or passive medical implants.

To reduce the risk of serious injury, we recommend that persons with medical implants consult their physician before using this power tool.



If the cable is damaged or cut during work, do not touch the cable, immediately unplug the tool. Never use the machine with a damaged cable.









### Attention

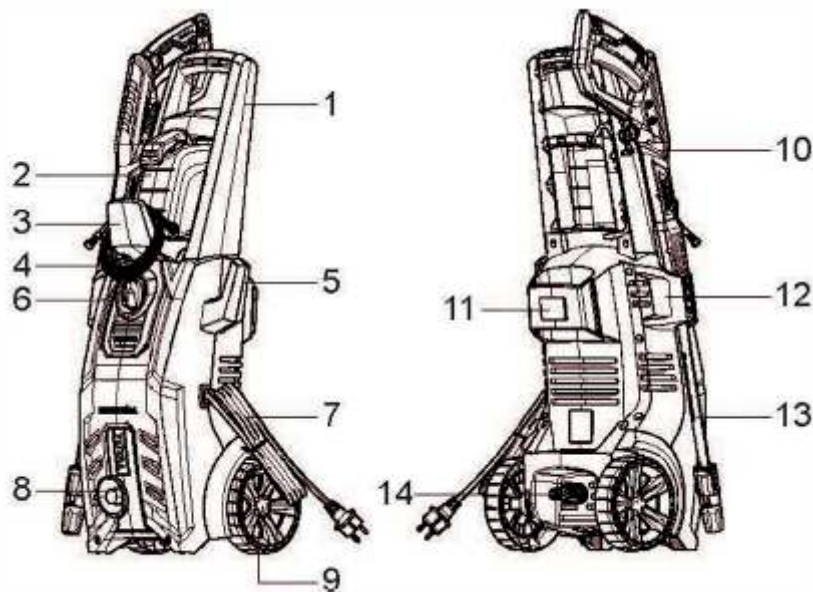
Safe operation of this machine is only possible when the operating or safety information is fully read and the instructions contained therein are strictly followed.



## Machine symbols

	The high pressure jet must not be directed at people, animals, live electrical equipment or the machine itself.
	The machine must not be directly connected to the public drinking water network.
	To protect yourself from injury, wear hearing protectors and safety glasses.
	Wear safety gloves during use to protect hands.
	Wear non-slip footwear that protects your feet and improves your footing on slippery surfaces.
	Sound power level is 92dB(A)

## Product description



1. Handle / handle

2. Detergent bottle

3. High pressure hose holder

4. High pressure hose

5. Hook for power cord

6.ON/OFF switch

7. Power cord

8. Water outlet

9. Wheels

10. Spray Gun

11. Spray wand holder

12. Gun mount

13. Spray lance

14. Water inlet

*Note: This pressure washer is designed with a nominal input current for the purpose of cleaning vehicles, buildings, terraces, facades and garden equipment. It must be done using clean water and biodegradable chemical detergents authorized by the manufacturer. Likewise, the product can be used to clean pavement slabs or rain gutters. Do not use this machine for activities that it was not designed for, risk of injury.*

*Note2: Not all accessories and product components described here need to be included.*



### Attention

- This product cannot be used to clean clothes, shoes and other textiles.
- The water jet must not be directed at people, animals, any electrical equipment or even at the product itself.
- The pressure washer must not work with flammable, explosive and toxic liquids.
- For use in private homes make sure that the drinking water system meets and is protected according to safety regulations.
- 

## Technical data

Data sheet	
<b>Voltage</b>	220-240V
<b>Frequency</b>	50/60Hz
<b>Power</b>	1800W
<b>protection class</b>	II
<b>Degree of protection</b>	IPX5
<b>Nominal pressure</b>	100bar (1450psi)
<b>allowable pressure</b>	150bar (2200psi)
<b>Nominal flow</b>	6.0l/min
<b>max. inlet pressure</b>	0.7Mp

## Operation and commissioning

### Mounting

Assemble the loose parts delivered with the machine before commissioning

#### 1. Installation of the handle



#### 2. High pressure hose bracket installation



### 3. Installing the spray lance to use the spray gun

Put the spray lance on the gun and rotate it until the two parts are completely locked.



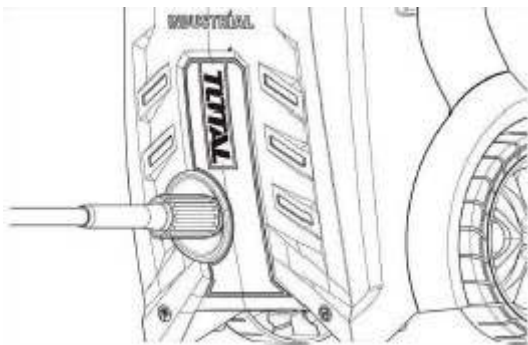
### 4. Connect the high pressure hose to the spray gun

Connect the silver end of the high pressure hose to the gun and turn the nut as shown to secure the connection.



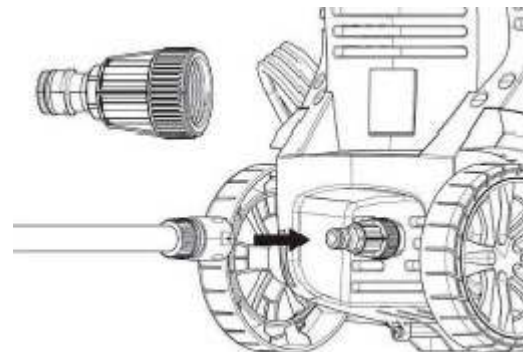
### 5. Connect the high pressure hose to the water outlet.

Connect the other end of the high pressure hose to the water outlet of the machine and turn the black swivel end piece as shown to secure the connection.



### 6. Connect the garden hose to the water inlet.

Connect the garden hose adapter (female coupler) to the pressure washer water inlet, then thread the garden hose (male end) onto the garden hose adapter.



## Start up

Place the machine on a flat surface and plug the pressure washer into the mains.

## Water supply

- For remote connection values, see nameplate.
- Impurities in the water can damage the high pressure pump and accessories.

## Fill the suction hose with water

Screw the suction hose onto the water connection of the machine and insert it into the water source (eg rainwater canister).

## Purge the device as follows before operation:

- Turn the machine "ON/OFF"
- Unlock the lever on the spray gun trigger.
- Push the lever on the trigger of the spray gun, the device will turn on.
- Let the device work (max. 2 minutes) until the water comes out of the gun without bubbles.
- Release the lever on the spray gun.
- Lock the spray gun lever.

## Machine operation

Dry running for more than 2 minutes causes damage to the high pressure pump.

If the machine does not build pressure within 2 minutes, turn it off and proceed according to the instructions in Chapter "Troubleshooting".

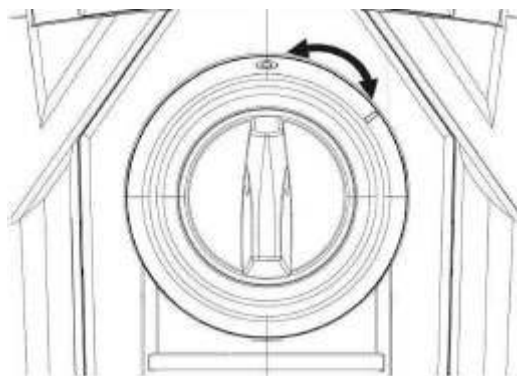
## High pressure operation

- Keep a distance of at least 30 cm when using the jet to clean painted surfaces to avoid damage.
- Make sure the on/off switch is in the OFF position and insert the plug into a properly installed outlet.
- The pressure washer must be used on a safe and stable surface in an upright position.



Connect the product to the electrical and water supply as described:

- Turn on the water supply.
- Hold the spray gun with both hands.
- Direct the nozzle of the chosen accessory away from you towards the surface to be cleaned.
- Unlock the trigger and press until a constant amount of water flows through the nozzle, allowing any air trapped in the hose to escape.
- Release the trigger.
- Turn on the "ON/OFF" switch



- Hold the spray gun with both hands. Direct the water jet towards the object to be cleaned and press the trigger.
- Release the spray gun lever; the device will turn off again and stop the water jet. High pressure remains in the system.

*Note: Beware of kickback when pulling the trigger.*

## Use with detergent

Detergent can only be added when the device works in low pressure mode.



### Attention

When using detergents, the material safety data sheet issued by the detergent manufacturer must be followed, especially the instructions related to personal protective equipment.

Remove the cap from the clean detergent bottle. Carefully pull the built-in detergent drawer out of its storage position.

Fill the tank with detergent designed specifically for use with pressure washers.

Push the detergent bottle with the opening down into the clean hose connection.

### Recommended cleaning method

- Spray the detergent sparingly on the dry surface and let it react, but do not dry.
- Spray loose dirt with the high pressure hose.

### *After operation with detergent*

- Remove the detergent bottle and close it with the cap.
- For storage, place the detergent bottle with the cap facing up.

### Interrupt/Stop

- Release the spray gun trigger lever.
- Lock the gun lever.
- Put the gun with the spray lance in the parking position.
- During longer breaks (more than 5 minutes), also turn off the machine with the "ON/OFF" switch.

### Ending

- Release the gun trigger lever.
- Turn the machine "ON/OFF".
- Disconnect the plug from the outlet.
- Only detach the high pressure hose from the gun or device when there is no pressure in the system.
- Depress the spray gun lever to release any remaining pressure in the system.

### Close the tap

- Depress the spray gun lever to release any remaining pressure in the system.
- Release the gun trigger lever.
- Lock the trigger gun lever.



### Attention

When disconnecting the supply or high pressure hose, warm water may leak from the connection after operation.

Disconnect the machine from the water supply.

# Maintenance and storage

## Transport

Be careful about the weight of the machine during transportation. There are potential hazards of both personal injury and property damage.

### carry by hand

- Turn off the product and disconnect it from the power and water supply.
- Pull the carrying handle until it clicks into place audibly. Attach shipping protectors, if applicable.
- Pull the machine by its carrying handle.

### transport in vehicles

- Before horizontal transportation: close the lid of the detergent bottle.
- Tilt the product toward you until it balances on the wheels. Then move it by its carrying handle.
- Protect the product from strong impacts or strong vibrations that may occur during transportation in vehicles.
- Secure the machine so it does not move or tip over.

## Storage

Be careful about the weight of the machine during storage. There are potential hazards of both personal injury and property damage.

### machine storage

- Park the machine on a flat surface.
- Separate the spray lance from the gun.
- Press the release button on the gun and pull the high pressure hose out of the gun.
- Place the gun in the gun storage compartment.
- Place the spray lance in the lance compartment.
- Roll up the high pressure hose and hang it over the corresponding compartment.
- Store the mains connection in the accessory compartment.
- Before long periods of storage, such as during the winter, also observe the instructions in the care section.
- Always store the pressure washer, parts and accessories in a place inaccessible to children.
- The ideal storage temperature is between 10°C and 30°C.
- Store the pressure washer indoors to prevent damage to the unit.
- We recommend using the original packaging for storage or covering the product with a suitable cloth or cover to protect it from dust.

### frost protection

Appliances and fixtures that are not completely drained can be destroyed by frost. Therefore, drain the machine and accessories completely and protect them against frost.

To avoid damage:

- Disconnect the machine from the water supply.
- Separate the spray lance from the gun.

- Turn the machine "ON".
- Push the lever on the gun until no more water comes out.
- Release the lever on the gun.
- Lock the gun lever.
- Turn the machine "OFF".
- Store the machine and all accessories in a frost-free place.

### Care and maintenance

Before any work on the machine, turn it off and pull out the plug due to risks such as electric shock.

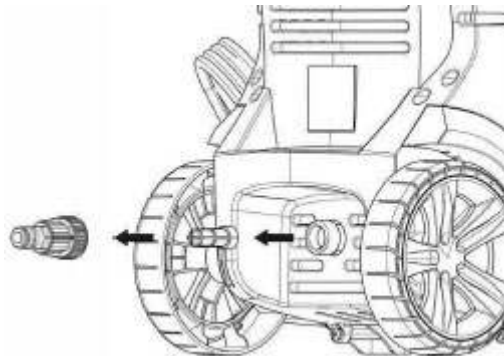
#### high pressure hose

The high pressure hose is specially manufactured with reinforced walls. However, it can be easily damaged and must be stored carefully.

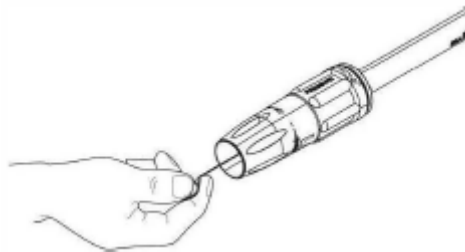
- Don't tangle the hose
- Do not drive vehicles over the hose.
- Do not expose the hose to sharp corners or edges. Improper use will result in swelling or premature failure and will void the warranty.

#### Clean the strainer in the water connection

- Regularly clean the screen of the water connection.
- Remove the coupling from the water connection and rinse with warm water to prevent any foreign matter from clogging the pump.



- Clean the nozzle with the provided needle cleaning tool. Remove the spray wand from the gun. Remove any dirt from the mouth of the nozzle and rinse.



- The sieve must not be damaged.
- Pull out the screen with flat pliers.
- Clean the sieve under running water.
- Replace the strainer in the water connection

## Problem solving

Switch off the machine and remove the main plug before carrying out any care and maintenance work.

Symptom	Possible cause	recommended action
The machine does not start	The machine is not plugged in Faulty power outlet The fuse has blown Faulty extension cord	plug in machine Try another plug. Replace fuse. Power off other machines. Try without the extension cord
fluctuating pressure	The pump draws air Dirty, worn or stuck valves Worn pump seals	Check that the hoses and connections are airtight. Clean and replace or consult your local dealer Clean and replace or consult your local dealer
the machine stops	Wrong mains voltage Thermal sensor activated Partially blocked nozzle	Check that the mains voltage corresponds to the specification on the model label. Let the washer cool down for 5 minutes. Clean the nozzle
The machine does not dispense water normally	Air in the inlet hose Inadequate mains water supply Partially blocked nozzle Blocked water filter kinked hose	Let the machine run with the trigger open until normal working pressure is restored. Check that the water supply corresponds to the required specifications Avoid using long and thin hoses (min. 1/2"). Clean nozzle/Clean filter Straighten hose.
The machine starts, but no water comes out	Frozen pump/hose or accessory no water supplies Blocked water filter / Blocked nozzle	Wait for pump/hoses or accessory to thaw. Connect the inlet water. Clean filter / Clean nozzle

If the error or problem still persists, contact an official dealer for maintenance and repair.

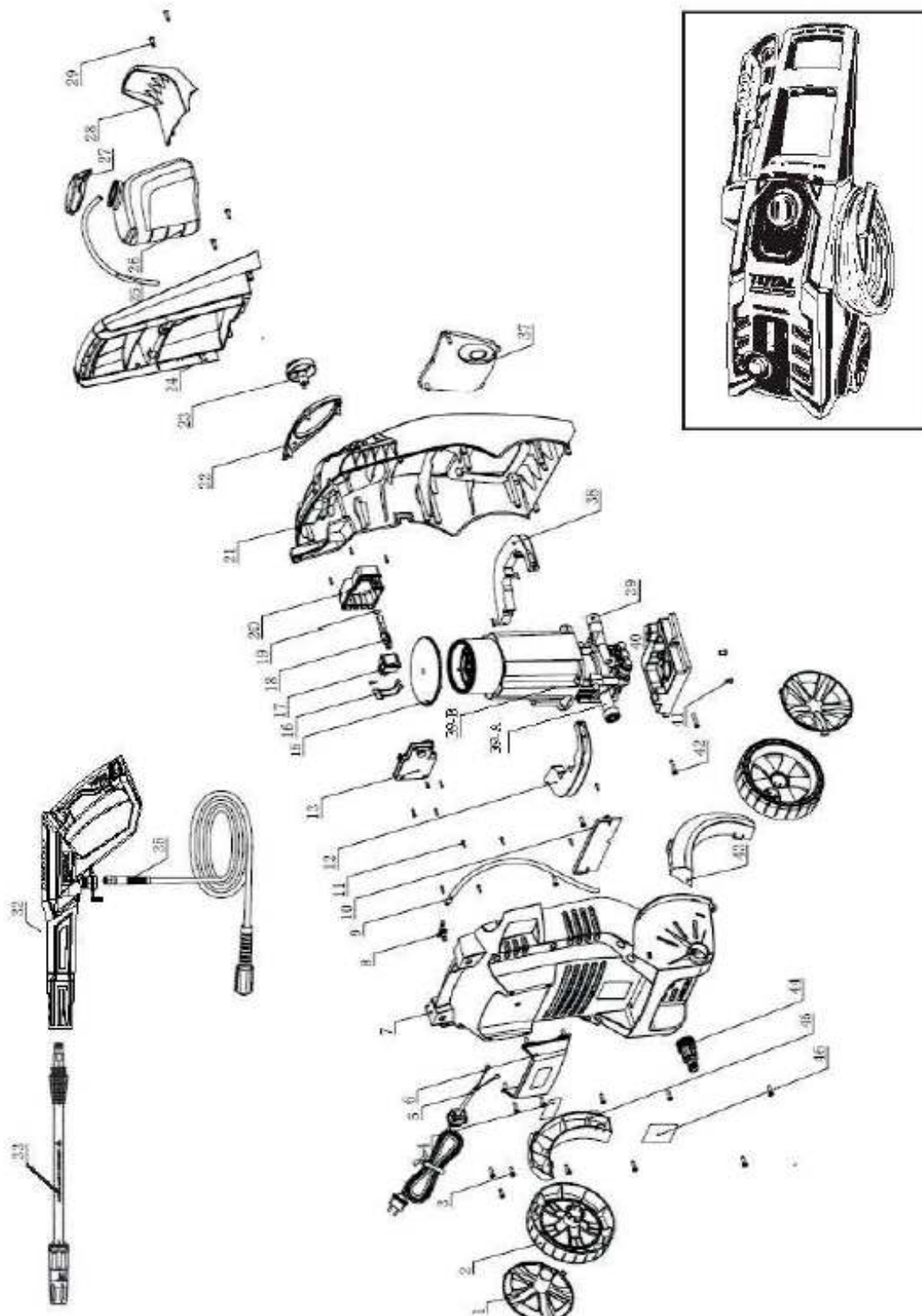
## Environment



- Do not dispose of electrical appliances as unsorted municipal waste, use separate collection facilities.
- Contact your local authority for information on available collection systems.
- If electrical appliances are disposed of in landfills, hazardous substances can seep into the groundwater and enter the food chain, harming your health and well-being.
- Recycle raw materials instead of disposing of them as waste.

- The machine, accessories and packaging must be sorted for environmentally friendly recycling.
- Plastic components are labeled for categorized recycling.

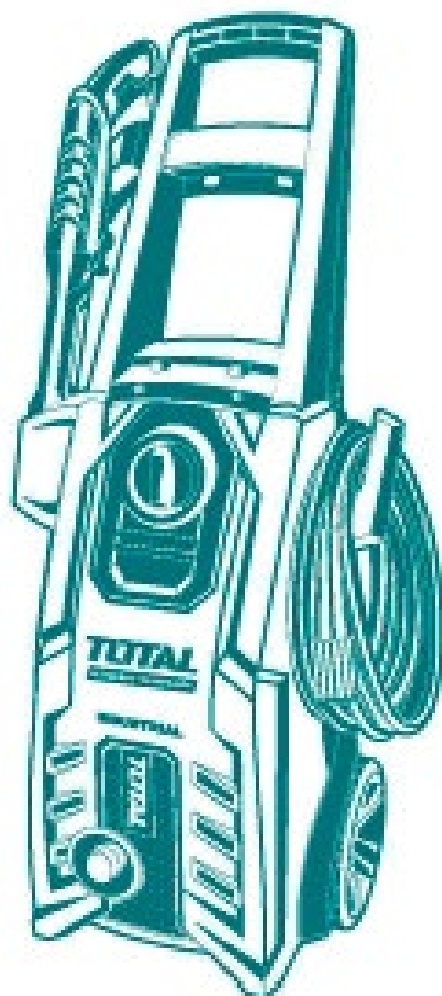
## Exploded view



# TOTAL

One-Stop Tools Station

TOTAL



**PRESSURE CLEANER**

# 1800W