

OPERATION GUIDE



TORNADO

4-Gallon 18V Battery
Powered Sprayer

Model #: SMSASM





ATTENTION

Please read the following information carefully. User must read and understand the entire manual before operating the sprayer. Failure to follow instructions or improper use could lead to sprayer failure and possible serious injuries.

- **DO NOT RETURN SPRAYER TO STORE.** If you experience issues or have questions, contact our Support Team M-F 9am-5pm EST at 1-803-339-2500 or email support@wessol.com.
- Never spray flammable, caustic, acidic, heat, pressure, or gas producing chemicals.
- Always read and follow chemical manufacturer's instructions before use with this sprayer as some chemicals may be hazardous when used with this sprayer.
- Never leave chemicals or solutions sitting in your sprayer after using.
- After using sprayer with chemicals, it is important to spray with fresh water for 3-5 minutes to ensure residual chemicals in the gun, wand, tank, pump, and hose are cleaned out.
- Read and follow all instructions and cautions on label of products used in this sprayer.
- Do not store your sprayer in extremely high temperatures. Heat can lead to the build-up of pressure within the sprayer, resulting in a possible explosion.
- Do not try to make modifications to the sprayer. Always use SprayMate® branded replacement parts from the manufacturer.
- Do not use batteries that are wet or have been damaged.
- Inspect sprayer hose, power knob, wand, and gun for damage or loose connections before each use.
- Do not lift or carry the sprayer by the hose, or wand. Carry by the handle only.
- Only spray when the air is calm (no wind or air movement) to prevent

chemical spray from drifting into unintended areas.

- Keep sprayer and all chemicals out of the reach of children.
- Remove chemicals and thoroughly clean the sprayer after each use. Failure to clean the sprayer may cause contamination of subsequent applications, will cause premature spray wear, and void the sprayer warranty.

NEVER spray petroleum oil distillates, or acetone through your sprayer. If using essential oils, thoroughly clean the sprayer after each use with warm, soapy water.

NOTES

- The sprayer may have residual water in it when first opened. This is due to quality testing every sprayer undergoes before leaving our factory.
- Some parts may be located under the tank lid or in the battery compartment when first assembling the sprayer.
- **THIS SPRAYER IS DESIGNED TO OPERATE WITH ONLY SprayMate® BRANDED BATTERIES AND ADAPTERS. ANY OTHER BATTERIES COULD CAUSE SERIOUS HARM OR INJURY TO THE OPERATOR AND SERIOUS DAMAGE TO THE SPRAYER.**

This product contains chemicals, including lead, known to the state of California to cause birth defects and other reproductive harm.



When using chemicals, always wear protective clothing, including respiratory protection masks, gloves, eye protection, etc.



Do not dispose of Lithium-ion batteries with household waste; recycle where facilities exist.

OPERATING

- Do not allow familiarity with products to make you careless. Remember that a single moment of carelessness is sufficient to cause serious injury.
- Always wear eye protection with side shields when handling or operating this sprayer. Failure to do so could result in serious injury from chemical contact or flying dirt or debris.
- The Lithium-ion battery pack can be used in temperatures down to 32°F. When operating in cold temperatures, put the battery pack in the battery compartment and use the sprayer in a light duty application. After about a minute the battery pack will warm up and begin operating normally.
- Always use the correct power setting for your application. Using the correct PSI and flow rate will result in a safer and more thorough treatment. For calibration resources please contact SprayMate® technical support. (Note: Always refer to local, state, and federal laws and regulations regarding your application.)
- Do not use the sprayer if the power switch is not functioning correctly.

Any power tool that cannot be controlled with the switch is dangerous and must be repaired.

- Remove battery before making any adjustments, changing accessories, or storing the sprayer. Disconnect the sprayer from the power source by removing the battery pack. These preventative safety measures reduce the risk of starting the sprayer accidentally.

STORING

- Store sprayer out of reach of children and do not allow persons unfamiliar with the power tool or these instructions to operate the sprayer. Power tools are dangerous in the hands of untrained users.
- Maintain sprayers and accessories. Check for misalignment or binding of moving parts, breakage of parts and any other condition that may affect the sprayers operation.

SAFETY

- Use the sprayer and accessories in accordance with these instructions, taking into consideration the working conditions and the work to be performed. Use of this sprayer for applications that it was not intended for could result in a hazardous situation.
- Keep handles and lift points dry, clean and free from oil and grease. Slippery handles and lift points do not allow for safe handling and control of the sprayer.
- Risk of fire or explosion: Never use this sprayer with liquids such as gasoline, ethanol, methanol, or any other flammable or gas producing chemicals. Do not use sprayer around sparks, flame, or smoke. Failure to adhere to these instructions may cause ignition, resulting in potential injury and damage to property.
- To reduce the risk of fire, personal injury, and product damage from a short circuit, never immerse the sprayer, battery, or charger in fluids. Do not place or store sprayer where it could fall or be pulled into a tub or sink. Corrosive or conductive fluids, such as seawater, certain industrial chemicals, and bleach or bleach containing products, etc., can cause a short circuit.
- Electric shock hazard: Never spray toward electrical outlets.
- Spray area must be well ventilated to avoid hazardous fume build-up. Always refer to the product label of the chemical being used for safety instructions and proper use practices.
- Avoid spraying on windy days. Spraying in windy conditions could cause chemicals to be blown onto persons, plants, or objects that are not intended to be sprayed.

DO NOT RETURN SPRAYER TO STORE, if you experience problems or have questions contact our Customer Support, M-F 9am-5pm EST at +1 (803) 339-2500, or email: support@wessol.com, or find more information at buyspraymate.com/pages/troubleshoot.

SAFETY CONT.

- Do not store chemicals in the tank. Chemicals can degrade seals and hoses. Drain and clean sprayer after each use. Failure to do so may void the sprayer warranty.
- Remove gloves before handling battery pack. Chemicals may be damaging to plastics.
- Thoroughly inspect the interior, exterior, and all components of the sprayer before each use. Check for cracked and deteriorated hoses, leaks, clogged nozzles and missing or damaged parts. If damaged, ensure the sprayer is repaired before use. Many accidents are caused by poor maintenance.
- Always remove the battery pack from the sprayer before performing any maintenance, storing or draining of the sprayer.
- Do not eat or smoke while handling or operating the sprayer. Refer to the product label of the chemical being used for user safety practices.
- Do not use the battery compartment for storage.
- Always use common sense and be cautious when using the sprayer. It is not possible to anticipate every situation that could result in a dangerous outcome. Do not use this sprayer if you do not understand these operating instructions or if you feel the work is beyond your capability.
- Maintain labels and nameplates. These carry important information. If unreadable or missing, contact SprayMate® Support.

***Manuals are subject to updates.
Scan the QR code to view the
most updated manual online!***



or visit: www.buyspraymate.com/pages/operation-guides

THE BATTERY

These batteries have been designed to provide maximum trouble-free life. However, like all batteries, they will eventually wear out. Do not disassemble battery pack and attempt to replace the batteries. Handling of these batteries especially when wearing rings or jewelry could result in serious burns.

- Recharge only with the charger specified by SprayMate®. A charger that is suitable for one type of battery pack may create a risk of fire when used with another batter pack.
- Only use sprayers specifically designated with their designated battery packs. Use of any other battery packs may create a risk of injury and fire.
- When battery pack is not in use, keep it away from other metal objects, like paper clips, coins, keys, nails, screws or other small metal objects, that can make a connection from one terminal to another. Shorting the battery terminals together may cause burns or fires.
- Under abusive conditions, liquid can be ejected from the battery; avoid contact. If contact accidentally occurs, flush with water. If liquid contacts

eyes, additionally seek medical help.

- Liquid ejected from the battery may cause irritation or burns.
- Do not use a battery pack or sprayer that is damaged or modified. Damaged or modified batteries may exhibit unpredictable behavior resulting in fire, explosion or risk of injury.
- Do not expose a battery pack or sprayer to fire or excessive temperature. Exposure to fire or temperature above 265°F (130°C) may cause explosion.
- Follow all charging instructions and do not charge the battery pack outside the temperature range specified in the instructions. Charging improperly or at a temperature outside the specified range may damage the battery and increase the risk of fire.

STORING BATTERY PACK LONGER THAN 30 DAYS

- Store the battery pack where the temperature is below 80°F and away from moisture.
- For long-term storage, regular charging of the battery is required to maximize battery life. Check the battery level using the indicator

lights every 4 weeks. Recharge the battery if it falls below 3 bars.

- Do not allow the battery to fully discharge.

BATTERY RECYCLING PREPARATION

- To preserve natural resources, please recycle or dispose of the batteries properly.
- This product contains Lithium-ion batteries. Local, state or federal laws may prohibit disposal of lithium-ion batteries in ordinary trash. Consult your local waste authority for information regarding available recycling and/or disposal options.

LITHIUM-ION BATTERY PACKS

- Lithium-ion batteries deliver fade free power for their entire run time. Lithium-ion batteries will not gradually lose power due to decreasing battery charge. Instead, power from the battery pack will drop from full to zero once the

full charge has been drained from the battery. Once this happens, recharging of the battery is required.

BATTERY PACK PROTECTION FEATURES

- Lithium-ion battery packs are designed with features that protect the lithium-ion cells and maximize battery life. If the sprayer stops during use, release the trigger to reset and resume operation. If the sprayer still doesn't work, the battery needs to be recharged.

If after 2 hours during the charging process, none of the LEDs are lit, remove the battery pack from the charger to avoid damaging the product. DO NOT insert another battery. Contact Customer Support for instructions on replacing the battery.

REGISTER YOUR SPRAYER!

To take advantage of the 1-year Limited Warranty from WESSOL, LLC. Register your sprayer at the website below:

www.buyspraymate.com/pages/register

LET'S
GET
SPRAYING!

Please read and follow this manual carefully to ensure that you get the most out of your new sprayer. If you need assistance with the assembly or operation of your sprayer, please don't hesitate to contact WESSOL, LLC via the support methods below:

www.buyspraymate.com

support@wessol.com

+1 803.339.2500

TABLE OF CONTENTS

ABOUT		page 8-9
1.1	specifications.....	page 8
1.2	what's in the box.....	page 9
SET UP		page 10-14
2.1	sprayer assembly.....	page 10
2.2	spraying.....	page 13
2.3	aftercare.....	page 14
TROUBLESHOOT		page 16-18
3.1	common solutions.....	page 16
3.2	replacement parts.....	page 17
3.3	warranty.....	page 19



WHAT ARE THE CAPABILITIES OF YOUR SPRAYER?

A SprayMate® is a highly efficient sprayer that is suitable for spraying many kinds of water-soluble chemicals.

This includes fertilizers, pesticides, cleaning products, etc. Powered by a 18V lithium-ion battery, this sprayer results in 2-3x more efficiency than a manual sprayer. This sprayer can be operated continuously for up to 2 hours and spray at a distance of 25 feet.

SprayMate® Tornado Specifications			
Model Number	SMSASM	Pump Type	Diaphragm
Battery Type	Lithium-ion	Spray Time	Up to 2 hours
Battery Voltage	18V	Spray Distance	25 feet
Battery Capacity	2.6Ah	Tank Capacity	4 gallons
Battery Charging Time	2 hours	Flow Rate	0.48 gal/min
Battery Cycle Life	750 cycles	Pump Life	500 hours
Battery Charger	12V/1A	Pressure	45 psi



WHAT'S IN THE BOX?

#	Name	#	Name	#	Name
1	4-Gallon Tank	6	Battery Door Parts	11	Inline Spray Handle
2	Tank Strainer	7	18V/2.6Ah Battery	12	45° Fan Nozzle
3	Tank Lid	8	21V/1A Charger	13	0° Pin Nozzle
4	Backpack Straps	9	Bottom Holster & Screws	14	Adjustable Nozzle
5	Battery Door Cover	10	Carbon Fiber Wand	15	5-Ft. UV-Resistant Hose

STEP 1

ASSEMBLING YOUR SPRAYER

1



Begin by inserting the bottom strap through the designated hole at the bottom of the tank blow mold.

2



Once inserted, tilt the buckle upward and insert on the underside of the buckle and pull through.

3



Once pulled through, insert again through the top side of the buckle and pull through.

4



The bottom strap can then be tightened once attached. Repeat Steps 1-4 on the other side.

5



Loop the top strap through the designated blow mold opening found on top of the tank.

6



Insert the top strap through the underside of the buckle and pull through completely.

7



Loop the strap back through the opening located on the upper side of the buckle.

8



Tighten once inserted by pulling upward on the strap and repeat on the other side.

9



To connect the padded strap to the lower strap, begin by inserting the lower strap through the upper side of the buckle.

10



Loop the strap over and through the buckle, the strap should come out underneath the tab on the buckle. Pull through to tighten.

11



Gather parts needed to install battery door cover: battery door (5), spring, pivot pin, screws (x2), clamps (x2). (6)

12



Set the spring inside the pockets of the battery door and align the spring with the pockets.

13



Install the pivot pin by inserting through the battery door and the spring pockets.

14



Place battery door (5) into battery holster and firmly press into place. Push the pivot pin under and behind the teal hinge pocket.

15



Once the battery door (5) is inserted, place the clamps as shown.

16



Place the screws into the clamps. Using a Phillips head screwdriver, screw into place to secure battery door.

17



Attach the hose (14) by threading it onto the inline spray handle. (11)

18



Attach the carbon fiber spray wand (10) onto the other end of the in-line spray handle (11) by screwing the wand collar into the threads on the spray handle.

19



Attach your nozzle of choice to the carbon fiber wand (10) by screwing the wand collar into the threads on the nozzle.

20



To change the TeeJet® style nozzle included with your sprayer, begin by unscrewing the cap from the 45° base.

21



Remove the TeeJet® style tip along with the o-ring gasket from inside the cap.

22



Insert your spray tip of choice, then place the o-ring gasket on top of the spray tip.

23



Screw the nozzle base back onto the nozzle tip and cap.

24



Place the bottom holster (9) on the proper location on tank. While holding the holster, place a nut on one side of the hexagonal slot and screw the bolt through the other side until it fastens into the nut. Repeat for other slot on bottom holster. The wand can be placed in the holster until ready to spray.

STEP 2

PREPARING TO SPRAY

1. Charge the battery fully before first use. In a separate container, prepare the solution you want to spray according to the manufacturer's instructions. Open the tank lid and carefully pour the solution through the intake filter. Securely tighten the tank lid.
2. Determine which nozzle is appropriate for your project. Attach the nozzle by threading it onto the carbon fiber wand.
 - a) **Adjustable cone nozzle** = adjustable conical mist to jet stream
 - b) **45° fan nozzle** = angled flat fan spray
 - c) **0° pin nozzle** = straight pin stream spray
3. Insert the battery (7) into the battery holster located underneath the battery door cover (5) of the sprayer tank and snap the cover in place.
4. Turn the pump on by flipping the power switch on the side of the unit.
5. Begin spraying by squeezing the trigger on the in-line spray handle.

Priming your sprayer

NOTE: Although rare, when spraying for the first time or after storing the sprayer for an extended amount of time, the sprayer may need help priming. If the sprayer turns on and you can hear the pump running, but no liquid is passing through the sprayer, you will need to manually prime the sprayer according to the steps below:

1. With the sprayer off, remove the battery and make sure the battery cover is shut.
2. Remove the tank lid and take the tank strainer out to reveal the inside of your sprayer tank.
3. Locate the inlet filter at the bottom of the sprayer tank (See diagram 3 on page 14 for a visual representation). Gently wiggle the inlet filter until it comes apart from the pump connection. Set aside.
4. Using a garden hose or similar delivery method, rapidly run clean water into the connection where the inlet filter was.
5. Reinstall the inlet filter with the mesh screen facing the bottom of the tank, fill the sprayer with some water, and insert a charged battery. Test the sprayer by activating the spray trigger.

AFTERCARE

Sprayer maintenance

CAUTION: Failure to properly rinse out the sprayer may cause chemical residue build-up that can clog or damage internal and external components. Leaving chemical liquids in the sprayer when not in use can lead to premature wear and voiding of the warranty. Never store the sprayer with chemical inside.

1. With the sprayer off, dispose of extra product based on the manufacturer's instructions. Rinse out any residual solution in the spray tank with warm soapy water. Then, spray fresh water through the sprayer for 3-5 minutes to clear the sprayer of chemicals.
2. Disconnect the spray gun from the hose and allow the hose to hang down towards the ground; draining the hose of liquid.
3. Thoroughly dry the sprayer tank and clear the nozzles and inlet filter of any build-up.
4. Store the sprayer in a dry, clean, and shaded place to protect it from extreme heat or frost.

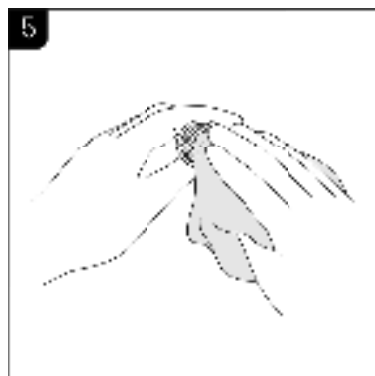
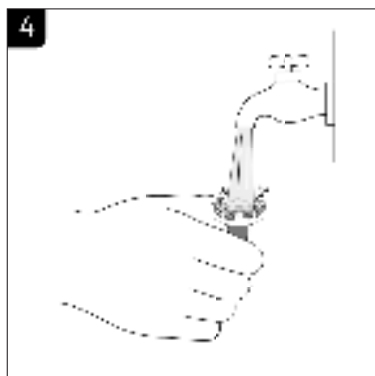
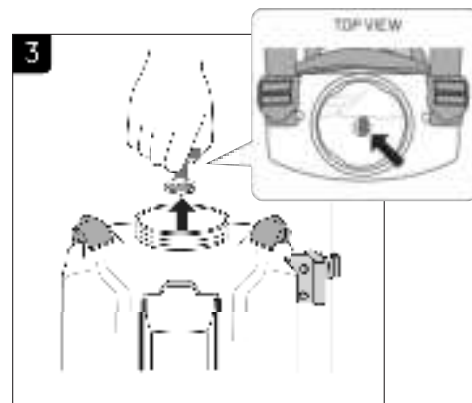
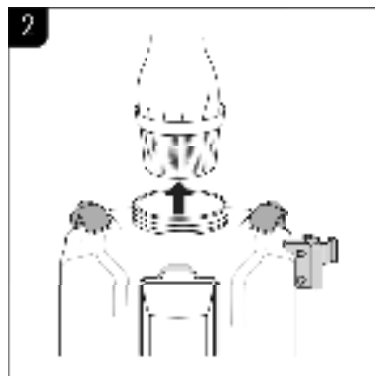
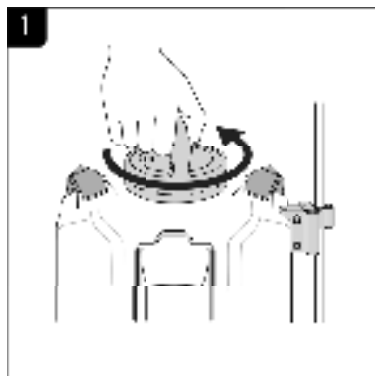
NOTE

For long-term storage, regular charging of the battery is required to maximize battery life. Check the battery level using the indicator lights every 4 weeks. Recharge the battery if it falls below 3 bars. Do not allow the battery to fully discharge.

Cleaning the inlet filter

NOTE: It is recommended you clean your inlet filter at least every other time your sprayer is used. Buildup at the inlet filter can cause damage to the pump and reduce spraying pressure.

1. With the sprayer off and battery removed, take off the tank lid.
2. Lift the tank strainer out of the mouth of the sprayer tank and set aside.
3. Reach into the sprayer tank and gently pry the inlet filter from the pump connection at the bottom of the tank.
4. Rinse the inlet filter with fresh water and get rid of any debris or particles.
5. Taking a clean cloth, wipe down the filter screen and dry the inlet filter. Reassemble the sprayer with the inlet filter and store the unit in protected area.



TROUBLESHOOTING YOUR SPRAYER

To contact Technical Support, message support@wessol.com.

PROBLEM	POSSIBLE REASON(S)	SOLUTION
Sprayer is not turning on and there is no sound coming from the sprayer.	Dead battery	Charge the battery. If the battery will not charge, test the charger or contact Support for a replacement if under warranty.
	Loose/worn connections on power switch	Remove back plate. Using pliers, move all three wires on the power switch over to the neighboring side, to the extra set of wire contacts.
	Defective micro-switch	Purchase replacement part or contact Support for help.
	Defective circuit board	Purchase replacement part or contact Support for help.
Leaks from gun/nozzle area.	Loose connection	Ensure spray handle is fully tightened onto threaded end of the hose.
	Missing or worn gasket	Contact Support or go to buyspraymate.com to purchase replacement gaskets.
Clogged pump / hose / gun / wand / nozzle.	Not rinsing tank / pump / hose / gun / nozzle(s) with water after use.	Rinse sprayer thoroughly with warm, soapy water after each use.
Dead battery	Defective charger	If the LED indicator lights do not turn on or only one red LED is on after being on charger for over 2 hours, test the charger using a multimeter. Replace if necessary.
	Damaged lithium cells	If the battery receives no reading from a multimeter, a replacement battery is needed.
Pump makes a sound when sprayer is on and output is	Clog in filter or nozzle	Check filter or nozzles for clog. Using warm water, thoroughly clean the components.
	Clog in pump	Open the pump and clean. Contact Support for assistance.
Leak from sprayer tank	Loose hose-pump connection	Open back plate and identify the hose clamps. Use a flathead screwdriver to tighten.
	Damage on pump	Replace the pump.
	Damage on tank	Replace the sprayer tank.



FZRAQX-V2



SMSAAT



FZAAEN



FZAAEP



SMAASQ



FZRAFL



SMRASP



FZRABW



SMRASR



FZRAFD



FZRACM



SMRASS



SMRAEK



FZRAGU

REPLACEMENT PARTS & ACCESSORIES

Visit buyspraymate.com to view and purchase parts.

SKU	Name	SKU	Name
FZRAQX-V2	Inline Spray Gun & Wand	FZRAFL	5-Ft. Hose
SMSAAT	Nozzle Bundle	FZRACM	Inlet Filter
FZAAEN	18V/2.6Ah Battery	FZRABW	Tank Strainer
FZAAEP	21V/1A Charger	FZRAGU	4-Gal Sprayer Tank
SMAASQ	Backpack Straps	SMRASS	Top Holster
SMRASR	Tank Lid	SMRAEK	Bottom Holster
FZRAFD	Diaphragm Pump	SMRASP	Front Cover



WESSOL, LLC LIMITED WARRANTY

WARRANTY COVERAGE

WESSOL, LLC warrants to the original purchaser that the SprayMate® product will function as intended under normal use and consistent maintenance, subject to certain limitations and exclusions. At the discretion of WESSOL, LLC, we will repair or replace any parts found to be defective in material or workmanship without charge, apart from shipping and handling costs, during the covered warranty period.

WARRANTY PERIOD

The warranty period will begin from the date of retail purchase and exist for one (1) year, regardless of when the unit is placed in service. The warranty period is not extended if we opt to repair or replace the product in question.

WARRANTY CLAIMS

WESSOL, LLC reserves the right to require the return of the defective product, proof of purchase, and established product registration to file a claim under this warranty.

If the product fails to function as intended **DO NOT RETURN IT TO THE STORE**, call our Technical Support hotline at +1 803-339-2500, or email warranty@wessol.com

PRODUCT REGISTRATION

All sprayers purchased from FlowZone or an authorized distributor must be registered online to validate the warranty and allow for warranty claim processing. Sprayers can be registered at buyspraymate.com/pages/register.

EXCLUSIONS AND LIMITATIONS

WESSOL, LLC only warrants products purchased from authorized distributors. Products purchased from unauthorized resellers or distributors are not subject to warranty services.

The limited warranty does not cover damages, loss, or injury resulting from transportation, storage, accident, improper use, neglect, modifications, normal wear, or operation not in accordance with the instruction manual. WESSOL, LLC reserves the right to change the design or specifications of any product without obligation to modify previously produced units.

ANY IMPLIED WARRANTIES, INCLUDING THE IMPLIED WARRANTY OF MERCHANTABILITY AND FITNESS FOR CONSUMER USE, ARE LIMITED TO THE DURATION SPECIFIED ABOVE. WESSOL, LLC'S LIABILITY IS LIMITED SOLELY

TO THE REPAIR OR REPLACEMENT OF THE NON-FUNCTIONING PRODUCT OR PART. WESSOL, LLC EXCLUDES LIABILITY UNDER THIS WARRANTY FOR ANY AND ALL INCIDENTAL AND CONSEQUENTIAL LOSS OR DAMAGE.

In no event shall WESSOL, LLC be liable for any incidental, special, consequential or punitive damages, or for any costs, attorney fees, expenses, losses or delays alleged to be as a consequence of any damage to, failure of, or defect in any product including, but not limited to, any claims for loss of profits.

Some states do not allow limitations on how long an implied warranty lasts, or the exclusion or limitation of incidental or consequential damages, so these limitations or exclusions may not apply to you. This warranty gives you specific legal rights and you may have other rights which vary from state to state.



To file a warranty claim, visit:
buyspraymate.com/pages/warranty



buyspraymate.com

hello@buyspraymate.com