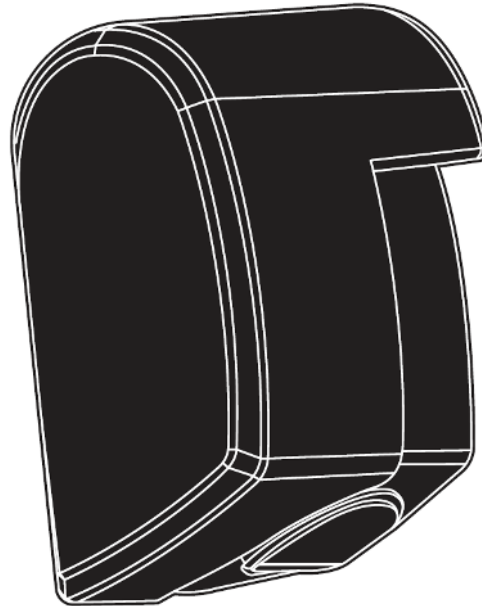


AWNING



301199, 301294



Manufactured for  **LIPPERT**[®]

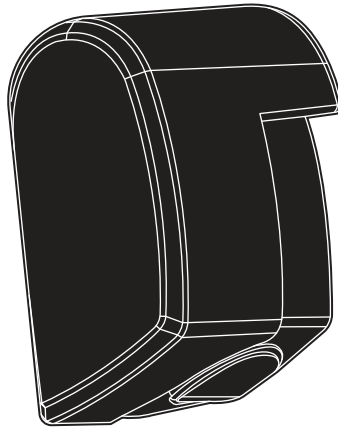
Lippert provides this and other Thule product manuals for download from its website at <https://support.lci1.com/thule-awnings>.

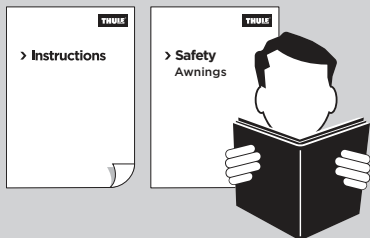
INSTALLATION

➤ Instructions

Thule CROWN 5200 Motor Kit 12V TH

301199, 301294





DE	Markise - Anleitung
NL	Luifel - Instructies
FR	Store - Instructions
IT	Tendalino - Istruzioni
ES	Toldo - Instrucciones
SV	Markisen - Instruktioner
FI	Markiisit - Ohjeet
DA	Markisen - Instruktioner
NO	Markisen - Instruksjoner

PL	Markiza - Instrukcje
PT	Toldo - Instruções
CS	Markýza - Návod
SL	Ponjava - Navodila
TR	Güneşlik - Talimatlar
ZH	遮阳篷 - 说明
JA	オーニング - 取扱説明書
KO	어닝 - 지침

INSTALLATION**4****1 WARNINGS & INFO****4**

Warnungen & Infos / Waarschuwingen & info / Avertissements & informations / Avvertenze & informazioni / Advertencias & información / Varningar & information / Varoituksia & tietoja / Advarsler & info / Advarsler & information / Ostráženia & informácie / Avisos e informações / Varování a informace / Opozorila in informacije / Uyarılar ve Bilgiler / 警告和信息 / 警告と情報 / 경고 및 정보

2 CONTENT**4**

Inhalt / Inhoudsopgave / Sommaire / Contenuto / Contenido / Innehåll / Sisälllys / Indhold / Innhold / Treść / Índice / Obsah / Kazalo / İçerik / 目录 / 目次 / 목차

3 TOOLS**4**

Werkzeuge / Gereedschappen / Outils / Strumenti / Herramientas / Verktøy / Työkalut / Værktøj / Verktøy / Narzędzia / Ferramentas / Nářadí / Orodja / Aletler / 工具 / ツール / 도구

4 INSTALLATION**5**

Montage / Installatie / Installation / Installazione / Instalación / Montering / Asennus / Montering / Montering / Montaż / Instalação / Montáž / Namestitev / Montaj / 安装 / 取り付け / 설치

5 ELECTRICAL INSTALLATION**8**

Elektrische Installation / Elektrische installatie / Installation électrique / Installazione elettrica / Instalación eléctrica / Elinstallation / Sähköasennus / Elektrisk montering / Elektrisk montering / Instalacja elektryczna / Instalação eléctrica / Elektroinstalace / Električna namestitev / Elektrik Montaji / 电气装置 / 電動取り付け / 전기적 설치

TROUBLESHOOTING**13**

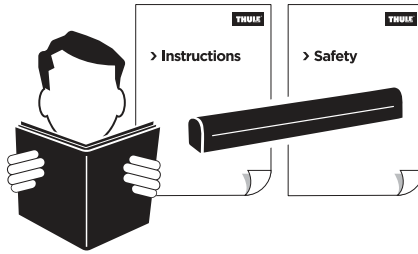
Problembehandlung / Problemen oplossen / Dépannage / Risoluzione dei problemi / Solución de problemas / Problemsökning / Vianmäärittys / Fejlfinding / Feilsøking / Rozwiązywanie problemów / Resolução de problemas / Odstraňování problémů / Odpravljanje težav / Sorun Giderme / 故障排除 / 트러블슈루ーティング / 문제해결

6 MANUAL OVERRIDE**13**

Handnotbetätigung / Handmatige overbrugging / Remplacement manuel / Dispositivo di soccorso manuale / Anulación manual / Manuell äsidosättning / Manuaalinen ohitus / Manuel tilsidesætning / Manuell overstyring / Przejście na sterowanie ręczne / Desactivação manual / Ruční ovládání / Ročna zaustavitev / El ile devre dışı bırakma / 手动顶升 / 手動オーバーライド / 수동 재정의

INSTALLATION

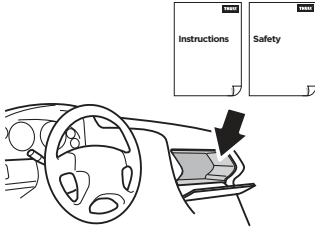
1 WARNINGS & INFO



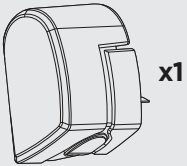
OK



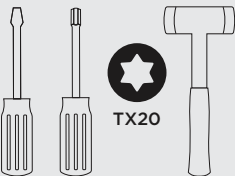
NOK



2 CONTENT



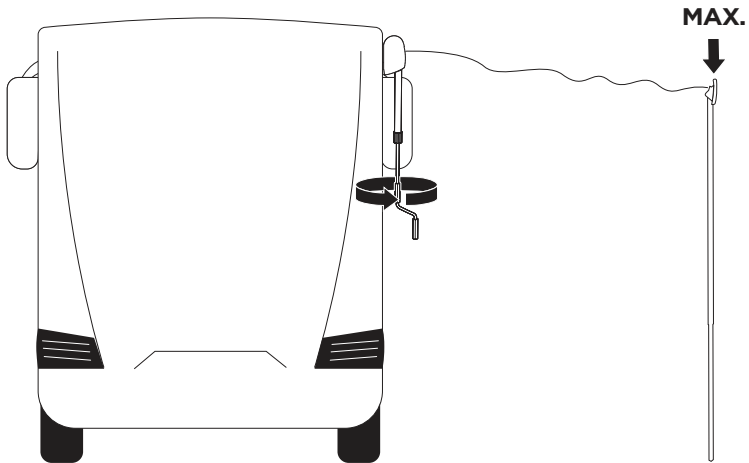
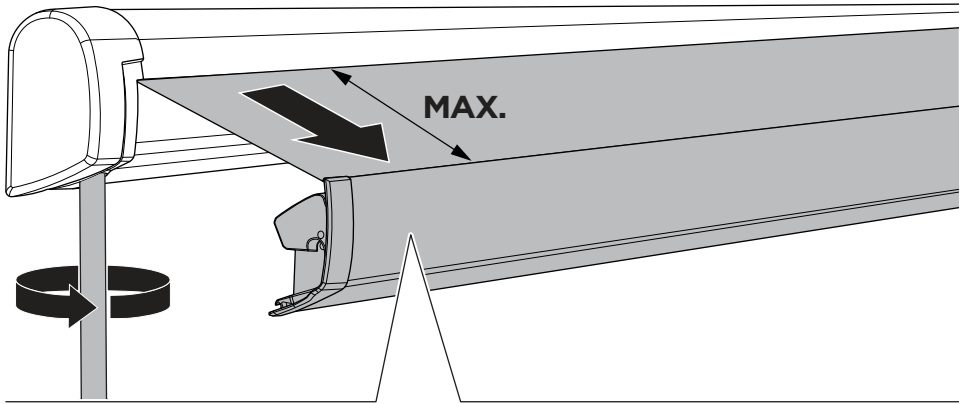
3 TOOLS



TX20

4 INSTALLATION

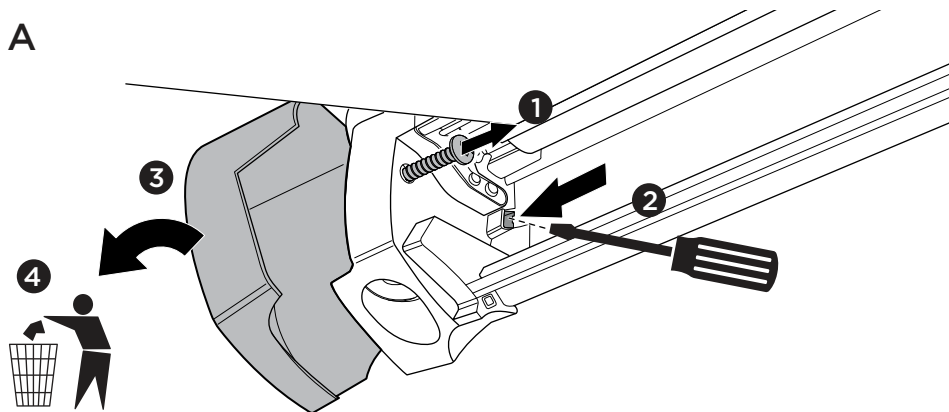
1



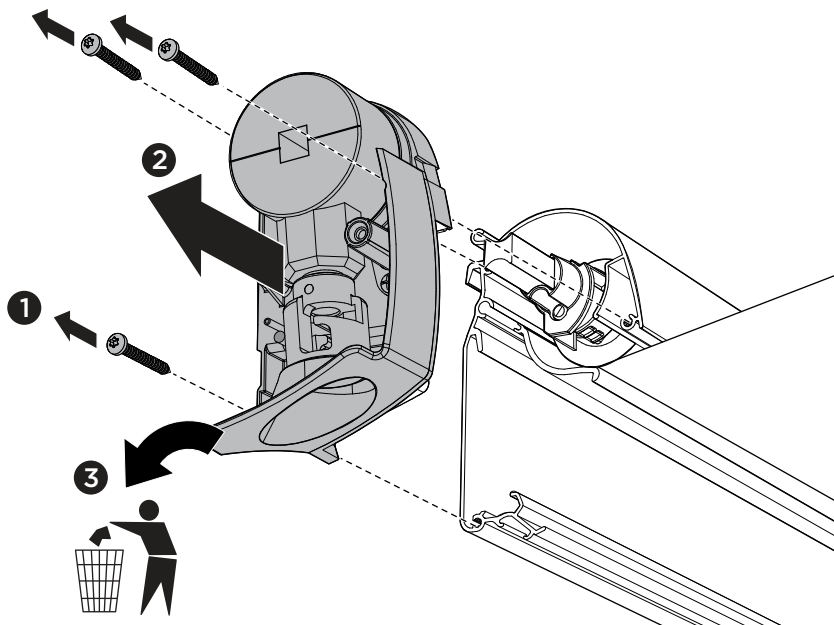
2



A



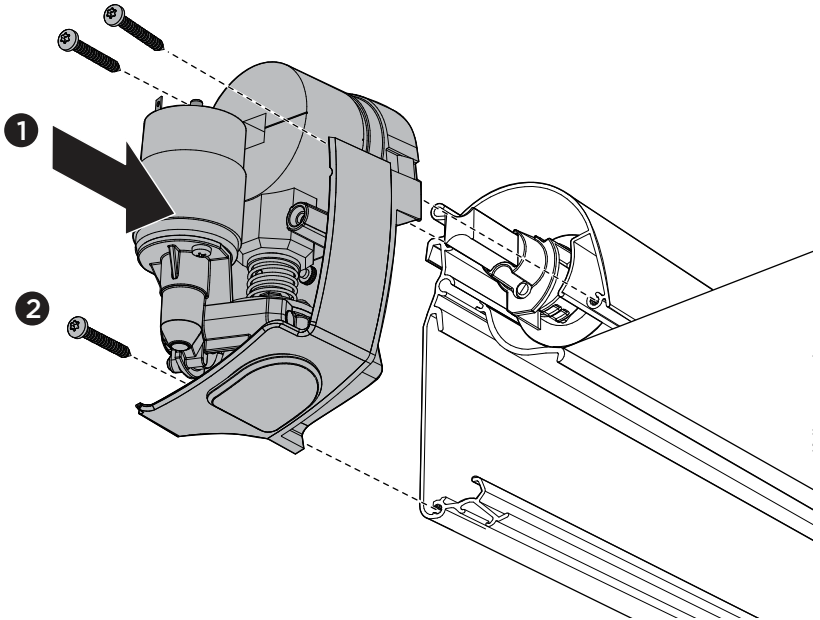
B



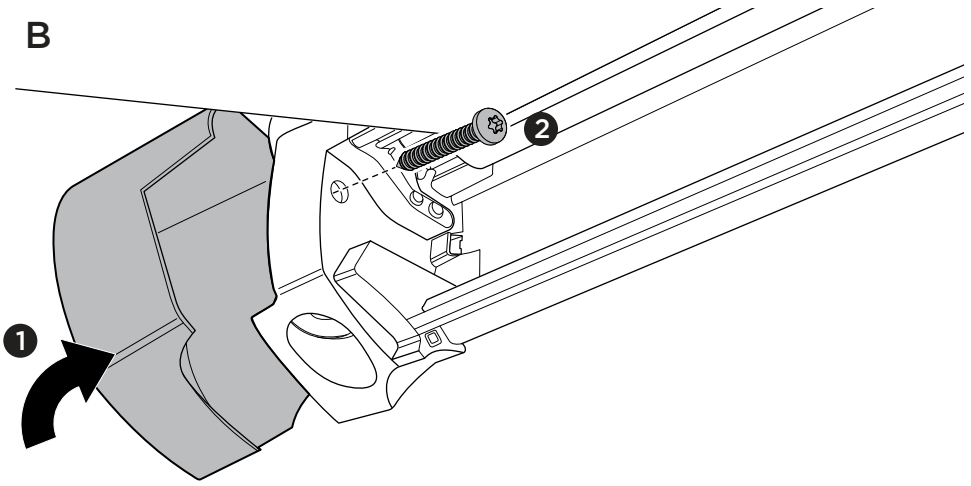
3



A

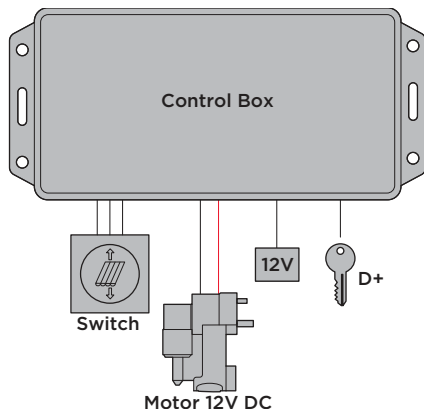


B



5 ELECTRICAL INSTALLATION

OPERATION ONLY BY SWITCH WITH MOMENTARY CONTACT!

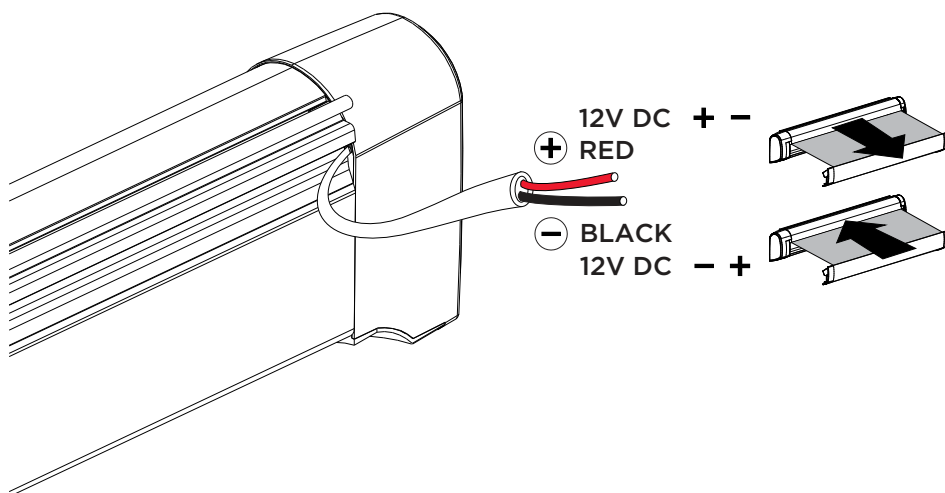


THULE MOTOR 12V TECHNICAL SPECIFICATIONS

Supply	12V DC
Current	Nominal: 10A / Peak: 20,5A
Nominal Torque	3 Nm
Nominal Speed	58 - 70 rpm
Mechanical Limit Setting	✓
Emergency Manual Operation	✓

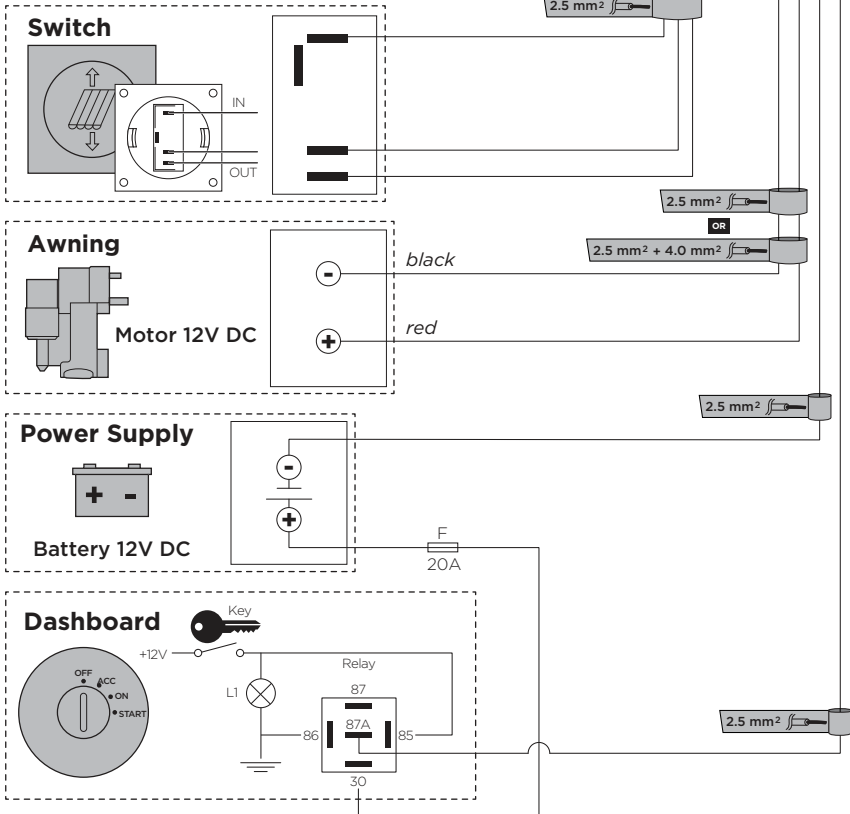
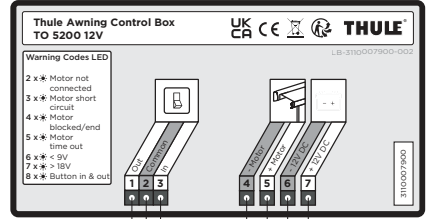
THULE CONTROL BOX TECHNICAL SPECIFICATIONS

Supply	12V DC
Maximum Voltage	18V DC
Standby Power Consumption	< 0,2 mA
Storage Temperature Range	-40°C to +80°C
Operation Temperature Range	-25°C to +80°C
IP classification	IP 51
Noise	65 dB (C)



**RED/ROT/ROOD/
ROUGE/ROSSO/ROJO/
RÖD/PUNAINEN/RÖD/
RØD/CZERWONY/
VERMELHO/ČERVENÁ/
RDEČE/KIRMIZI/紅/レ
ッド/레드**

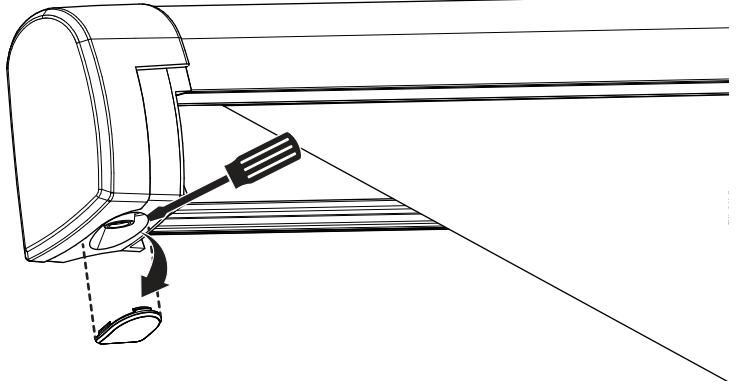
**BLACK/SCHWARZ/
ZWART/NOIR/NERO/
NEGRO/SVART/
MUSTA/SORT/SVART/
CZARNY/PRETO/
ČERNÁ/ČRNA/SİYAH/
黑色/ブラック/블랙**



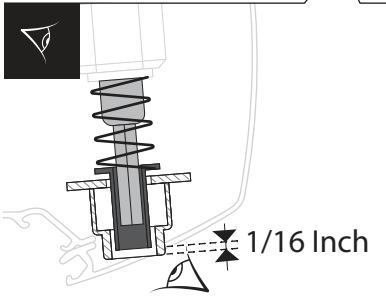
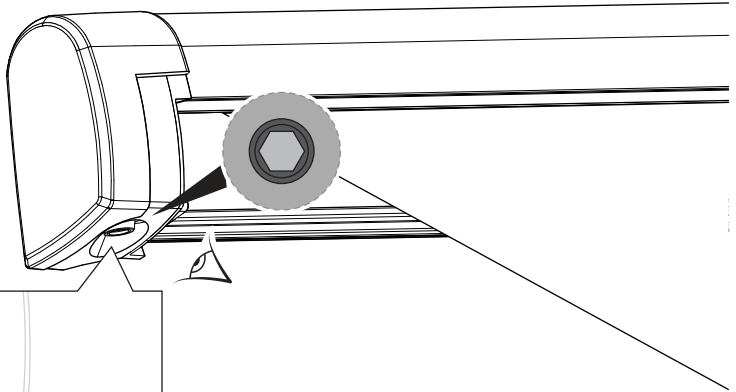
TROUBLESHOOTING

6 MANUAL OVERRIDE

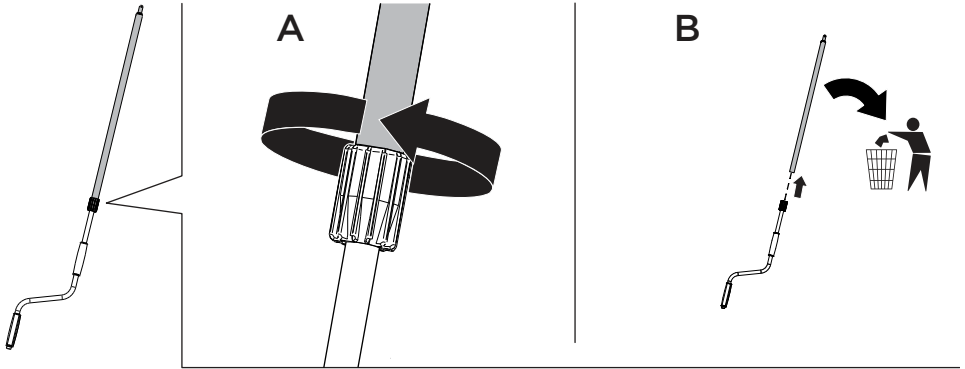
1



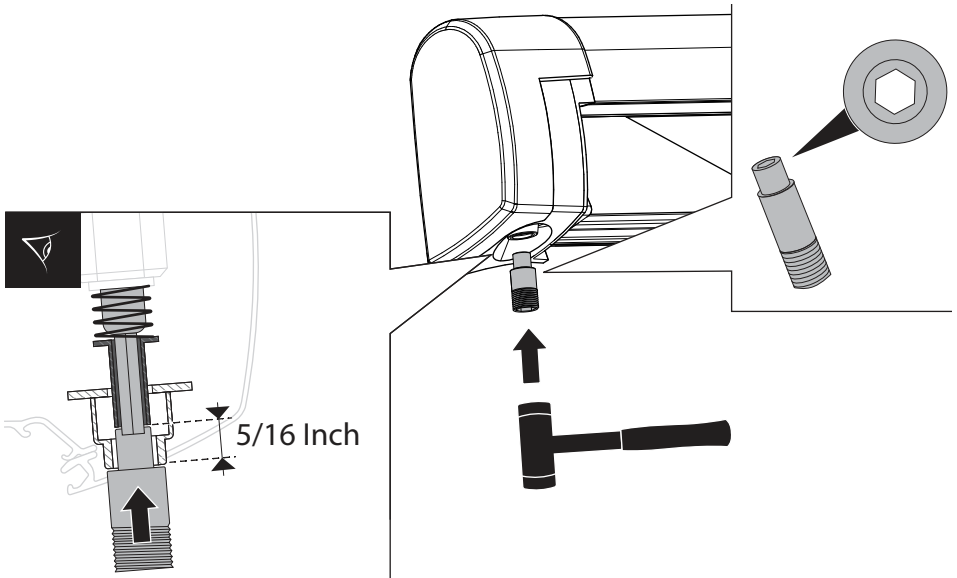
2



3



4



5

