

Picture is for reference only

Micro Case

Divider 200 TG

User's Manual
Benutzerhandbuch
Mode d'emploi
Manual del usuario
Manuale dell'utente
Manual do Utilizador

安裝說明書
用戶手冊
ユーザーズマニュアル
Руководство пользователя
kullanıcı elkitabı
(EEE Yönetmeliğine Uygundur)
คู่มือการใช้



© 2021 Thermaltake Technology Co., Ltd. All Rights Reserved. 2021.06
All other registered trademarks belong to their respective companies. www.thermaltake.com



TT Premium



TT Premium

To continue achieving the corporate mission of delivering the perfect user experience, Thermaltake developed "TT Premium" with the essence of combining supreme quality products with a new logo design. TT Premium is far more than just a guarantee of quality. Behind the name, it represents the passion in DIY, Modding and Thermaltake's desire to be the most innovative brand in the PC hardware market. To satisfy the demand of the high-end PC users, TT Premium follows its core values of Excellent Quality, Unique Design, Diverse Combinations and Boundless Creativity to provide a high performance PC product for every enthusiast. <http://tppremium.com>

Tt LCS-Liquid Cooling Support Certification



Tt LCS Certified is a Thermaltake exclusive certification applied to only products that pass the design and hardcore enthusiasts standards that a true LCS chassis should be held to. The Tt LCS certification was created so that we at Thermaltake can designate to all power users which chassis have been tested to be best compatible with extreme liquid cooling configurations to ensure you get the best performance from the best features and fitment.

Join Tt Community To Receive Benefits



Dear Valued Customer,
Thank you for choosing Thermaltake.
As a new user we value your thoughts and opinions and your feedback is important to us. We at Thermaltake would like to use this opportunity to invite you to join our Community Forums. Register today to start enjoying the full benefits of our community.



Benefits of being a member:

- Quick and responsive user support
- Receive help and advice with new builds
- Keep up to date with new product releases
- Share your thoughts and builds with the community
- Enter monthly contests and giveaways

Brand official website
<http://www.thermaltake.com/>

Global Facebook
<https://www.facebook.com/ThermaltakeInc>

Taiwan Facebook
<http://www.facebook.com/ThermaltakeTW>

Global community forums
<http://community.thermaltake.com>

CONTENTS

Chapter 1. Product Introduction

1.0	Specification	01
1.1	Accessory	02
1.2	Warning and Notice	03

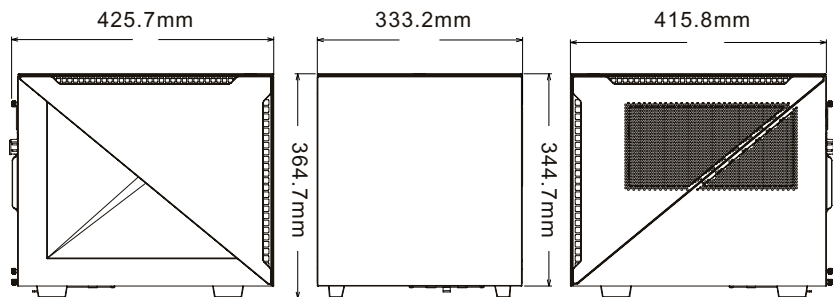
Chapter 2. Installation Guide

2.0	Remove Components	06
2.1	Power Supply Unit (PSU) Installation	07
2.2	Motherboard Installation	08
2.3	3.5" & 2.5" HDD Installation	09
2.4	PCI Card Installation	11
2.5	Air Cooling Installation	12
2.6	AIO Liquid Cooling Installation	13
2.7	I/O Connection	14
2.8	Bracket Installation	15
2.9	Remove Filters	16

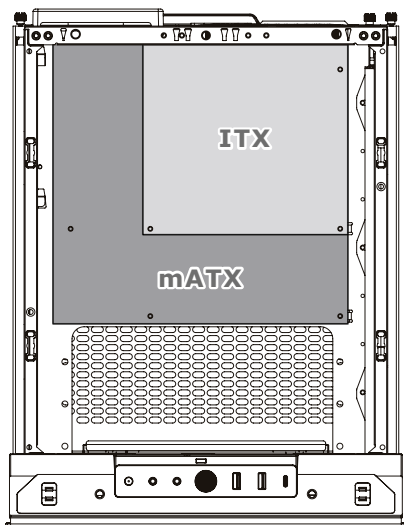
Model	Divider 200 TG	Divider 200 TG Snow Edition
Case Type	Micro Case	
Dimension (H*W*D)	364.7 x 333.2 x 425.7 mm (14.4 x 13.1 x 16.8 inch)	
Side Panel	Tempered Glass x 3	
Color	Black	White
Material	SPCC	
Cooling System	Front (intake) : 200 x 200 x 30 mm Standard fan (800rpm, 13 dBA) x 1 Rear (exhaust) : 120 x 120 x 25 mm fan (1000rpm, 16 dBA) x 1	
Drive Bays	3 x 3.5", 3 x 2.5" or 6 x 2.5"	
Expansion Slots	5	
Motherboards	6.7" x 6.7" (Mini ITX), 9.6" x 9.6" (Micro ATX)	
I/O Port	USB 3.2 (Gen 2) Type-C x 1, USB 3.0 x 2, HD Audio x 1	
PSU	Standard PS2 PSU (optional)	
Fan Support	Front: 2 x 120 mm, 1 x 120 mm 2 x 140mm, 1 x 140mm 1 x 200mm Right: 2 x 120 mm, 1 x 120 mm 2 x 140mm, 1 x 140mm Rear: 1 x 120 mm, 1 x 140mm Bottom: 2 x 120 mm, 1 x 120 mm	
Radiator Support	Front: 1 x 240mm, 1 x 240mm 1 x 280mm, 1 x 140mm Right: 1 x 240mm, 1 x 120 mm 1 x 280mm, 1 x 140mm Rear: 1 x 120 mm	
Clearance	CPU cooler height limitation: 185 mm VGA length limitation: 310mm (With 27mm radiator) 340mm (Without radiator) PSU length limitation: 180mm (With Bottom Fan) 200mm (Without Bottom Fan)	

Figure	Part Name	Q'ty	Use For
 	Screw Ø5 x 10 mm	12	For Fan
 	Stand-off #6-32 x 6.5 mm	2	For Motherboard
 	Screw M3 x 6 mm	18	For 2.5" HDD
 	Screw #6-32 x 5 mm	12	For 3.5" HDD
 	Screw #6-32 x 5 mm	9	For Motherboard
 	Screw #6-32 x 6 mm	4	For PSU
 	Screw Ø3 x 6 mm	6	For 3.5" Tray
 	PSU Pad	2	For PSU
	Buzzer	1	Motherboard Alarm
	Zip Tie 150 mm	7	Cable Management

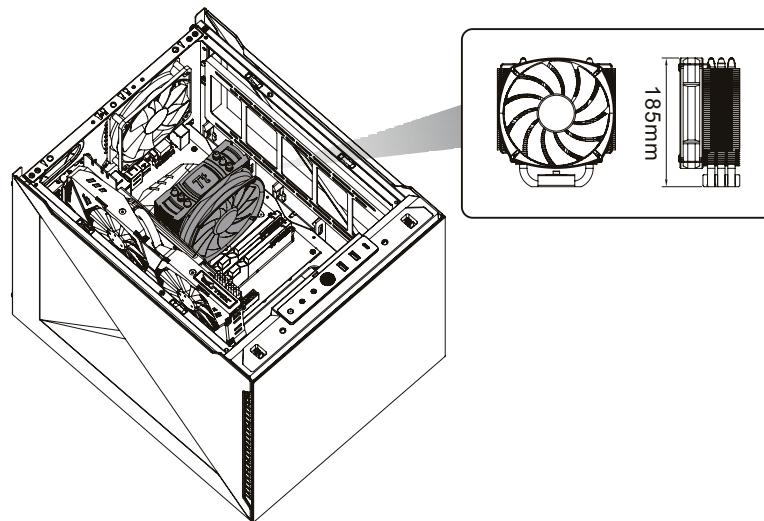
Chassis dimension



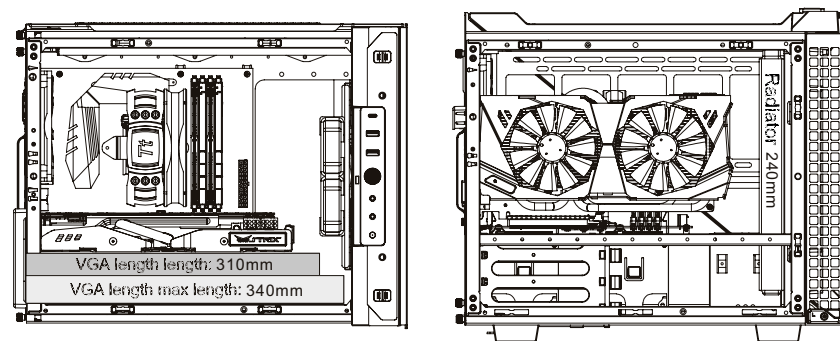
Motherboard Compatibility: ITX / mATX
(Up to 244mm wide)



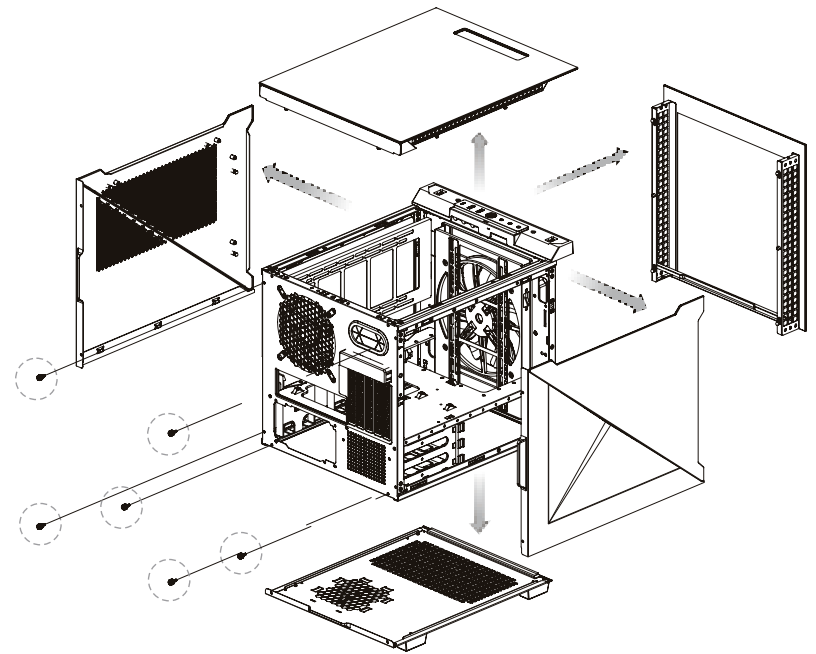
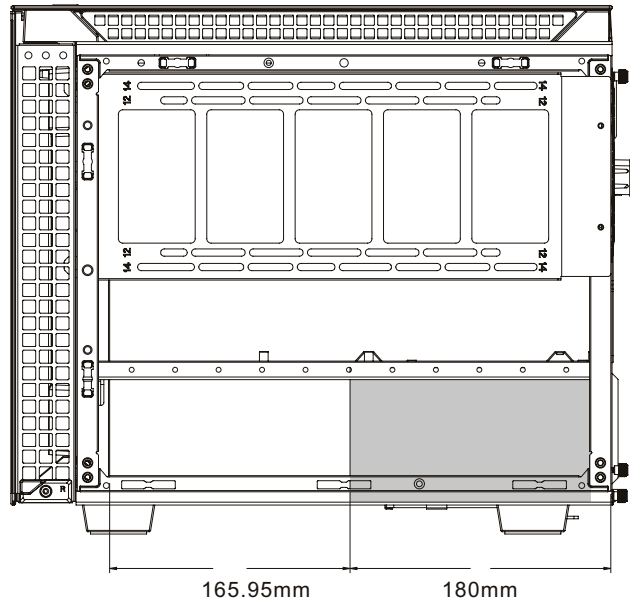
CPU cooler max height: 185mm

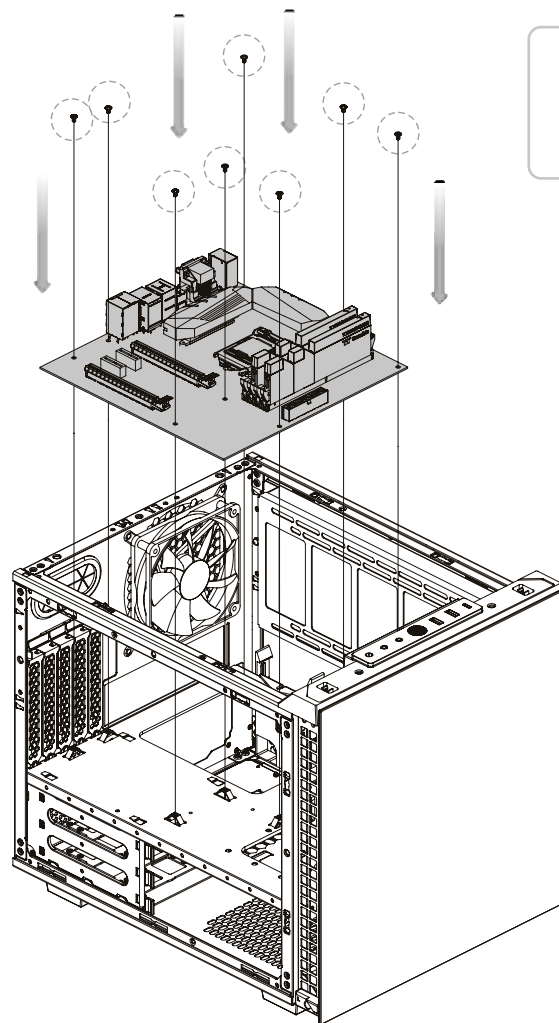
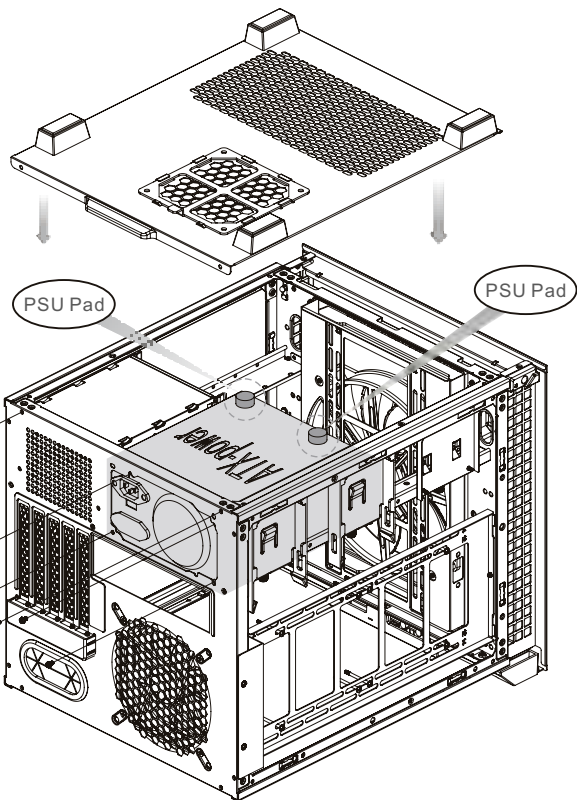


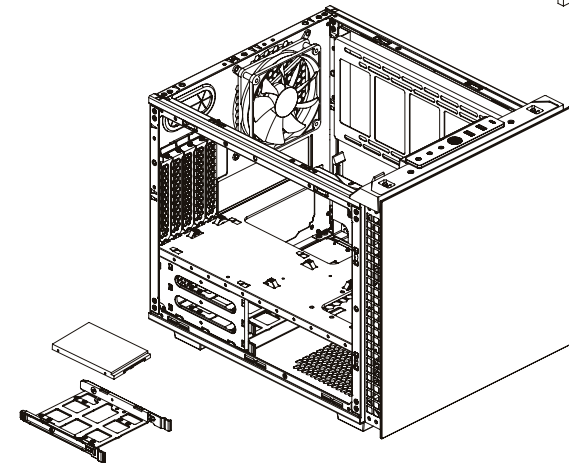
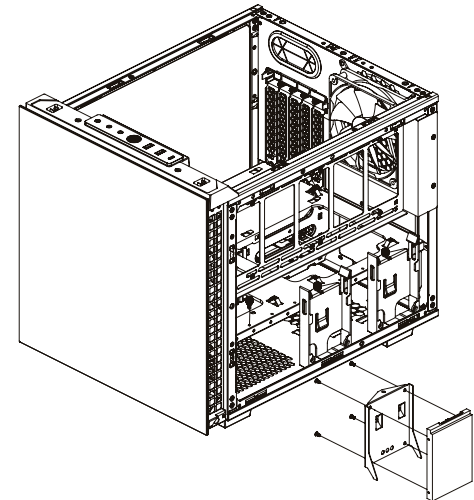
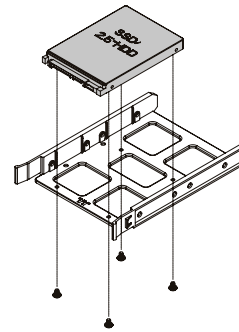
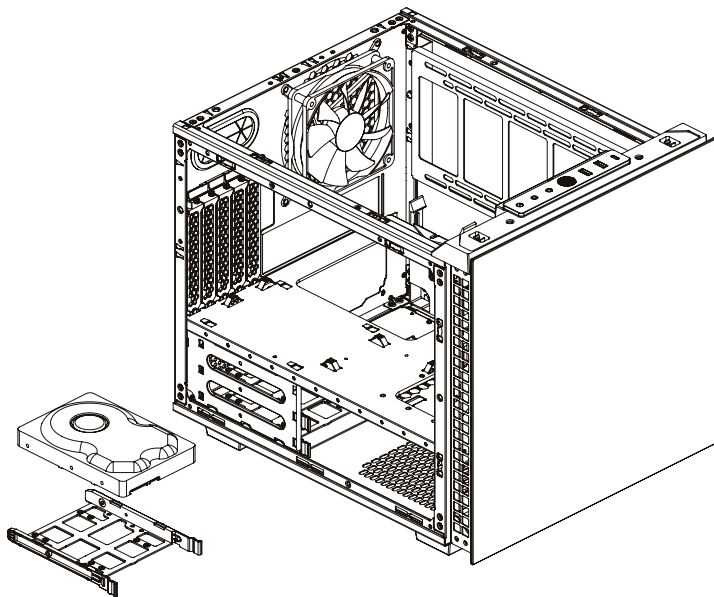
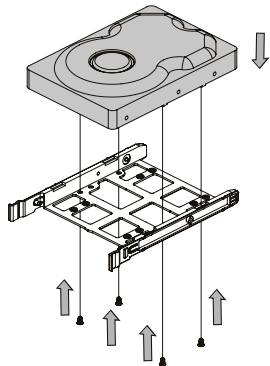
VGA length max length: 340mm

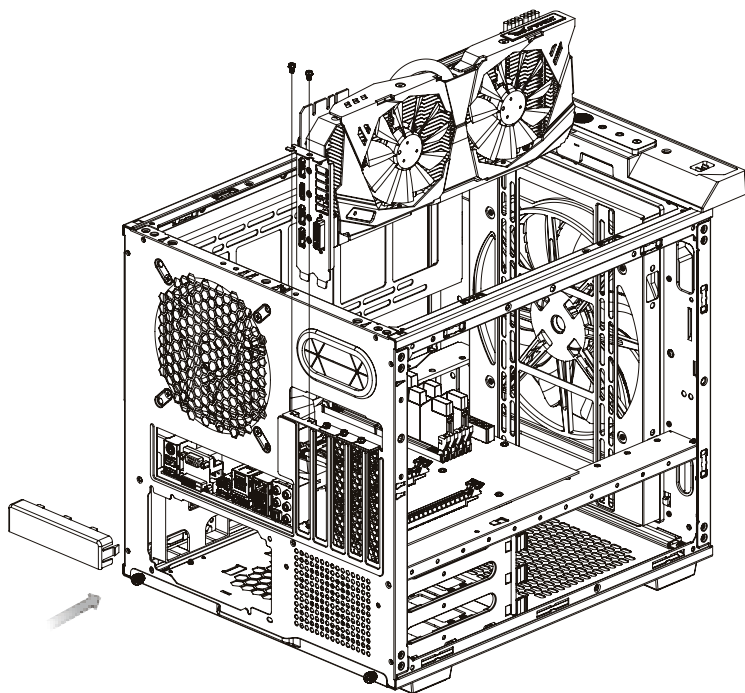


PSU max length: 180mm









Front

120mm x 2
or
140mm x 2
or
200mm x 1

Rear

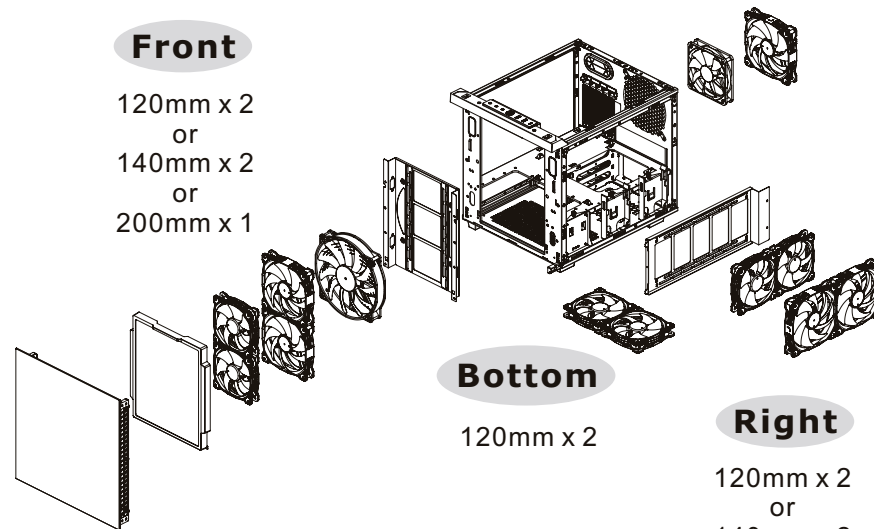
120mm x 1
or
140mm x 1

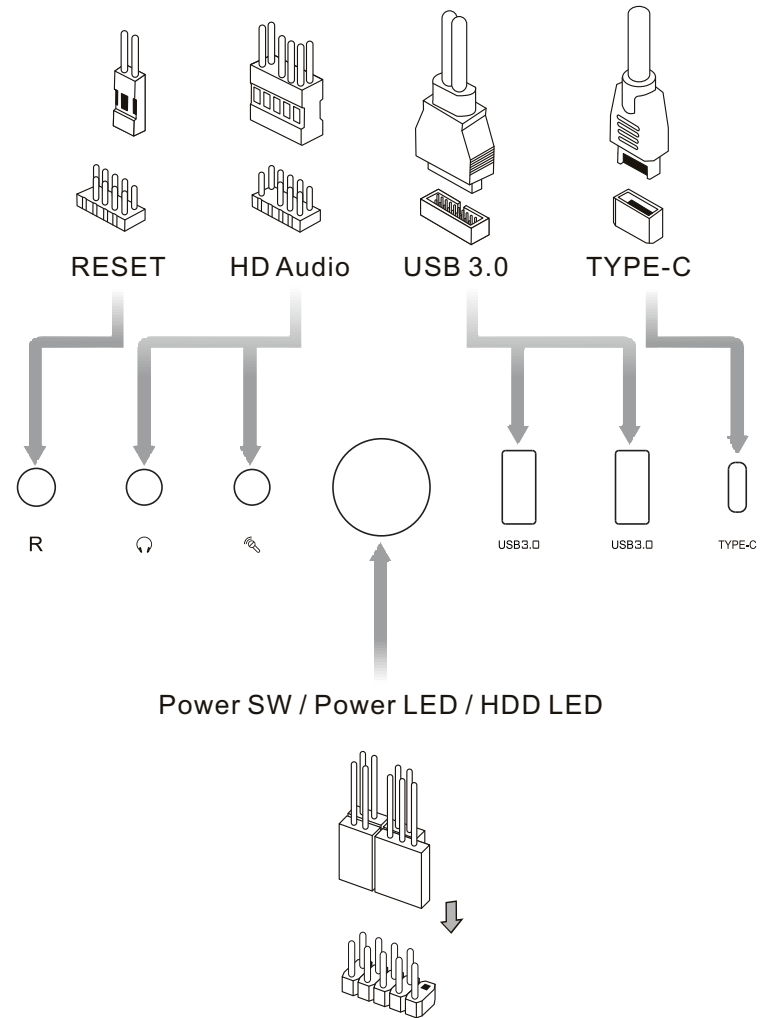
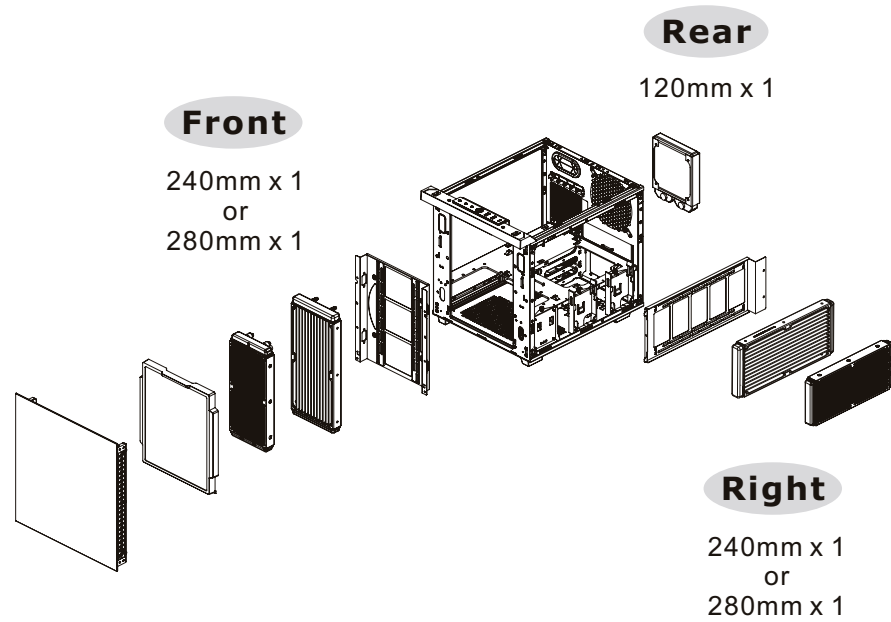
Bottom

120mm x 2

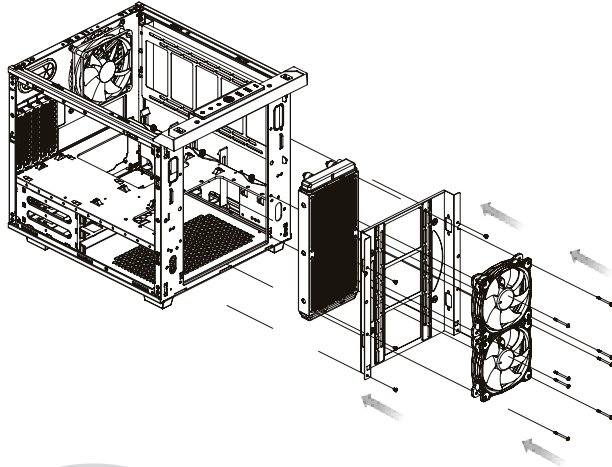
Right

120mm x 2
or
140mm x 2

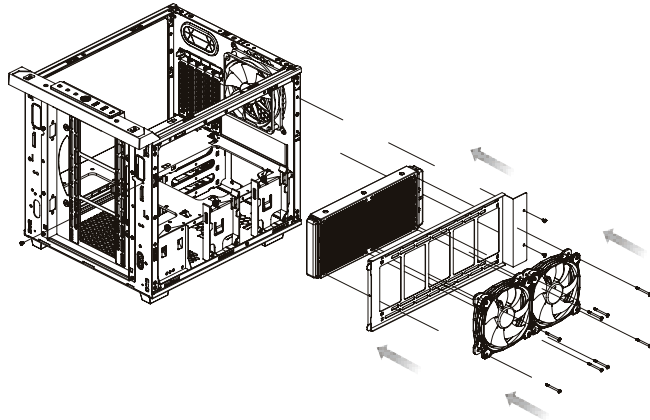




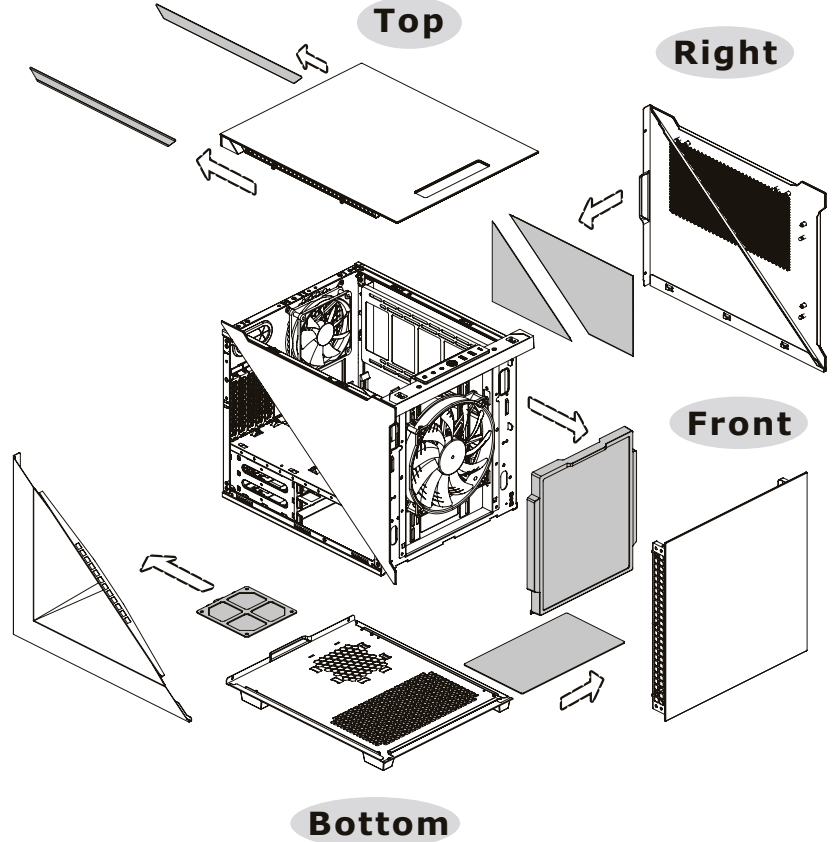
Front



Right



Top



Right

Front

Bottom