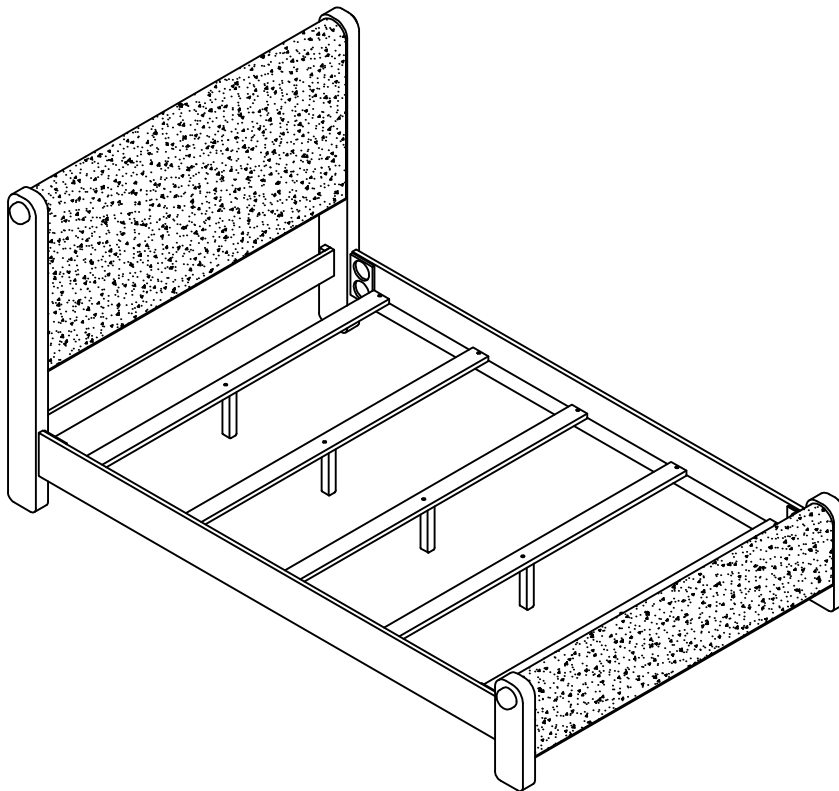


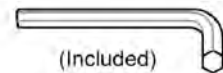
ASSEMBLY INSTRUCTIONS



TOOLS REQUIRED



Screwdriver
(Not included)



(Included)
Allen Wrench



2 - People

ASSEMBLY RATING



EASY ———> DIFFICULT

The Assembly Rating is a 5-point system showing the level of effort needed to assemble a specific product.



CHECK BEFORE STARTING



Are you missing anything?

Double-check all parts, hardware and accessories listed are all accounted for.



Check out our Quick Tips!

We recommend reviewing the pre-assembly handouts. Even experts need a refresher now and then!



Should we send any replacements?

Are there any irregularities or flaws in the parts? We can send replacements!



Prep Time!

Please review the assembly instructions and all diagrams prior to assembling.

PRE ASSEMBLY INTRODUCTION

We understand building ready-to-assemble furniture can be a challenging experience for some. To help avoid confusion, we have provided some helpful tips that may speed up the process.



Teamwork

ALWAYS have at least two people to help with transporting and assembling the product to avoid potential injury and/or damage.



Suitable Location

Assembling near the area of the intended location is highly recommended.



Sufficient Space

Make sure you have enough space to move around during the assembly.



Avoid Scratches

Use cardboard, blankets or a carpeted area while assembling furniture to prevent to prevent scratches and damages.



Flat Surface

Make sure the furniture rests on a flat and level surface with each leg evenly touching the floor.

ASSEMBLY AND CARE ADVICE



FAILURE TO FOLLOW THE GUIDELINES BELOW MAY RESULT IN INJURY AND/OR PROPERTY DAMAGE.



Position each part correctly and insert screws or bolts into their respective holes.



Turn clockwise to tighten and only tighten when step is completed or when instructed to do so.



Use the appropriate hand tools or power tools for assembly. Select steps, such as tightening screws and/or bolts, may require hand tools to avoid causing damage during assembly.



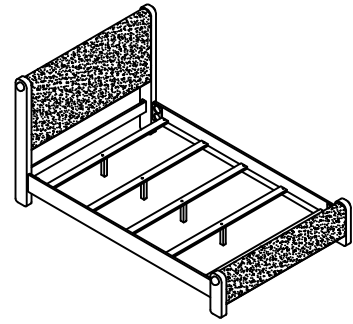
Save the instructions and store any supplied tools for later maintenance.



After two weeks, check and tighten any loose hardware and repeat again every six months thereafter.

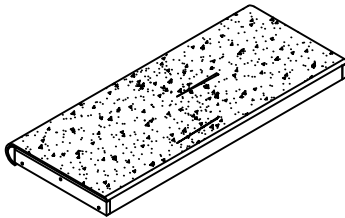
IT IS THE USER'S RESPONSIBILITY TO MAINTAIN THE FURNITURE. THE HARDWARE MAY LOOSEN OVER TIME AND MAY CAUSE THE FURNITURE TO BE WOBBLY AND UNABLE TO SUPPORT ITS INTENDED WEIGHT CAPACITY. THIS MAY LEAD TO COLLAPSE AND MAY CAUSE SERIOUS INJURY.

QUEEN BED



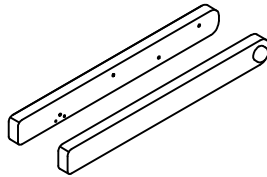
PARTS

1



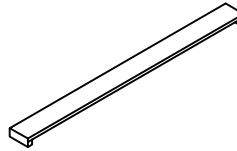
HEADBOARD
1pc

2



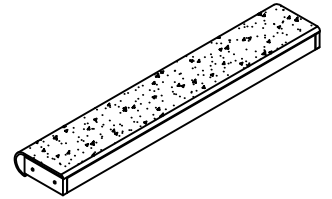
HEADBOARD LEG L/R
2pcs

3



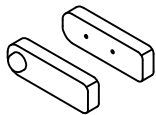
STRETCHER
1pc

4



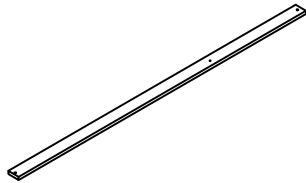
FOOTBOARD
1pc

5



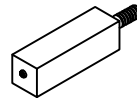
FOOTBOARD L/R
2pcs

6



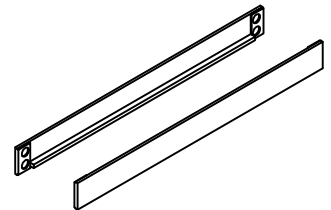
SLATS
5pcs

7



SUPPORT SLATS
5pcs

8



SIDE RAILS
2pcs

HARDWARE

1 .ASSEMBLY HEABOARD/ FOOTBOARD

A



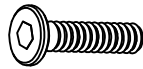
ALLEN WRENCH
1pc

B



BOLT Ø5/16"x 2 1/4"
10pcs

C



BOLT Ø5/16"x 2"
2pcs

D



LOCK WASHER Ø 5/16
10pcs

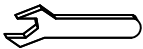
E



LOCK WASHER Ø 5/16 x 19mm
10pcs

2 .ASSEMBLY SIDE RAILS

F



OPEN WRENCH
1pc

G



NUTS Ø5/16"
8pcs

H



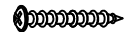
CURVED WASHER
8pcs

I



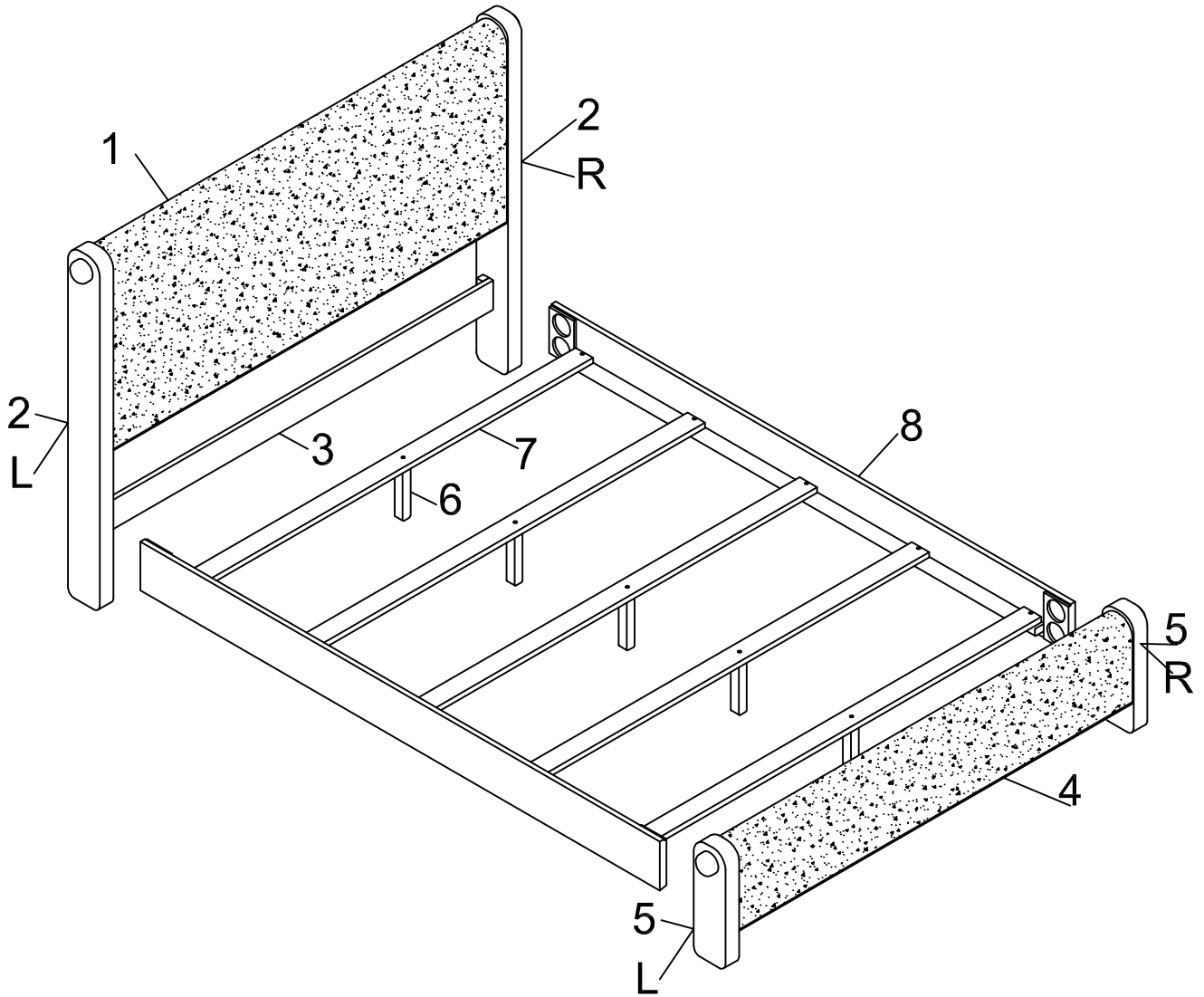
BOLT Ø5/16"x 3"
8pcs

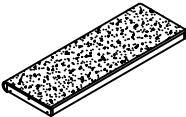


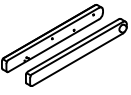
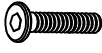
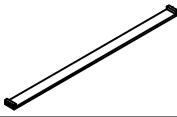


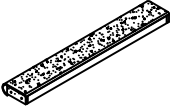

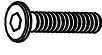
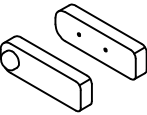



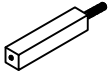
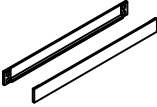
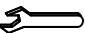



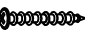
K



WOOD SCREWS Ø8* 1 1/4
10pc

EXPLODED VIEW

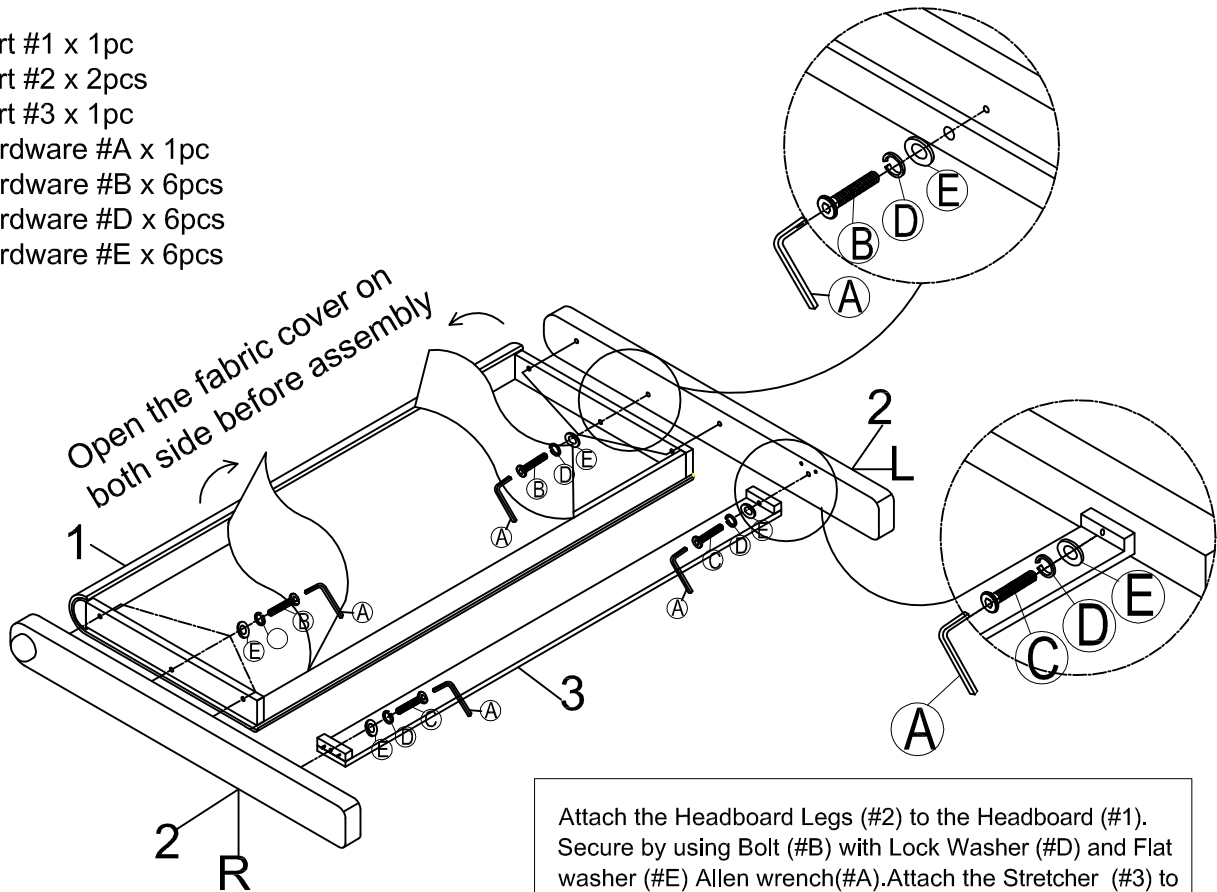


Carton	Disignation	Part		Hardware
	Headboard	# 1		 # A x 1pc  # B x 6pcs
	Headboard legs L/R	# 2		 # C x 2pcs
	Stretcher	# 3		 # D x 8pcs  # E x 8pcs
	Footboard	# 4		 # A x 1pc  # B x 4pcs
	Footboard legs L/R	# 5		 # D x 4pcs  # E x 4pcs
	Slats	# 6		
	Support Slats	# 7		
	Side rails	# 8		 #F x 1pc  # G x 8pcs  # H x 8pcs  # I x 8pcs  # K x 10pcs

ASSEMBLY INSTRUCTIONS

1

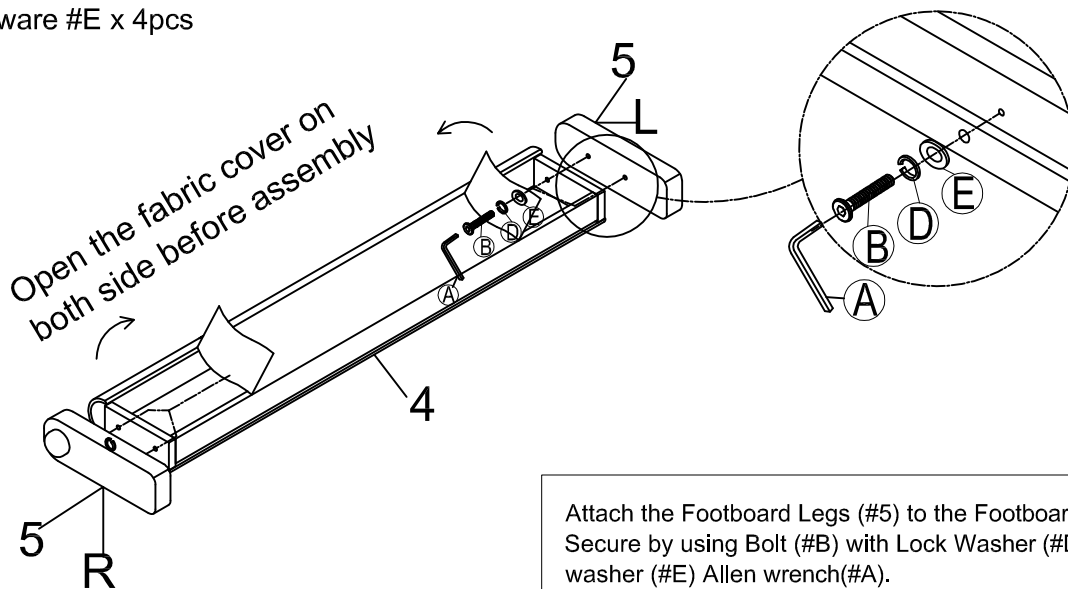
- Part #1 x 1pc
- Part #2 x 2pcs
- Part #3 x 1pc
- Hardware #A x 1pc
- Hardware #B x 6pcs
- Hardware #D x 6pcs
- Hardware #E x 6pcs



Attach the Headboard Legs (#2) to the Headboard (#1). Secure by using Bolt (#B) with Lock Washer (#D) and Flat washer (#E) Allen wrench(#A). Attach the Stretcher (#3) to the Legs (#2). Secure by using Bolt (#C) with Lock Washer (#D) and Flat washer (#E) Allen wrench(#A).

2

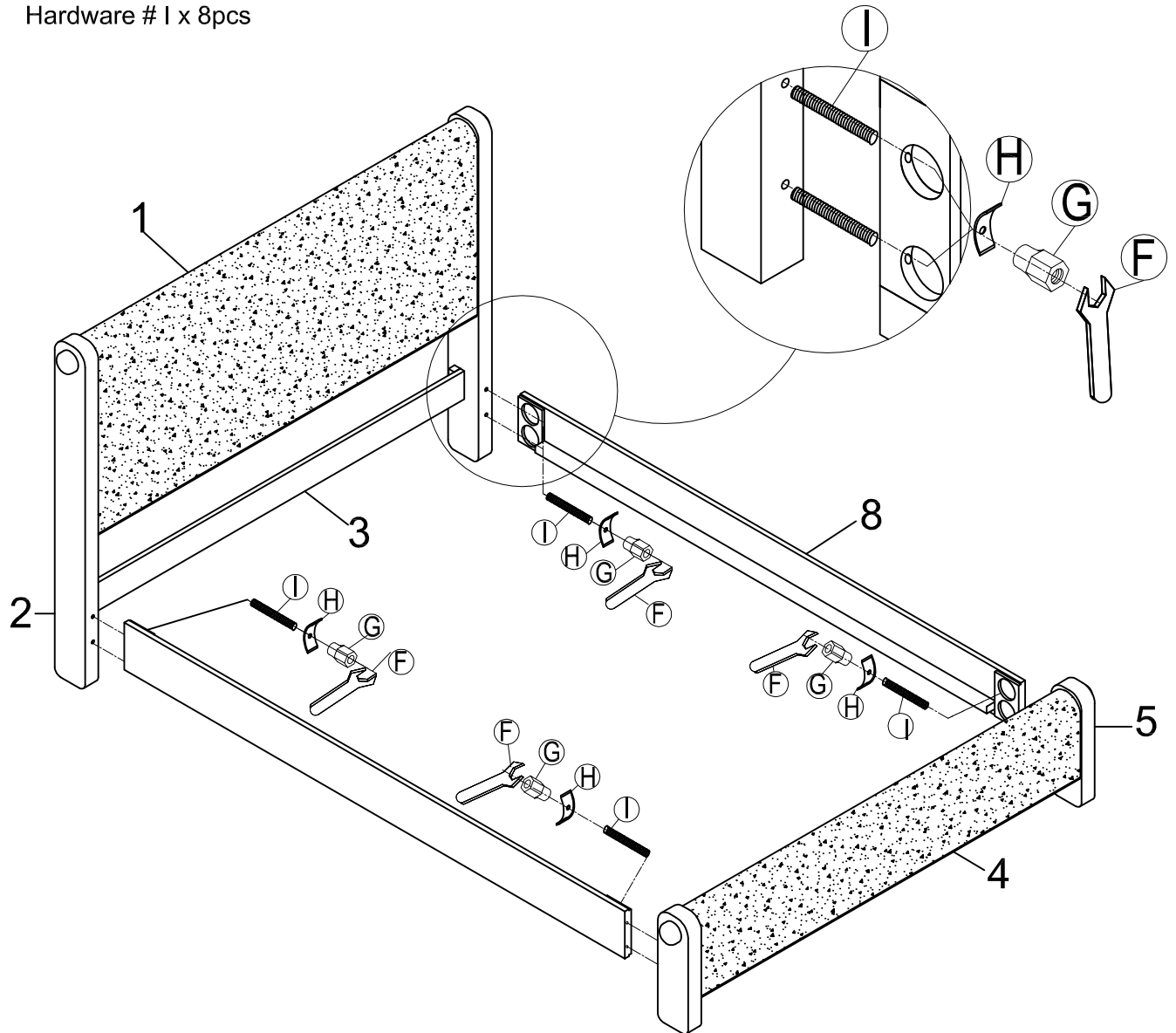
- Part #4 x 1pc
- Part #5 x 2pcs
- Hardware #A x 1pc
- Hardware #B x 4pcs
- Hardware #D x 4pcs
- Hardware #E x 4pcs



Attach the Footboard Legs (#5) to the Footboard (#4). Secure by using Bolt (#B) with Lock Washer (#D) and Flat washer (#E) Allen wrench(#A).

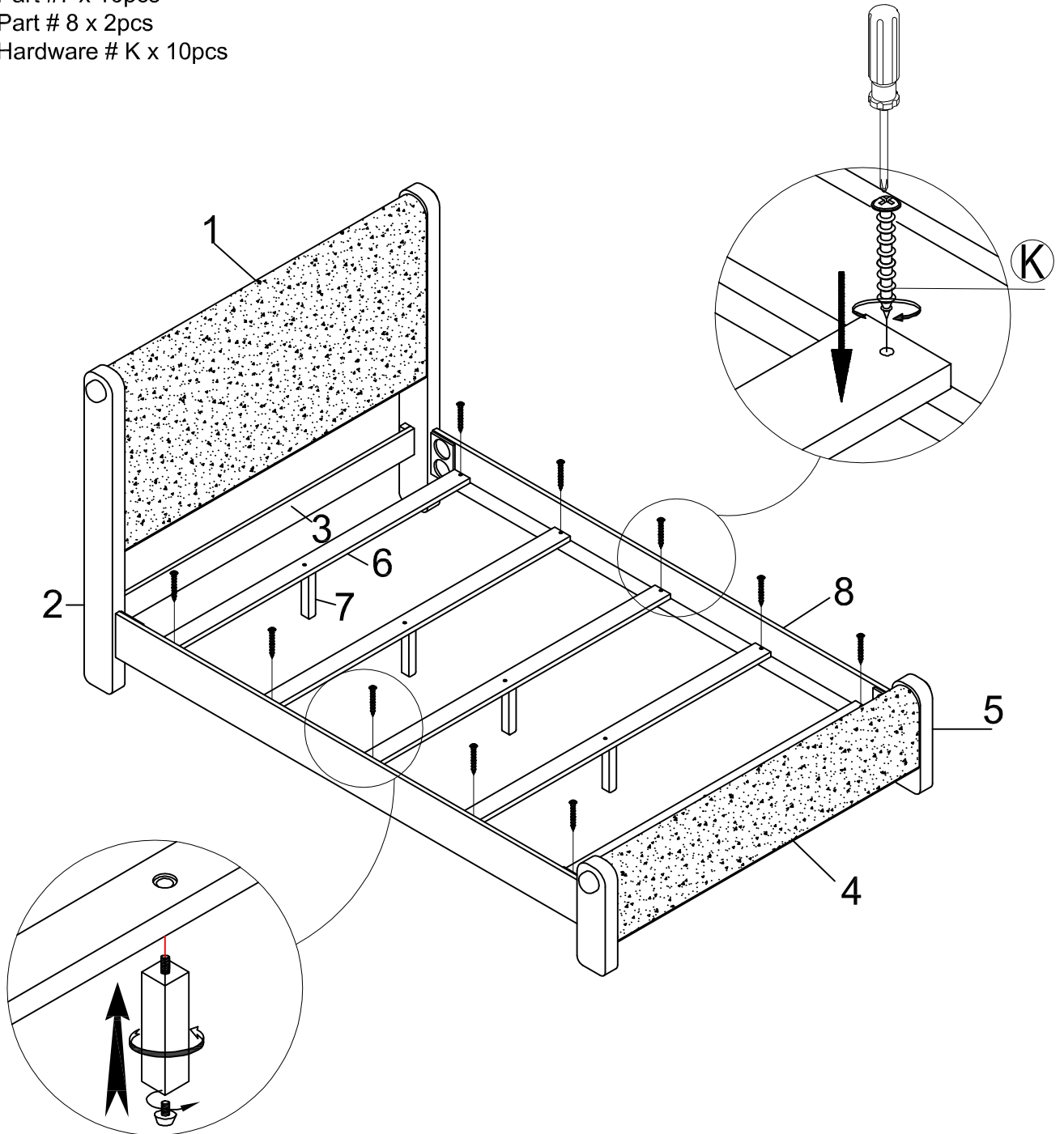
ASSEMBLY INSTRUCTIONS

- 3** Headboard x 1pc
Footboard x 1pc
Part #8 x 2pcs
Hardware #F x 1pc
Hardware #G x 8pcs
Hardware #H x 8pcs
Hardware #I x 8pcs

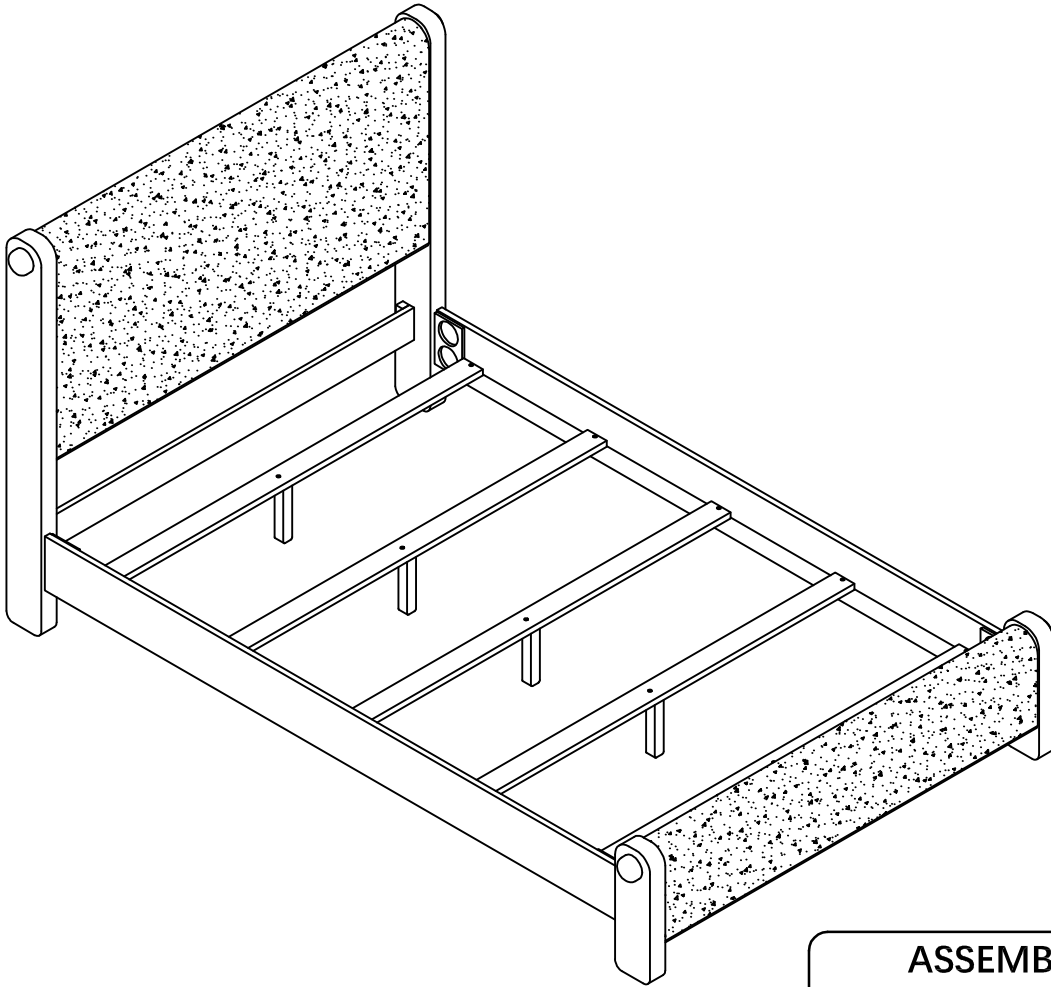


ASSEMBLY INSTRUCTIONS

- 4** Headboard x 1pc
Footboard x 1pc
Part #6 x 5pcs
Part #7 x 10pcs
Part #8 x 2pcs
Hardware # K x 10pcs



ASSEMBLY INSTRUCTIONS



ASSEMBLY COMPLETED



Please ensure the Furniture rests on an even and flat surface. If the product wobbles or feels loose, double-check all bolts and/or screws are properly tightened and secured.



Keep this handy!

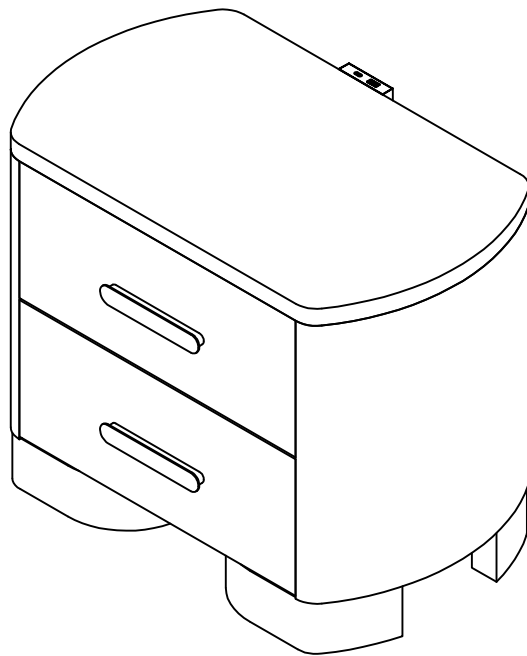
Please retain this instruction manual and any order-related information for future reference.



Lift, don't drag!

To avoid damage to product please always LIFT the product when transporting or adjusting the placement

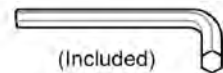
ASSEMBLY INSTRUCTIONS



TOOLS REQUIRED



Screwdriver
(Not included)



(Included)
Allen Wrench



2 - People

ASSEMBLY RATING



EASY —————> DIFFICULT

The Assembly Rating is a 5-point system showing the level of effort needed to assemble a specific product.



CHECK BEFORE STARTING



Are you missing anything?

Double-check all parts, hardware and accessories listed are all accounted for.



Should we send any replacements?

Are there any irregularities or flaws in the parts? We can send replacements!



Check out our Quick Tips!

We recommend reviewing the pre-assembly handouts. Even experts need a refresher now and then!



Prep Time!

Please review the assembly instructions and all diagrams prior to assembling.

PRE ASSEMBLY INTRODUCTION

We understand building ready-to-assemble furniture can be a challenging experience for some. To help avoid confusion, we have provided some helpful tips that may speed up the process.



Teamwork

ALWAYS have at least two people to help with transporting and assembling the product to avoid potential injury and/or damage.



Suitable Location

Assembling near the area of the intended location is highly recommended.



Sufficient Space

Make sure you have enough space to move around during the assembly.



Avoid Scratches

Use cardboard, blankets or a carpeted area while assembling furniture to prevent to prevent scratches and damages.



Flat Surface

Make sure the furniture rests on a flat and level surface with each leg evenly touching the floor.

ASSEMBLY AND CARE ADVICE



FAILURE TO FOLLOW THE GUIDELINES BELOW MAY RESULT IN INJURY AND/OR PROPERTY DAMAGE.



Position each part correctly and insert screws or bolts into their respective holes.



Turn clockwise to tighten and only tighten when step is completed or when instructed to do so.



Use the appropriate hand tools or power tools for assembly. Select steps, such as tightening screws and/or bolts, may require hand tools to avoid causing damage during assembly.



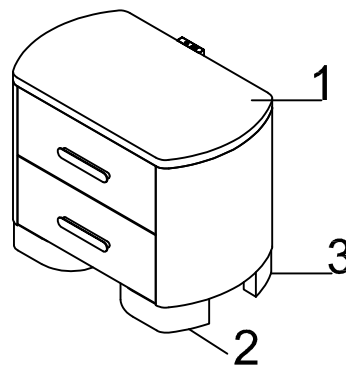
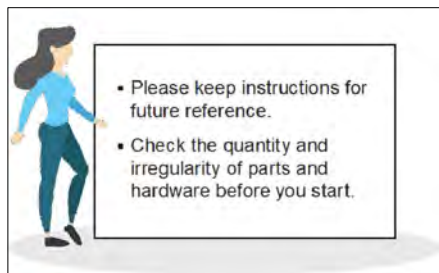
Save the instructions and store any supplied tools for later maintenance.



After two weeks, check and tighten any loose hardware and repeat again every six months thereafter.

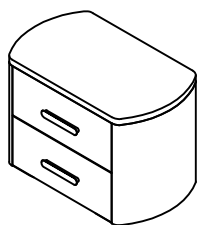
IT IS THE USER'S RESPONSIBILITY TO MAINTAIN THE FURNITURE. THE HARDWARE MAY LOOSEN OVER TIME AND MAY CAUSE THE FURNITURE TO BE WOBBLY AND UNABLE TO SUPPORT ITS INTENDED WEIGHT CAPACITY. THIS MAY LEAD TO COLLAPSE AND MAY CAUSE SERIOUS INJURY.

NIGHTSTAND w/ USB A-C



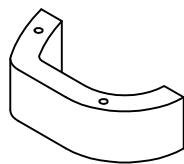
PARTS

1



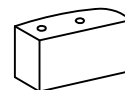
NIGHTSTAND
1pc

2



FRONT LEGS
2pcs

3



BACK LEGS (L/R)
2pcs

HARDWARE

A



ALLEN WRENCH
1pc

B



BOLT Ø5/16"x 3 1/2"
8pcs

C



LOCK WASHER Ø 5/16
8pcs

D



LOCK WASHER Ø 5/16 x 19mm
8pcs

ASSEMBLY INSTRUCTIONS

Part #1 x1pc

Part #2 x 2pcs

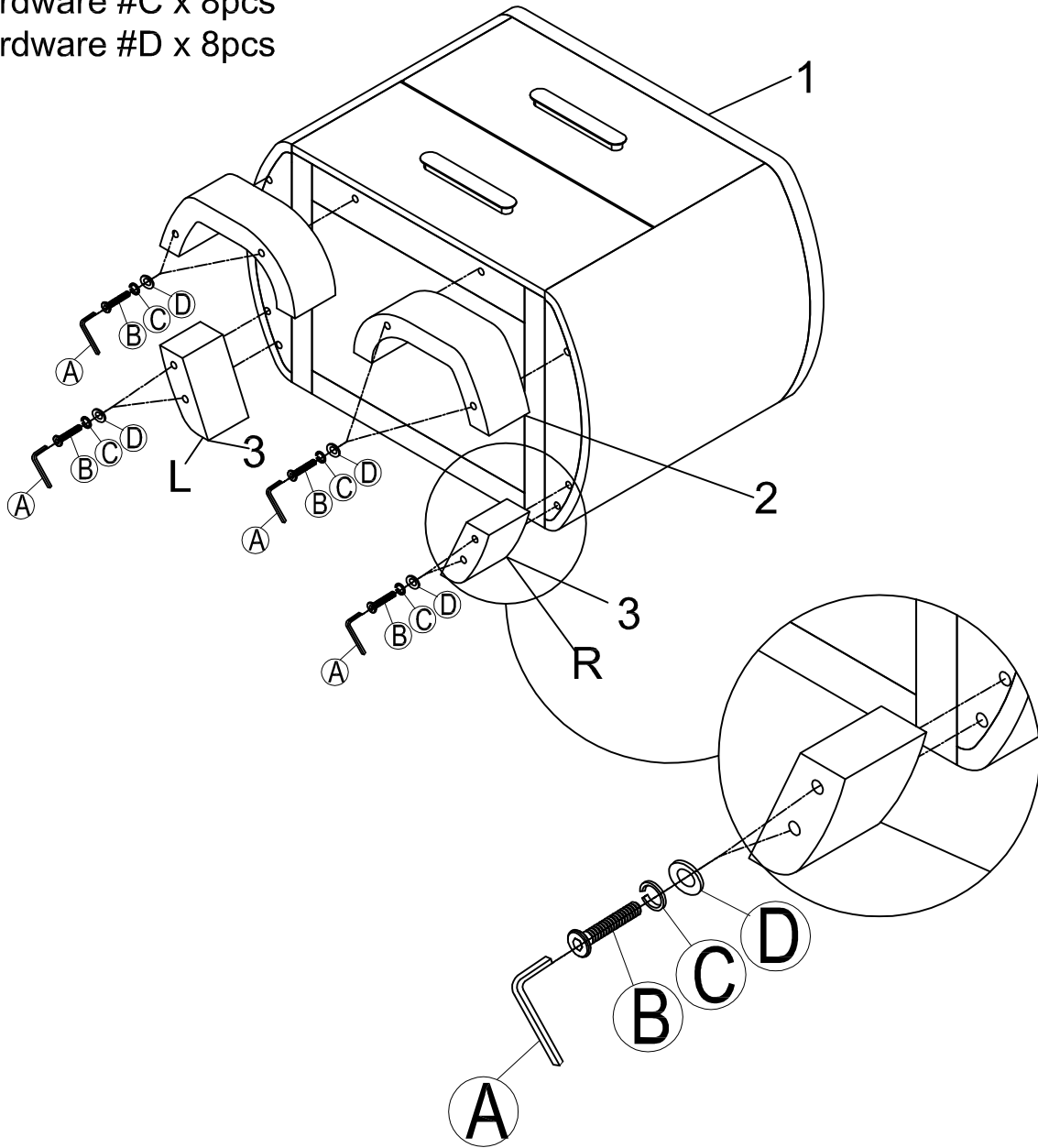
Part #3 x 2pcs

Hardware #A x 1pc

Hardware #B x 8pcs

Hardware #C x 8pcs

Hardware #D x 8pcs

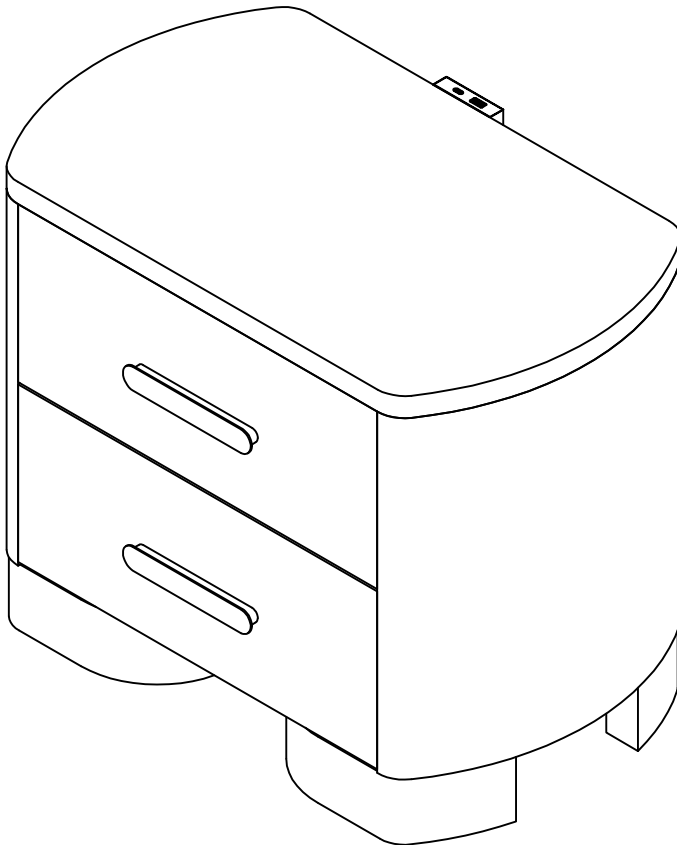


Attach the Front legs(#2)and Back legs (#3) to the bottom Nightstand (#1) . Secure by using Bolt (#B) with Lock Washer (#C) and Flat washer (#D) Allen wrench(#A).

ASSEMBLY INSTRUCTIONS

Hardware #A x 1pc

Use anti-tip kit to secure Nightstand to the wall.



ASSEMBLY COMPLETED



Please ensure the Furniture rests on an even and flat surface. If the product wobbles or feels loose, double-check all bolts and/or screws are properly tightened and secured.



Keep this handy!

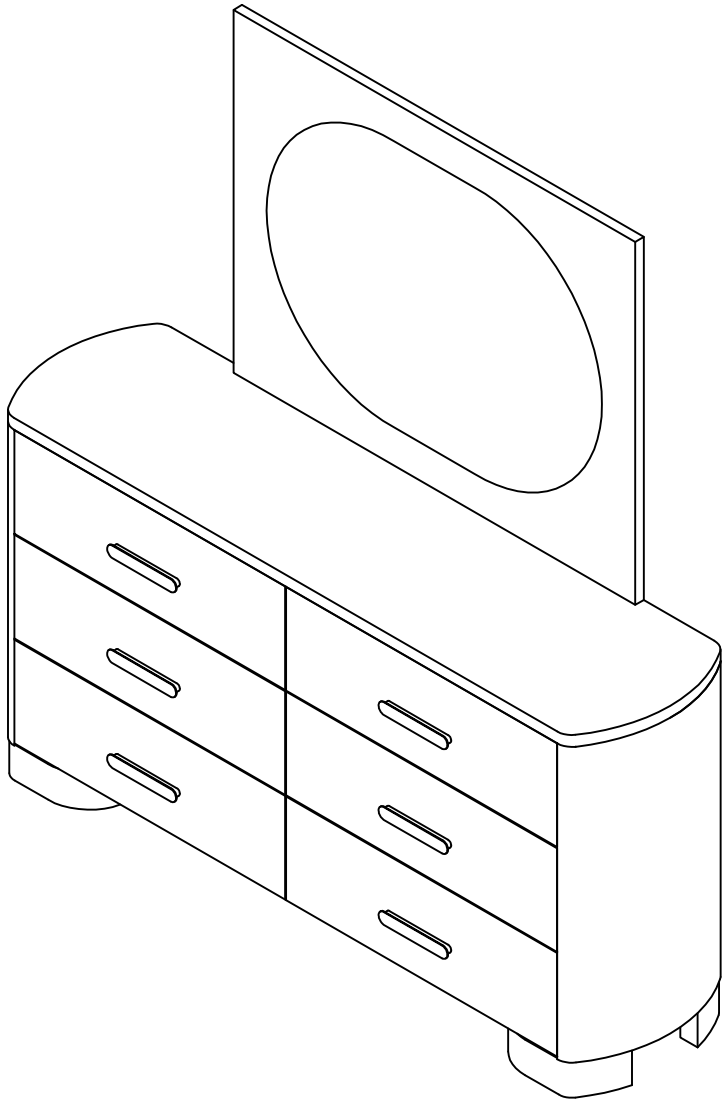
Please retain this instruction manual and any order-related information for future reference.



Lift, don't drag!

To avoid damage to product please always LIFT the product when transporting or adjusting the placement

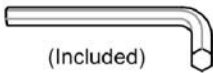
ASSEMBLY INSTRUCTIONS



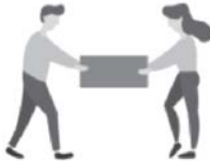
TOOLS REQUIRED



Screwdriver
(Not included)

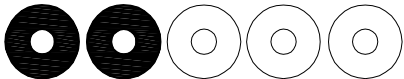


(Included)
Allen Wrench



2 - People

ASSEMBLY RATING



EASY ———> DIFFICULT

The Assembly Rating is a 5-point system showing the level of effort needed to assemble a specific product.



CHECK BEFORE STARTING

Are you missing anything?

Double-check all parts, hardware and accessories listed are all accounted for.

Check out our Quick Tips!

We recommend reviewing the pre-assembly handouts. Even experts need a refresher now and then!

Should we send any replacements?

Are there any irregularities or flaws in the parts? We can send replacements!

Prep Time!

Please review the assembly instructions and all diagrams prior to assembling.

PRE ASSEMBLY INTRODUCTION

We understand building ready-to-assemble furniture can be a challenging experience for some. To help avoid confusion, we have provided some helpful tips that may speed up the process.



Teamwork

ALWAYS have at least two people to help with transporting and assembling the product to avoid potential injury and/or damage.



Suitable Location

Assembling near the area of the intended location is highly recommended.



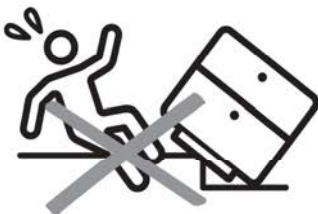
Sufficient Space

Make sure you have enough space to move around during the assembly.



Avoid Scratches

Use cardboard, blankets or a carpeted area while assembling furniture to prevent to prevent scratches and damages.



Flat Surface

Make sure the furniture rests on a flat and level surface with each leg evenly touching the floor.

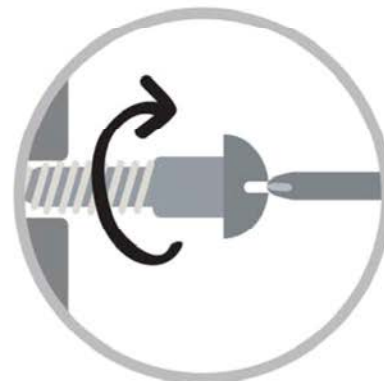
ASSEMBLY AND CARE ADVICE



FAILURE TO FOLLOW THE GUIDELINES BELOW MAY RESULT IN INJURY AND/OR PROPERTY DAMAGE.



Position each part correctly and insert screws or bolts into their respective holes.



Turn clockwise to tighten and only tighten when step is completed or when instructed to do so.



Use the appropriate hand tools or power tools for assembly. Select steps, such as tightening screws and/or bolts, may require hand tools to avoid causing damage during assembly.



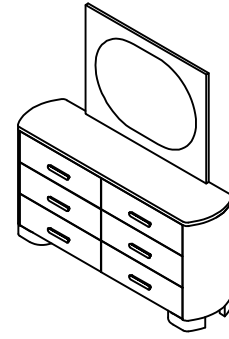
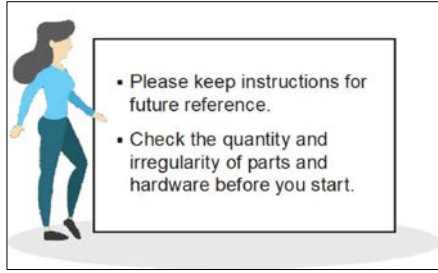
Save the instructions and store any supplied tools for later maintenance.



After two weeks, check and tighten any loose hardware and repeat again every six months thereafter.

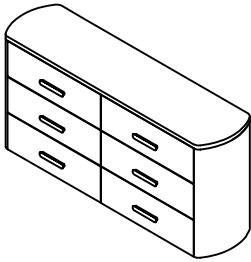
IT IS THE USER'S RESPONSIBILITY TO MAINTAIN THE FURNITURE. THE HARDWARE MAY LOOSEN OVER TIME AND MAY CAUSE THE FURNITURE TO BE WOBBLY AND UNABLE TO SUPPORT ITS INTENDED WEIGHT CAPACITY. THIS MAY LEAD TO COLLAPSE AND MAY CAUSE SERIOUS INJURY.

DRESSER & MIRROR



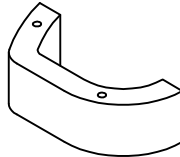
PARTS

1



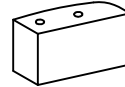
DRESSER
1pc

2



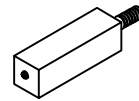
FRONT LEGS
2pcs

3



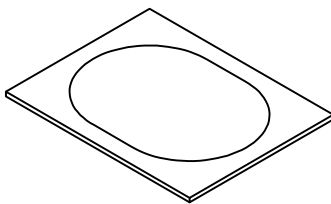
BACK LEGS (L/R)
2pcs

4



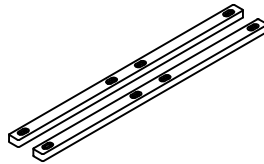
SUPPORT LEG
1pc

5



MIRROR
1pc

6



MIRROR SUPPORT RAILS
2pcs

HARDWARE

1 .ASSEMBLY DRESSER

A



ALLEN WRENCH
1pc

B



BOLT Ø5/16"x 3 1/2"
8pcs

C



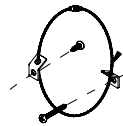
LOCK WASHER Ø 5/16
8pcs

D



LOCK WASHER Ø 5/16 x 19mm
8pcs

E



ANTI TIP KIT
1pc

2 .ASSEMBLY MIRROR

F



ALLEN WRENCH
1pc

G



BOLT Ø1/4"x 1 1/2"
8pcs

H



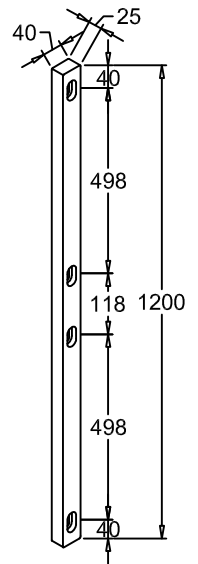
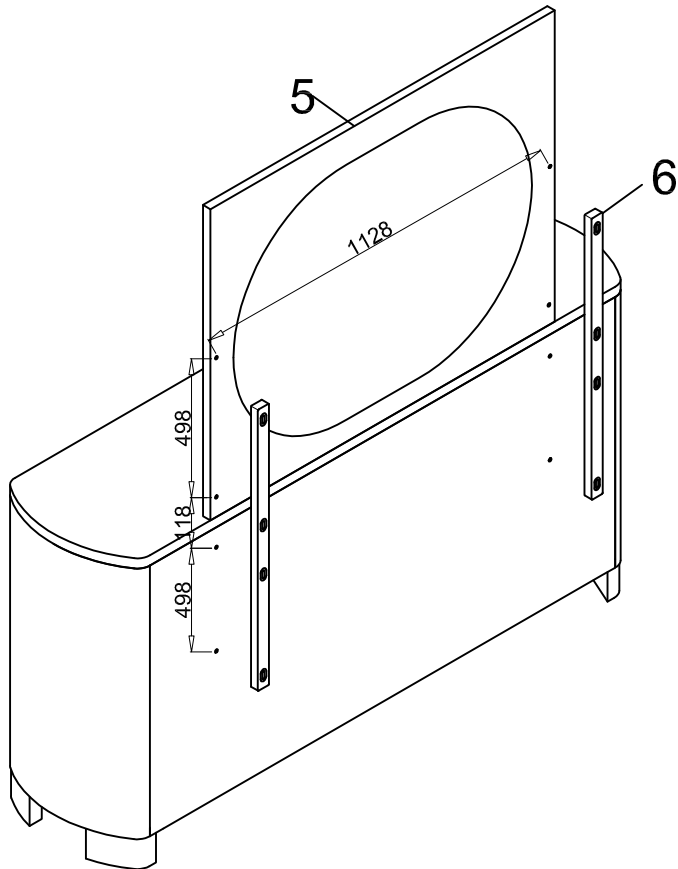
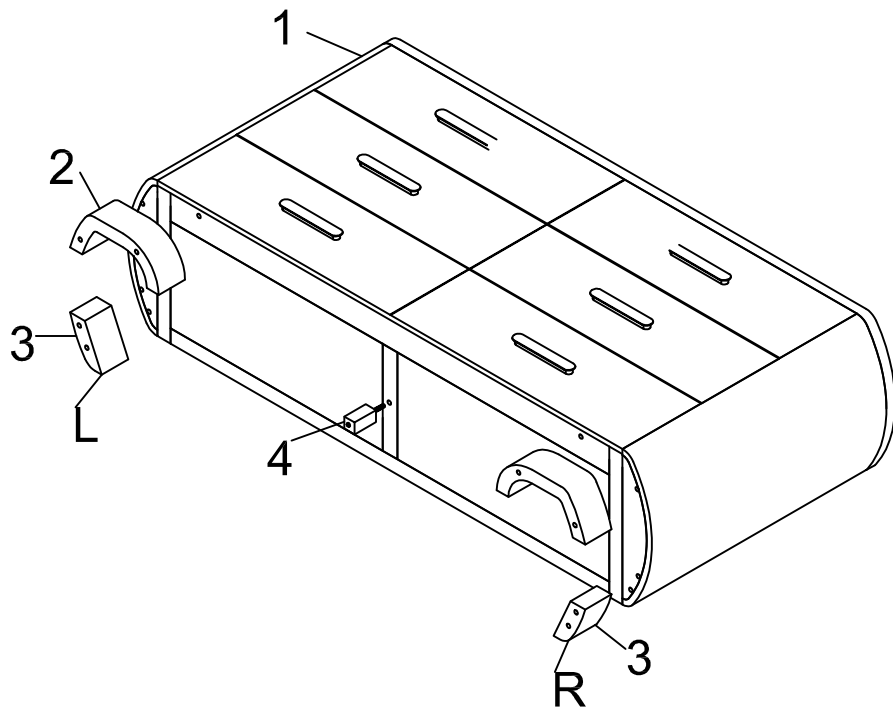
LOCK WASHER Ø 1/4
8pcs

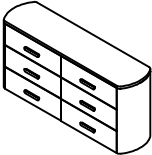



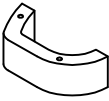


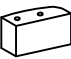
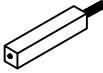
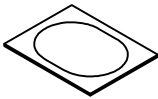
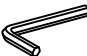


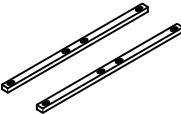

I



LOCK WASHER Ø 1/4 x 19mm
8pcs

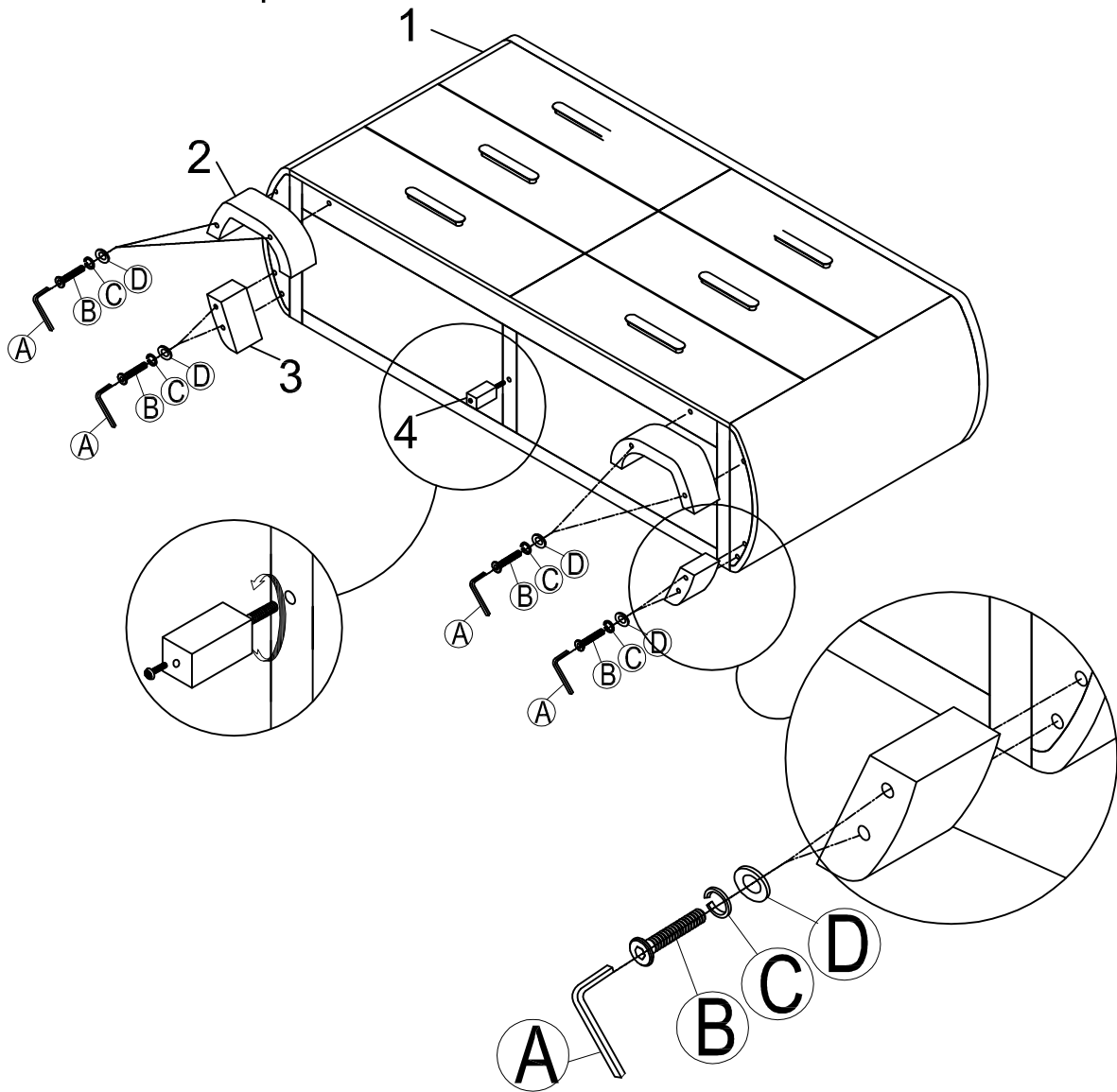
EXPLODED VIEW



Carton	Disignation	Part		Hardware
	Dresser	# 1		 # A x 1pc  # B x 8pcs  # C x 8pcs
	Front legs	# 2		 # D x 8pcs  # E x 1pc
	Back legs	# 3		
	Support leg	# 4		
	Mirror	# 5		 # F x 1pc  # G x 8pcs  # H x 8pcs
	Mirror Support rails	# 6		 # I x 8pcs

ASSEMBLY INSTRUCTIONS

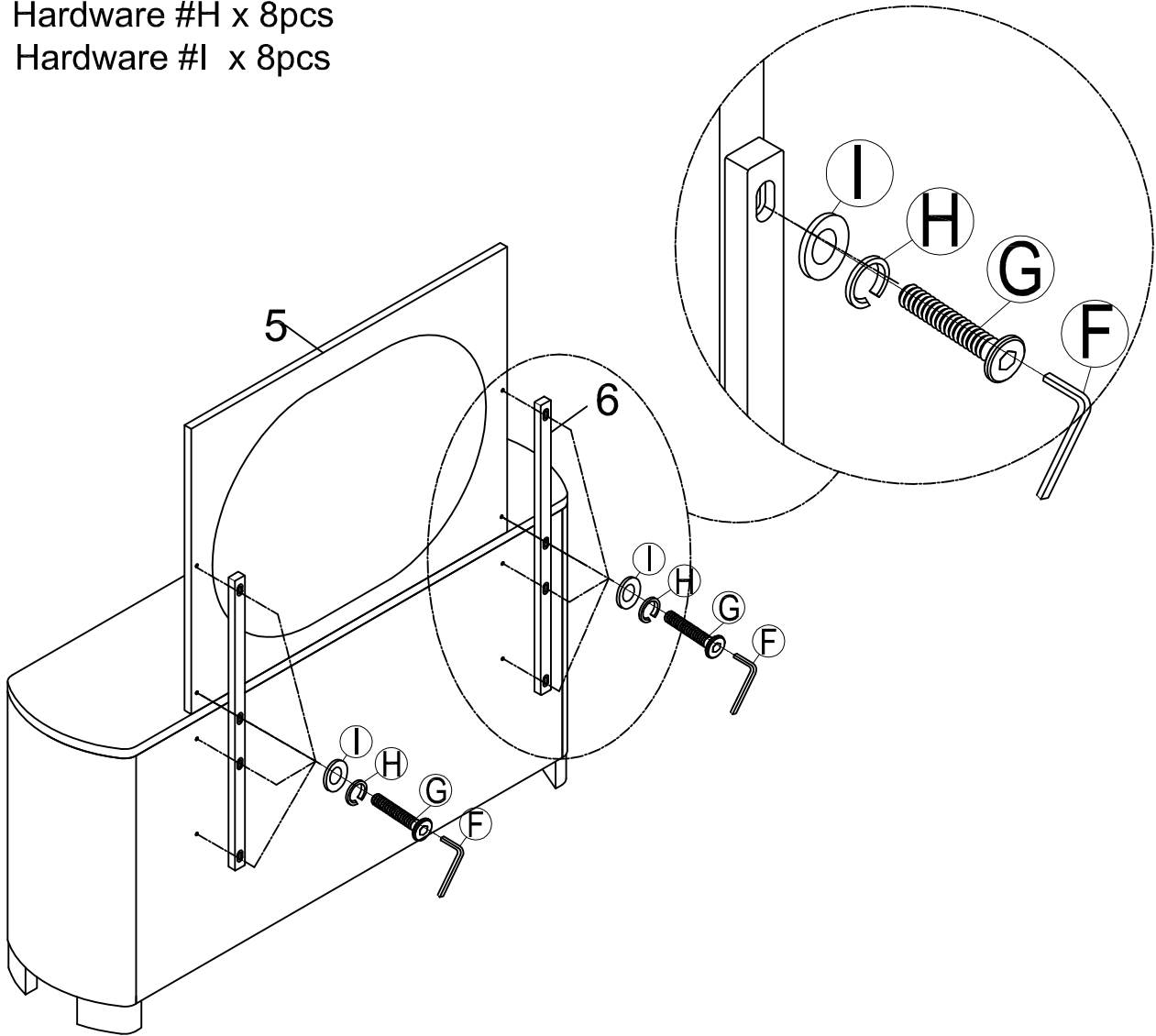
- 1** Part #1 x1pc
Part #2 x 2pcs
Part #3 x 2pcs
Part #4 x 1pc
Hardware #A x 1pc
Hardware #B x 8pcs
Hardware #C x 8pcs
Hardware #D x 8pcs



Attach the Front legs(#2)and Back legs (#3) to the bottom Chest(#1) .
Secure by using Bolt (#B) with Lock Washer (#C) and Flat washer (#D)
Allen wrench(#A).

ASSEMBLY INSTRUCTIONS

- 2 Dresser x1pc
Part #2 x 2pcs
Part #3 x 2pcs
Part #4 x 1pc
Hardware #F x 1pc
Hardware #G x 8pcs
Hardware #H x 8pcs
Hardware #I x 8pcs

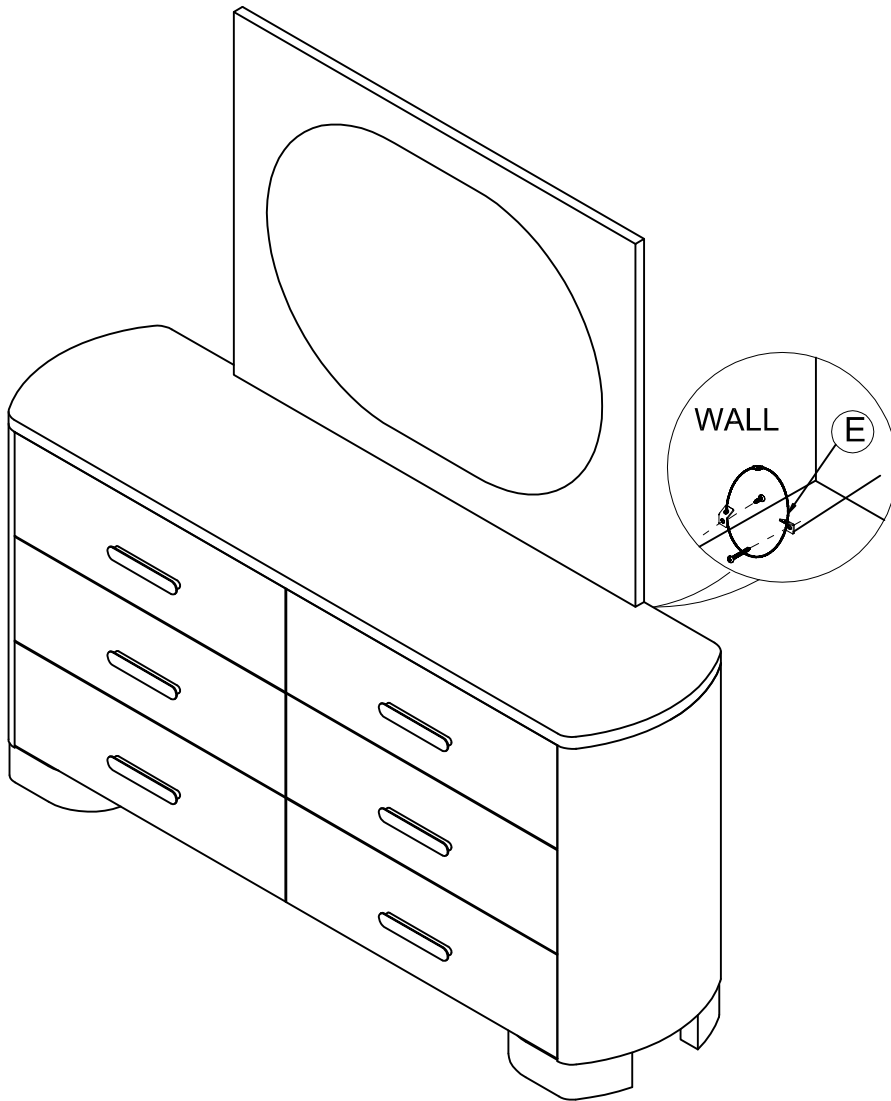


Attach the Mirror(#5)and Mirror Supports Rail (#6) to top Dresser .
Secure by using Bolt (#G) with Lock Washer (#H) and Flat washer (#I)
Allen wrench(#F).

ASSEMBLY INSTRUCTIONS

3 Hardware #E x 1pc

Use anti-tip kit to secure Dresser to the wall.



ASSEMBLY COMPLETED



Please ensure the Furniture rests on an even and flat surface. If the product wobbles or feels loose, double-check all bolts and/or screws are properly tightened and secured.



Keep this handy!

Please retain this instruction manual and any order-related information for future reference.



Lift, don't drag!

To avoid damage to product please always LIFT the product when transporting or adjusting the placement

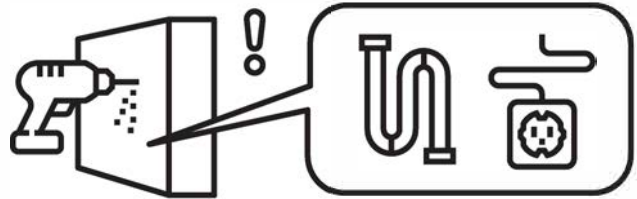
ASSEMBLY INSTRUCTIONS

Wall Mounting and Fixing



EXPANSION WALL ANCHOR

Our provided expansion wall anchors are only suitable for masonry walls, such as drywall, plaster or concrete, and are best for holding lightweight items or for anti-tip prevention. If you are unsure of the correct wall anchor to use with the product, please request professional guidance. Liability for product damage or failure due to using the incorrect anchors will fall on the installer.



CHECK BEFORE PROCEEDING

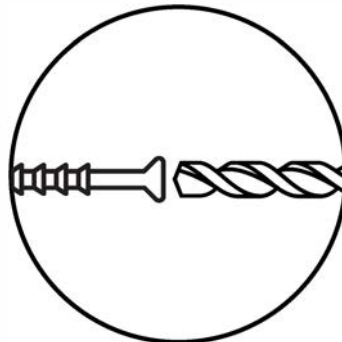
Prior to drilling or hammering, please check for wires or pipes. We recommend using a stud finder to locate a stud, which will offer more appropriate resistance and hold more weight.

QUICK TIPS

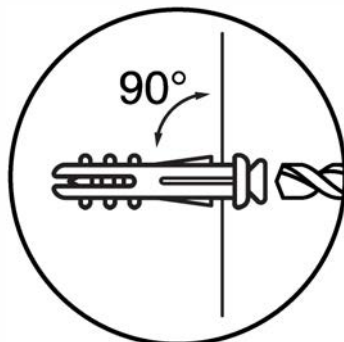
1. If unsure of the proper size, always choose a larger screw and wall anchor.



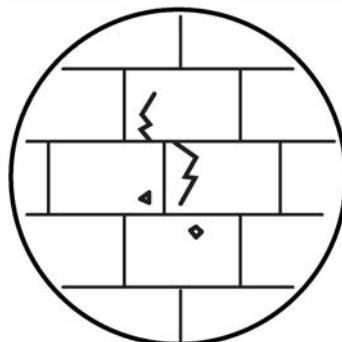
2. Match the drill bit to the wall anchor and hole size.



3. Only drill horizontally. Do not force the drill or enlarge the hole for the wall anchor.



4. Take extra care when drilling into high walls or ceramic tiles. Wall anchors should be a tight fit for the hole. Never use wall anchors in ceilings.



MAINTENANCE



We recommend a yearly check to see if the wall anchor or screw has loosened. If so, please remove the existing wall anchor and screw, and use a new anchor.