

02-332A

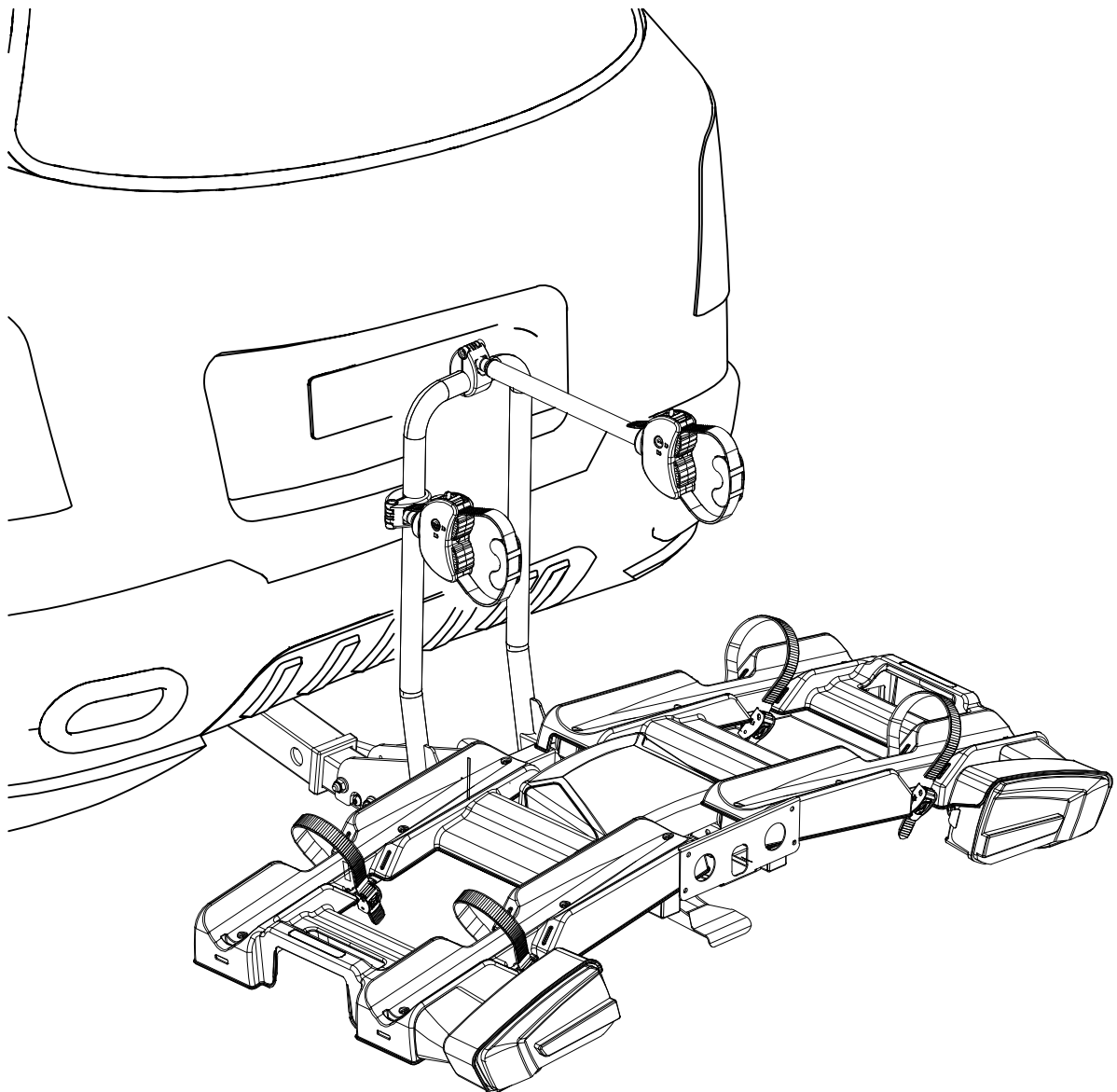
Instruction Manual

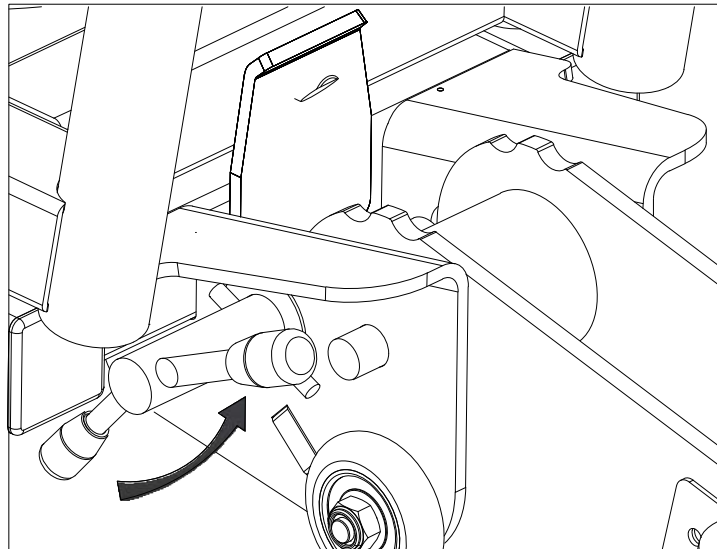
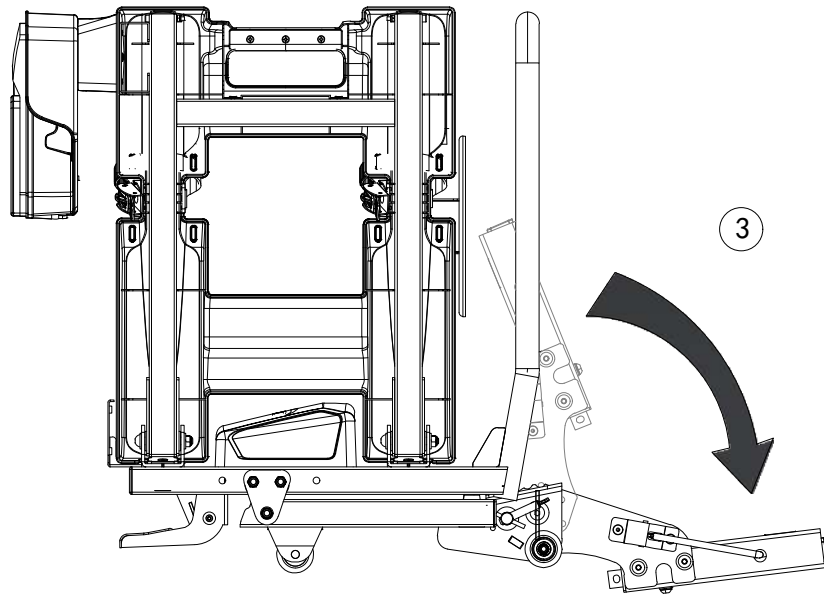
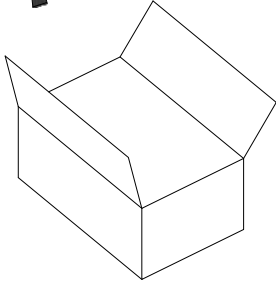
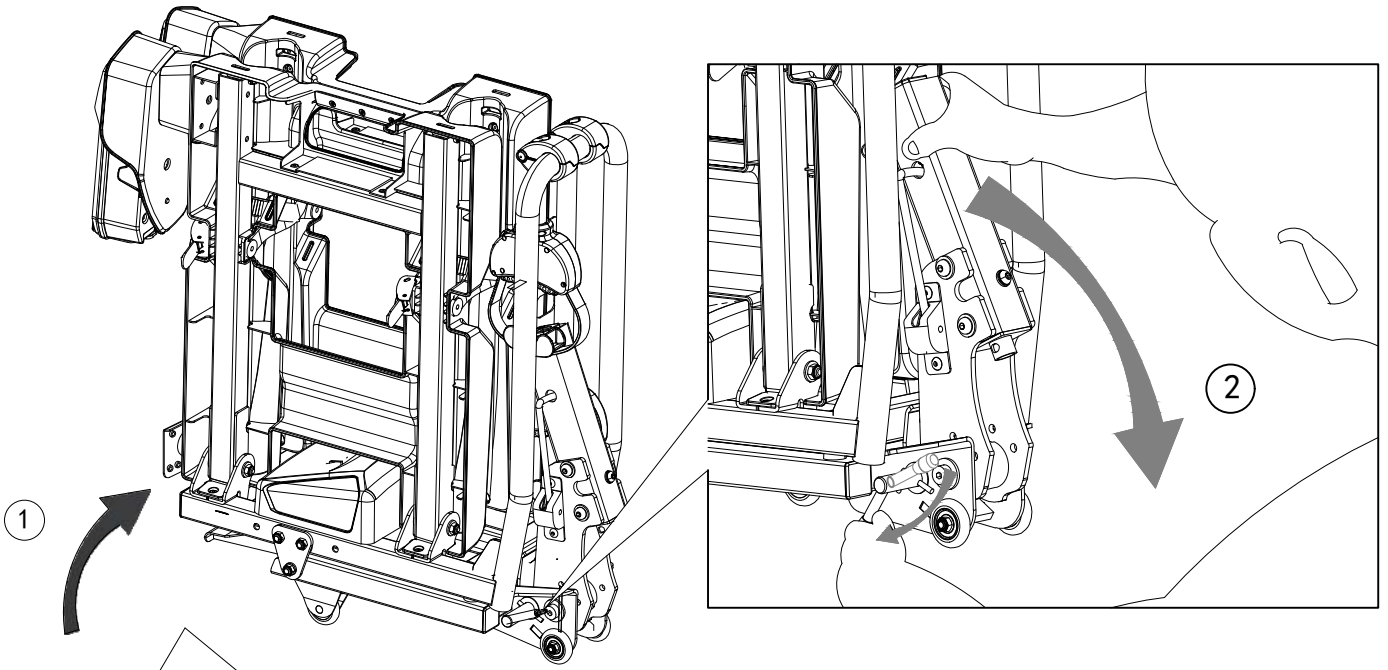


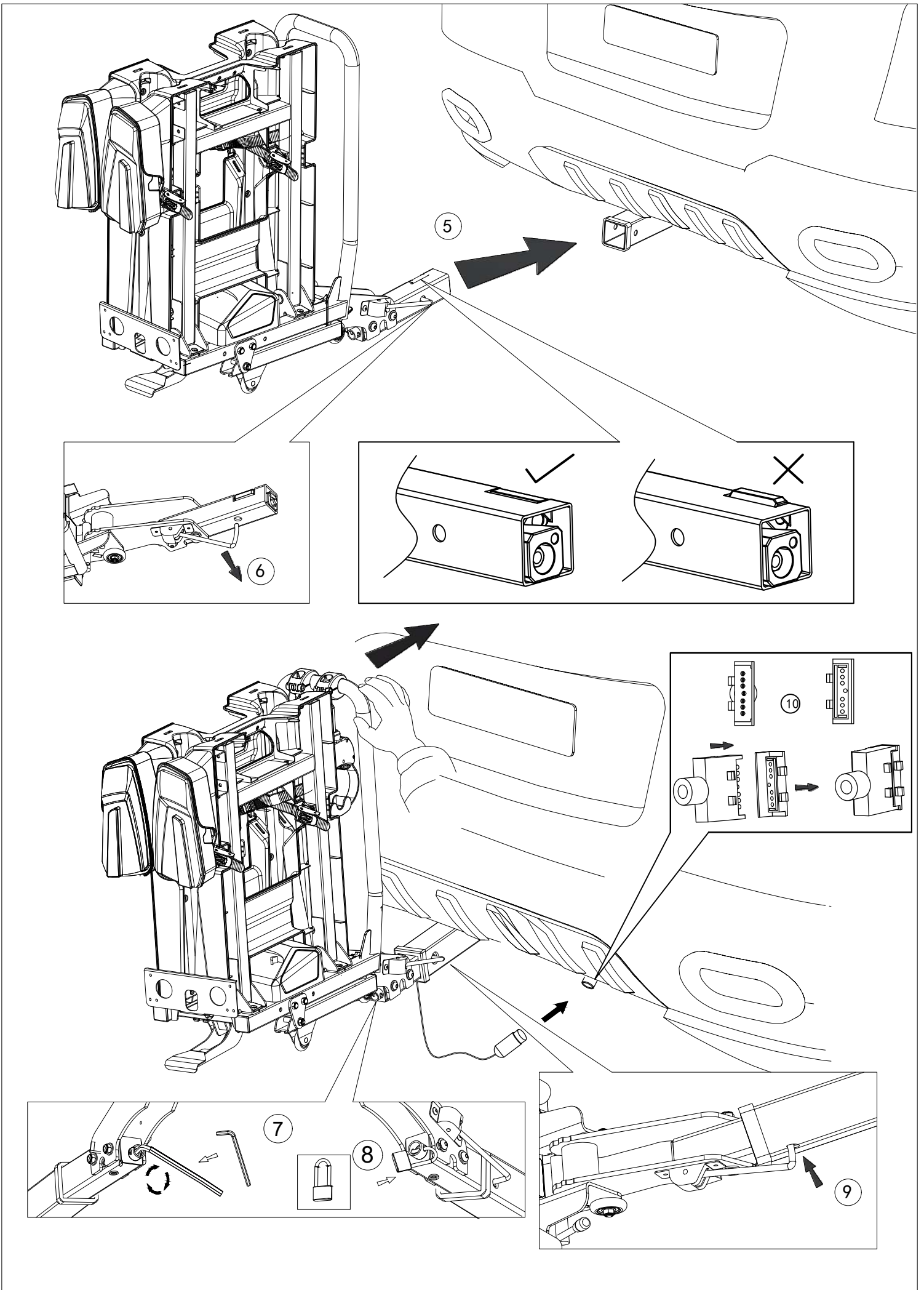
IMPORTANT, RETAIN FOR FUTURE REFERENCE: READ CAREFULLY!

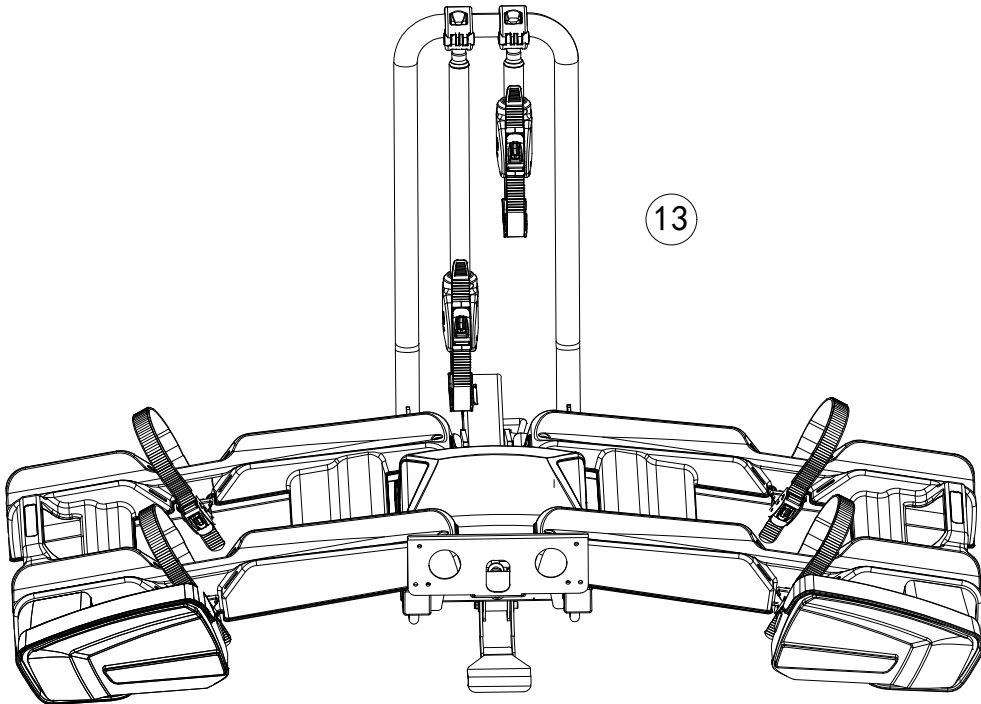
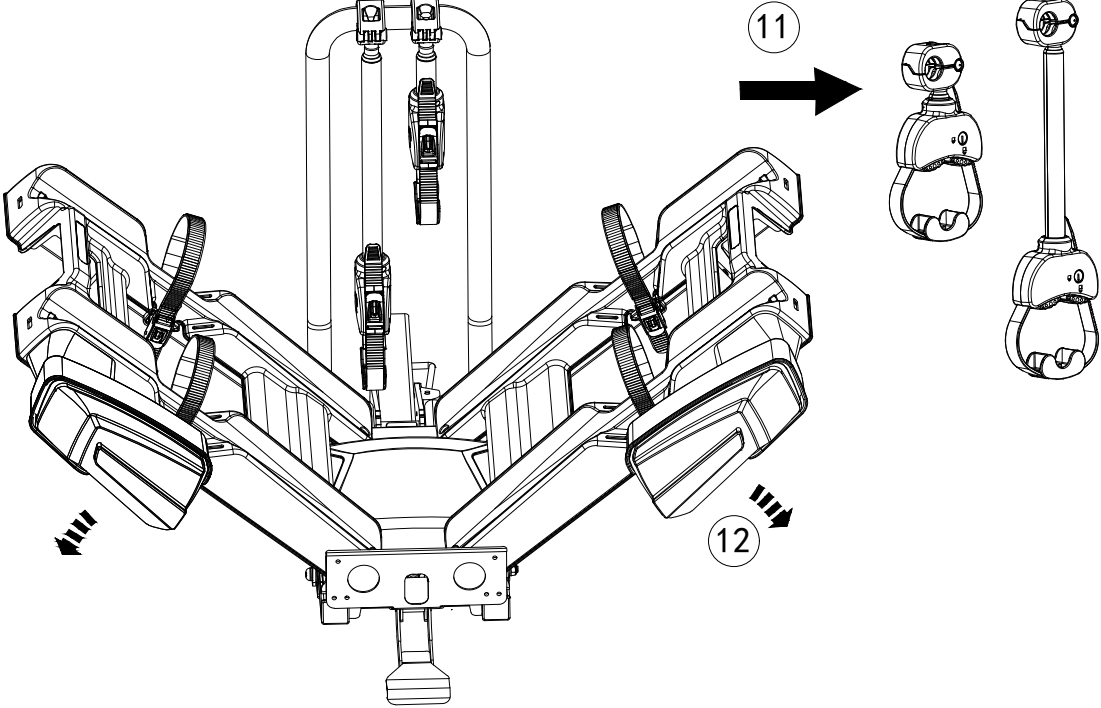
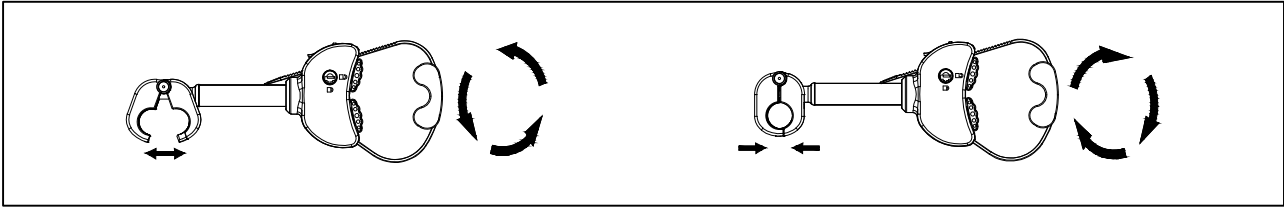
THIS MANUAL CONTAINS IMPORTANT INFORMATION REGARDING SAFETY, OPERATION MAINTENANCE AND STORAGE OF THIS PRODUCT. BEFORE USE, READ CAREFULLY AND UNDERSTAND ALL CAUTIONS, WARNINGS, INSTRUCTIONS AND PRODUCT LABELS. FAILURE TO DO SO COULD RESULT IN SERIOUS PERSONAL INJURY AND/OR PROPERTY DAMAGE

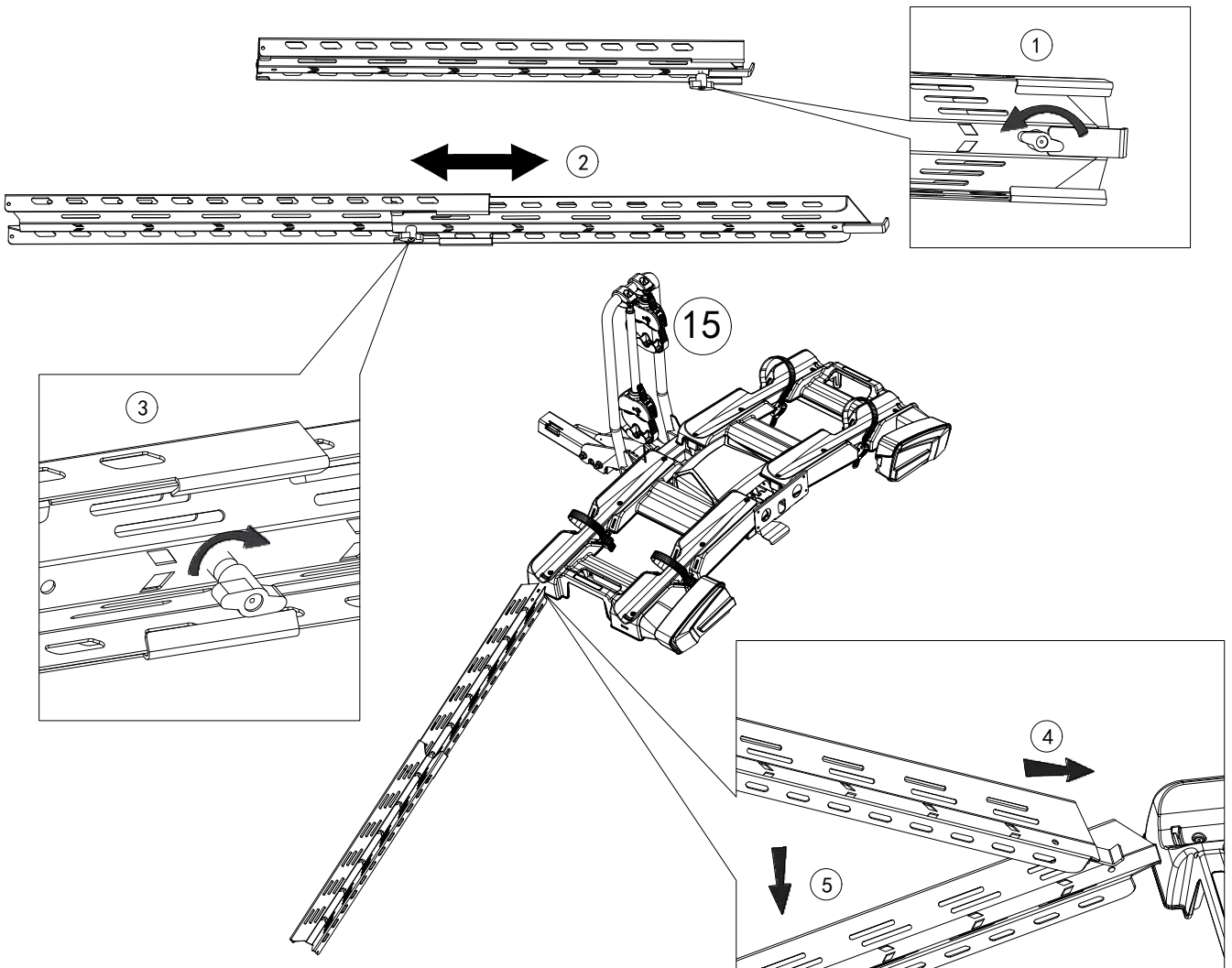
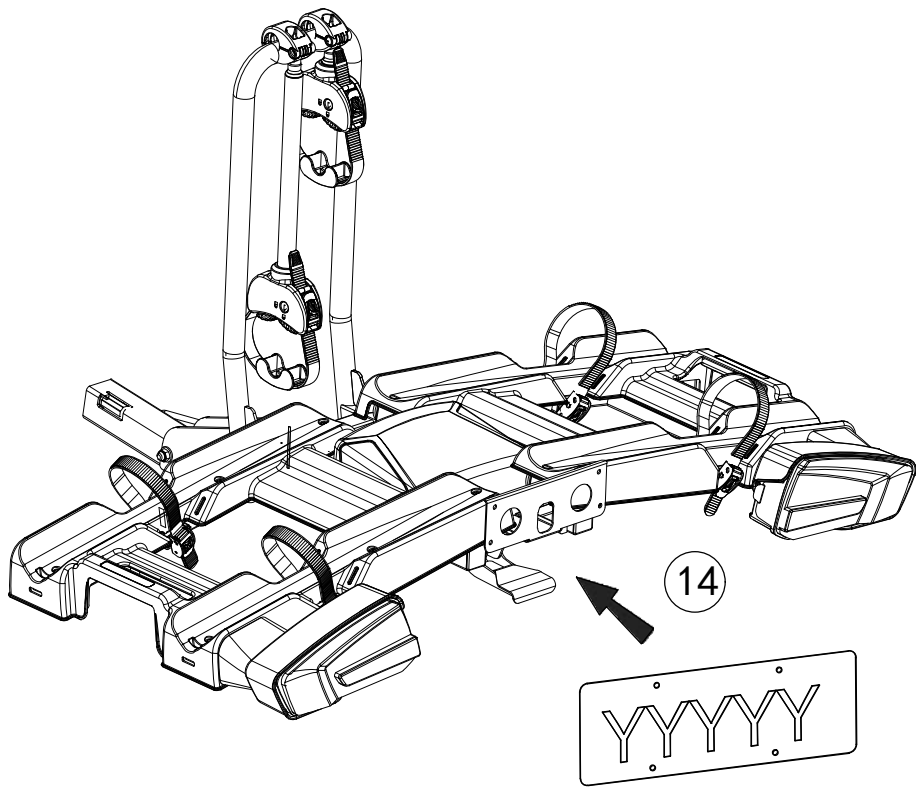
ATTENTION: THIS BIKE RACK IS DESIGNEL FOR USE ON PASSENGER CARS, SUVS AND LIGHT TRUCKS ONLY. DO NOT INSTALL ON TRAILERS, RECREATIONAL VEHICLES (RVs), FIFTH WHEELS, OR ANY TOWED VEHICLE.

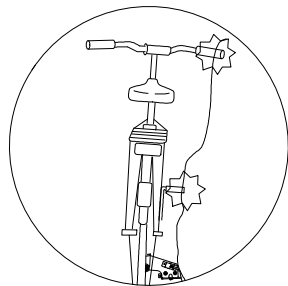
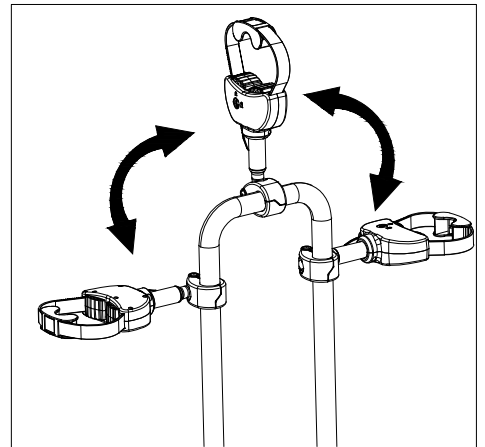
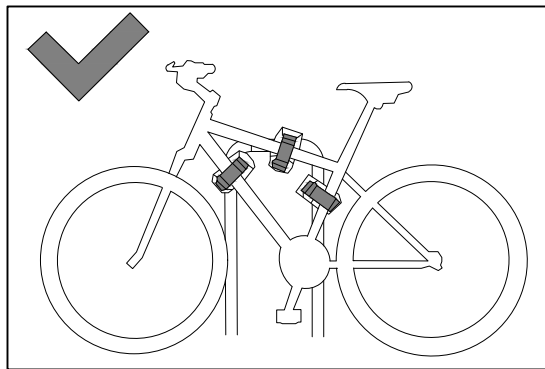
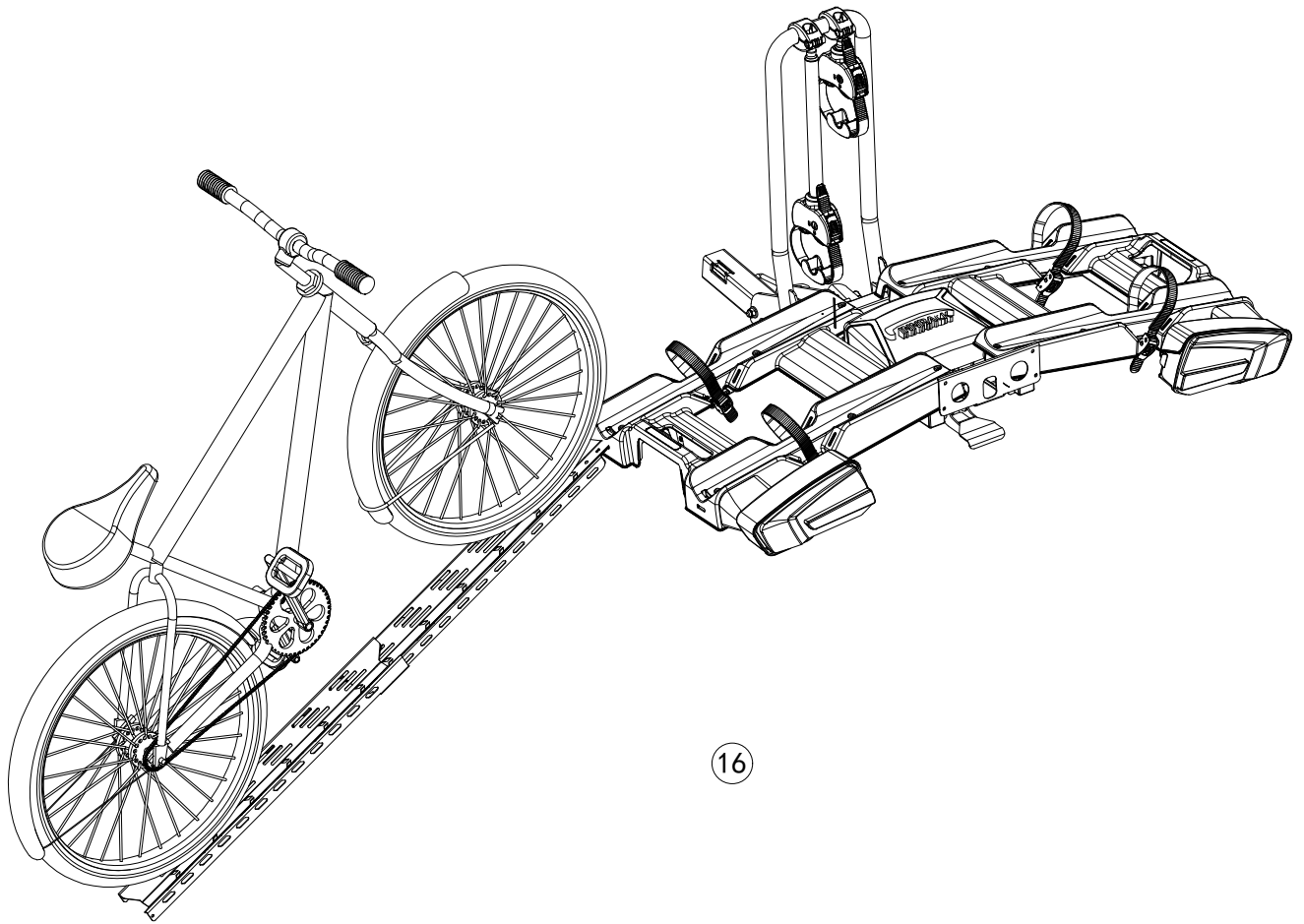




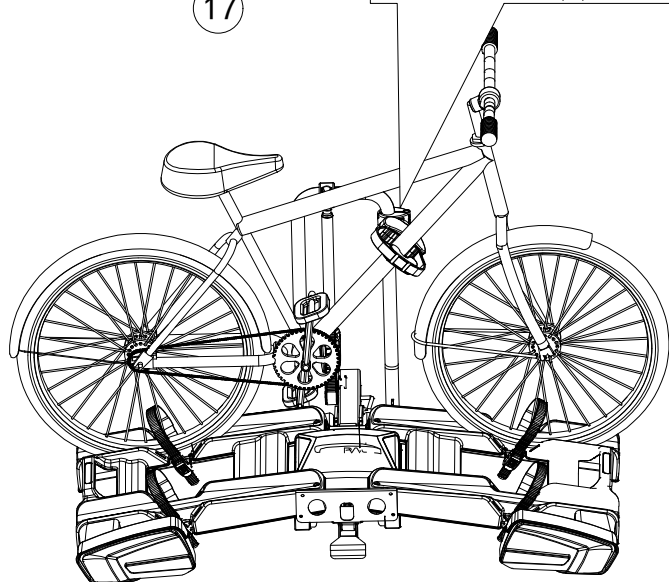
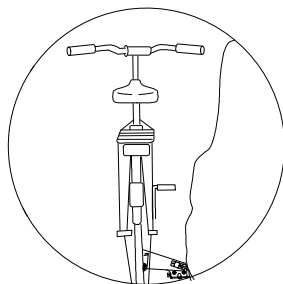


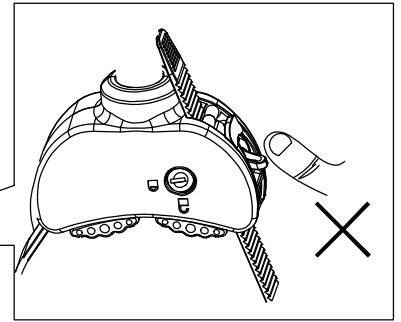
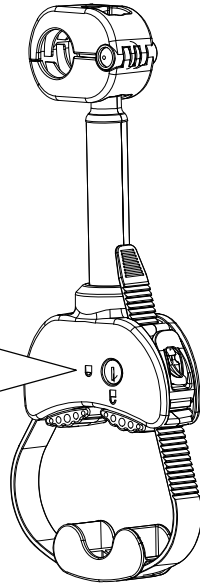
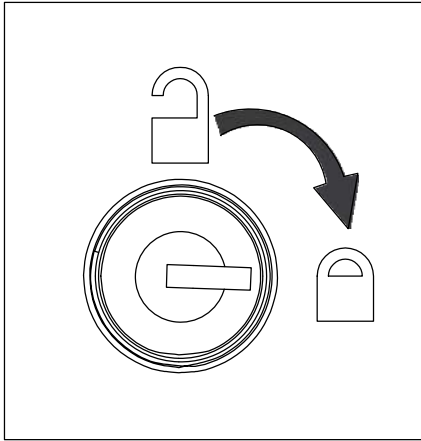




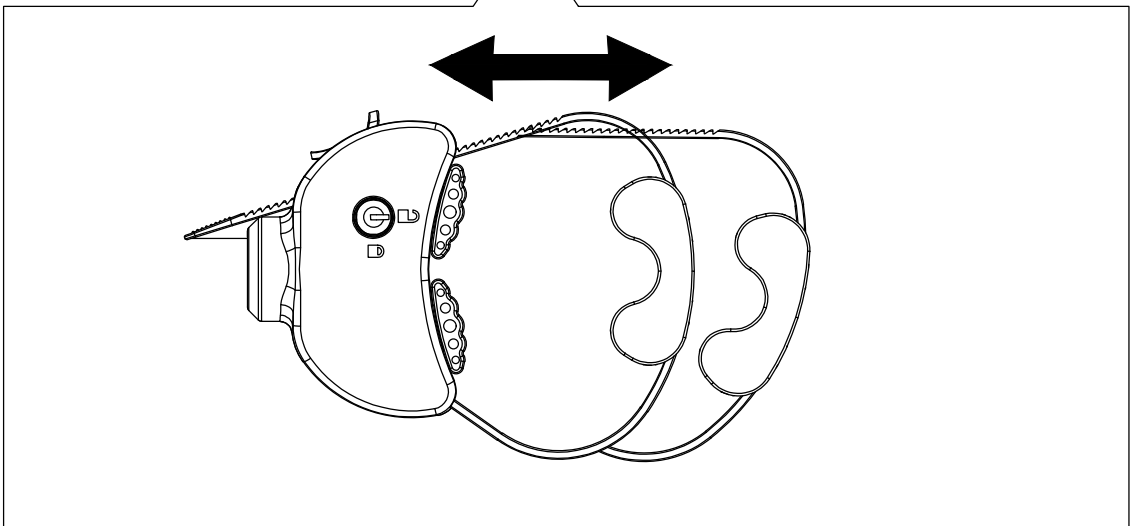
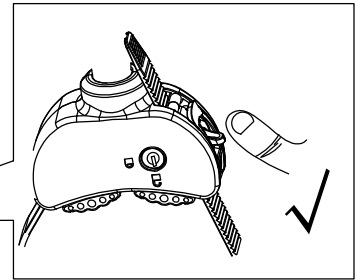
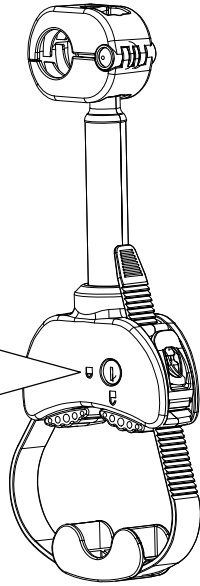
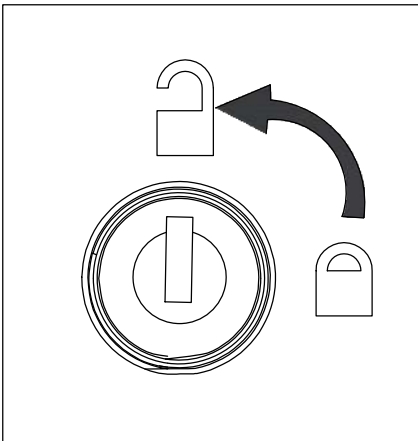


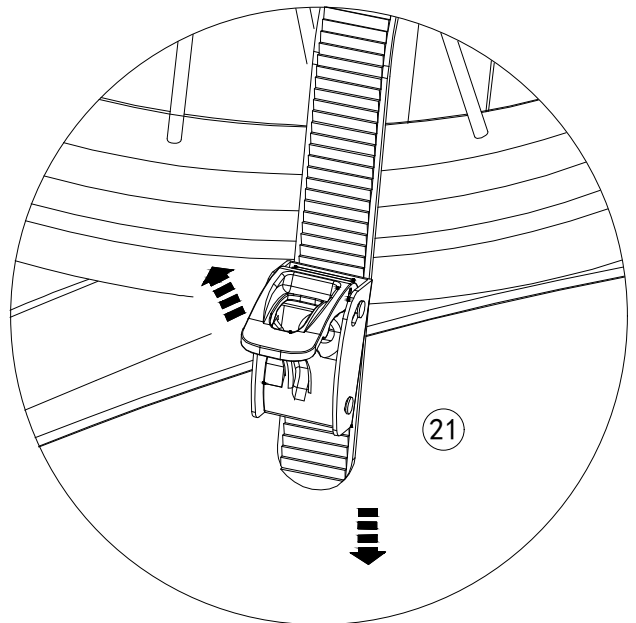
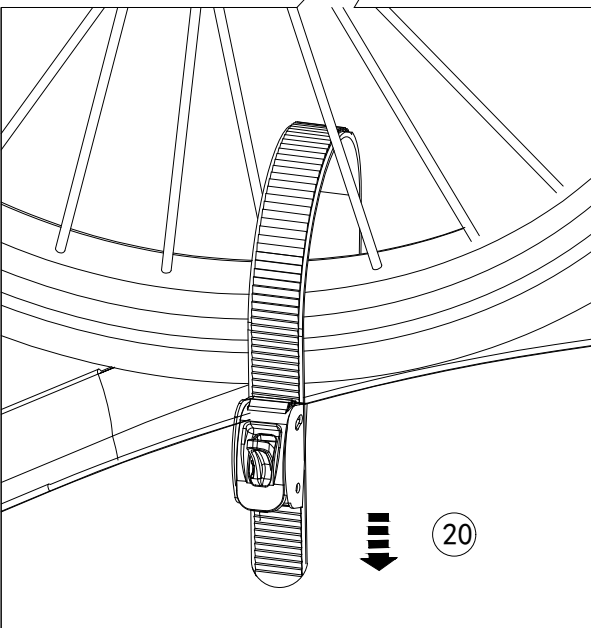
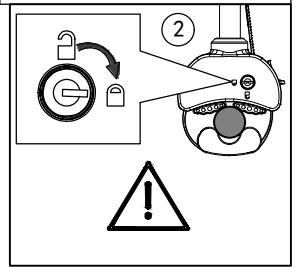
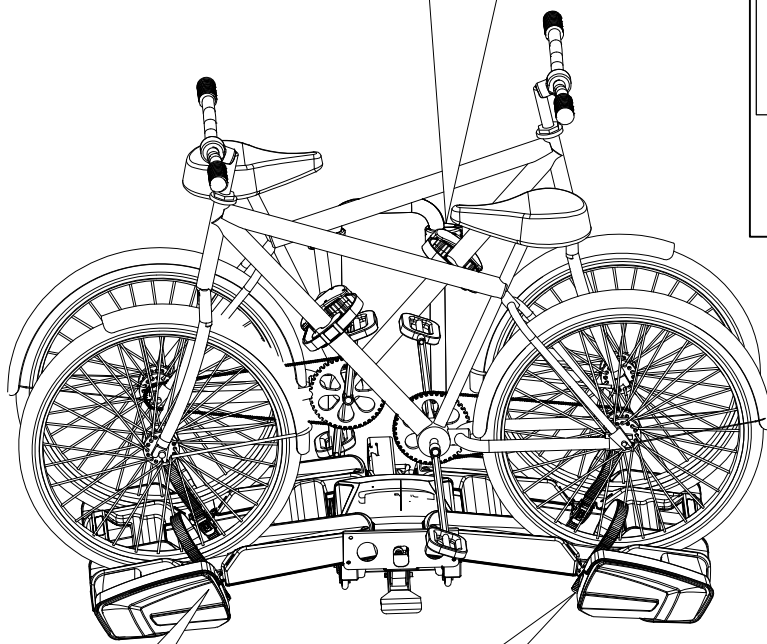
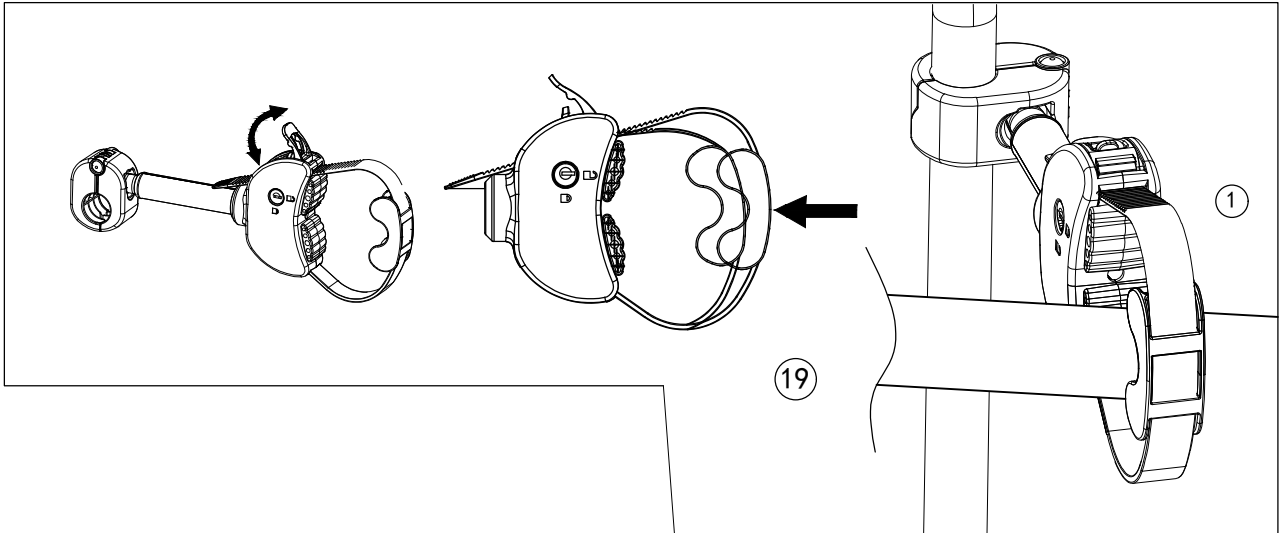
17

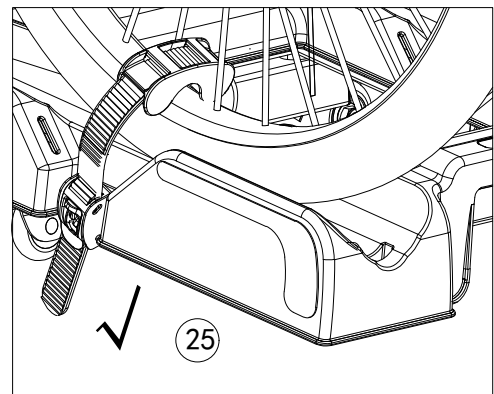
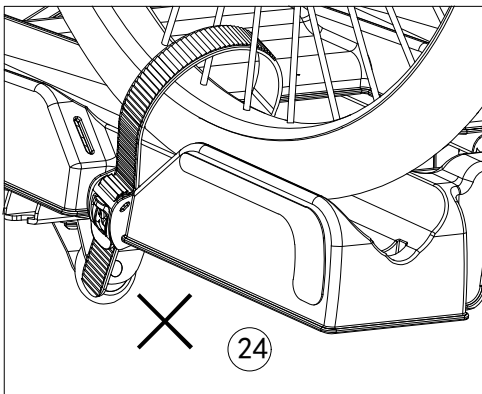
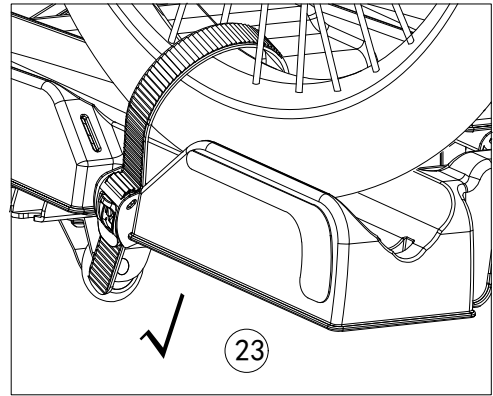
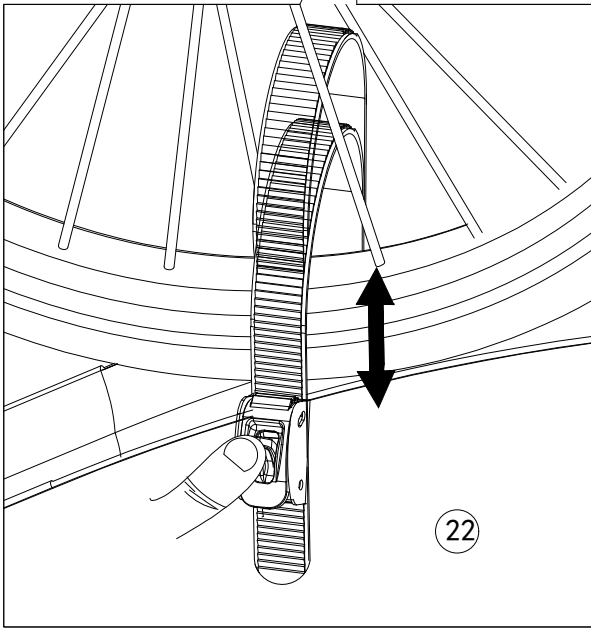
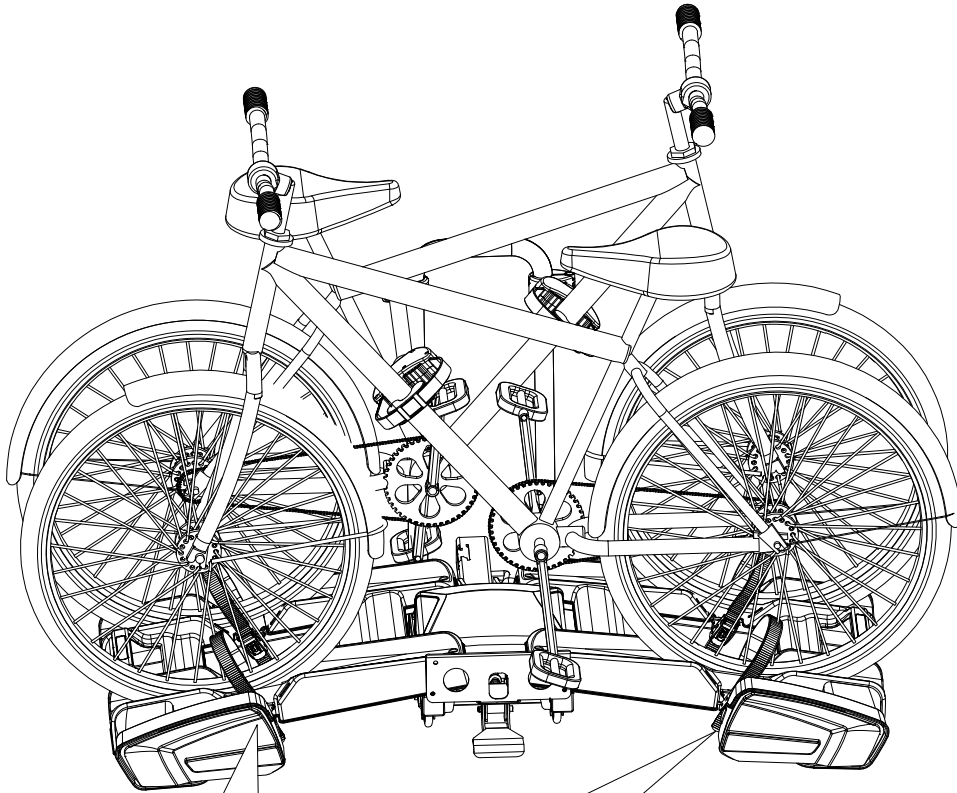


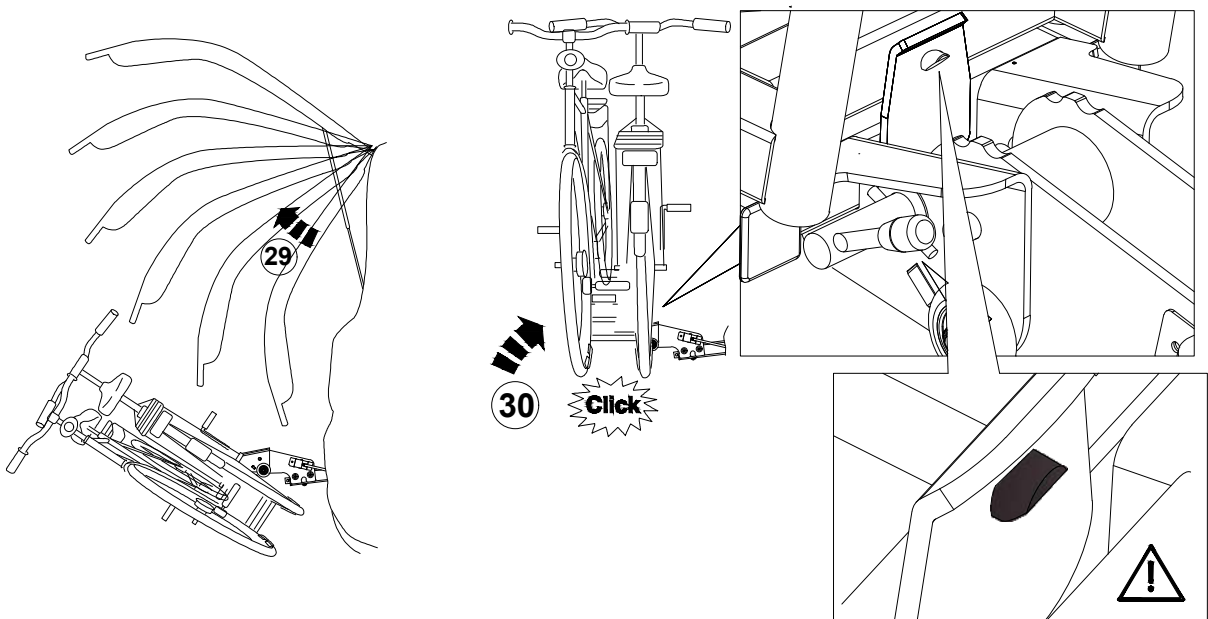
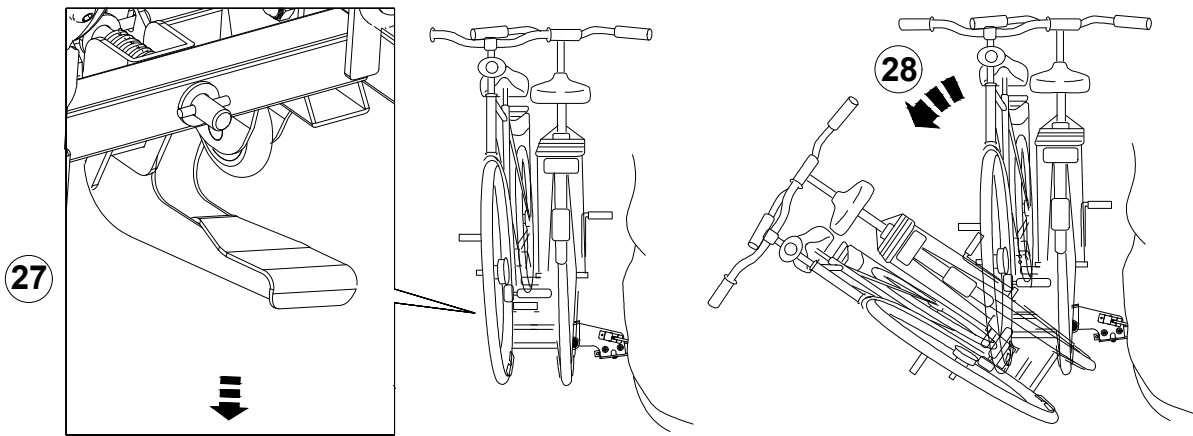
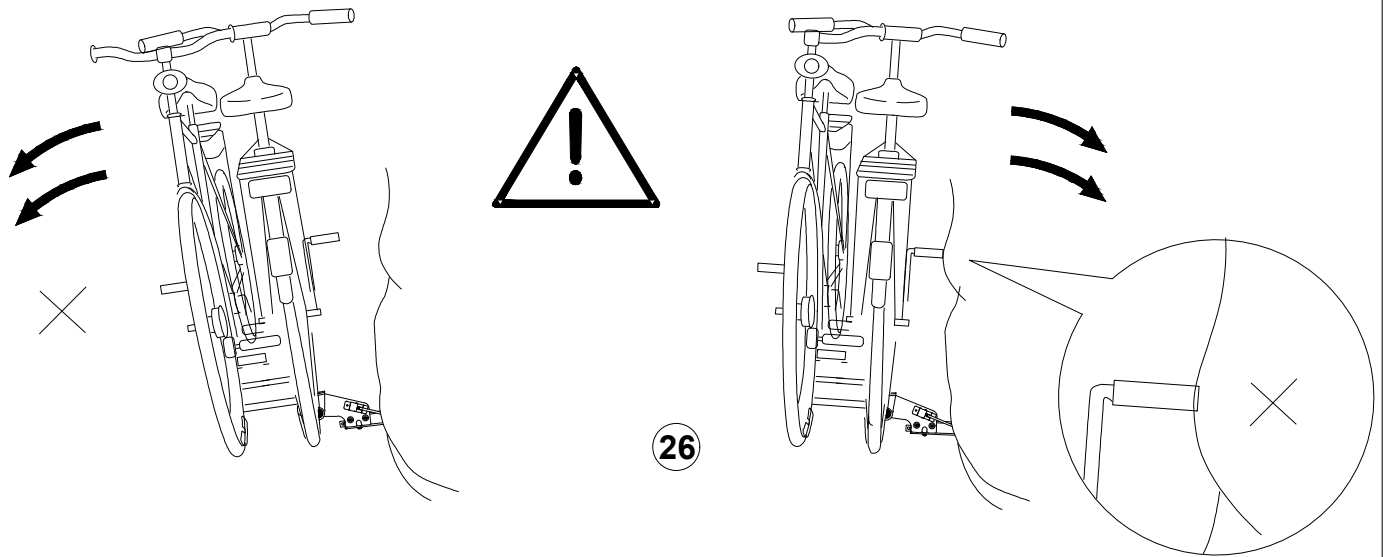


18









SPECIFICATION

This Bike Carrier is designed to fasten securely to most 50mm automotive tow ball receivers, however, variations in vehicle design and specifications make it impossible to guarantee that it will fit in all cases. The vehicle must be in good condition in the area supporting the tow ball. You are responsible to ensure the Carrier attaches safely and securely to the vehicle and that it holds the Bikes in a safe manner.

Designed for use on passenger cars, trucks and SUVs that have the correct tow ball receiver and carrying capacity.

Inappropriate use and/or fastening of the Carrier to the vehicle may lead to damage to Bikes, the Carrier and/or your vehicle. It may also inflict damage on other surrounding vehicles.

SAFETY INSTRUCTIONS

UNDERSTAND AND FOLLOW ALL INSTRUCTIONS BEFORE ASSEMBLY AND USE OF THIS PRODUCT.

1. Operate only according to the rules for safe operation in this manual. Carelessness or error on the part of the operator can result in serious injury or property damage. Observe all safety regulations, assembly. All persons who use or service the Carrier must be informed about potential hazards and must be well acquainted with this manual. This includes familiarizing themselves with the assembly instructions and operating instructions. It is essential to follow these instructions to ensure safety and prevent accidents or injuries.

2. It is critical that the Bike Carrier is properly secured to the vehicle. Attaching it improperly could result in a vehicular accident, causing serious bodily harm, injuries, or death to you or others, securing carriers and accessories properly to your vehicle is your legal responsibility.

3. Check the carrier prior to each use, and inspect for wear, function, and damaged or broken parts on a regular basis. Check frequently for worn or frayed straps and replace immediately. Do not use if damaged.

4. If you do not understand all of the instructions and cautions, or if your mechanical experience precludes following them, have the carrier installed by a professional.

5. DO NOT exceed the rated capacity of this Bike Carrier. DO NOT load cargo weighing more than 198lbs/ 90 kg.

6. DISTRIBUTE THE LOAD EVENLY.

7. Only use the Bike Carrier on flat and level surfaces.

8. NEVER impede or block the vehicle exhaust. It is crucial to always keep the exhaust path clear.

9. Turn off the vehicle and apply the parking brake before loading or unloading Bikes.

10. During acceleration or heavy braking, the product may experience moments of excess loading, causing unsafe conditions.

11. Ensure that the use of this Carrier is NOT in violation of local traffic regulations regarding protrusion from the vehicle or covering the license plates or taillights.

12. USE ONLY ORIGINAL EQUIPMENT PARTS AND ACCESSORIES.

The use of incorrect accessories may produce unforeseen hazards. It is crucial to avoid modifying the Bike Carrier in any way.

13. RETAIN THESE INSTRUCTIONS FOR FUTURE REFERENCE.

Be certain that any future user of this Bike Carrier is aware of all safety instructions, components, assembly procedures, warnings, and notes in this manual.

After-Sales Service Terms:

1. Product Warranty:

·The warranty period is 18 months, starting from the date of customer's receipt of the goods.

Within the warranty period, we provide free replacement of parts for any failures caused by manufacturing defects or material issues.

In case of non-artificial damages during the warranty period, we offer free replacement parts with shipping costs covered by us.

2. Customer-Induced Damages:

·Within the warranty period, if the product experiences failures caused by customer induced damages we still provide free replacement parts.

In this case, the customer will be responsible for the shipping costs.

3. Spare Parts and Accessories:

Customers can find information about the required parts and purchase options on our official website or by contacting our customer support team.

4. Customer Support:

·Our customer support team is available to provide professional assistance and guidance, addressing customer inquiries regarding the product and after-sales service.

Customers can reach out to us via phone, email, or online chat to connect with our customer support team.

5. Installation Guides and Videos:

·We provide detailed installation guides and instructional videos to assist customers in proper installation and usage of the product.

These resources can be found on our official website, offering step-by-step instructions, explanations, and recommendations for ensuring correct installation and operation.

6. Authorized Dealer Network:

·We have established a network of authorized dealers worldwide, allowing customer to purchase our products through these dealers and receive corresponding after-sales support and services.

We take pride in our commitment to customer satisfaction and stand behind the quality of our products. Should you have any questions or require assistance, please do not hesitate to contact our customer support team. We are dedicated to providing timely and effective solutions to ensure your continued satisfaction with our products.

A.0 General

A.1 We assume no liability for injury to persons, damage to movable or immovable property, loss of profit, or any other loss or damage caused by the improper mounting or use of the carrier, including but not limited to mounting or use in conflict with the assembly instructions, mounting instructions, or any other instructions given, in writing or verbally by us.

A.2 The carrier and its parts must not be modified in any way.

A.3 If you have any questions about the operation, use, and limits of the carrier, consult your dealer. Read all of the instructions and warranty information carefully before mounting and using the carrier.

B.0 Fitting

B.1 Ensure that all necessary parts of the carrier are present by checking the assembly instructions.

B.2 Carefully read and follow the assembly instructions and any included recommendation list. Fit the unit in the correct sequence by following the specified points.

B.3 Do not attempt to fit the carrier in any other way than the method shown in the mounting instructions.

c.0 Loading

C.1 Do not exceed the maximum load specified in the assembly instructions for the carrier. Additionally, always prioritize the maximum load recommended for the vehicle itself over the load specified in the assembly instructions. Adhere to the lower recommended maximum load and ensure it is not exceeded.

C.2 The maximum load specified in the assembly instructions applies to both vehicles in motion and parked vehicles.

C.3 Secure the load carefully and do not use elastic bungees.

C.4 Verify and do not exceed the maximum weight per bike specified in the mounting instructions.

c.5 When loading bikes onto the carrier position the largest and heaviest bikes closest to the car, followed by the smaller and lighter bikes.

C.6 The carrier is designed to carry only standard bike frames. Tandem bikes must not be transported on the carrier. Always check and do not exceed the maximum bike frame size (diameter) specified in the mounting instructions.

C.7 For bikes with carbon frames or forks, consult the bike manufacturer or dealer to confirm if using the carrier is permitted.

C.8 We recommend using our ~~own~~ Bike Frame Adapter for rear-mounted carriers, such as tow bar-mounted carriers and rear door-mounted carriers. We assume no liability for any

C.9 damage to carbon frames or fork incurred during mounting and/or use of the carrier.

C.10 Before transportation, remove all easily removable parts from the bikes, including but not limited to child seats, baskets, locks (if not permanently mounted), and air pumps. These parts can become detached during transportation due to increased air resistance and vibration, posing a danger to other road users.

C.11 If the vehicle is equipped with an automatic boot or tailgate opening

C.11 If the vehicle is equipped with an automatic boot or tailgate opening function, disable this function and open the luggage compartment manually when the rear-mounted carrier is fitted to avoid damage to the vehicle and/or the carrier.

C.12 If necessary, fit the load with appropriate lights and warning signs in accordance with local laws.

C.13 In the case of vehicles first type-approved after October 1, 1998, the rear-mounted carrier and/or the load must not cover the vehicle's third brake light. The vehicle's third brake light must be visible within the specified angles of the longitudinal and horizontal axes. If these figures are not met, fit an optional replacement brake light. Adhere to national laws while using the carrier

C.14 Keep the mounting and safety instructions, and if applicable, the EC-type approval, in the vehicle where the carrier is mounted.

C.15 Not intended for transporting tandems or recumbents.

C.16 Do not install the carrier on a trailer or other towed vehicle.

D.0 Driving characteristics and regulations

D.1 This product is not approved for and must not be used during off-road driving. Adjust your speed according to the prevailing road conditions and the load being carried. Regularly check the fastenings of the load

D.2 The vehicle driver is solely responsible for ensuring that the carrier is in perfect condition and that the carrier and load are securely fastened, even if fitted by a third person.

D.3 After driving a short distance (50km) and at regular intervals, check that the carrier is securely fitted every time it is used. If you notice any unusual noise, movement of the load and/or carrier, different behavior of the vehicle, or other unusual conditions stop and verify that the carrier and load are correctly secured as per the mounting instructions.

D.4 Mounting the carrier may increase the vehicle's total length and/or height. The bikes themselves may increase the vehicle's total width and height. Exercise caution when reversing, entering garages, or boarding ferries, considering the increased dimensions.

D.5 Immediately replace any damaged or worn parts of the carrier. During transportation, tighten all levers, bolts and/or nuts according to the mounting instructions.

D.6 Carriers equipped with a lock must always be in the locked position. Remove the keys and keep them inside the vehicle during transport

D.7 Be aware that the presence of the carrier may alter the vehicle's driving characteristics, braking behavior (including in curves), and vulnerability to side winds.

D.8 Depending on the carrier model, the car's tail lights may be obstructed. If necessary and if the carrier doesn't already have integrated rear lights, attach an external light board.

D.9 Depending on local laws, an additional number plate might be required. Attach it to the appropriate part of the carrier.

D.10 Adjust the vehicle's speed to the load being carried and the current driving conditions, such as road type, road quality, wind conditions, traffic intensity, and applicable speed limits. Under no circumstances should the speed exceed 130 km/h. Always comply with applicable speed limits and traffic regulations. D.11 Drive slowly over speed bumps, with a maximum speed of 10 km/h. D.12 Be aware that wind noise may occur during transport and may vary depending on the vehicle and load. D.13 For fuel economy, environmental impact, and the safety of other road users, remove the carrier from the vehicle when not in use.

E.0 Maintenance

E.1 Regularly clean the carrier using warm water or car shampoo, especially after using it in coastal areas (due to the effect of saltwater) or during periods when salt is applied to the roads (winter time).

E.2 When required, lubricate the coupling mechanism and other moving parts of the carrier, excluding the surfaces in contact with the tow ball surface.

E.3 Remove the carrier before using an automatic car wash.

E.4 Store the carrier in a dry storage area when it is removed from the vehicle. Ensure all components of the carrier are stored safely. Clean and maintain the carrier in accordance with the provided instructions.

E.5 When replacing lost or worn-out parts of the carrier, use only genuine Seven Peaks spare parts. Spare parts can be purchased from your authorized dealer or manufacturer.

E.6 When placing an order or making an inquiry for spare parts, provide the relevant product details and the serial number to expedite the process and avoid unnecessary delays.

E.7 To facilitate the replacement of lost or defective keys, make a note of the lock and key number, which can be found on your key.

E.8 Check rubber straps for wear and replace them if worn. Regularly inspect the rubber straps and replace them if they show signs of wear or damage.

E.9 Inspect the carrier for any signs of corrosion or rust. If any corrosion is present, clean and treat the affected areas to prevent further damage.

E.10 inspect the carrier's mounting points and connections regularly to ensure they are secure and in good condition. Tighten any loose screws or bolts as necessary.

E.11 Check the condition of the carrier's locks and security mechanisms. Ensure they are functioning properly and securely locking the carrier in place.

E.12 inspect the carrier's load-bearing components, such as bars or rails, for any signs of deformation or structural damage. If any damage is found, discontinue use and contact GEARZAAR for assistance.

E.13 If the carrier is equipped with adjustable features, such as telescopic bars or adjustable frames, ensure they are properly adjusted and locked into place before each use.

E.14 Keep the instruction manual and any warranty information in a safe place and easily accessible for future reference.

E.15 If you have any questions or concerns about the operation, use, or maintenance of the carrier, consult an authorized GEARZAAR dealer or contact GEARZAAR directly for assistance.