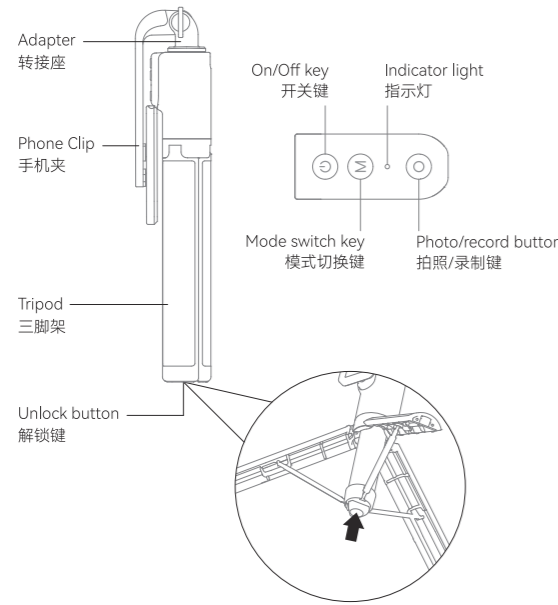


1.3M

Selfie Stick Tripod with Remote Control
1.3M 长款遥控自拍杆



How to use 遥控器使用方法

1 Remote Switch On/Off 遥控器开关机

long press the on/off button **(M)** for 3s, the remote switches on/off
* When the GoPro is paired and connected, the GoPro will be switched on and off when the remote control is switched on and off

长按 开关键 **(M)** 3s, 遥控器开机/关机

* 在配对连接GoPro状态下, 遥控器开关机时, GoPro也同步开关机

2 Connection 连接

① Select pairing mode 选择配对模式

• long press the mode key **(M)** for 3s to switch the pairing mode
If it is GoPro pairing mode, the indicator light will turn green and flash; if it is phone pairing mode, the indicator light will turn red and flash

• 长按 模式键 **(M)** 3s, 即可切换配对模式
若为GoPro配对模式, 指示灯绿色快闪; 若为手机配对模式, 指示灯红色快闪

② Pairing connection 配对连接

• To remotely control the gopro, open the remote in the gopro camera, and the pairing will be successful automatically, at which time the indicator light will change from fast flashing to slow flashing
• To remotely control a smart phone, open the phone Bluetooth, search for TC-RCSS, click on the pairing connection, and the pairing will be successful, at which time the indicator will change from fast flashing to slow flashing

* If the remote control is not paired with any device within three minutes, the remote control will automatically shut down

• 若要遥控gopro, 在gopro相机里打开 the remote, 即可自动配对成功, 此时指示灯由快闪变慢闪
• 若要遥控手机, 打开手机蓝牙, 搜寻 TC-RCSS, 点击配对连接, 即可配对成功, 此时指示灯由快闪变慢闪
* 若遥控器三分钟内未配对连接任何设备, 遥控器自动关机

3 Photo/Recording 拍照/录制

• In Gopro pairing mode, click the photo button **(P)** to start recording/photography; click the photo button **(P)** again to end recording/photography again. Click the mode switch key **(M)**, the camera mode switches among the photo / time lapse / video
• In the phone pairing mode, click the photo key **(P)** to take pictures; click the photo key **(P)** again to take pictures again; long press the photo key **(P)** for 2s to start recording; long press the photo key **(P)** again for 2s to end recording

• 在Gopro配对模式下, 单击 拍照键 **(P)**, 开始录制/拍照; 再次单击 拍照键 **(P)**, 结束录制/再次拍照; 单击 模式切换键 **(M)**, 相机的模式在拍照/延时/ 视频三个模式中切换

• 在手机配对模式下, 单击 拍照键 **(P)**, 拍照; 再次单击 拍照键 **(P)**, 再次拍照; 长按 拍照键 **(P)** 2s, 开始录制; 再次长按 拍照键 **(P)** 2s, 结束录制

4 Charging status is displayed 充电状态显示

when charging is in progress, the indicator shows a red light; when charging is complete, the indicator shows a green light

充电中, 指示灯显示红灯; 充电完成, 指示灯显示绿灯

Product Parameters 产品参数

Model: TE-RCSS-003 型号: TE-RCSS-003
Brand: TELESIN 品牌: TELESIN
Size: 48x32x245mm 尺寸: 48x32x245mm
Weight: 320g 重量: 320g

Packing list: 1.3m selfie stick, remote control, phone clip, long screw, data cable
包装清单: 1.3米自拍杆、遥控器、手机夹、长螺杆、数据线

Remote control 遥控器

Voltage: 3.7V/40mAh 0.148Wh 电压: 3.7V/40mAh 0.148Wh
Input: USB-C: 5V=100mA,0.5W Max 输入: USB-C: 5V=100mA,0.5W Max
Operating temperature: 0-45°C 工作温度: 0-45°C
Use time: approximately 5H 使用时间: 约5H
Charging time: about 1H 充电时长: 约1H

Disclaimer 免责声明

Please read this statement carefully and by using this product you will be deemed to have acknowledged and accepted it in full. Please check the product carefully before each use and do not use it if damaged or deformed. By using this product, you acknowledge and agree that you are fully responsible for your actions and the possible consequences of using this product. You undertake to use this product only for legitimate and lawful purposes. You understand and agree that ("Telesin") shall not be liable for any misuse, adverse effects, damages, injuries, penalties or other legal consequences arising directly or indirectly from the use of this product. The user should follow the precautions including but not limited to those mentioned herein. To the extent Telesin reserves the right to interpret and modify this commitment within the limits of national laws and regulations.

/ 请仔细阅读本声明, 一旦使用本产品, 即视为对本声明的全部认可和接受。每次使用前, 请仔细检查产品, 若出现破损、变形, 请勿使用。使用本产品, 就意味着您认可并同意, 您将对本产品的行为和可能产生的后果负全部责任。您承诺仅会出于正当合法的目的使用本产品。您理解并同意, 对于直接或间接使用本产品而造成的滥用, 不利影响, 损害、伤害, 惩罚或者其他法律后果, 泰迅数码有限公司(以下简称“Telesin”)概不承担任何责任。用户应遵循包括但不限于本文提及的使用注意事项, 在国家法律法规范围内, 本承诺解释权, 修改权归 Telesin 所有。

www.telesin.cn

卡纸类生产检验标准	编号	物料名称	物料代码	材质	工艺	尺寸
1.包装盒尺寸允许误差范围±1mm	①	1.3米长款遥控自拍杆-说明书		300g单粉卡+哑膜 双面印刷		200x117mm
2.模切整齐, 无爆边, 无皱角, 爆角	②					
3.印刷清晰, 颜色准确, 无色系偏差, 无墨点, 脏污, 允许走位±1.5mm	③					
4.粘贴位齐平, 无残胶, 溢胶	④					
5.划痕允许范围A级面: 无触感L≤20mm,w≤0.5mm,QTY≤1mm可接受, B级面: 无触感L≤30mm,w≤1mm,QTY≤2mm可接受,						
包装未注尺寸公差:						
外箱/纸板未注公差: ±3mm		彩盒纸类未注公差: ±1mm				
吸塑未注公差: ±0.5mm		丝印/雕刻纸板未注公差±0.2mm				
泡棉未注公差±0.5mm		布包未注公差±1mm				

图 纸 变 更 历 程	名称	1.3米长款遥控自拍杆			尺寸	型号	TE-RCSS-003	日期	20220822
	材质	表面处理			比例	1	版次	A/1	页次
	TELESIN		深圳市泰迅数码有限公司		类型	自研	审核	确认	制图
	结构印刷	变更内容	签名	日期	江虾仔				

FCC Warning

This device complies with part 15 of the FCC Rules. Operation is subject to the following two conditions:

(1) This device may not cause harmful interference, and (2) this device must accept any interference received, including interference that may cause undesired operation.

Any Changes or modifications not expressly approved by the party responsible for compliance could void the user's authority to operate the equipment.

Note: This equipment has been tested and found to comply with the limits for a Class B digital device, pursuant to part 15 of the FCC Rules. These limits are designed to provide reasonable protection against harmful interference in a residential installation. This equipment generates uses and can radiate radio frequency energy and, if not installed and used in accordance with the instructions, may cause harmful interference to radio communications. However, there is no guarantee that interference will not occur in a particular installation. If this equipment does cause harmful interference to radio or television reception, which can be determined by turning the equipment off and on, the user is encouraged to try to correct the interference by one or more of the following measures:

- ▶ -Reorient or relocate the receiving antenna.
- ▶ -Increase the separation between the equipment and receiver.
- ▶ -Connect the equipment into an outlet on a circuit different from that to which the receiver is connected.
- ▶ -Consult the dealer or an experienced radio/TV technician for help.

The device has been evaluated to meet general RF exposure requirement. The device can be used in portable exposure condition without restriction.