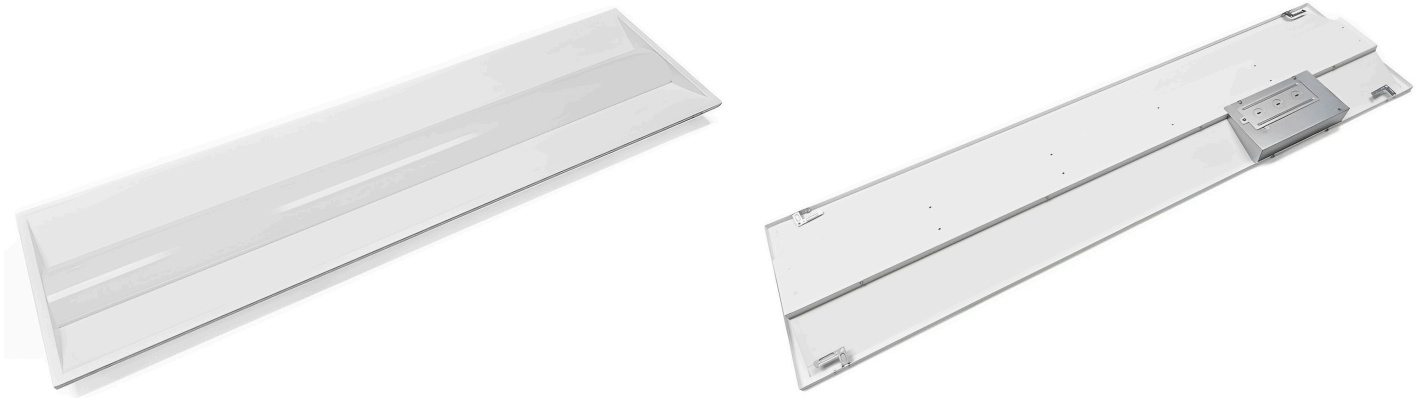


Installation Instructions



Safety Instruction

Basic safety precautions should always be followed when installing, including the following:

1. Read instructions carefully before installing.
2. This LED Troffer requires professional installation and maintenance.
The troffer should be installed by a licensed electrician.
3. The power supply of the LED Troffer should be powered by a dedicated external LED driver.
4. Disconnect the power supply before installing or maintenance.
5. Make sure the wires have been properly connected before powering on the device.
6. Ensure the product has enough space for heat dissipation.
7. Ensure the luminaries are never covered by any heat insulation mat or slim layer material at anytime.
8. Suitable for damp locations.
9. Ambient temperature: -13°F to 113°F avoid direct sunlight.
10. Storage conditionings: Cool & dry conditions.

Instruction Procedure

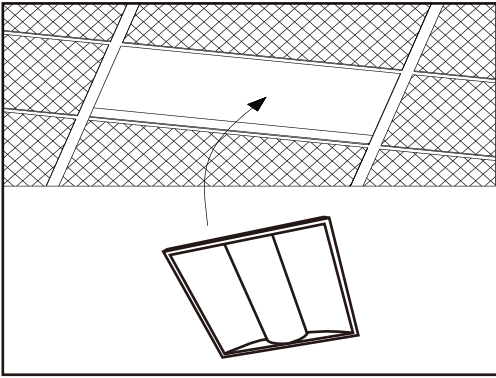
Warning:

1. Switch off before installation.
2. Switch on only after complete installation and examination of the circuit.

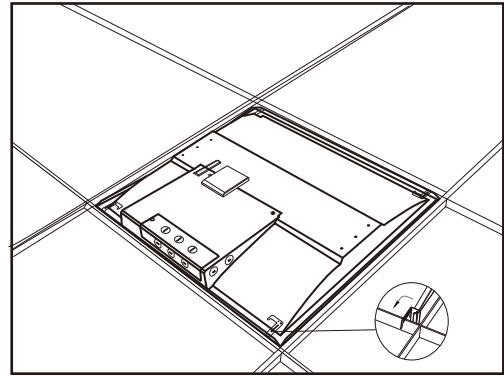
Caution:

Make sure that the mounting surface or structural member used for installation can support the weight of LED Troffer.

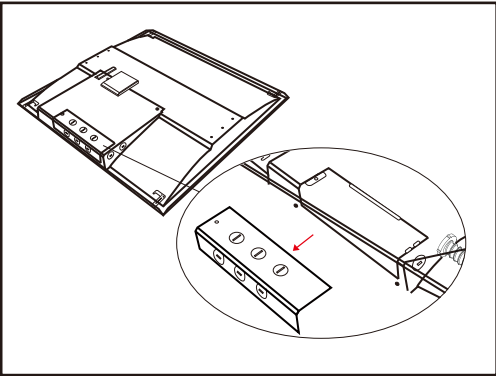
Step 1. Replace existing lighting fixture from ceiling with LED Troffer.



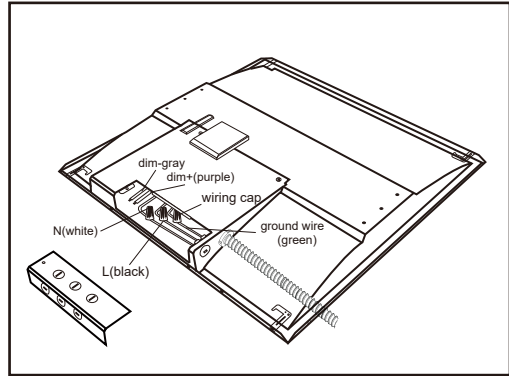
Step 2. Use the protective brackets for the sake of safety.



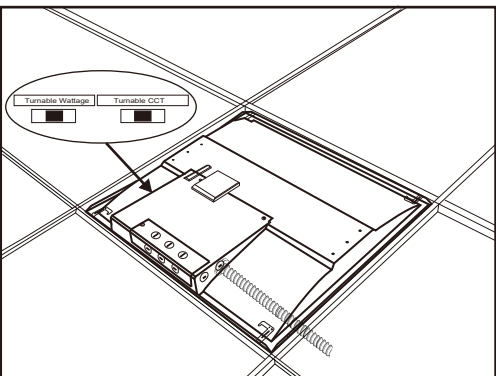
Step 3. Unscrew the driver cover.



Step 4. Connect other wires separately.



Step 5. Select the CCT and wattage you want. (Ignore these steps if without the function).



Step 6. Put on the driver cover and fix with screw.

