

STOVES



Installation Instructions

Stoves Richmond 100/110cm Electric Induction

Table Of Contents

MODELS COVERED BY THIS DOCUMENT	3
COUNTRIES OF DESTINATION:	4
SAFETY & WARNING INFORMATION	5
WARNINGS	5
CAUTIONS	6
BEFORE INSTALLATION	7
LEVELLING THE COOKER	7
ADJUSTING HEIGHT OF REAR WHEELS	7
REMOVING THE SLOW COOK COMPARTMENT DOOR TO ADJUST THE HEIGHT OF THE WHEEL ASSEMBLIES OR TO FIT THE DECORATIVE COVER PLINTH (100CM AND 110CM STOVES MODELS ONLY).	8
FITTING THE DECORATIVE COVER PLINTH (IF REQUIRED)	9
FITTING THE TOWEL RAIL (APPLICABLE TO 90CM, 100CM AND 110CM RICHMOND RANGE COOKERS)	10
DIMENSIONS & CLEARANCES	11
CONNECTING TO THE ELECTRICITY SUPPLY TERMINAL BLOCK	13
COMMISSIONING	16
TECHNICAL DATA	17
ENERGY DATA TABLE	18

MODELS COVERED BY THIS DOCUMENT

Model Number:	Model Description:	Model Number:	Model Description:
444411858	ST RCA RICH 100Ei TCH ANT	444412022	ST DX RCA RICH 100Ei RTY IWH
444411859	ST RCA RICH 100Ei TCH BLK	444412023	ST DX RCA RICH 100Ei RTY TWB
444411860	ST RCA RICH 100Ei TCH CRM	444412024	ST DX RCA RICH 100Ei RTY MBL
444411864	ST RCA RICH 110Ei TCH ANT	444412025	ST DX RCA RICH 100Ei RTY DMA
444411865	ST RCA RICH 110Ei TCH BLK	444412026	ST DX RCA RICH 100Ei RTY GAR
444411866	ST RCA RICH 110Ei TCH CRM	444412033	ST DX RCA RICH 110Ei RTY AGR
444411873	ST DX RCA RICH 100Ei RTY BLK	444412034	ST DX RCA RICH 110Ei RTY IWH
444411874	ST DX RCA RICH 100Ei RTY CRM	444412035	ST DX RCA RICH 110Ei RTY TWB
444411878	ST DX RCA RICH 110Ei RTY BLK	444412036	ST DX RCA RICH 110Ei RTY MBL
444411879	ST DX RCA RICH 110Ei RTY CRM	444412037	ST DX RCA RICH 110Ei RTY DMA
444412021	ST DX RCA RICH 100Ei RTY AGR	444412038	ST DX RCA RICH 110Ei RTY GAR

COUNTRIES OF DESTINATION:

GB- United Kingdom	✓
IE - Ireland	✓
BE - Belgium	
DE - Germany	
NL - Netherlands	
PL - Poland	
SE - Sweden	
AU - Australia	
NZ - New Zealand	

SAFETY & WARNING INFORMATION

Please read the following information carefully:

WARNINGS



WARNING

We strongly recommend that this appliance is connected by a competent person who is a member of a 'Competent Person Scheme', who will comply with the required regulations.

Any servicing, maintenance or repair work on the appliance must only be carried out by authorised personnel.

Installation, maintenance and repair work that is carried out by unauthorised persons could be dangerous and could invalidate the manufacturer's warranty.



WARNING

Ensure that the appliance is switched off before replacing the lamp to avoid the possibility of electric shock.



WARNING

Danger of fire: do not store items on the cooking surfaces.



WARNING

Servicing should be carried out only by authorised personnel.



WARNING

FAILURE TO INSTALL APPLIANCES CORRECTLY IS DANGEROUS AND COULD LEAD TO PROSECUTION.



WARNING

Do not modify this appliance.



WARNING

This appliance must be earthed.

CAUTIONS



CAUTION

Make sure that you have removed all packaging and wrapping. Some of the items inside this appliance may have additional wrapping.

It is advised that you turn the ovens and/ or grill on for a short while. This will burn off any residues left from manufacturing. There may be a smell which accompanies this process - but this is nothing to worry about and is harmless.

It is recommended that you wash the oven shelves, baking tray, grill pan, and grill pan trivet before their first use in hot soapy water. This will remove the protective oil coating used during storage.



CAUTION

We recommend that this appliance is connected by a competent person who is a member of a 'Competent Person Scheme', who will comply with the required regulations.



CAUTION

Ensure that you route all mains cables well clear of any adjacent heat source.



CAUTION

Electrical connection should be made with a suitable flexible cable which can withstand a temperature rise of at least 70°C.



CAUTION

The space for air circulation, located underneath and at the back of the appliance, improves its reliability by ensuring that it will cool down efficiently.

Ensure that all specified vents, openings and air-spaces on the appliance are not blocked.

Make sure that air is able to circulate freely around the appliance.



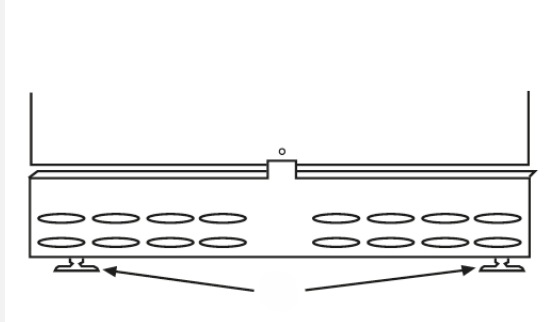
CAUTION

Take care if moving the appliance, panel edges could be sharp. Failure to use caution could result in injury or cuts.

Do not attempt to lift or move the appliance by pulling on the door handles.

BEFORE INSTALLATION

LEVELLING THE COOKER



NOTE

- The levelling feet are supplied with two locknuts, which can be used when adjusting the cooker height to worktop heights between 900-930mm.
- When adjusting the cooker height to worktop heights a little lower than 900mm, please remove one of the locknuts from each foot to be able to adjust the height of the cooker lower.

1. Place a spirit level on a baking sheet onto an oven shelf.
2. The cooker is fitted with levelling feet (see below diagram). Level the cooker to the desired height using the levelling feet at the front of the cooker.

ADJUSTING HEIGHT OF REAR WHEELS



1. Open the lower oven doors.
2. To adjust the height of the rear wheel assemblies, insert a flat-headed screw driver into the circular holes in the lower front frame, and turn to raise or lower the wheels.



IMPORTANT

Please note, on 100cm and 110cm-wide models, it will be necessary to remove the bottom-right slow cook compartment door to access the bottom-right circular hole. Please see the instructions below.

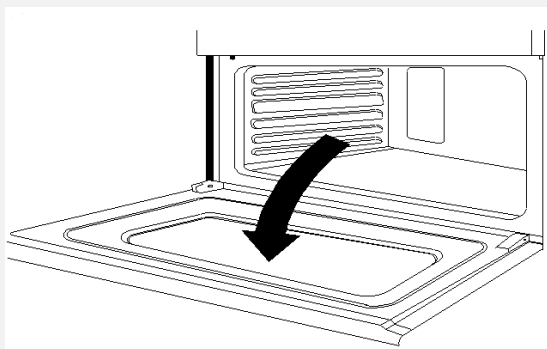
REMOVING THE SLOW COOK COMPARTMENT DOOR TO ADJUST THE HEIGHT OF THE WHEEL ASSEMBLIES OR TO FIT THE DECORATIVE COVER PLINTH (100CM AND 110CM STOVES MODELS ONLY).



CAUTION

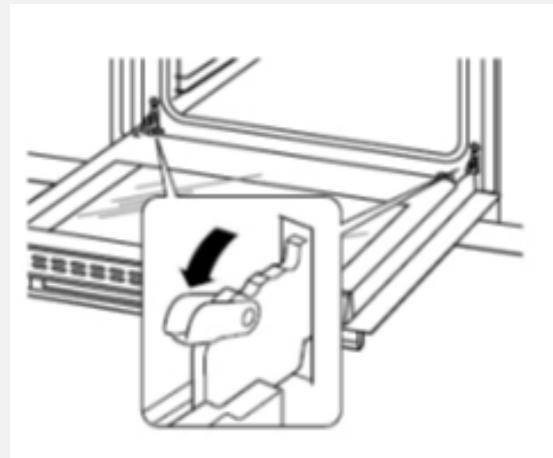
- Wear protective gloves when removing, handling and refitting the door.
- Keep fingers well away from the hinges to avoid the risk of injury if they were to spring back.
- Handle the door carefully and gently as it contains glass panels - risk of breakage.
- Do not carry or hold the door assembly by the door handle - risk of breakage.

Open the door fully.

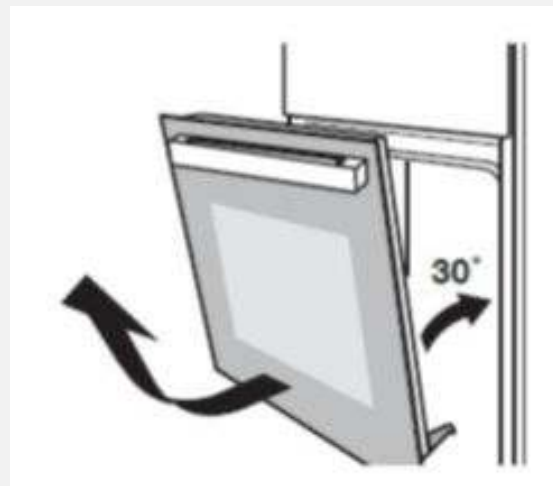


Pull the locking latch on each hinge forwards and downwards towards you.

The locking latches may be stiff if they have not been moved before and it may be necessary to use pliers.

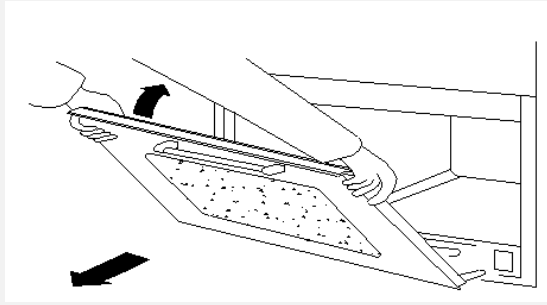


Partially close the door to about a 30° angle.



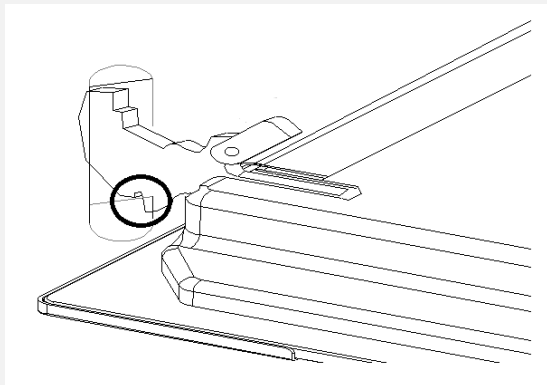
Place one hand on either side of the door assembly and carefully lift it up and then out, away from the body of the cooker. Do not carry the door assembly by the door handle.

Carefully place the door assembly on a flat surface. Keep fingers well away from the hinge area.



The bottom-right circular hole in the lower front frame can now be accessed to adjust the rear wheel height with a flat-headed screwdriver, and / or the screws can be accessed to fit the decorative cover plinth.

When replacing the door assembly, ensure that the indentation groove in the hinge is aligned with the lip of the hinge receiver opening on the body of the cooker.



Open the door fully.

Push the locking latch on each hinge downwards and backwards, away from you, as far as they will go.

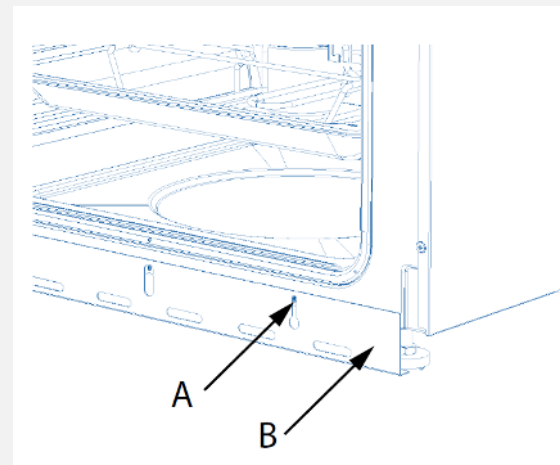
Close the door fully as usual.

FITTING THE DECORATIVE COVER PLINTH (IF REQUIRED)

If the levelling feet have been adjusted so that the cooker has been raised higher and the feet are

visible, the decorative cover plinth can be attached to help conceal the feet as follows:

1. Release the screws (A) by a couple of turns using a hand screwdriver. Do not remove the screws completely.
2. Align the keyway slots in the cover plinth (B) with the screws (A) and hang the cover plinth on the screws.
3. Adjust the cover plinth to the required height position.
4. Tighten the screws hand-tight to hold the cover plinth in position. Do not use power tools.

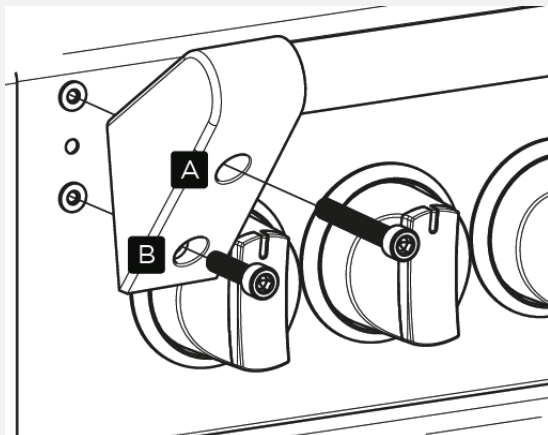


IMPORTANT

Please note, on 100cm and 110cm-wide models, it will be necessary to remove the bottom-right slow cook compartment door to access the screws. Please see the instructions above.

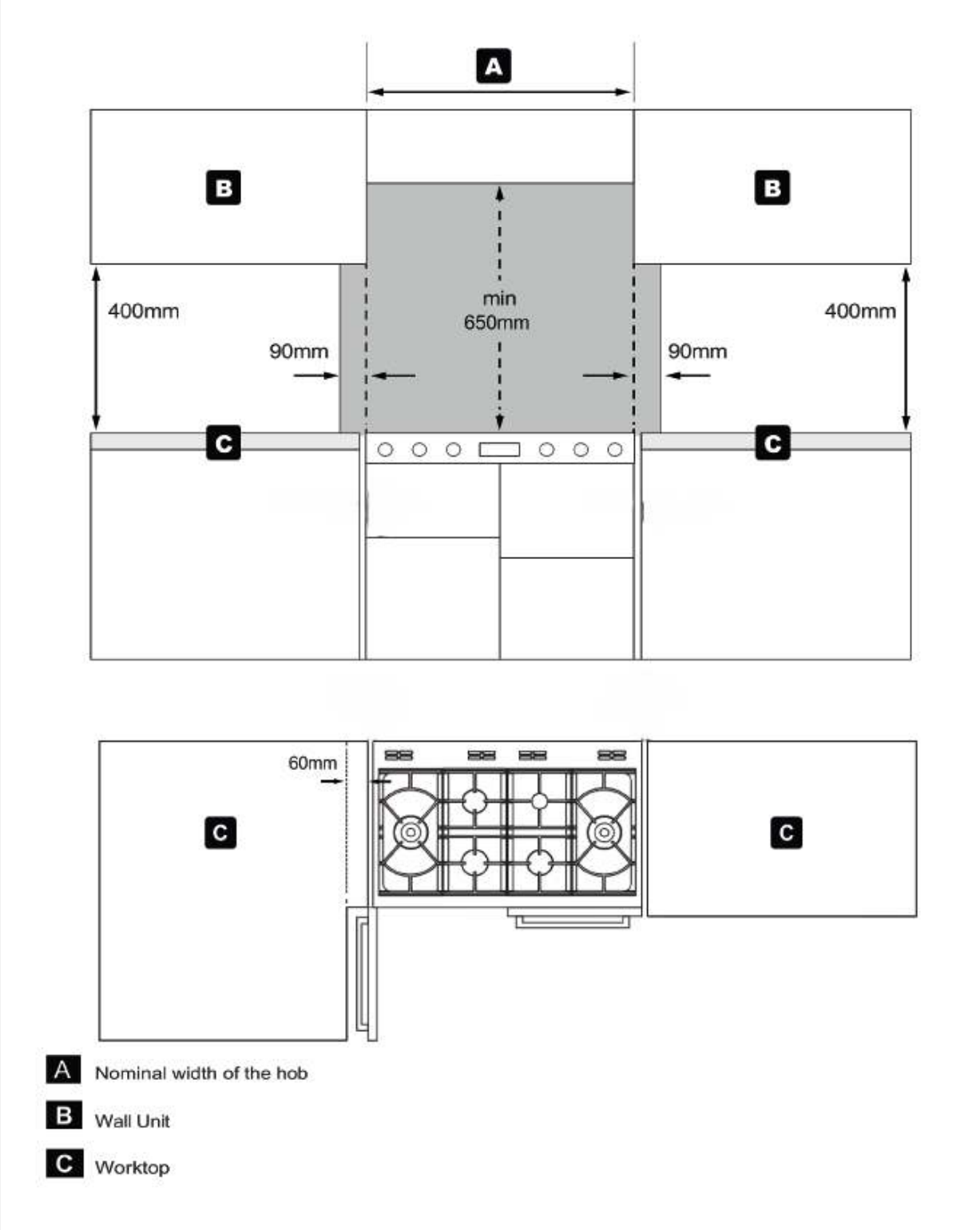
FITTING THE TOWEL RAIL (APPLICABLE TO 90CM, 100CM AND 110CM RICHMOND RANGE COOKERS)

1. Line up the two holes at each end of the towel rail with the two holes at each end of the fascia panel.
2. 4 x M6 screws and an allen key are provided with the cooker.
3. Insert the longer screws into the upper hole (A on the diagram), and the shorter screws into the lower hole (B on the diagram).
4. Using the allen key provided, tighten the screws, making sure that the towel rail is flush to the fascia, but not over-tightened.



DIMENSIONS & CLEARANCES

CUPBOARD/HOOD CLEARANCES



The hot-zone area is shown shaded in grey. This area must be kept free of combustible materials.

CUPBOARD/ HOOD CLEARANCES



WARNING

No shelf or overhang of combustible material, or cooker hood, may be lower than 650mm above the hob.

- **If your appliance has a side opening door, we recommend a side clearance of 60mm to allow the oven door to fully open, if the appliance is placed next to a wall or side cabinets at a right angle. This side clearance is not required if the appliance is installed in between a run of units.**
- **The area above and either side of the hob level must be kept clear of combustible materials for 90mm in the horizontal plane, up to a height of 400mm in the vertical plane.**
- **The cooker may be fitted flush to the adjacent kitchen base units.**

CONNECTING TO THE ELECTRICITY SUPPLY TERMINAL BLOCK



WARNING

This appliance must be earthed.

This appliance must be connected by a competent person, who is a member of a recognised 'Competent Persons Scheme' and who will comply with all EU and local regulations.

The maximum power is detailed in the technical data tables towards the back of this manual and on the rating label placed on the back of the appliance.

For all types of connection (three-phase or single-phase), leave in place the connecting bars situated on the neutral connecting terminals.

Then, fit the neutral and earth power cables to the corresponding connecting terminals. Firmly tighten the screws, but without forcing too much.

Single-phase: Concerning a single-phase connection, place both brass connecting bars between L1 + L2 + L3. Then, link the mains supply's phase live wire to the L2 connecting terminal.

Finally, tighten all the connecting terminals' screws without forcing too much (see diagram).

Multi-phase: Concerning a tri-phase connection, remove the brass connecting bars from the live terminals and connect respectively the 3 cables of the 3 phases to each of the corresponding terminals: L1 to L3.

Leave in place the neutral connecting bars.

The appliance must be fitted to a switch providing all pole disconnection with a minimum contact separation of 3mm.



NOTE

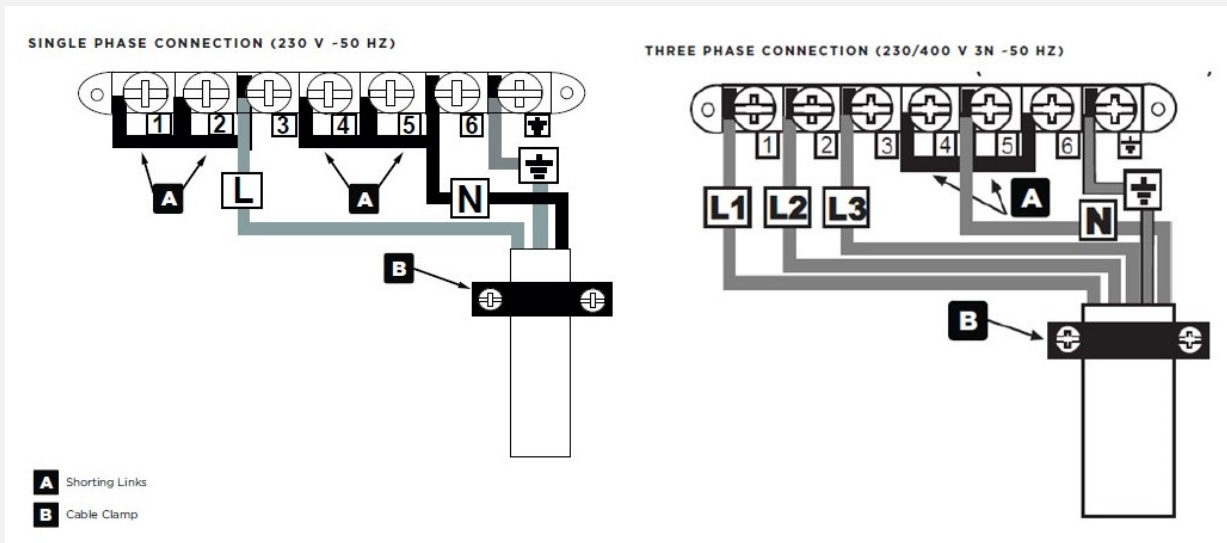
The terminal block screws and clamps can be damaged by excessive tightening and untightening.

DO NOT USE POWER TOOLS!

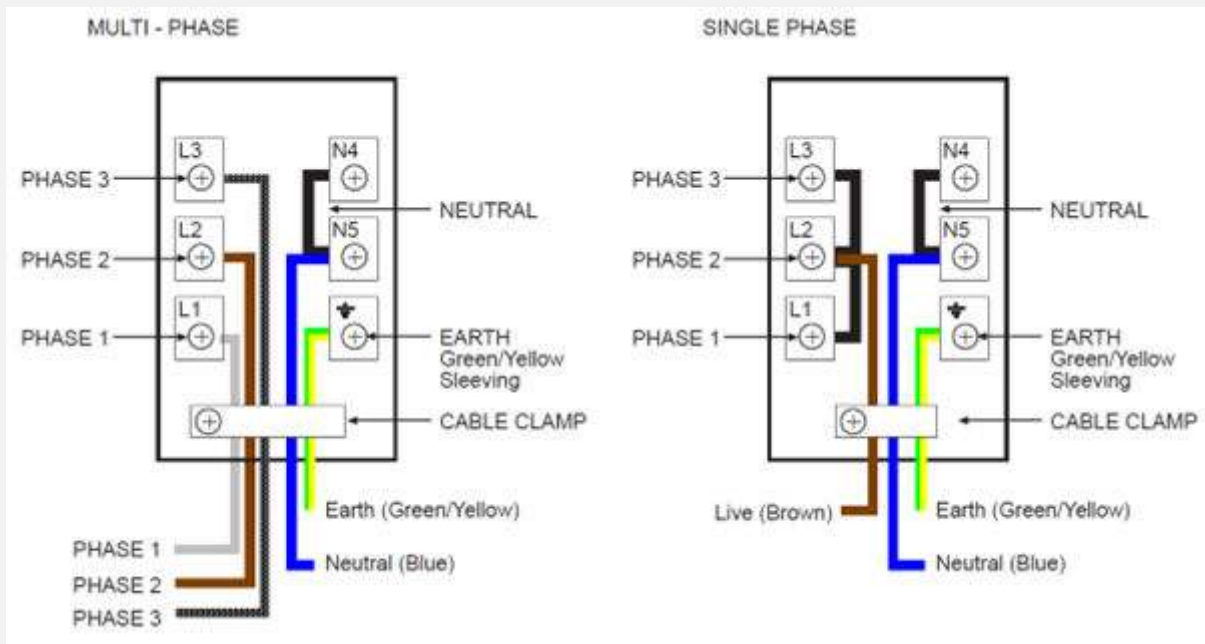


IMPORTANT

For installation purposes you will have one of the following terminal block connections. Please use the one that is fitted to your appliance for installation.



Connect cable L to terminal 3. Connect cable N to terminal 6. Earth to  terminal. Ensure shorting links are fitted between terminals 1-2, 2-3, 4-5 and 5-6.



- 1. Access to the mains terminal is gained by removing the terminal block cover at the rear of the appliance (if fitted).**
- 2. Connection should be made with a suitable flexible cable.**
- 3. First strip the wires then push the cable through the cable clamp.**
- 4. Connect the cable to the terminal block and tighten the cable clamp screws (see diagram).**
- 5. Refit the terminal box cover.**
- 6. Sufficient cable should be used to allow the cooker to be pulled out but must hang clear of the floor so it does not become**

twisted or trapped when the cooker is pushed back.

- 7. Please ensure that the user has a copy of the Quick Start Guide and the appliance is in place.**
- 8. The appliance will be fitted with the terminal block shown above; for multi-phase installations please remove the links from terminals L1, L2 and L3 only. Leave neutral links fitted to terminals N4 and N5.**
- 9. Close the terminal box, ensuring that the cover is engaged on the locking tabs.**

COMMISSIONING

CHECK OPERATION OF ELECTRICAL COMPONENTS

Clock Programmer/ Minute Minder

- **Check functions as described in the Quick Start Guide.**
- **Set the time of day on the timer.**

Oven Light & Convection Fan

- **Open the main oven door. Turn the main oven control knob to the defrost setting. Check the oven light and convection fan both come on. Turn control knob back to 'OFF' position.**

If you are satisfied that the cooker is operating correctly, turn it off and show the customer how to use it. Make sure you ask the customer to operate the clock (if fitted) and controls.



NOTE

If the cooker does not perform correctly, inform the customer of the problem and put a warning notice on the cooker. If the problem is dangerous, then disconnect the cooker. If there is a fault then the customer should be advised to contact the manufacturer's local service organisation or the retailer.

Before leaving the installation hand over the Quick Start Guide to the customer.

TECHNICAL DATA



WARNING

This cooker must be earthed.

Data badge	Lower part of the front frame, and on the back of the appliance.
Appliance class	Class 1 - freestanding cooker
Electrical supply	220 - 240V ~ 1N ~ 50 Hz or 380 - 415V ~ 3N ~ 50 Hz
Load	15165W (Induction Unit 7400W)
Standard Oven Light	25W

Hob Top Hotplate	Electrical Supply	Zone Load (W)
Electric	230V	Left hand front 1600W (3000W Boost)
		Left hand rear 1600W (3000W Boost)
		Right hand front 1150W (2200W Boost)
		Right hand rear 1400W (3000W Boost)
		Centre 2300W (3700W Boost)
		N/A

Appliance Electrical Supply	Oven Cavity & Function Load (W)
230V	Top-right oven: Air Fry function in digital multi-function oven 3166W
	Bottom-left fanned oven - single - 1880W
	Top-left Grill and Conventional Oven: Dual Grill function 2504W

ENERGY DATA TABLE

Regulation (EU) 66/2014:

Model Identification: Stoves Richmond 100/110cm Electric Induction	
Brand:	Stoves
Size:	100cm or 110cm

Energy Efficiency For Oven

Oven	Cavity 1	Cavity 2	Cavity 3 (if applicable)
Mass of the appliance (M): 102.0 kg for 100cm models 110.0 kg for 110cm models			
Number of cavities: 4			
Location:	Top-left	Top-right	Bottom-left
Type of oven:	Electric	Electric	Electric
Heat source per cavity:	Electricity	Electricity	Electricity
Volume per cavity (V):	33 Litres	60 Litres	61 Litres
Energy consumption (electricity consumed) per cycle in conventional mode ($EC_{\text{electric cavity}}$):	0,63 kWh	0,83 kWh	N/A
Energy consumption (electricity consumed) per cycle in fan-forced convection mode ($EC_{\text{electric cavity}}$):	N/A	0,74 kWh	0,74 kWh
Energy efficiency index per cavity (EEl_{cavity}):	91,3	92,4	91,4
Energy efficiency class:	A	A	A

Energy Efficiency For Hob

Hob	
Type of hob:	Electric
Number of cooking zones and/or areas:	5
Heating technology:	Induction cooking zones

Electric Zone:	Location:	Useful surface area per electric heated cooking zone:	Energy consumption per cooking zone or area ($EC_{\text{electric cooking}}$):
Zone 1	Front-left	21.5 cm diameter	192.7 Wh/kg
Zone 2	Back-left	21.5 cm diameter	186.4Wh/kg

Zone 3	Front-left and back-left combined	39.0 cm L x 21.0 cm W	200 Wh/kg
Zone 4	Centre	23.0 cm diameter	188.9 Wh/kg
Zone 5	Back-right	20.0 cm diameter	180 Wh/kg
Zone 6	Front-right	16.5 cm	194 Wh/kg

Energy consumption for the hob (EC_{electric hob}):	190.3 Wh/kg
--------------------------------------------------------------------	--------------------

Energy consumption measured in accordance with EN 60350-1 and EN 60350-2

This document relates to these models:

Model Number:	Model Description:	Model Number:	Model Description:
444411858	ST RCA RICH 100Ei TCH ANT	444412022	ST DX RCA RICH 100Ei RTY IWH
444411859	ST RCA RICH 100Ei TCH BLK	444412023	ST DX RCA RICH 100Ei RTY TWB
444411860	ST RCA RICH 100Ei TCH CRM	444412024	ST DX RCA RICH 100Ei RTY MBL
444411864	ST RCA RICH 110Ei TCH ANT	444412025	ST DX RCA RICH 100Ei RTY DMA
444411865	ST RCA RICH 110Ei TCH BLK	444412026	ST DX RCA RICH 100Ei RTY GAR
444411866	ST RCA RICH 110Ei TCH CRM	444412033	ST DX RCA RICH 110Ei RTY AGR
444411873	ST DX RCA RICH 100Ei RTY BLK	444412034	ST DX RCA RICH 110Ei RTY IWH
444411874	ST DX RCA RICH 100Ei RTY CRM	444412035	ST DX RCA RICH 110Ei RTY TWB
444411878	ST DX RCA RICH 110Ei RTY BLK	444412036	ST DX RCA RICH 110Ei RTY MBL
444411879	ST DX RCA RICH 110Ei RTY CRM	444412037	ST DX RCA RICH 110Ei RTY DMA
444412021	ST DX RCA RICH 100Ei RTY AGR	444412038	ST DX RCA RICH 110Ei RTY GAR

**Glen Dimplex Home Appliances, Element, Temple Court, Risley,
Warrington, WA3 6GD.**

0344 815 3740

www.stoves.co.uk

GDHA Part Number: 094126503

40400400697

