



# USB-C Laptop Stand with 4K Multitask Docking Station User Manual



04-1399A

P/N: CE-MTDK21-S1

## Table of Contents

• Features	3
• Package contents	4
• System requirements	4
• What is USB 3.1 Type-C?	5
• DP alt mode (DisplayPort alternative mode)	6
• USB Power Delivery	6
• Layout	7
• Application	8
• Stand manual	9
• Q & A	11
• Support	12

## Features

- Support USB-A 5Gbps speed port x2,
- Support HDMI video output via DP Alt mode.  
DP 1.2 host support 4K@30Hz  
DP 1.4 host support 4K@60Hz
- Support Ethernet 10/100/1000Mbps
- Support SD & micro SD 3.0 (UHS-I) card reader. can use simultaneously.
- Support USB PD 3.0 charging  
Input: 100W (max), charging 90W (max)  
(10W for the docking use)
- Compatible with Thunderbolt3 and Type-C host
- Fits under 14" Laptops or Tablet

## Package contents

- USB-C Laptop Stand with 4K Multitask Docking Station
- USB Type-C to Type-C cable
- User Manual

## System requirements

- Host Laptop or Tablet with an available USB Type-C (Thunderbolt 3 compatible) Port which supports DP Alt Mode and Power Delivery
- Support Windows / Mac / Chrome / Android

## What is USB 3.1 Type-C?

- USB 3.1 Type-C is a new generation connector interface of USB 3.1 standard, that is capable to support for the following:
- USB 3.1 Gen 1 support up to 5 Gbps data transfer rate and USB 3.1 Gen 2 support up to 10 Gbps data transfer rate
- Bi-directional power delivery up to 100W, if both the USB host connection and the device support it
- DP Alternate modes, the signal is based on the DisplayPort version to deliver different speeds.

Not all USB-C ports support the full functionality of the USB Type-C standard. For more information, please refer to the information provided by the manufacturers.

## **DP alt mode** (DisplayPort alternative mode)

This docking station supports DP alt mode, which means a DisplayPort video signal can be transferred over a USB-C cable.

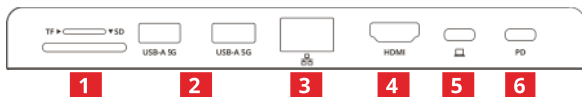
Because the docking station supports DP alt mode, so the Alt mode video port can output the video directly via DP alt mode without other driver installs.

## **USB Power Delivery**

This docking station supports USB Power Delivery, which means it delivers up to 100 watts of power to your connected host laptop (your laptop's USB-C port must support power delivery). USB Power Delivery is a specification that allows power to be sent over a USB-C or Thunderbolt 3 cable that supports the specification.

Ensure your USB-C cable can support PD 100W transfer or use the included USB-C cable.

## Layout



1. **SD & TF 3.0 (UHS-I) card reader**  
(can use simultaneously)
2. **USB-A 5Gbps port:**  
Support USB UASP mode  
5V/900mA power output.  
connect for USB peripherals
3. **RJ-45 Gigabit Ethernet port**  
Connect to ethernet router or switch  
(Support 1000/100/10 Mbps)
4. **HDMI output**  
This video output via host DP Alt mode  
Connect to HDMI display  
DP 1.2 host support 4K@30Hz (max)  
DP 1.4 host support 4K@60Hz (max)

## 5. USB-C host:

Connect to USB-C port which supports DP Alt Mode and Power Delivery.

PD charging 90W

(Please use include USB C to C cable)

Not all USB-C ports support the full functionality of the USB Type-C standard.

Ensure that your host USB-C port supports all functions

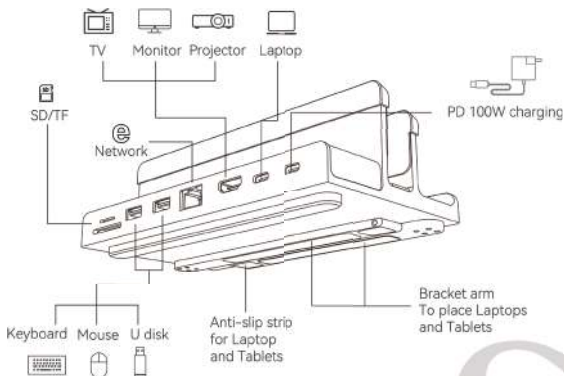
## 6. PD charging input:

Connect to your PD charger

Input: 100W (max), charging 90W (max)

(10W for the docking use)

## Application



# Stand manual



1. Take out the product



2. Reverse to the bottom of the product



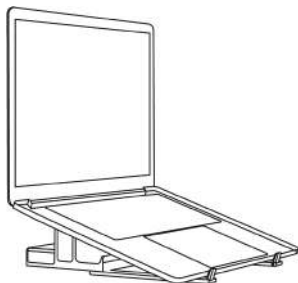
3. Unfold the bracket arm: Rotate the bracket arm from inside to outside to 90°. In proper order: 1 to 2



4. After unfolding the bracket, flip the anti-skid opening on the stand arm to 105°, and it can be used as a laptop or iPad cradles & stands.



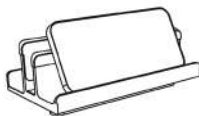
5. Storage the bracket: Rotate the bracket arm to 90° from the outside to the inside. In proper order: 2 to 1



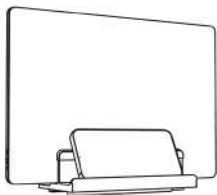
1. As a cradles & stands for Laptop and iPad



2. As a cradles & stands for Laptop and iPad



3. As a cradles & stands for mobile phone



4. Can store laptops ( with in 20mm ), mobile phones, iPads

**It is recommended to use  
Laptops or Tablet under 14"**

## Q & A

- **Why can't my laptop do 90W charging?**

Your laptop must support 90W charging.

Not all laptops support or require 90W for charging.

Or, your Type-C cable does not support E-Mark to support charge over 60W

- **Why am I using a 100W PD charger but only getting 90W charging?**

Product will support PD charging up to 90W for host device and will take remaining 10W for product devices.

- **Why does the HDMI output produce no signal?**

Ensure your USB-C host port support DP Alt mode.

**Dear Valued Customer**

**WE REALLY  
APPRECIATE  
YOUR PURCHASE**

***~thank you~***

**Support**

For more info or tech support  
**<http://www.siig.com/support>**