



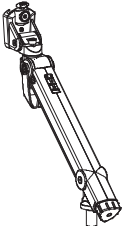


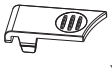
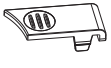




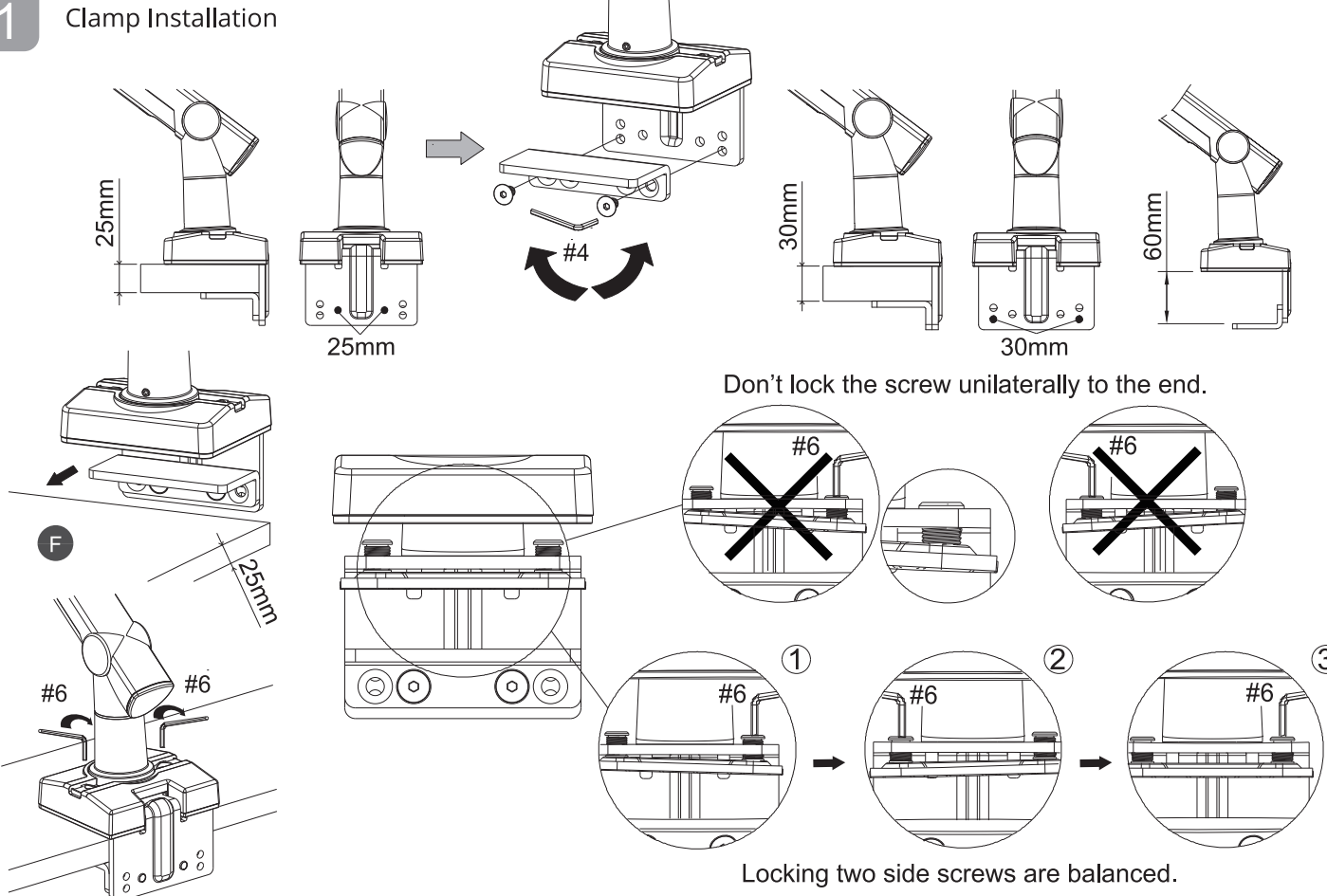
Heavy Duty Desk Mount Single Monitor Arm - Up to 49"

P/N: CE-MT3V11-S1

04-1418A

Parts	A  x1	B  M5X30 x1	C  x1	D  #3 #4 #6 x1	E  x1	F  x1
	H  M4X10 x4	I  x1	J  x1			

1 Clamp Installation



25mm

25mm

30mm

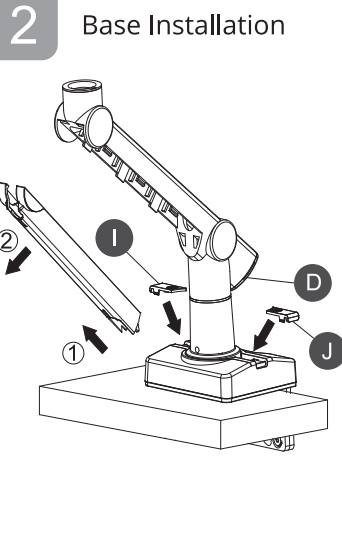
30mm

60mm

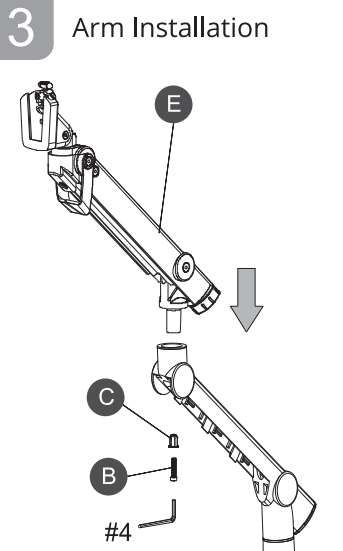
Don't lock the screw unilaterally to the end.

Locking two side screws are balanced.

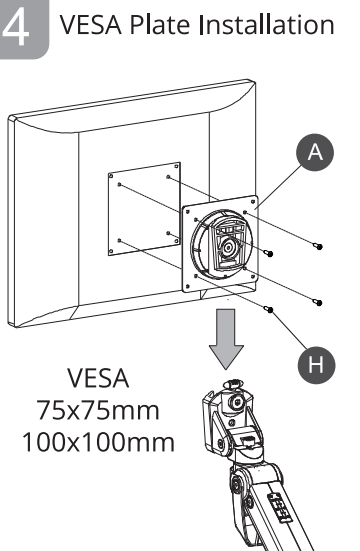
2 Base Installation



3 Arm Installation



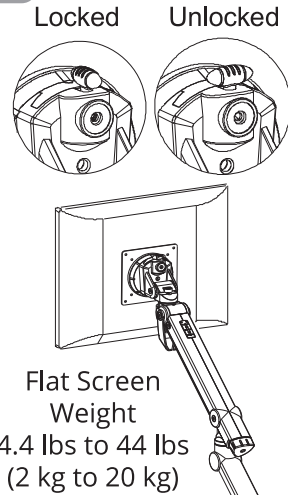
4 VESA Plate Installation



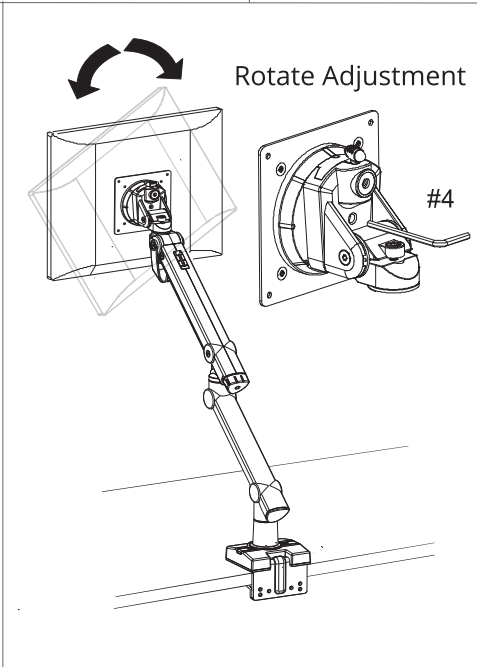
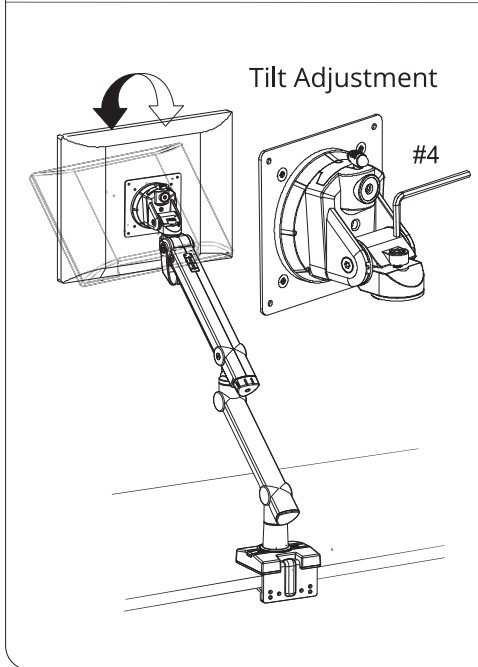
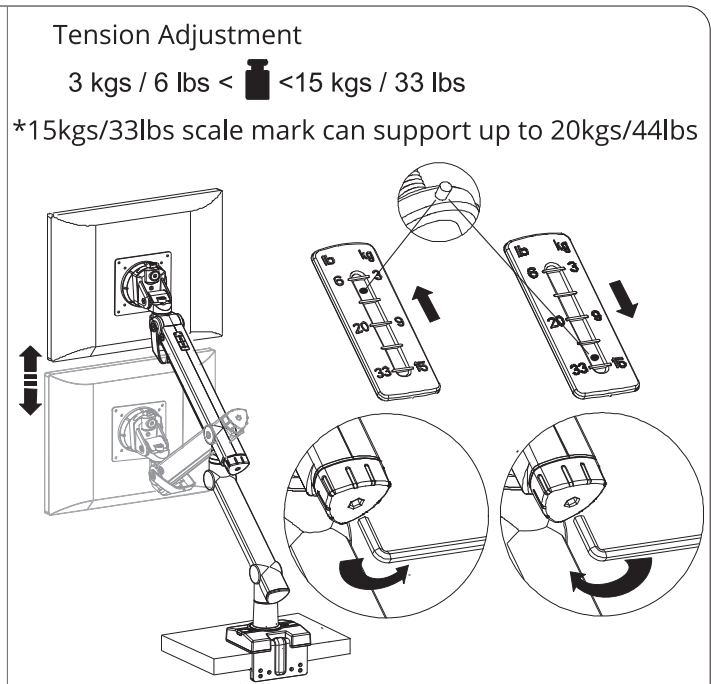
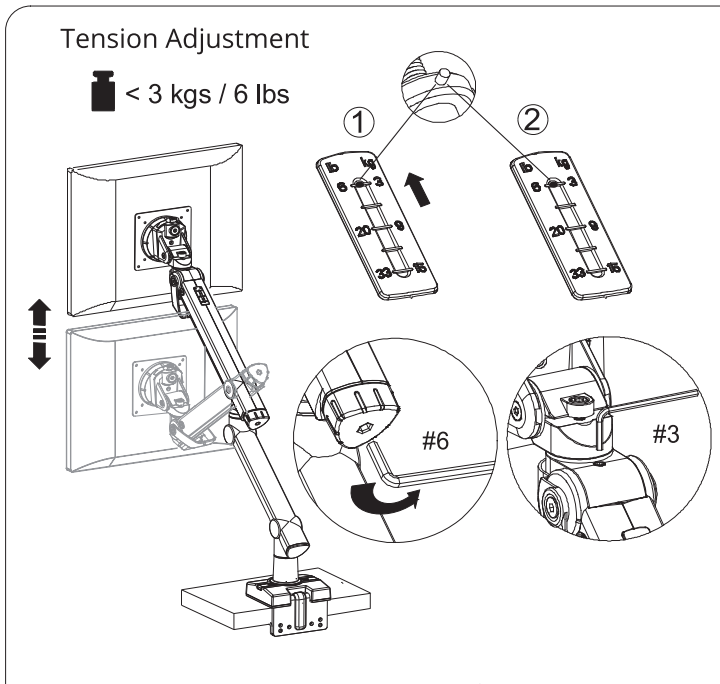
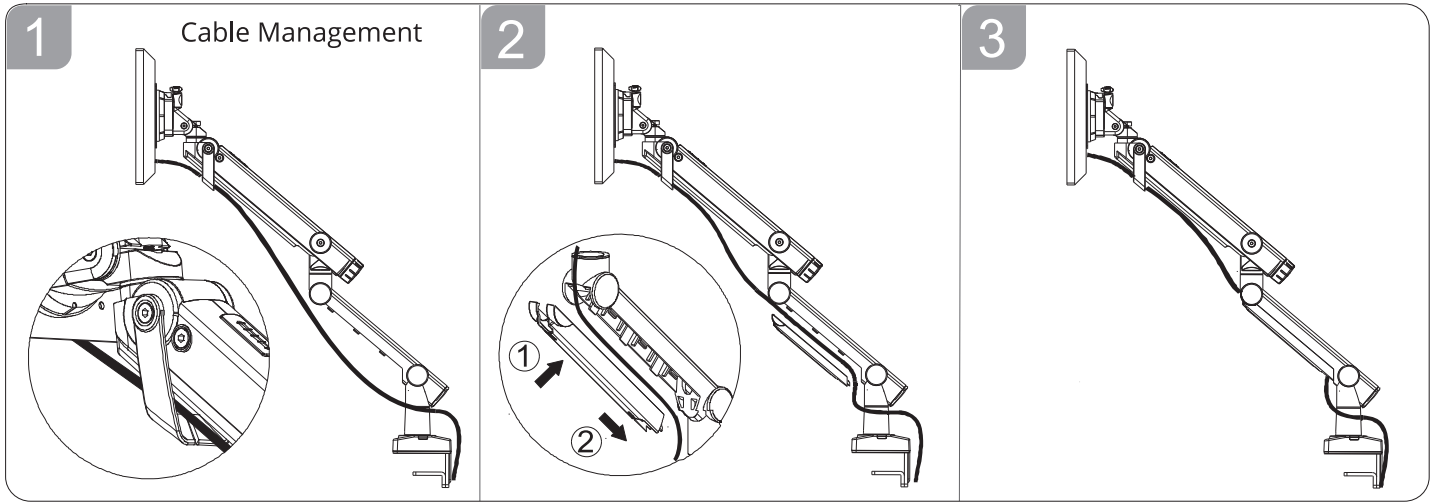
VESA
75x75mm
100x100mm

5

Locked Unlocked



Flat Screen
Weight
4.4 lbs to 44 lbs
(2 kg to 20 kg)



THREE YEAR
Manufacturer
Warranty

Support

For more info or tech support
<http://www.siig.com/support>