

Read the entire instruction manual before you start installation and assembly. If you have any question regarding any of the instructions or warnings, please contact us.

Unpacking

- Carefully remove the contents and lay them out on cardboard or other protective surface
- Check package contents against the parts list to ensure that all components are received undamaged. Do not use damaged or defective parts
- Ensure that you have received all parts according to the component checklist prior to installation. If any parts are missing or faulty, please contact us.

CAUTION:

Use with products heavier than the rated weights indicate may result in instability causing possible injury.

- Mount must be attached as specified in assembly instructions. Improper installation may result in damage or serious personal injury.
- Safety gear and proper tools must be used. This product should only be installed by professionals.
- This product is designed to be installed on wood stud walls, solid concrete walls or brick walls.
- Make sure that the supporting surface will safely support the combined weight of the equipment and all attached hardware and components.
- Use the mounting screws provided and DO NOT OVER TIGHTEN mounting screws
- This product contains small items that could be a choking hazard if swallowed. Keep these items away from children.
- This product is intended for indoor use only. Using this product outdoors could lead to product failure and personal injury.

MAINTENANCE

Check that the bracket is secure and safe to use at regular intervals (at least every three months)

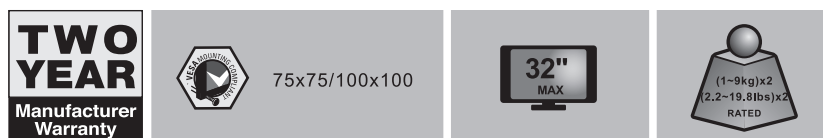
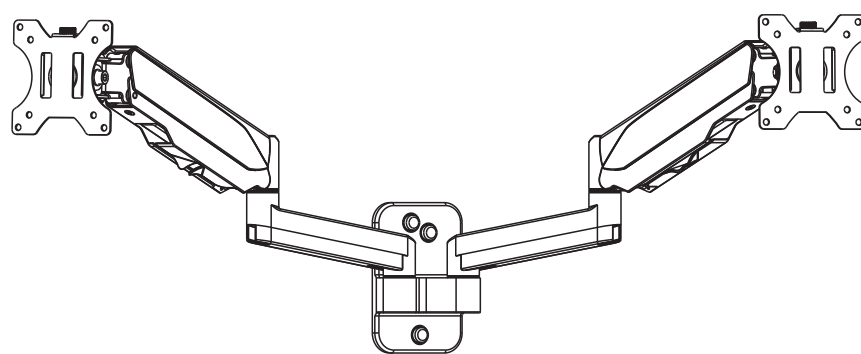
Support

For more info or tech support <http://www.siig.com/support>

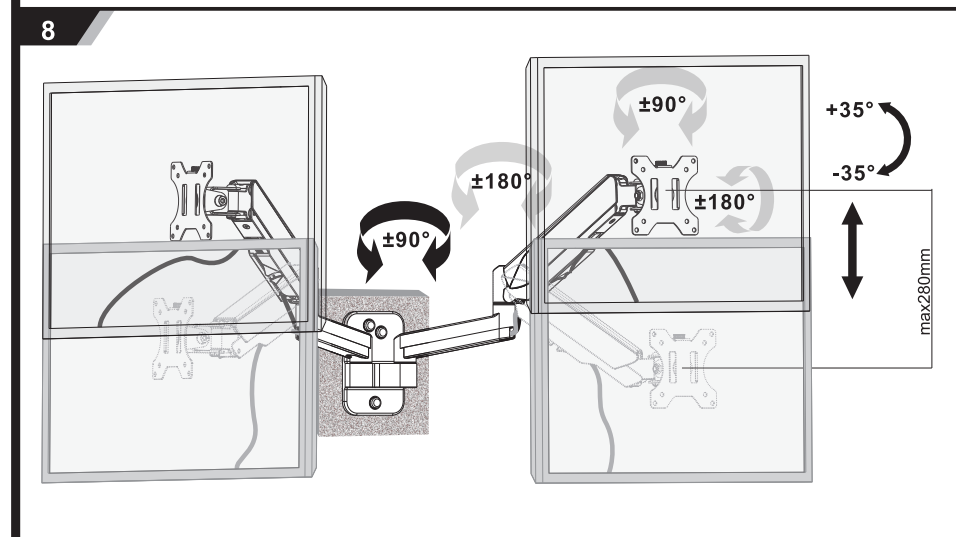
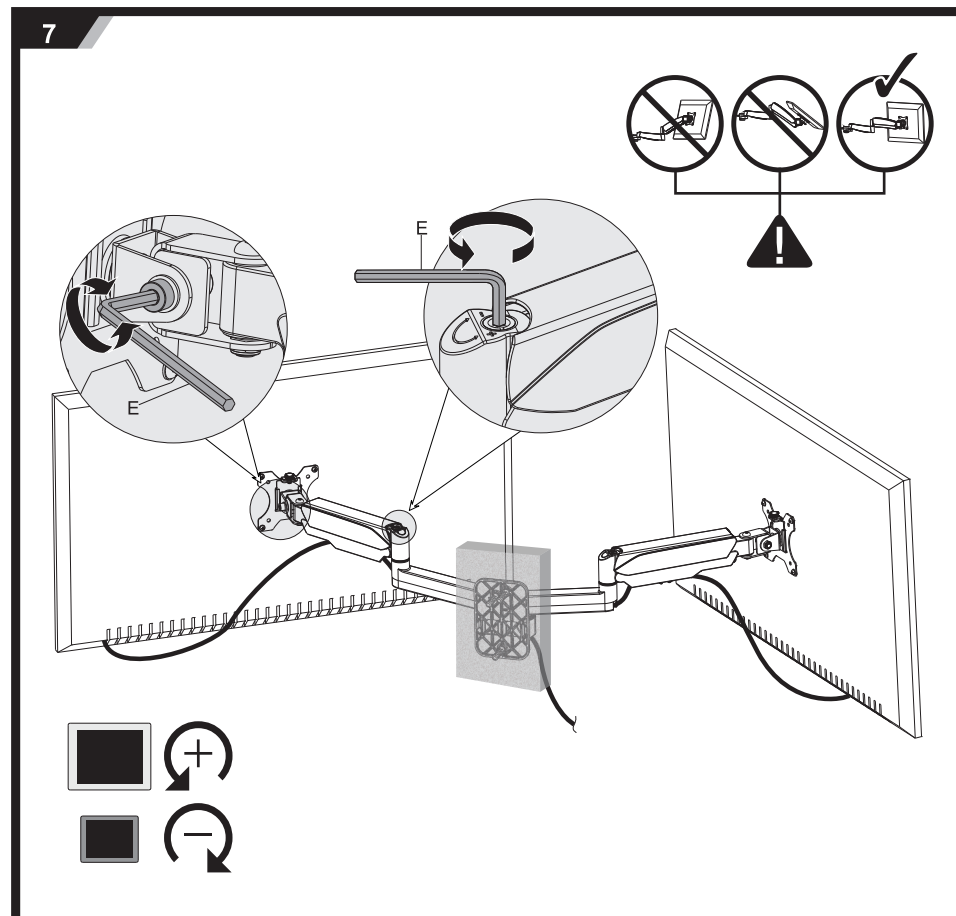
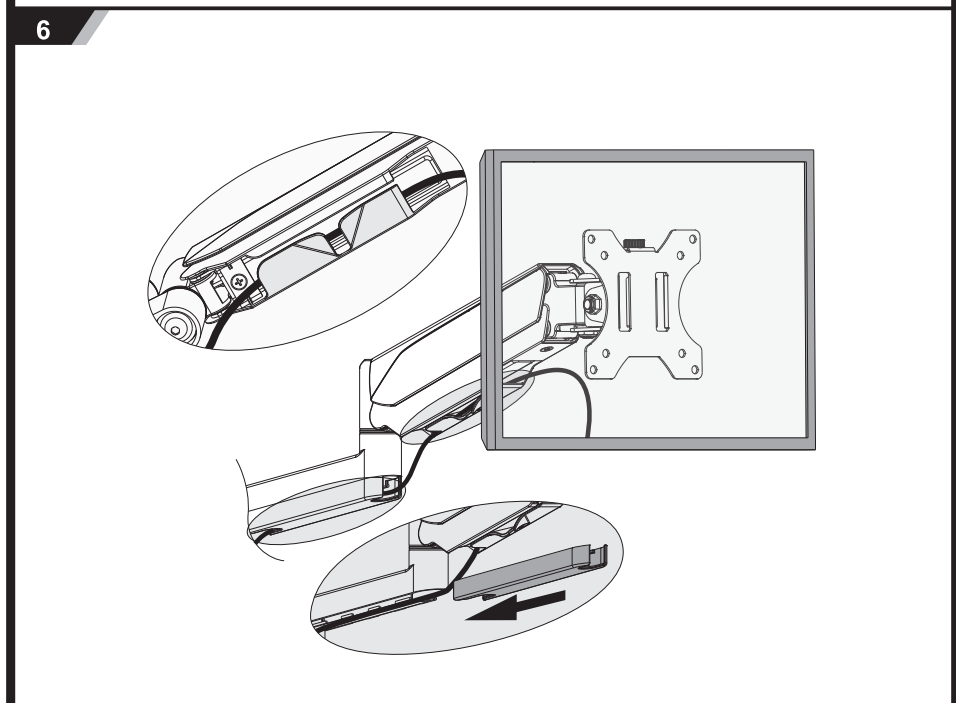
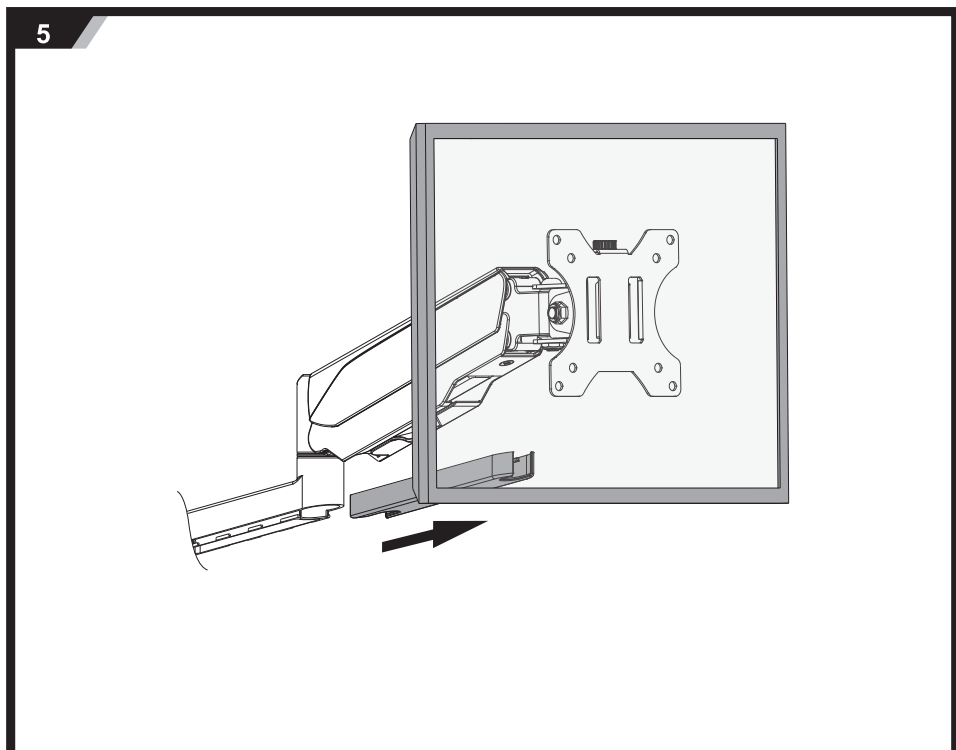


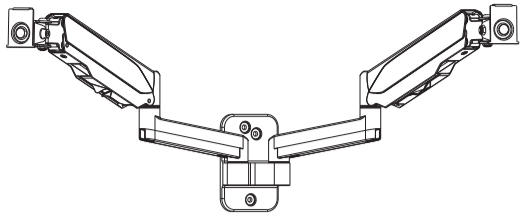
High Premium Aluminum Gas Spring Wall Mount Dual Monitor

Installation Guide



P/N: CE-MT2M12-S1
04-1134B





A (x1)



B (x2)



C (x2)



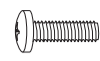
D (x3)



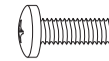
6mm (x1)
E



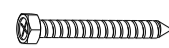
M4x12 (x4)
M-A



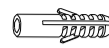
M4x16 (x4)
M-B



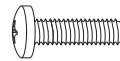
M5x12 (x4)
M-C



W-A (x3)



W-B (x3)



M5x16 (x4)
M-D



D5 (x4)
M-E



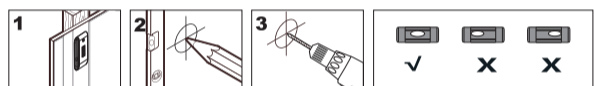
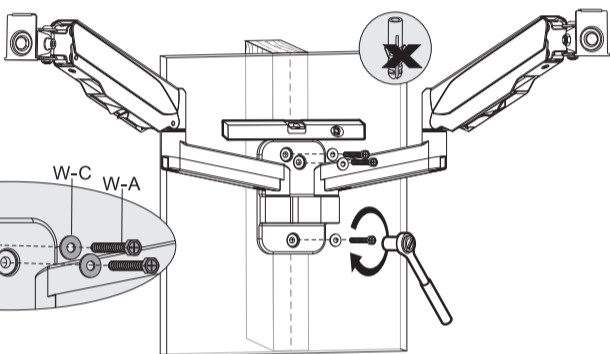
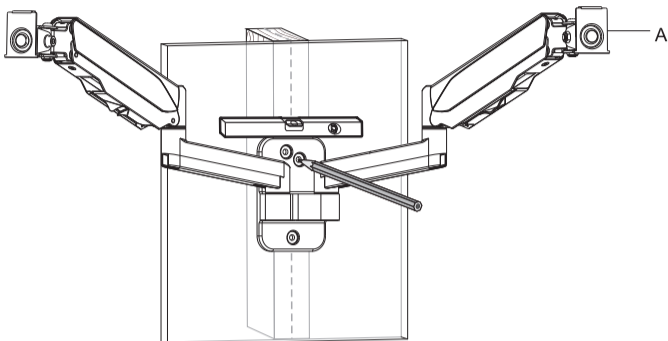
M-F (x4)



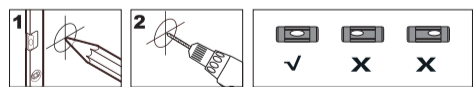
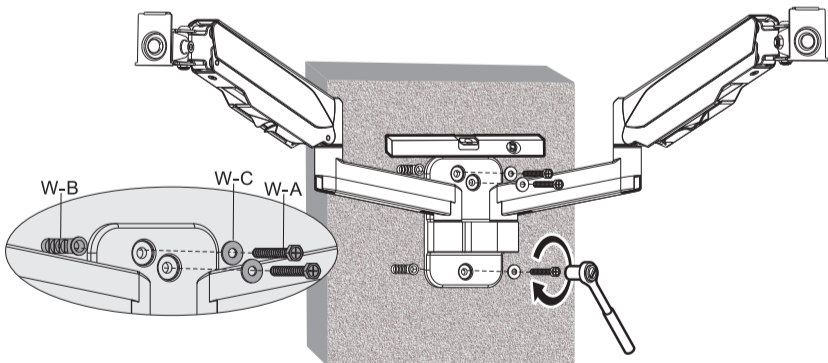
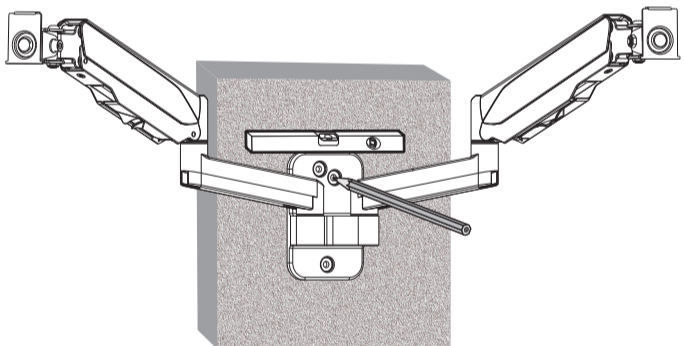
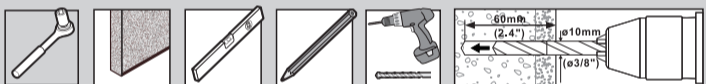
W-C (x3)

x2

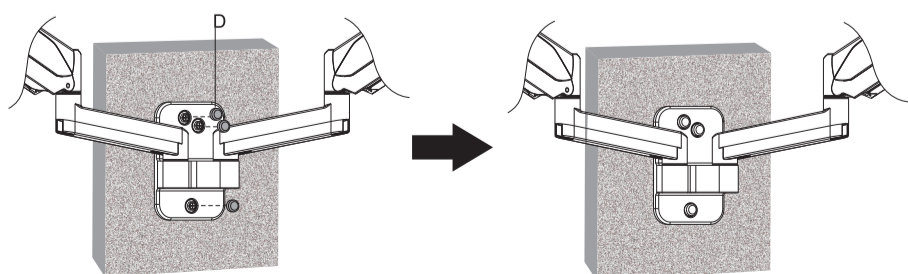
1a



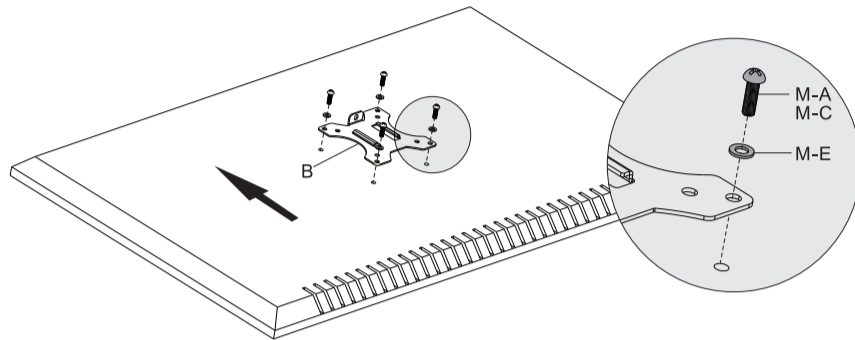
1b



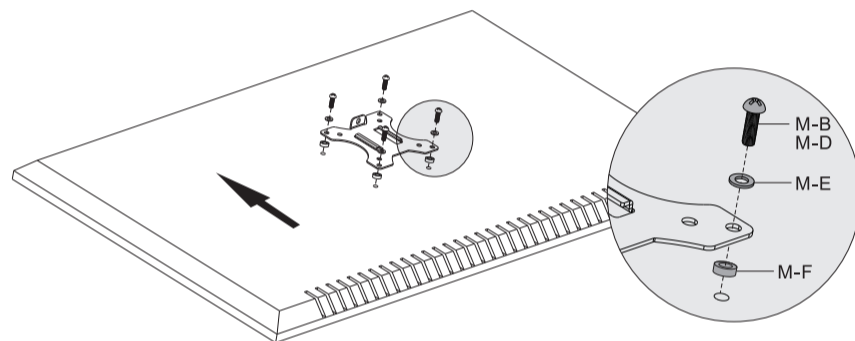
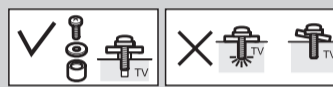
2



3a



3b



4

