



EN ■ Versatile Cordless Vacuum Cleaner 4 in 1

Translation of the original manual

EN **Versatile Cordless Vacuum Cleaner 4 in 1**

Important safety instructions

READ CAREFULLY AND STORE FOR FUTURE USE.

- This vacuum cleaner may be used by children 8 years of age and older and by persons with physical, sensory, or mental impairments or by inexperienced persons, if they are properly supervised or have been informed about how to use this vacuum cleaner in a safe manner and understand the potential dangers.
- Children must not play with the vacuum cleaner. Cleaning and maintenance performed by the user must not be performed by unsupervised children.
- If the power adapter is damaged, it must be replaced with an original type. For a replacement power adapter, please contact an authorised service centre. It is forbidden to use the appliance if it has a damaged power adapter.



WARNING:

Avoid coming into contact with the rotating parts of the vacuum cleaner's hand accessories. There is a risk of getting caught on these parts and possible injury.

Only use the vacuum cleaner with the original power adapter, charging base and accessories that were supplied with it.

This vacuum cleaner is designed for use in households, offices and similar types of areas. Do not use in industrial surroundings. Do not expose the vacuum cleaner to direct sunlight and do not place it near an open fire or appliances that are a source of heat. Before connecting the adapter to a power socket, check that the technical details on its rating label match the electrical voltage in the power socket. Make sure the adapter power cord is not touching a hot surface or sharp objects. Position the adapter power cord so that it will not be tripped over. Never submerge the vacuum cleaner, the charging base and the power adapter in water or any other liquid and do not wash under running water. Before turning on the vacuum cleaner, make sure that all the inflow and outflow filters are installed in their place.

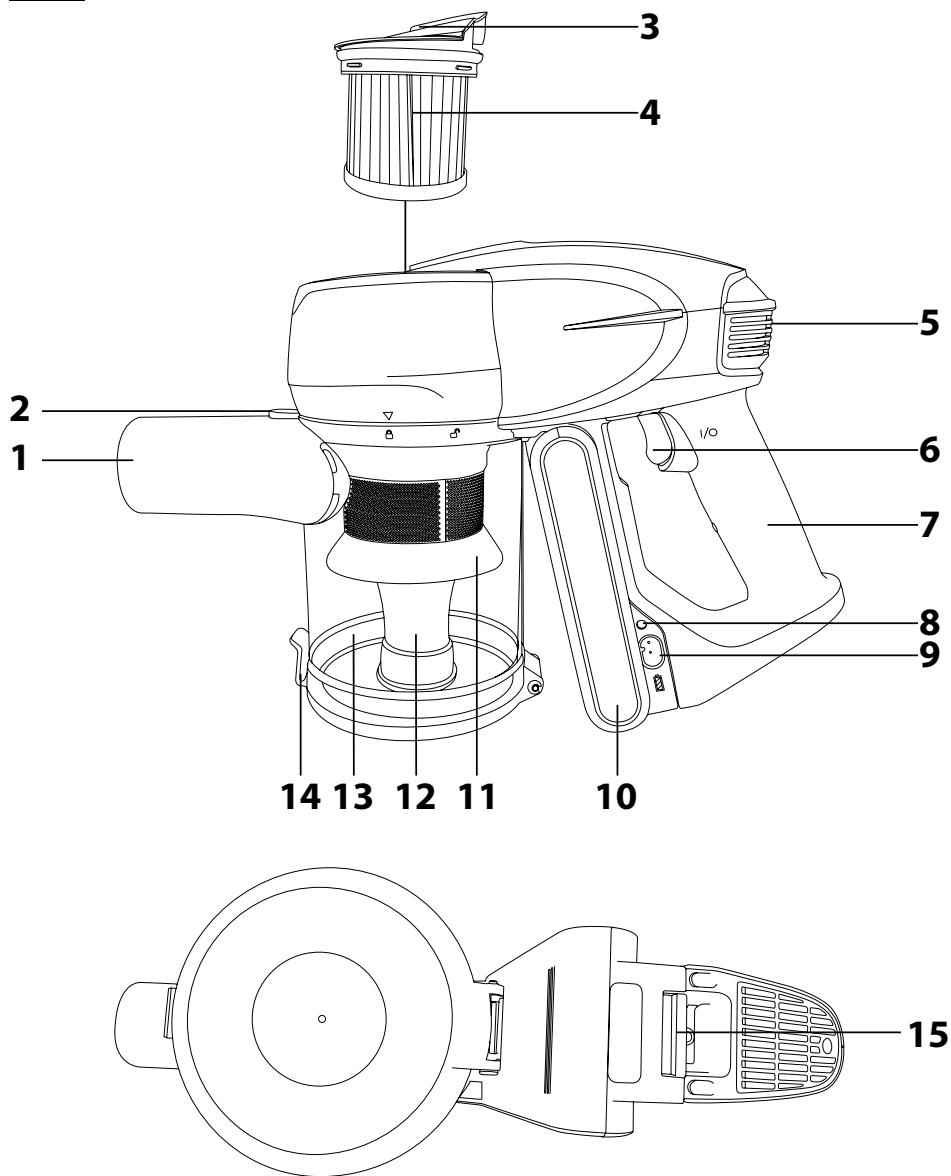
When the vacuum cleaner is running, ensure that the air outlets and the suction hole are not blocked.

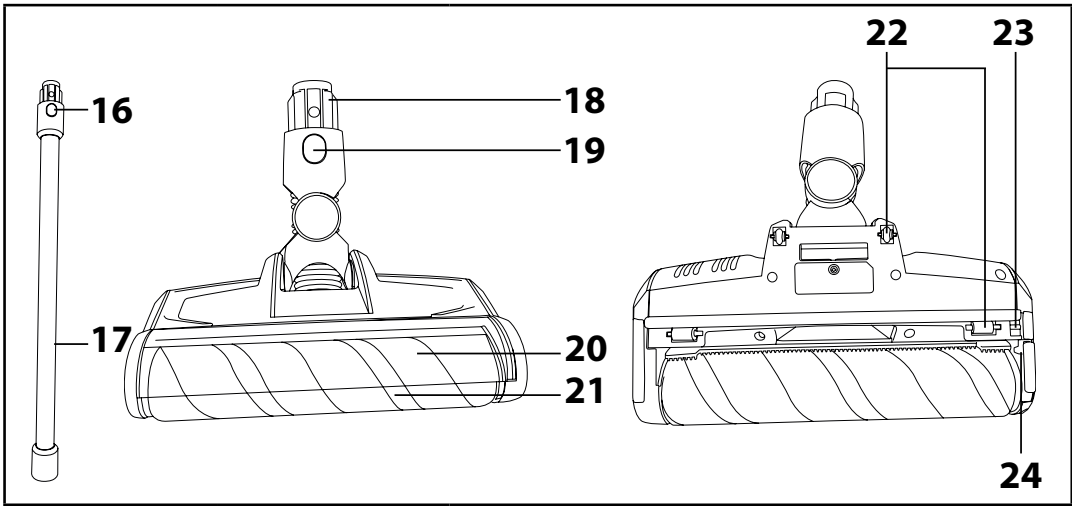
Do not use the vacuum cleaner to vacuum the following items:

- smouldering cigarettes, burning items, matches or embers;
- water and other liquids;

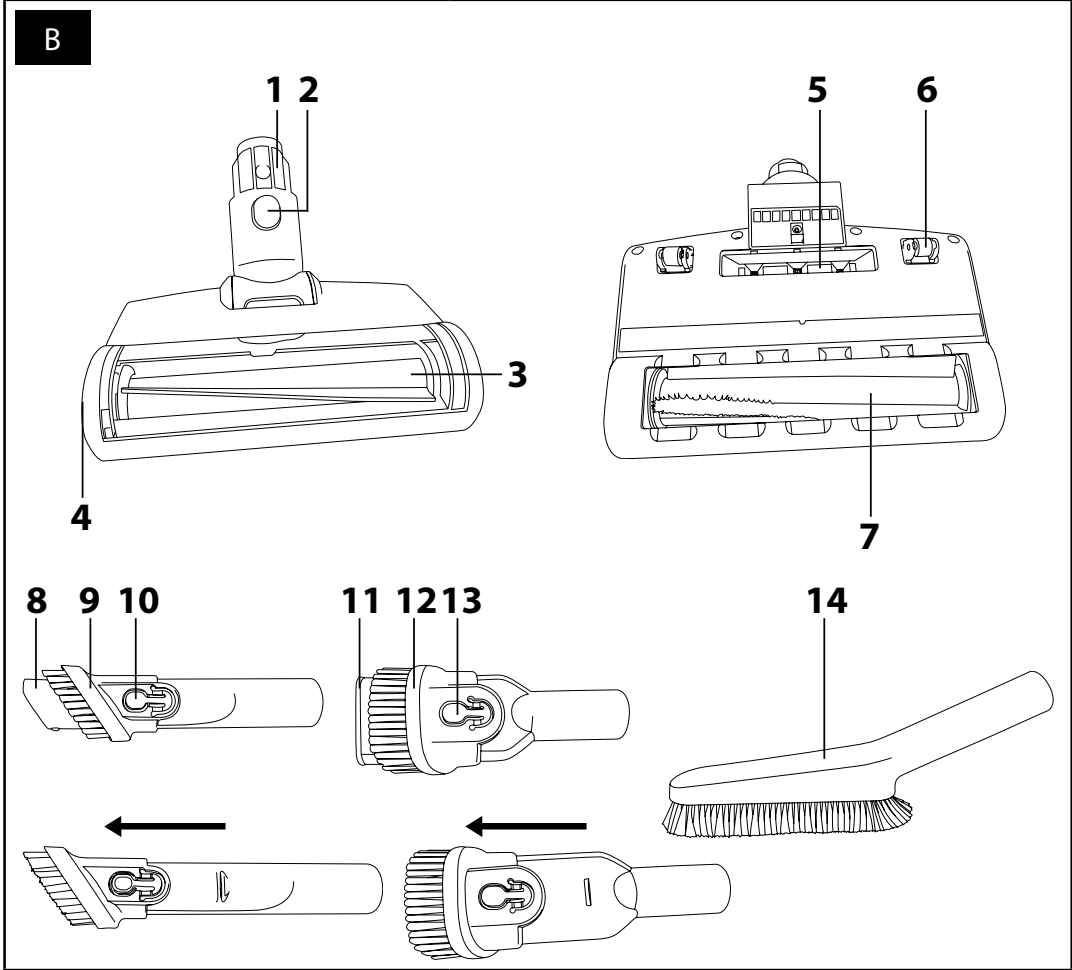
- flammable or volatile materials;
- items, e.g. broken glass, needles, pins, etc.;
- flour, wall plaster, cement and other building materials;
- larger pieces of paper or plastic bags, which can easily block the suction hole.
- Vacuuming of some types of floors or floor surfaces can create an electrostatic discharge, which presents no danger to the user.
- Always turn off the vacuum cleaner when leaving it without supervision, after finishing using it and before cleaning it.
- Disconnect the power adapter from the power socket before cleaning it and after it has finished charging.
- Disconnect the power adapter from the power socket by pulling on the plug, never pull on the power cord. Otherwise, this could damage the power adapter or the socket.
- If the power adapter is damaged, it must be replaced with an original type. For a replacement power adapter, please contact an authorised service centre.
- Do not use the vacuum cleaner if it is not working correctly if it has been damaged or has been submerged in water.
- Do not repair the vacuum cleaner yourself or make any adjustments to it. Have all repairs performed at an authorised service centre. By tampering with the appliance, you risk voiding your legal rights arising from unsatisfactory performance or quality warranty.

A

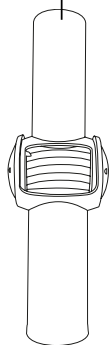




B



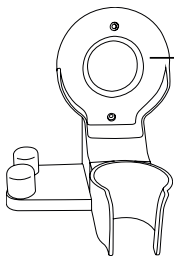
15



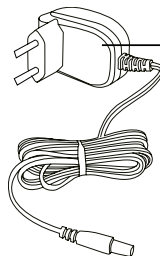
16



17



18

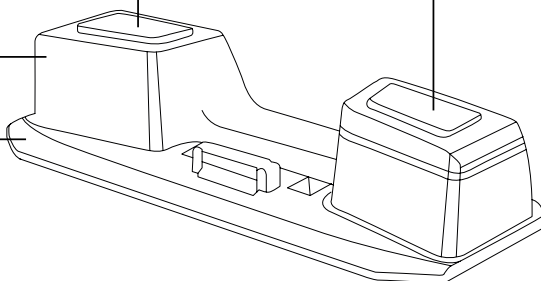


21

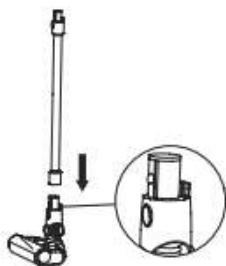
22

20

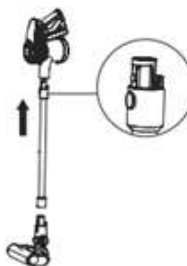
19



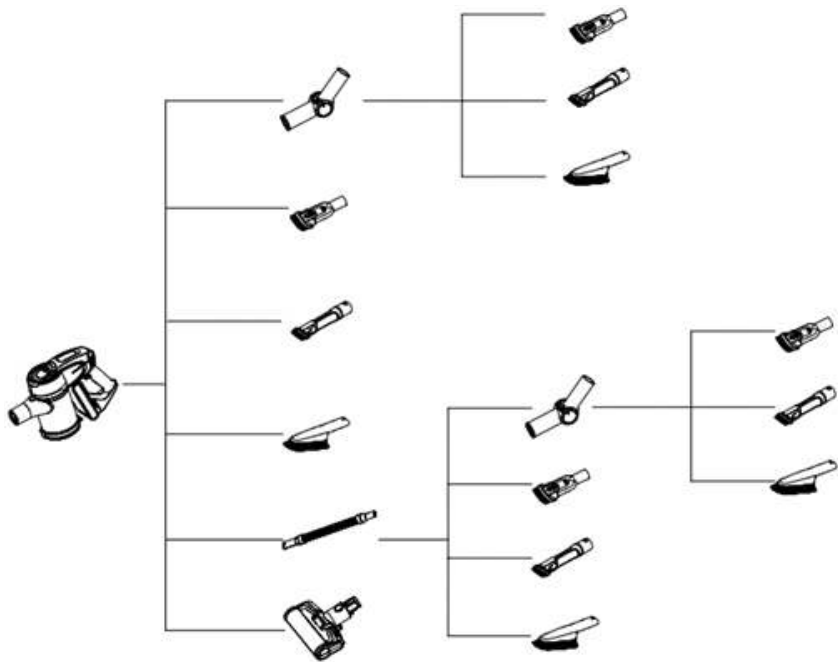
C1



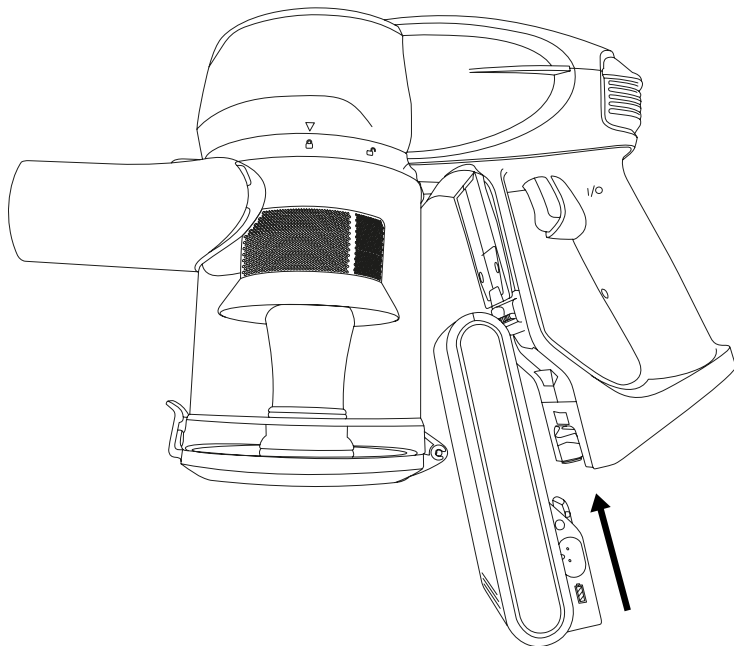
C2



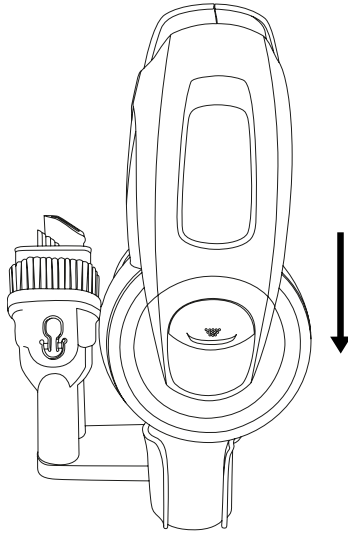
D



E



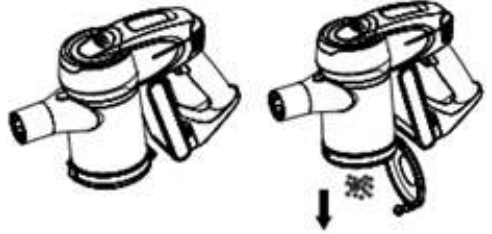
F



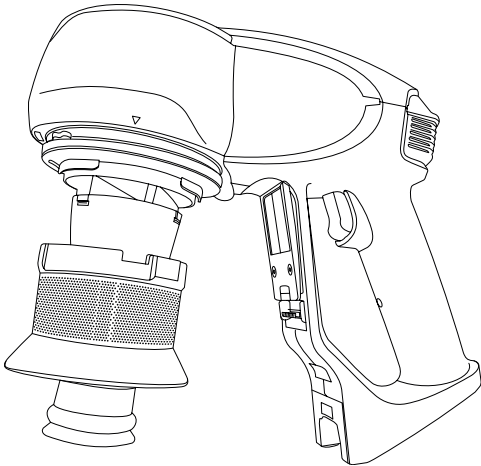
G1



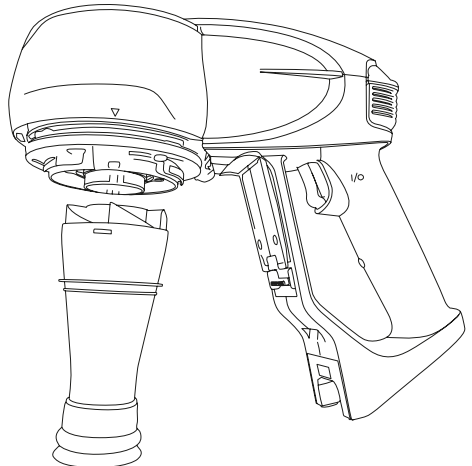
G2



G3



G4



G5



G6



G7



G8



EN Versatile Cordless Vacuum Cleaner 4 in 1

User's manual

DESCRIPTION OF THE VACUUM CLEANER

DESCRIPTION OF THE MOTOR UNIT

A1 Output hole of the motor unit	A14 Release button of the dust container bottom for quick removal of dirt
A2 Dust container release button	A15 Battery release button
A3 Inflow filter cover	A16 Lock to release the motor unit
A4 Inflow filter	A17 Metal tube
A5 Speed button	A18 Floor nozzle
A6 On / Off button	A19 Lock to release the floor nozzle
A7 Handle	A20 Protective cover
A8 Charging battery light	A21 Electric rotary brush
A9 Power adapter socket	A22 Castors
A10 Rechargeable battery	A23 Lock
A11 Outer filter	A24 Side cover to remove the rotary brush
A12 Tube filter	
A13 Transparent dust container	

DESCRIPTION OF THE ACCESSORIES

B1 Cat&Dog motorised mini brush	upholstery and furniture	B12 Attachment brush
B2 Lock to release the mini brush		B13 Button to slide out / back the brush
B3 Protective cover		B14 Soft brush
B4 Rotary brush lock		B15 Articulated connector
B5 UV-C light		B16 Flexible hose
B6 Castors		B17 Holder
B7 Rotary brush		B18 Power adapter
B8 Combined crevice nozzle		B19 Wiping attachment
B9 Crevice nozzle brush		B20 Water tank
B10 Button to slide out / back the brush		B21 Tank lid
B11 Combined attachment for		B22 Water control button

Not shown

Wall plug	Removable Velcro zip sleeve (6 pcs)
Screws	

ASSEMBLY AND DISASSEMBLY OF THE VACUUM CLEANER

1. ASSEMBLY AND DISASSEMBLY OF THE STICK VACUUM CLEANER

Place the floor nozzle **A18** on a flat, dry and stable surface. Attach the tube **A17** to the floor nozzle so that the connectors at the back of the floor nozzle **A18** are aligned with the holes inside the tube **A17** – see picture **C1**. Push the tube **A17** until it clicks.

Insert the output hole **A1** of the motor unit into the tube **A17** so that the connectors at the back of the tube **A17** are aligned with the holes inside the outlet hole **A1** – see picture **C2**.

When you need to disassemble the stick vacuum cleaner, press the lock **A16** to release the motor unit. Then press the lock **A19** to release the floor nozzle **A18**.

2. ASSEMBLY AND DISASSEMBLY THE WIPING ATTACHMENT

Assemble the stick vacuum cleaner – see the previous part of the manual.

Attach the sleeve to the bottom surface of the attachment **B19** and put the attachment on the floor.

Place the vacuum cleaner above the wiping attachment **B19** so that the protrusion on the attachment **B19** is aligned with the hole on the bottom surface of the floor nozzle **A18**. Gently push the vacuum cleaner until it clicks. That signalizes the correct connection of the attachment **B19** to the floor nozzle **A18**.

When you need to remove the attachment **B19** from the vacuum cleaner, carefully hold the attachment **B19** by one hand and pull the vacuum cleaner upwards until the floor nozzle **A18** is released from the attachment **B19**.

3. ASSEMBLY AND DISASSEMBLY OF THE VACUUM CLEANER WITH ACCESSORIES

To ensure perfect cleaning of your home, you can attach any of the supplied accessories to the output hole **A1** of the motor unit. Simply remove the accessory by pulling it out of the output hole **A1** of the motor unit. Press the lock **B2** first to remove the mini brush **B1**.

1. Cat&Dog motorised mini brush

Cat&Dog motorised mini brush is the ideal helper for removing animal fur, hair, etc., while at the same time being suitable for vacuuming hard-to-reach places. Its use is not limited to the home and can be used for vacuuming the car. It quickly and effectively removes hair, animal fur and other materials from car seats, upholstery, pillows, and other textile surfaces.

2. Combined crevice nozzle

It is suitable for vacuuming hard to reach places (e.g., window frames, corners, libraries, spaces between mattresses, upholstery, etc.). Press and hold the **B10** button and move forward to slide the brush out. Press **B10** button and move backward to slide the brush back.

3. Combined attachment for upholstery and furniture

The attachment is suitable for vacuuming surfaces, such as furniture or upholstery. Press and hold the **B13** button and move forward to slide the brush out. Thanks to the soft bristles, the attachment is ideal for removing dirt from fine surfaces, such as net curtains, curtains, etc. Press **B13** button and move backward to slide the brush back.

4. Soft brush

It is ideal for vacuuming dirt and dust from fragile objects, libraries, walls, blinds, etc.

5. Articulated connector and flexible hose

Attach the articulated connector **B15** or flexible hose **B16** to the output hole **A1** when you need to extend the reach of the used accessory, e.g., you need to vacuum dust on the wardrobe.



Note:

The picture **D** shows the possibilities how to combine the accessories.

CHARGING THE BATTERY

The battery **A10** can be charged either installed in the motor unit or removed.

Insert the connector of the power adapter **B18** into the socket **A9** and insert the adapter plug into the power socket.

The light **A8** turns red. The charging time usually takes 4 - 5 hours. The battery **A10** is charged once the light **A8** turns green. Then disconnect the connector of the power adapter **A18** from the socket **A9** and remove the plug from the power socket.



Note:

Once the battery **A10** is almost discharged, the operation of the vacuum cleaner will automatically stop to prevent the battery **A10** from being completely discharged.

In order to ensure the long life of the battery **A10**, it is advised to fully charge the battery **A10** before the first use and to discharge before the second charging (operation of the vacuum cleaner will automatically stop).

Tip:

This vacuum cleaner contains a built-in Li-ion battery. To ensure the longest possible lifetime of the battery, we recommend:

- do not unnecessarily leave the battery fully charged or completely flat for too long,
- do not keep the battery permanently fully charged. Its lifetime will be extended by keeping it at approximately half charge.
- do not fully discharge the battery.



INSERTING AND REMOVING THE BATTERY

1. **Inserting the battery:** Carefully turn the motor unit upside down and insert the fully charged battery **A10** so that the battery **A10** fits into the connective grooves – see picture **E**. Push the battery **A10** until it clicks. The battery **A10** can only be inserted with one side.



Warning:

Never insert the battery **A10** in the opposite way or with great force. There is a risk of damage.

2. **Removing the battery:** When you need to remove the battery **A10**, press the **A15** button to release the battery **A10**. Carefully remove it from the motor unit.



Warning:

If you do not use the vacuum cleaner for a long time, remove the battery **A18** from it and store it in a cold and dry place. Charge the battery regularly. Keep it away from the reach of metal objects to prevent excessive discharge.

USING THE STICK VACUUM CLEANER

1. Assemble the vacuum cleaner according to the instructions in the section **"ASSEMBLY AND DISASSEMBLY OF THE STICK VACUUM CLEANER"**.
2. Insert the fully charged **A10** into the motor unit.
3. Press the On / Off button **A6** and the vacuum cleaner turns on.
4. You can adjust the speed using the **A5** button. Press the **A5** button repeatedly to switch the speed as following:
I (low speed – ensures longer vacuuming time)
II (high speed – vacuuming at high power)
III (turbo speed – vacuuming at maximum power)
5. When vacuuming is completed, press the On / Off button **A6** and the vacuum cleaner turns off.



Note:

Electric rotary brush **A21** will automatically stop once it is blocked by, e.g., a foreign object or large amount of hair or animal hair. It is a safety feature that prevent the brush from damage. In such case, turn the vacuum cleaner off by pressing the On / Off button **A6** and remove the blocked object or hair from the brush **A21**.

USING THE VACUUM CLEANER WITH WIPING ATTACHMENT

Place the wiping attachment **B19** with the attached sleeve on the floor. Remove the lid **B21** and pour water or cleaning solution into the water tank **B20**. Put the lid **B21** back.



Note:

Always use a neutral cleaning agent with low foaming effect.

Attach the vacuum cleaner to the attachment **B19**.

In order to vacuum and wipe at the same time, pull the **B22** button up. Water slowly begins to flow from the tank into the sleeve. Turn the vacuum cleaner on, and while vacuuming you will also wipe the floor.



Note:

Regularly check the water/solution level in the water tank **B20** and fill it up as necessary.

When no longer using the wiping attachment **B19**, turn the vacuum cleaner off and push the **B22** button down. This will prevent air from entering the water tank and the water will stop flowing out. Pull the vacuum cleaner out in the upward direction.

STORAGE UNDER NORMAL USE

The vacuum cleaner SVC 0725BK is supplied with a holder **B17** which can be fixed on the wall. Choose the place where the holder **B17** will be easily accessible and there will be free space around it.

Mounting the holder on the wall

1. Put the holder **B17** to the wall and using a pencil, mark the points where it is necessary to drill the holes.
2. Drill two holes which you insert the wall plugs into.

3. Place the holder **B17** to the wall and insert the screws into the holes in the holder. Use a screwdriver to fix them. Make sure the holder **B17** does not move and the screws are properly tightened.



Warning:

Never install the holder **B17** in environments with high humidity or dustiness.

Storage of the motor unit and accessories

The holder **B17** is designed to store the motor unit and accessories in it. Insert the motor unit into the holder **B17** and you can attach the selected accessories you use the most often to two pins – see the picture **F**.

CLEANING AND MAINTENANCE

Before cleaning, always make sure the vacuum cleaner is switched off. Remove the battery **A10** from the motor unit.

CLEANING THE MOTOR UNIT AND ACCESSORIES

Use a soft cloth, lightly dampened in a lukewarm water, to clean the outer parts of the vacuum cleaner. Do not use abrasive cleaning agents, solvents, or dissolving agents, otherwise the unit surface may be damaged.

CLEANING THE STICK VACUUM CLEANER


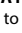
Empty the dust container

It is advised to empty the dust container **A13** after each use. However, if the dirt level reaches the MAX mark, it is necessary to empty the dust container **A13** immediately.

1. Remove the accessory from the motor unit.
2. Place the motor unit above the waste bin with the dust container bottom facing down.
3. Press the **A14** button and the dust container bottom is released and opens – see picture **G1**.
4. This will empty the container content directly into the waste bin.
5. Use your hand to close the container bottom. It clicks once correctly fitted.

Cleaning the dust container

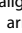

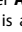
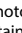
Clean the dust container **A13** regularly to prevent unpleasant odours.

1. Remove the accessory from the motor unit and empty the dust container **A13** according to the instructions above.
2. Press the **A2** button to release the dust container and at the same time, turn the container **A13** until the arrow on the motor unit points at the  symbol. Carefully remove it from the motor unit – see picture **G2**.
3. Wipe the inner walls of the dust container **A13** using a light dampened soft sponge. Dry with a clean cloth.
4. Turn the outer filter **A11** until the arrow on the filter **A11** points at the  symbol to release the outer filter **A11**. Carefully remove it from the motor unit downwards – see picture **G3**. Remove the tube filter **A12** from the motor unit downwards – see picture **G4**.
5. Remove the dirt from both filters. If necessary, you can wash them under the running clean water. And then dry them with clean cloth.



Warning:

Never insert wet or damp filters **A22** and **A12** into the motor unit! Always wait until it is completely dry.

6. Attach the tube filter **A12** to the motor unit.
7. Attach the outer filter **A11** to the motor unit so that the arrow on the filter **A11** is aligned with the  symbol. Then turn the filter **A11** until the arrow on the filter **A11** points at the  symbol and it clicks.
8. Attach the container **A13** to the motor unit so that the arrow on the motor unit is aligned with the  symbol. Turn until the arrow on the motor unit points at the  symbol. Correct securing of the container **A13** is signalled by a click.

Cleaning and change of the inflow filter

It is advised to clean inflow filter **A4** regularly to ensure proper vacuum cleaner operation. Depending on how often you use the vacuum cleaner, change the inflow filter **A4** once every 3 or 6 months.

1. Take the cover **A3** and pull it upwards.
2. Turn the filter **A4** clockwise to release it – see picture **G5**.
3. Remove the dirt from the filter **A4** over the waste bin. If the filter **A4** is heavily soiled, rinse it under running clean water – see picture **G6**. Leave it to dry.
4. Insert the filter **A4** to the bottom of the cover **A3** by aligning the protrusions on the filter **A4** with the grooves inside the cover **A3**. Turn the filter **A4** counter clockwise until you feel resistance.
5. Insert the cover **A3** with installed filter **A4** into the motor unit.

Cleaning the floor nozzle

It is necessary to clean the floor nozzle **A18** regularly to ensure the desired and stable suction power.

1. Remove the floor nozzle **A18** from the vacuum cleaner and turn it upside down.
2. Move the lock **A23** up to remove the side cover **A24** – see picture **G7**. Remove it.
3. Carefully remove the rotary brush **A21** – see picture **G8**.
4. Remove tangled hair, animal hair and other dirt from the rotary brush **A21**. You can use scissors to remove tangled hair or animal hair quicker.
5. Clean the inner part of the floor nozzle **A18** by a dry cloth.
6. Insert the clean rotary brush **A21** into the floor nozzle **A18**.
7. Finally, attach the side cover **A24**.

CLEANING THE WIPING ATTACHMENT

Always empty out the tank **B20** after every use of the attachment **B19**. Wipe the attachment **B19** with a soft sponge lightly dampened in warm water. Wipe dry using a clean wiping cloth.

Remove the sleeve and wash it by hand in cold water. Allow it to dry naturally.



Warning:

Under no circumstances submerge or wash the attachment **B19** in water or any other liquid.

Cleaning the Cat&Dog Mini brush

It is necessary to clean the Cat&Dog Mini brush regularly to ensure the desired and stable suction power.

1. Remove the rotary brush **B1** from the vacuum cleaner and turn it upside down.
2. Turn the lock **B4** to release the brush and take it out – see picture **H**.
3. Remove tangled hair, animal hair and other dirt from the brush. You can use scissors to remove tangled hair or animal hair quicker.
4. Clean the inner part of the rotary brush **B1** by a dry cloth.
5. Place the brush back and turn the lock **B4** until it clicks.

Storage

If you do not use the vacuum cleaner, clean it according to the instructions above and remove the battery **A10** from the motor unit. Before storing, make sure the vacuum cleaner and all accessories are clean and dry.

Store the appliance on a dry, clean and well-ventilated place where it will not be exposed to extreme temperature and out of reach of children or animals.

It is advised to regularly charge the battery **A10** every 6 months.

TROUBLESHOOTING

Before you decide to contact an authorised service centre, please read through the following table:

Problem	Possible cause	Solution
Vacuum cleaner does not work.	Battery A10 is discharged.	Charge the battery A10 before using the vacuum cleaner.
	Suction hole is blocked.	Remove the dirt from the suction hole.
	Vacuum cleaner is not correctly assembled.	Make sure all the parts are correctly assembled.
Suction power is low.	Dust container A13 is full, or the filters A11 and A12 are soiled.	Empty the dust container A13 and clean the filters A11 and A12 .
	A large amount of hair or animal hair is wound on the rotary brush A21 .	Clean the rotary brush A21 .
Short operation time of battery A10 after charging.	Battery A10 is not fully charged.	Fully charge the battery A10 .
	Battery A10 is at the end of its life.	Buy a new battery A10 .




Cautions:


If you cannot find your problem in the table above, or the problem persists, stop using the vacuum cleaner, turn it off and contact the authorised service centre.

TECHNICAL SPECIFICATIONS

Adapter

Input.....100 – 240 V~, 50/60 Hz, 0.8 A
 Output.....30 V  0.6 A
 Electric shock protection class II

Vacuum cleaner

Power input.....400 W
 Electric rotary brush30 W
 Cat&Dog electric rotary brush.....5 W
 BatteryLi-Ion / 25.2 V  / 2,500 mAh
 Time required for charging to full capacity..... approx.4 - 5 hours
 Operating time when fully charged up to 50 min
 Noise level..... ≤ 83 dB(A)
 Dust container capacity0.58 l
 Water tank capacity0.25 l

- The declared noise emission level of vacuum cleaner is ≤ 83 dB(A), which represents level A of acoustic power with respect to a reference acoustic power of 1 pW.

We reserve the right to change text and technical specifications.



Electric shock protection class

Class II – Electrical shock protection is provided by double or heavy-duty insulation.



The product is intended for household use only. The product is not intended for outdoor use.



Thoroughly read the all the instructions before using the product.

DISPOSAL OF BATTERIES



Prior to disposing of the product or handing it over at a specialised collection facility, it is necessary to ensure that the battery is removed. Before removing the battery, it is necessary to start the vacuum cleaner and wait until it is completely flat. The battery contains environmentally damaging substances and therefore does not belong in standard household waste. Their correct disposal will be performed by the respective collection facility.

INSTRUCTIONS AND INFORMATION REGARDING THE DISPOSAL OF USED PACKAGING MATERIALS

Dispose of used packaging material at a site designated for waste in your municipality.

DISPOSAL OF USED ELECTRICAL AND ELECTRONIC EQUIPMENT



This symbol on products or original documents means that used electric or electronic products must not be added to ordinary municipal waste. For proper disposal, renewal and recycling, hand over these appliances to determined collection points. Alternatively, in some European Union states or other European countries you may return your appliances to the local retailer when buying an equivalent new appliance.

Correct disposal of this product helps save valuable natural resources and prevents potential negative effects on the environment and human health, which could result from improper waste disposal. Ask your local authorities or collection facility for more details.

In accordance with national regulations penalties may be imposed for the incorrect disposal of this type of waste.

For business entities in European Union states

If you want to dispose of electric or electronic equipment, ask your retailer or supplier for the necessary information.

Disposal in other countries outside the European Union.

This symbol is valid in the European Union. If you wish to dispose of this product, request the necessary information about the correct disposal method from the local council or from your retailer.



This product meets all the basic requirements of EU directives related to it.