



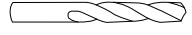


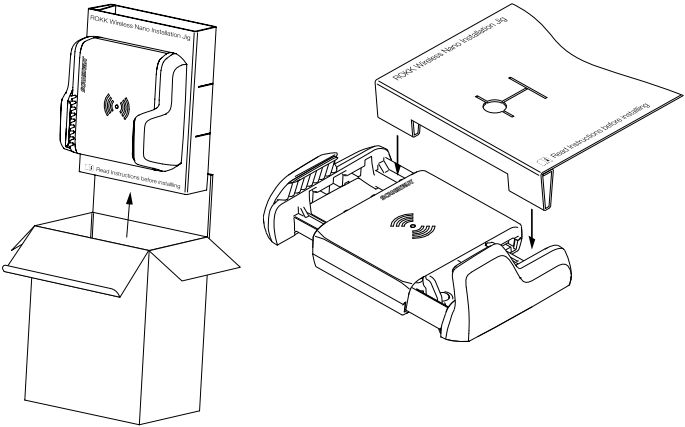


Technical Information	
Input voltage range	10-30V DC (12/24V system)
Input current max	2A
Output power max	10W (9V, 1.1A)
Standby power draw	< 0.2W
Waterproof rating	IPX6 front and back
Certifications	Qi, CE, UKCA, FCC, IC, ROHS, UNECE R10 E24, RCM, PSE

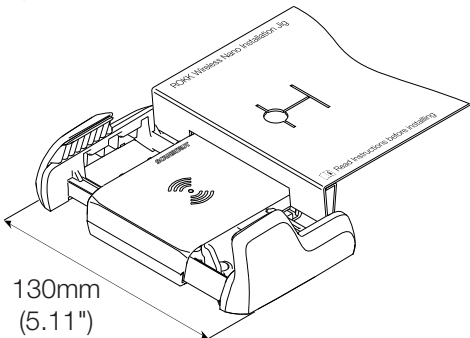
Part List		
		
ROKK Wireless Nano	Installation Jig	No 4 x 3/4" (18mm) Self tapping screw
x1	x1	x4

Tools Required	
	
Pozi Screwdriver	Option A: 10 mm (0.39") Drill bit
	
Drill bit (for pilot holes) 2mm (5/64") 2.5mm (3/32")	Option B: 22mm (0.86") Hole saw

① Unbox Nano and insert the installation jig.

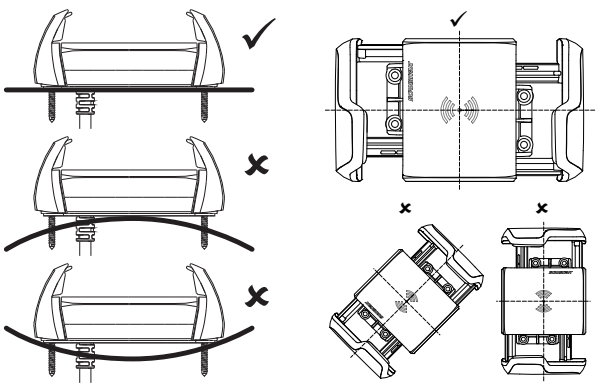


② Ensure there is sufficient clearance top open the jaws in chosen installation area.



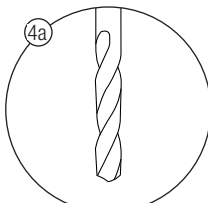
130mm (5.11")

③ Ensure Nano is Horizontal and installation area is flat.



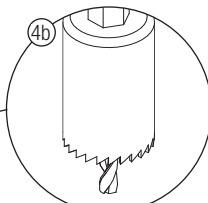
④ Use drilling template to drill x4 pilot holes (see tools required table).

Drill Option A
ø10mm (0.39")
for use with
stripped cables.

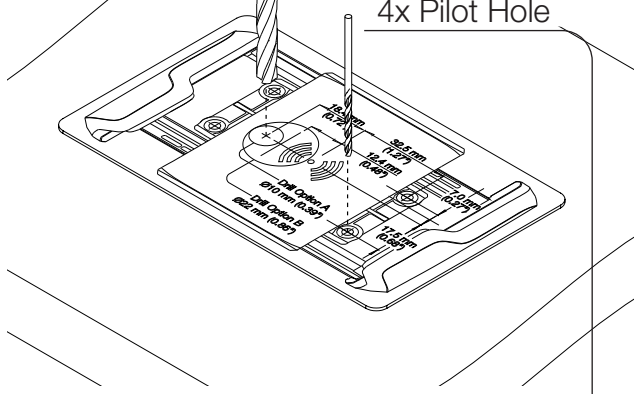


ø10mm (0.39")

Drill Option B
ø22mm (0.86")
for use with cable
connectors.



ø22mm (0.86")



Material	No. 4 Screw
Soft Material E.g plywood	2mm (5/64")
Hard Material E.g Fiberglass acrylic, hardwood	2.5mm (3/32")

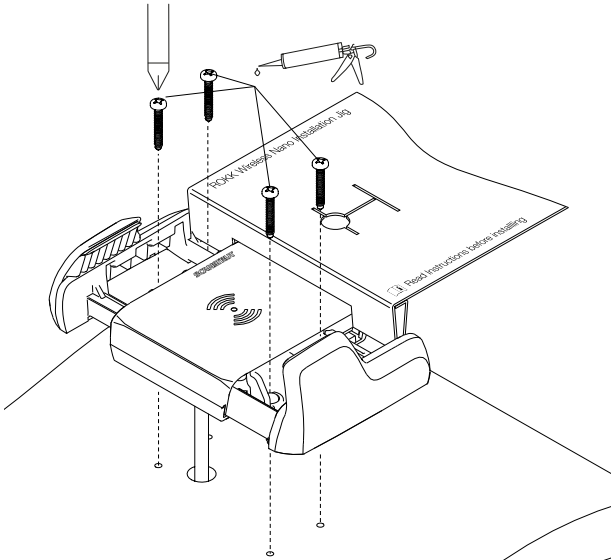
UK & International +44 (0)1392531280 sales@scanstrut.com

For further installation and warranty information please visit: www.scanstrut.com

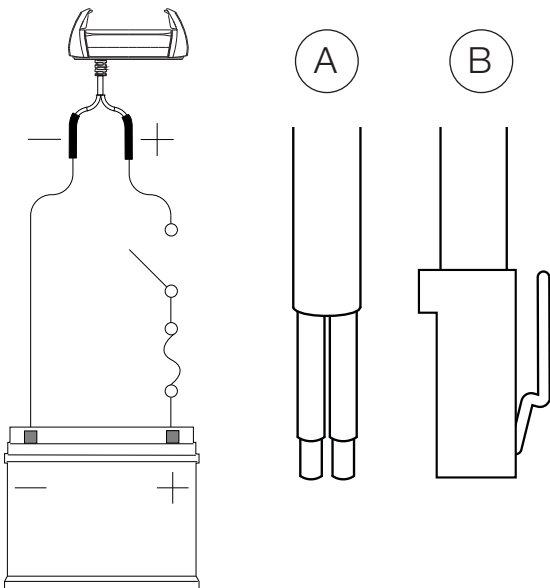
USA +1 860 308 1416 usasales@scanstrut.com



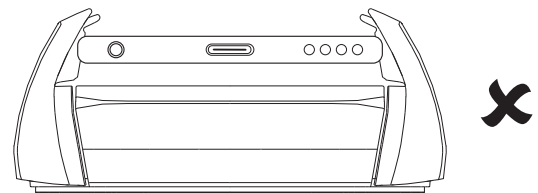
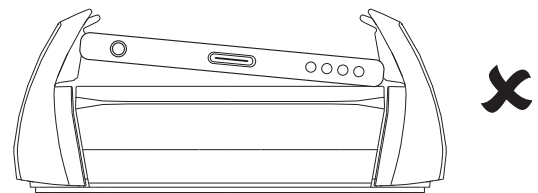
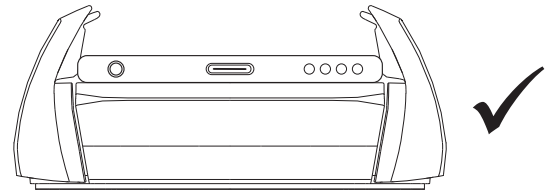
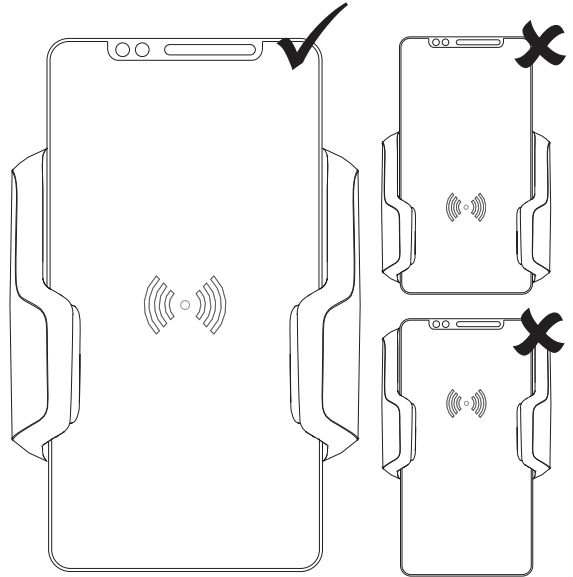
- ⑤ - Feed cable through the hole.
 - Apply sealant to x4 screws.
 - Screw product in place.
 - Remove installation jig.



- ⑥ Connect wires or connectors to 12/24V supply, ensuring a waterproof connection. Fuse according to input voltage and current.



USER GUIDE:
 Place device centrally within the Nano jaws.



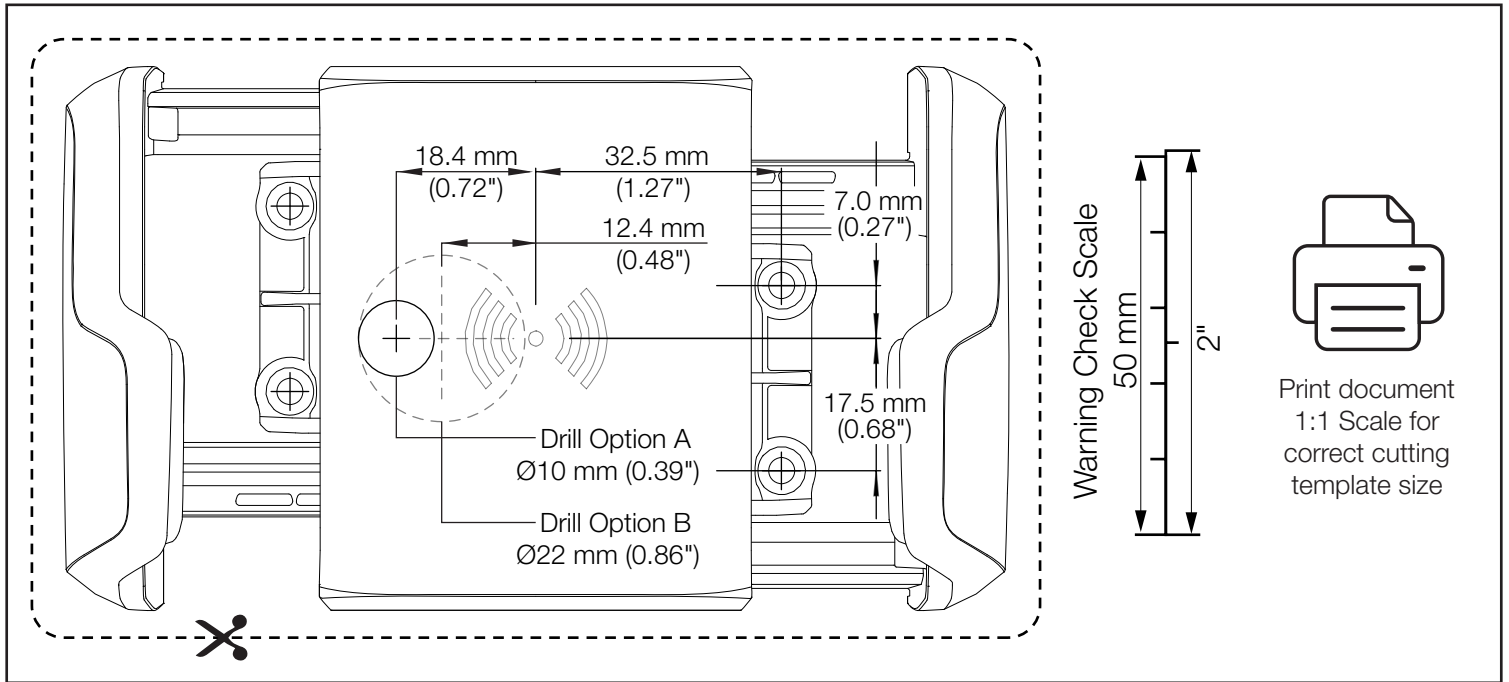
CARE:
 Wash down carefully with fresh water.

UK & International
 +44 (0)1392531280
 sales@scanstrut.com

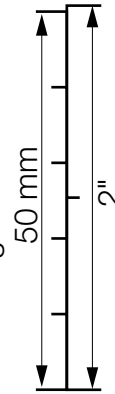
For further installation
 and warranty information
 please visit:
 www.scanstrut.com

USA
 +1 860 308 1416
 usasales@scanstrut.com

SCANSTRUT.



Warning Check Scale



Print document 1:1 Scale for correct cutting template size

IN EXTREME USAGE ENVIRONMENTS PERFORMANCE MAY VARY.

This product is designed to securely mount phones under normal usage conditions. The end-user is entirely responsible for conditions in which their device is used. See WARRANTY section for further details.

Scanstrut recommends installation is carried out by a qualified electrician. No liability is accepted for damage and/or injury caused by incorrect installation.

WARNING:

This product is to be connected to a 12V DC or 24V DC battery power source only.

The power supply must be switched off before installation.

An appropriate fuse or circuit breaker must be used between the battery / power source and this product. Check for correct polarity of all wiring before switching the power on.

This product may contain high voltages. Do not tamper with the product.

This product is NOT approved for use in hazardous/flammable atmospheres. Do NOT install in a hazardous/flammable atmosphere e.g. engine room.

Before drilling any holes, ensure the area behind the mounting location is clear of wires, fuel and all other hazardous objects.

Ensure any holes cut will not significantly weaken the structure of the mounting surface.

If the product needs to be mounted outside, it must be mounted in a location safely above the waterline, where it is not at risk of being submerged.

Full strength not achieved until product is installed

CAUTION:

The product is designed specifically for the charging of Qi compatible devices.

The cable must be retained and not interfere with mechanical systems.

This product contains no user serviceable components. Do NOT attempt to repair or alter the product in any way.

This product will charge through non-metallic phone cases up to ~3mm thick. Phone cases may alter overall charge performance.

When used in a very high/low ambient temperature/direct or prolonged sunlight the product may temporarily shut down, this is a safety feature of the electronics.

The IP rating is only valid if correctly installed as per these instructions and on a perfectly flat, non-porous, smooth surface.

When selecting a mounting location, avoid places exposed to heat-radiating appliances and poorly ventilated areas.

EMC INSTALLATION GUIDELINES:

Scanstrut products conform to Electromagnetic Compatibility (EMC) regulations, to ensure that electromagnetic interference between equipment is minimised.

Correct installation is required to ensure that electromagnetic interference is kept to a minimum.

WIRING:

When extending the cable from battery/power source to the product, ensure there is consistently a minimum of 10V being provided to the product. A wire gauge of 18AWG (0.82mm²) is recommended for any length of cable extension.

The electrical schematic is to illustrate how the product should be connected to a 12V DC or 24V DC battery/power supply.

ENVIRONMENTAL PROTECTION:

Waste electrical products should not be disposed of with household waste. Please recycle where facilities exist. Check with your Local Authority or retailer for recycling advice.

IMPORTANT:

Scanstrut Ltd. accepts no responsibility for any injuries or other damages arising from the use of their products in any circumstances.

WARRANTY:

A 2 year, non-transferable warranty covers this Scanstrut product only and not any devices that are mounted in it or on it. No warranty is given for users' devices and users expose their devices to hazards, known or unknown, at their own risk.

UK & International
+44 (0)1392531280
sales@scanstrut.com

For further installation
and warranty information
please visit:
www.scanstrut.com

USA
+1 860 308 1416
usasales@scanstrut.com

