

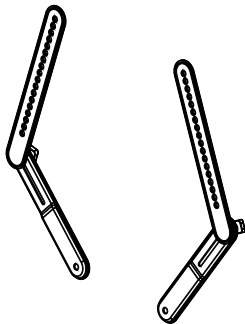
SANUS[®]

A brand of **Legrand**

WSSAFM1-B2

SOUNDBAR MOUNT DESIGNED FOR Sonos[®] Ray[™]

INSTRUCTION MANUAL



WE'RE HERE TO HELP

If you have any questions along the way, just give us a call or visit SANUS.com

US: +1 (800) 359-5520 • **UK:** +44 (0) 800 056 2853 • **EMEA:** +31 (0) 495 580 852

Texto en español, página 22

Deutscher Text Seiten 30

Svensk text sida 38

Русский текст: стр. 46

日本語は 50 ページ

Texte français page 26

Nederlandse tekst op pagina 34

Testo italiano pagina 42

中文文字说明请参见第 54 页

IMPORTANT SAFETY INSTRUCTIONS

SAVE THESE INSTRUCTIONS - PLEASE READ ENTIRE MANUAL PRIOR TO USE

Before getting started, let's make sure this mount is perfect for you!

- Your TV, soundbar, soundbar mount, and any accessories you plan to install **DO NOT EXCEED** the specified weight limit of your TV or TV wall mount.
- Refer to the documentation that came with your soundbar, your TV and your TV wall mount for additional guidance.
- You **CANNOT** use this product if your TV mount's interface bracket: includes built-in/integrated spacers (**Figure 1**), or the mounting holes/slots are greater than 11mm [.43 in.] (**Figure 2**).

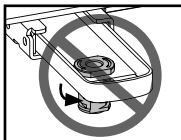


Figure 1

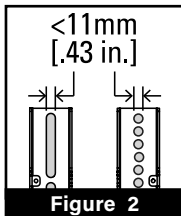
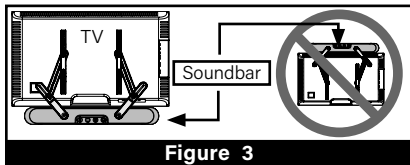


Figure 2

⚠ WARNING:

- This soundbar mount is only designed for use with TV wall mounts that meet third party safety certifications (UL Certified).
- This soundbar mount is **ONLY** designed to mount below the television (**Figure 3**).
- This soundbar mount is designed to be installed and utilized only as specified in this manual. The manufacturer is not responsible for improper assembly, use, or handling of this product.
- For wall mounted TVs: Your wall must be capable of supporting five times the weight of your TV, TV mount, and soundbar combined.
- Failure to follow these instructions could result in an unstable situation that may result in property damage or personal injury.



If you have any questions,
please contact customer service.

US: +1 (800) 359-5520

UK: +44 (0) 800 056 2853

EMEA: +31 (0) 495 580 852

Weight Restrictions

Weight Limit
for WSSAFM1-B2



DO NOT EXCEED
5 lbs. (2.27 kg)
for this Soundbar Mount.

TOTAL Weight Limit for Your TV Mount/Stand

⚠ CAUTION: Avoid potential personal injuries and property damage!
The weight of your TV/ this soundbar mount/your soundbar/any accessories, **MUST BE LOWER** than the maximum weight rating of your TV mount.

See your TV mount's manual for maximum weight allowed.



Soundbar
Mount



Sonos* Ray™
Soundbar



ANY Other
Accessories

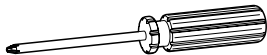


Your TV

**Total Maximum
weight** for Your TV
Mount/Stand



Tools Needed



Phillips Screwdriver

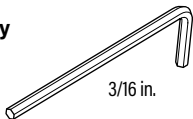


Level

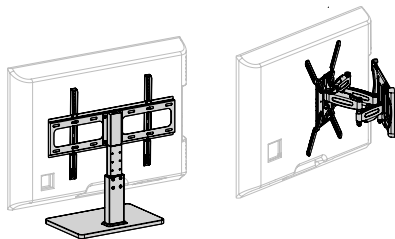
INCLUDED

Hex Key

H1



3/16 in.



3rd Party Certified TV stand or Wall Mount**

**The TV mount styles illustrated will vary, though the install procedures are the same.

Supplied Parts and Hardware

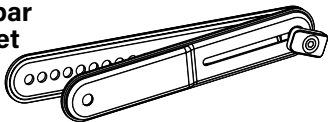
⚠ WARNING: This product contains small items that could be a choking hazard if swallowed. Before starting assembly, verify all parts are included and undamaged. If any parts are missing or damaged, do not return the damaged item to your dealer; contact Customer Service. Never use damaged parts!

📄 NOTE: Not all hardware included will be used.

Parts and Hardware for STEP 1

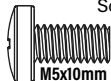
Soundbar Bracket

01
qty. 2

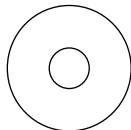


M5 x 10mm Soundbar Screw

02
qty. 2



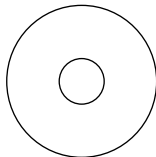
6



M5

M5 Washer

03
qty. 2



#10

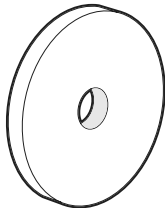
Spacer

04
qty. 2

Part for STEP 3

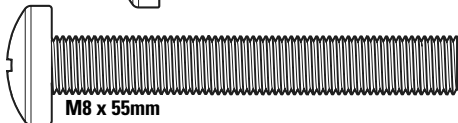
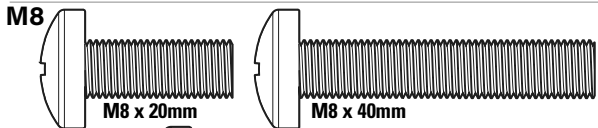
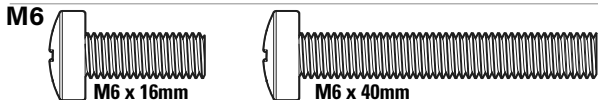
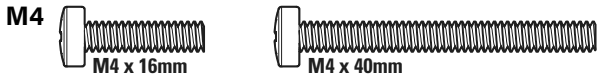
Mount Spacer

05
qty. 2



Parts and Hardware for STEP 3

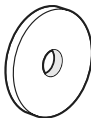
TV Interface Screws **06** qty. 4 each



Washers

07

qty. 4



**M4 / M5
Washer**

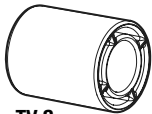


**M6 / M8
Washer**

Spacers

08

qty. 4



**TV Spacer
22mm**



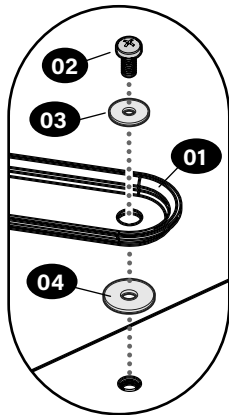
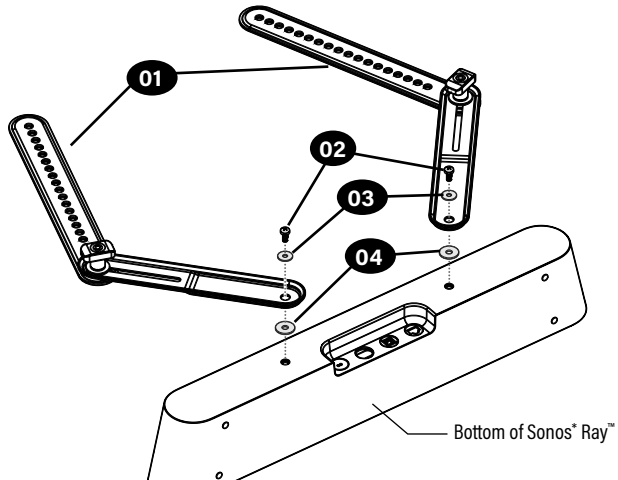
5mm



2.5mm

STEP 1

Install Brackets on Sonos* Ray™



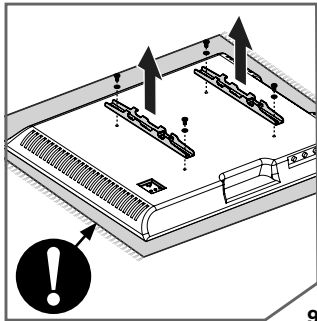
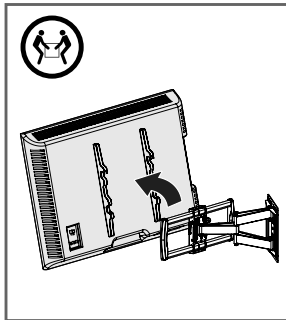
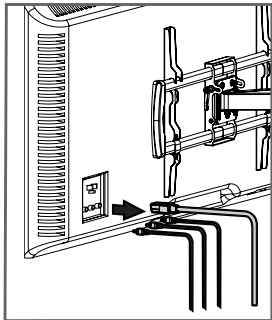
STEP 2

Position Sonos[®] Ray[™] Soundbar

STEP 2.1

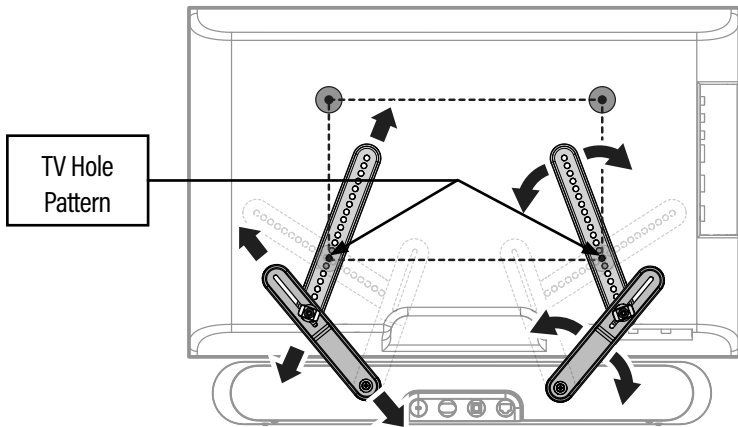
Prep Your TV (if mounted on a wall or stand)

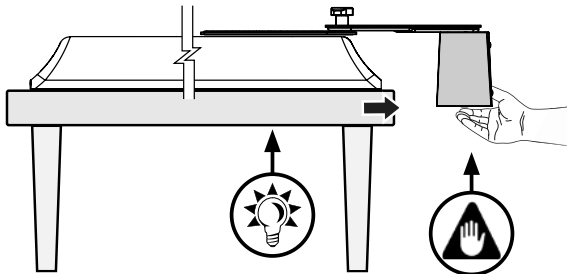
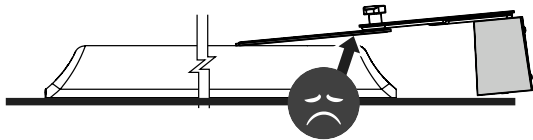
⚠ CAUTION: Follow your TV mount's manual for instructions on how to safely remove your TV and TV bracket.



STEP 2.2

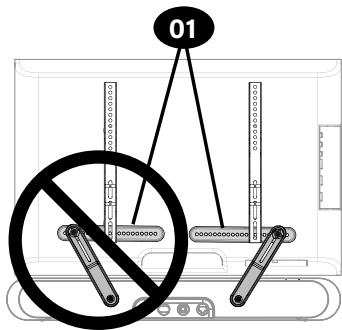
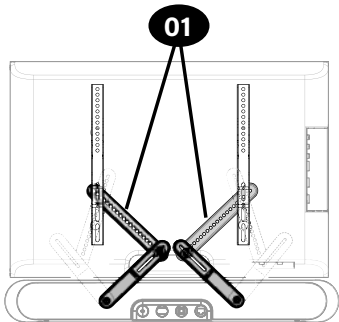
Adjust Soundbar Mount to Match Your TV (VESA) Hole Pattern







NOTE: Position the soundbar brackets **01** as vertically as possible.



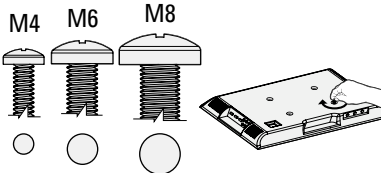
STEP 3

Install Sonos* Ray™ Soundbar Mount to Your TV

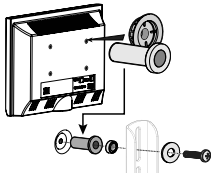
3.1

TV Screw Diameter

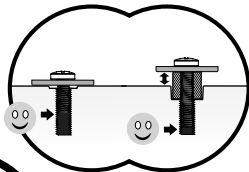
Only one screw size **06** fits your TV.



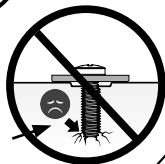
NOTE: If your TV included inset spacers or adapters, use them **UNDER** the mount hardware.



CAUTION: Verify adequate thread engagement with your screw **06**, washer **07**, spacer **08** combination AND TV/sound bar brackets.



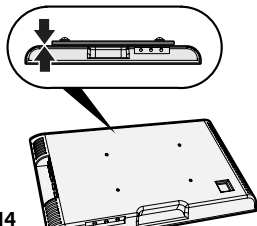
Too short will not hold your TV.



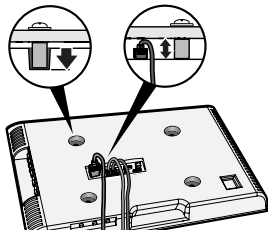
Too long will damage your TV.

a NO SPACER**Flat Back TV**

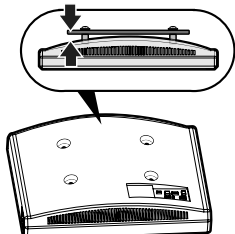
[TV brackets lay flat on your TV]

GO TO PAGE 15**b** SPACER NEEDED**Flat Back TV****with Extra Space Needed**

[for deep inset holes or cable interference]

GO TO PAGE 16**Rounded or Irregular Back TV**

[TV brackets NOT resting flat on your TV]

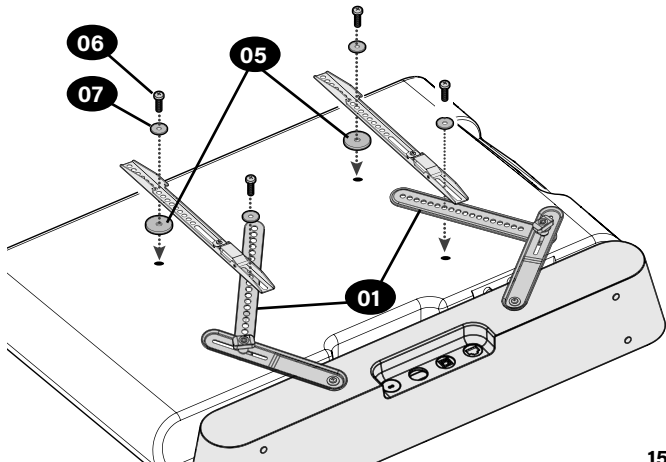
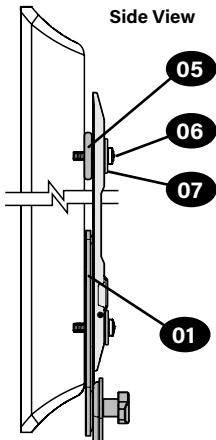
GO TO PAGE 16

3.3a

Assemble (No Spacer)

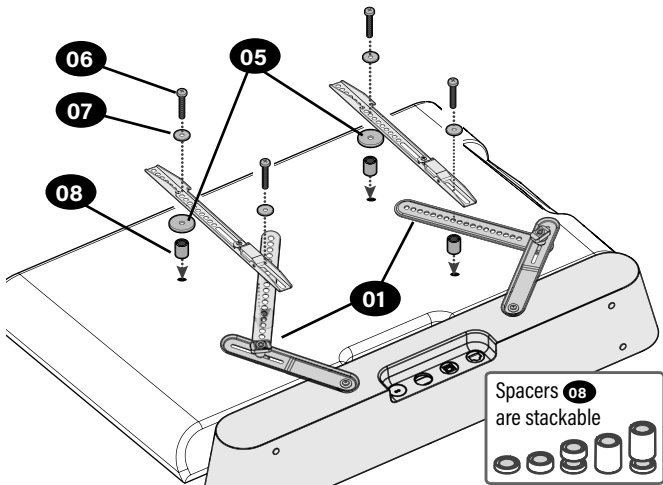
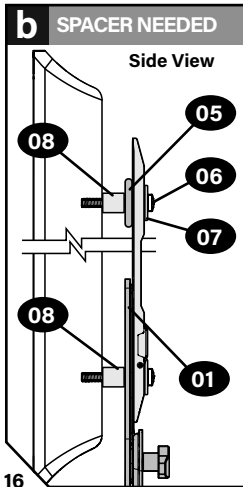
a NO SPACER

Side View




3.3b

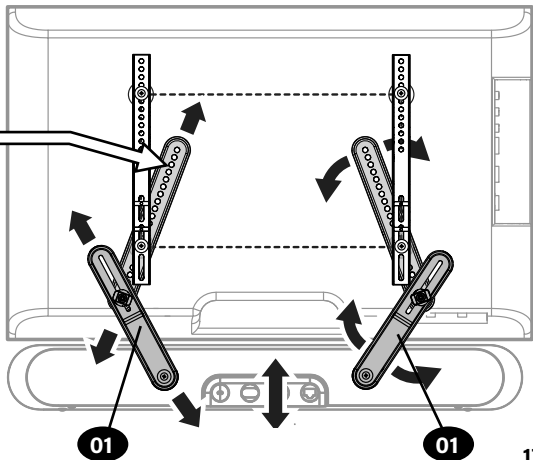
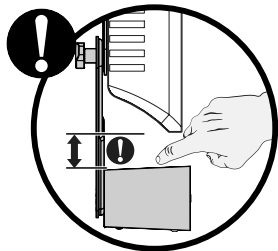
Assemble (Spacer Needed)



STEP 4

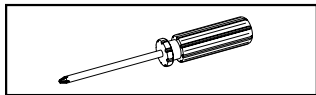
Adjust Soundbar Bracket

 **NOTE:** You may need to reposition the hole locations in soundbar brackets **01** to adjust your soundbar to the desired position.



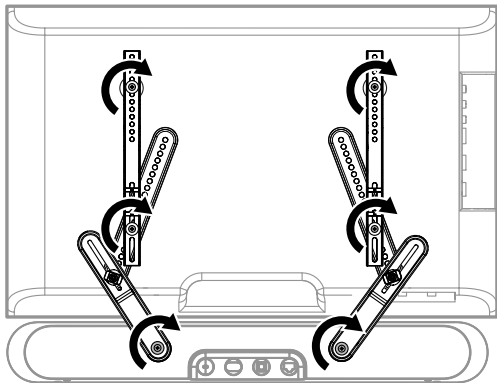
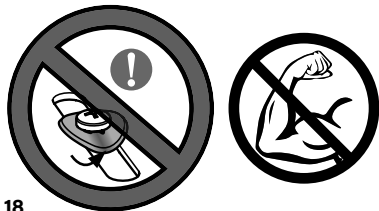
STEP 5

Tighten Connections



! IMPORTANT!

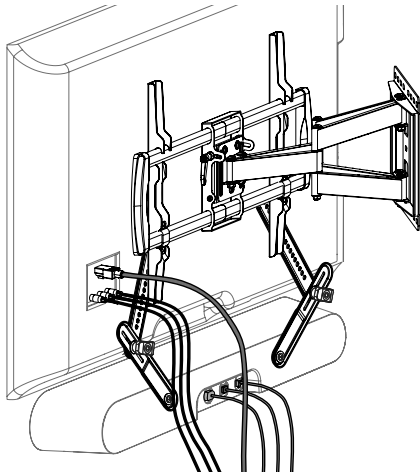
Do not over-tighten the screws — this will deform the washers.



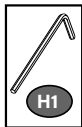
STEP 6

Hang Up the TV / Sonos* Ray™ Assembly

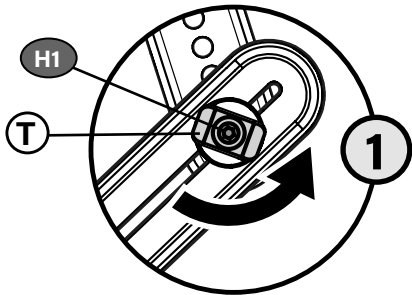
Follow your TV wall mount installation manual to hang your TV assembly.



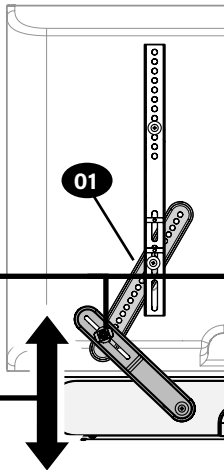
Adjustments

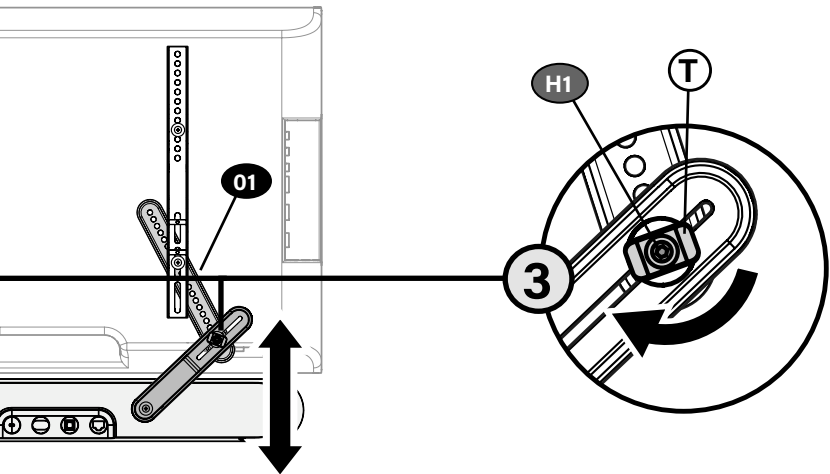


 **TIP:** Use tilt knobs **T** to get soundbar mount to desired location, then use included hex key **H1** to tighten.



2





SANUS[®]
A brand of **Legrand**

Thank you for choosing SANUS!

Please take a moment to let us know how we did:

Legrand AV Inc.
6436 City West Parkway
Eden Prairie, MN 55344 USA

US: +1 (800) 359-5520

Legrand AV Netherlands B.V.
Franklinstraat 14
6003 DK Weert Netherlands

UK: +44 (0) 800 056 2853

EMEA: +31 (0) 495 580 852

Authorized Representative for the UK
Starline Holding Technology Ltd.
Unit C Island Road
Reading RG2 0RP UK

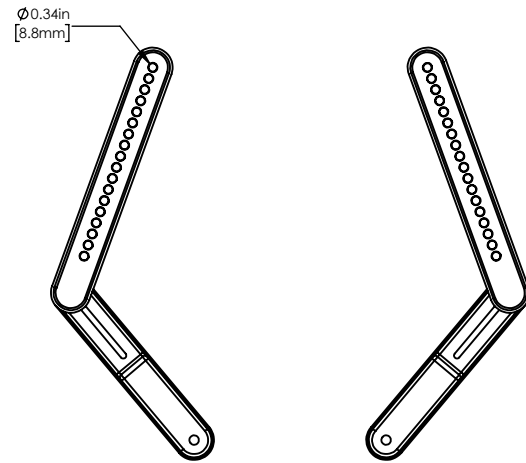
Legrand AV Inc. and its affiliated corporations and subsidiaries (collectively, "Legrand"), intend to make this manual accurate and complete. However, Legrand AV makes no claim that the information contained herein covers all details, conditions, or variations. Nor does it provide for every possible contingency in connection with the installation or use of this product. The information contained in this document is subject to change without notice or obligation of any kind. Legrand AV makes no representation of warranty, expressed or implied, regarding the information contained herein. Legrand AV assumes no responsibility for accuracy, completeness or sufficiency of the information contained in this document.

©2021 Legrand AV Inc. All rights reserved. SANUS is a brand of Legrand.
Sonos[®] and Ray are trademarks or registered trademarks of Sonos, Inc. *Reg. U.S. Pat. & TM Off.

Legrand AV - 6436 City West Parkway - Eden Prairie, MN 55344 USA

6901-602832 00

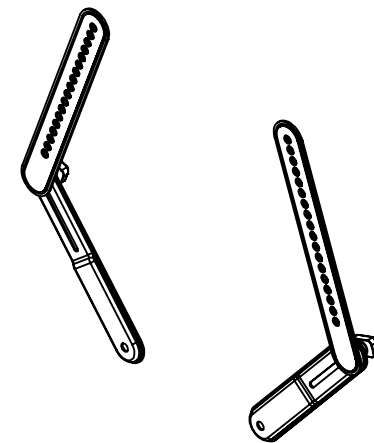
TV INTERFACE



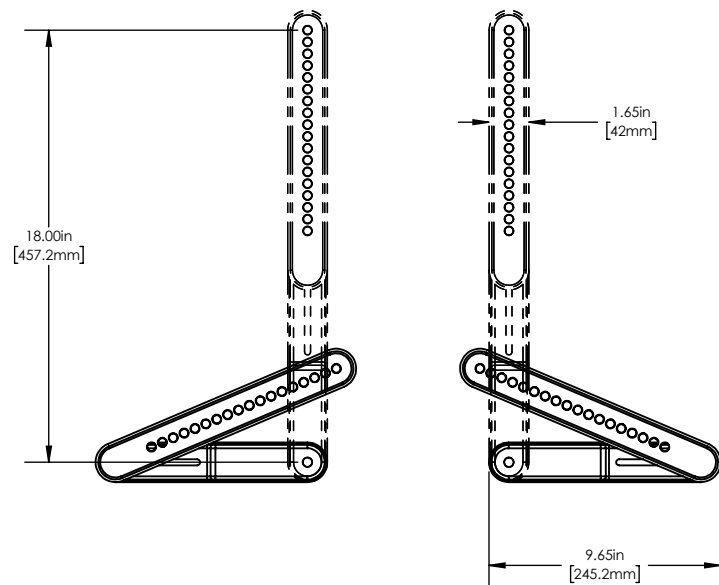
SOUNDBAR TV MOUNT 6805-002420-XXX

THE INFORMATION AND DESIGNS CONTAINED IN THIS DRAWING ARE CONFIDENTIAL AND THE PROPRIETARY PROPERTY OF LEGRAND | AV. NEITHER THIS DESIGN NOR ANY INFORMATION CONTAINED IN THIS DRAWING MAY BE REPRODUCED OR DISCLOSED TO OTHERS WITHOUT THE EXPRESS WRITTEN CONSENT OF LEGRAND | AV.
本图纸所包含的信息和设计均系 LEGRAND | AV 机密和知识产权。本图纸包含的设计和信息未经 LEGRAND | AV 书面同意均不得复制或 者泄露给他人

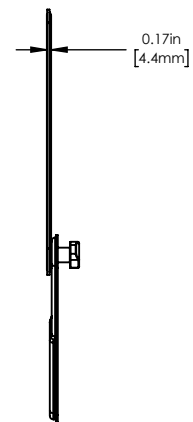
3-D FRONT VIEW



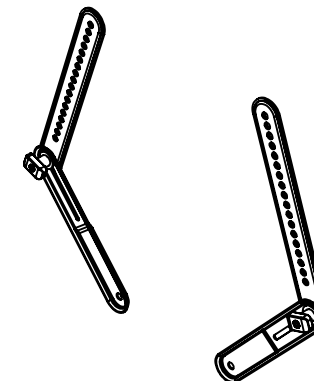
OVERALL DIMENSIONS



SIDE VIEW



3-D REAR VIEW



TOP VIEW



SOUNDBAR TV MOUNT 6805-002420-XXX

