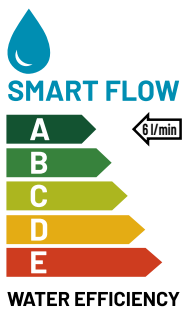


# Automatic washbasin tap with thermostatic valve SLU 02T



**SANELA**   
we make water cool®

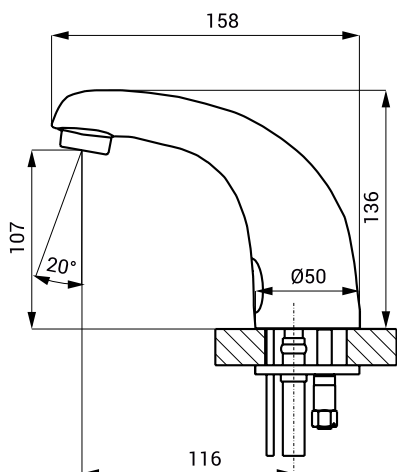


## Characteristics



- includes Bluetooth control (Sanela Control app available for download)
- economical aerator, flow rate 6 l/min
- hygienic flush
- is intended for supplying hot and cold water, temperature adjustment manually by thermostatic valve in the range of 35 - 65 °C
- responds to the presence of hands in the sensing zone with immediate water activation
- water shuts off after hands are removed and the set time elapses (can be set in the range 0.25 – 7.75 s)
- safety function: water shuts off after 5 minutes
- option to switch to START/STOP mode
- parameter setting and communication with the electronics via the Sanela Control app (Bluetooth) or the SLD 03
- the product meets the water consumption requirements for Class 1 according to the EU Water Label program, ensuring efficient water use

## Dimensions



## Technical Specification

<b>Dimensions</b>	158 x 136 mm
<b>Weight</b>	1,82 kg
<b>Supply voltage</b>	24 V DC
<b>Power input</b>	7 W
<b>Active range</b>	
▪ standard	0,13 - 0,19 m
▪ in START/STOP mode	0,05 - 0,15 m
<b>Recommended working pressure</b>	0.1 - 0.6 MPa
<b>Flow rate</b>	6 l/min. (inf. data)
<b>Water inlet</b>	external thread G 1/2"

## Supply Specification

SLU 02T - Supply No. 13026 spout with electronics including Bluetooth module, solenoid valve (1 pc.), thermostatic valve, connecting hose, angle valve with filter and check valve (2 pcs.)

## Recommended accessories

SLZ 01Y - Supply No. 05012 power supply 24 V DC for operating of max. 5 pcs. of washbasin taps  
 SLZ 01Z - Supply No. 05011 power supply 24 V DC for operating of max. 9 pcs. of washbasin taps  
 SLZ 04Y - Supply No. 05042 power supply 24 V DC for DIN rail, for operating of max. 5 pcs. of washbasin taps  
 SLZ 04Z - Supply No. 05041 power supply 24 V DC for DIN rail, for operating of max. 9 pcs. of washbasin taps  
 SLZ 04X - Supply No. 10049 power supply 24 V DC for DIN rail, for operating of max. 15 pcs. of washbasin taps  
 SLZ 06 - Supply No. 05060 power supply 24 V DC for max. 1 washbasin tap  
 SLD 03 - Supply No. 07030 remote control for an adjustment of parameters  
 SANELA CONTROL APP paid Sanela Control application available for download on the App Store and Google Play