

Infrared group urinal flush valve with electric ALS SLP 05KBX

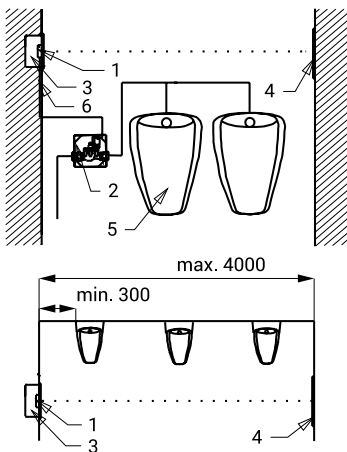


Characteristics



- includes Bluetooth control (paid Sanela control app available for download)
- is designed for flushing a group of urinals at once
- responds to the presence of people in front of the urinals in the axis of the sensor (approx. 200 mm from the front edge of the urinal) for longer than 7.5 s
- sensor range to the reflective foil up to 3 m (option to extend the range on request)
- all urinals will be flushed after all persons have left the monitored zone
- flush time is adjustable from 0.5 to 15.5 s
- parameter settings and communication with the electronics via Sanela control app (Bluetooth) or the SLD 03
- automatic flushing 24 hours after the last valve activation
- battery status monitoring
- brushed finish

Building preparation



- 1 - stainless steel cover with electronics
- 2 - installation box (stainless steel)
- 3 - installation box (plastic)
- 4 - reflective foil
- 5 - urinal
- 6 - connection of electronics and valve

Technical Specification

Stainless steel cover dimensions	170 x 170 x 10 mm
Dimensions	
▪ plastic box	140 x 140 x 75 mm
▪ stainless steel box with valve	145 x 155 x 100 mm
Supply voltage	6 V
Power input	3 W
Range	0,3 - 3 m
Recommended working pressure	0.15 - 0.6 MPa
Flow rate	70 l/min at pressure 0.15 MPa (informative value)
Water inlet	cross-section min. 32 mm (PN 16) external thread min. G 1"
Water outlet	external thread G 1"

Supply Specification

SLP 05KBX - Supply No. 01057 stainless steel cover with electronics including Bluetooth module, plastic installation box with electronics, stainless steel installation box with fittings and solenoid valve, stainless steel cover (for covering the box with valve), reflective foil, 4 pcs AA alkaline batteries 1.5 V 2700 mAh

Recommended accessories

SLD 03	- Supply No. 07030	remote control for an adjustment of parameters
SLA 02	- Supply No. 06020	inlet fitting with gasket for water supply to urinals with rear inlet
SLA 30	- Supply No. 06300	reflective foil
SLA 36	- Supply No. 06360	set of 4 AA alkaline batteries, 1.5 V, 2700 mAh
SANELA CONTROL APP		paid Sanela Control app available for download on the App Store and Google Play