



REGISTER YOUR TOOLS
<http://register.ryobitools.com>
 1-800-525-2579

**OPERATOR'S MANUAL
 MANUEL D'UTILISATION
 MANUAL DEL OPERADOR
 18V BACKPACK SPRAYER
 PULVÉRISATEUR À DOS DE 18 V
 ROCIADOR CON MOCHILA DE 18 V
 P2806**

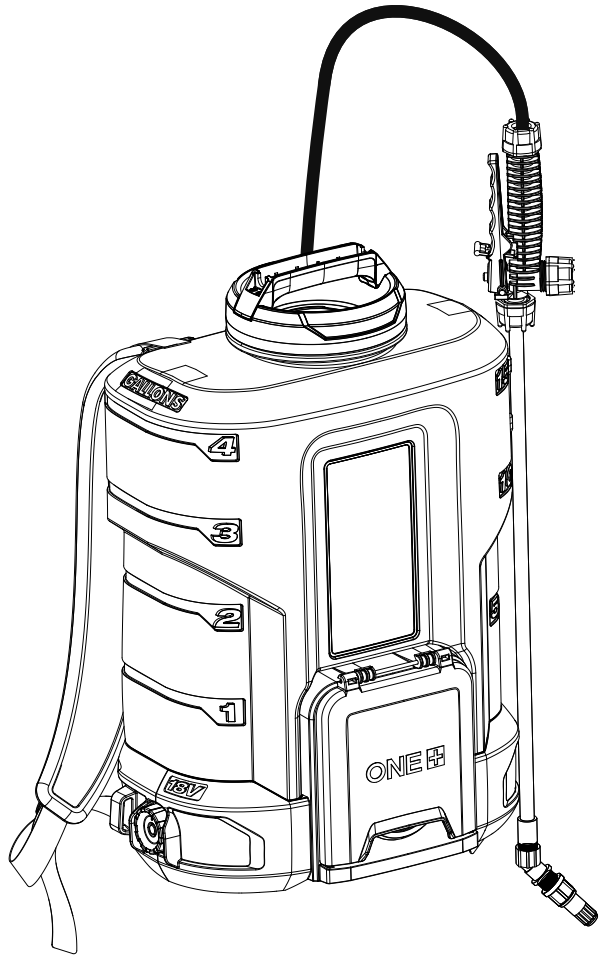


TABLE OF CONTENTS

- Important Safety Instructions2
- Specific Safety Rules 3-4
- Symbols.....5
- Features.....6
- Assembly 6-7
- Operation.....7-10
- Maintenance..... 10-11
- Parts Ordering/Service Back Page

TABLE DES MATIÈRES

- Instructions importantes concernant la sécurité.....2
- Règles de sécurité particulières 3-4
- Symboles.....5
- Caractéristiques 6
- Assemblage..... 6-7
- Utilisatio.....7-10
- Entretien.....10-11
- Commande de pièces/ réparationPâge arrière.....Pâge arrière

ÍNDICE DE CONTENIDO

- Instrucciones de seguridad importantes2
- Reglas de seguridad específicas ... 3-4
- Símbolos 5
- Características..... 6
- Armado..... 6-7
- Funcionamiento..... 7-10
- Mantenimiento..... 10-11
- Pedidos de piezas/ servicio..... Pág. posterior

⚠ WARNING: To reduce the risk of injury, the user must read and understand the operator's manual before using this product.

⚠ AVERTISSEMENT : Pour réduire les risques de blessures, l'utilisateur doit lire et veiller à bien comprendre le manuel d'utilisation avant d'employer ce produit.

⚠ ADVERTENCIA: Para reducir el riesgo de lesiones, el usuario debe leer y comprender el manual del operador antes de usar este producto.

SAVE THIS MANUAL FOR FUTURE REFERENCE

CONSERVER CE MANUEL POUR FUTURE RÉFÉRENCE

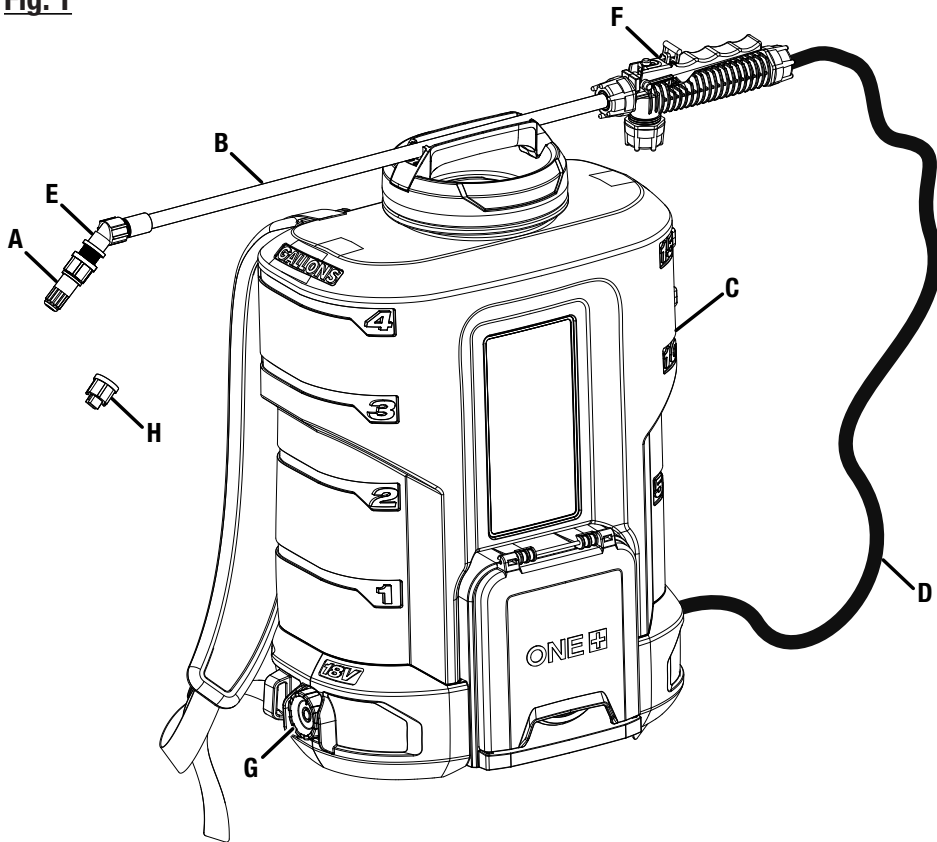
GUARDE ESTE MANUAL PARA FUTURAS CONSULTAS

See this fold-out section for all of the figures referenced in the operator's manual.

Consulter l'encart à volets afin d'examiner toutes les figures mentionnées dans le manuel d'utilisation.

Consulte esta sección desplegable para ver todas las figuras a las que se hace referencia en el manual del operador.

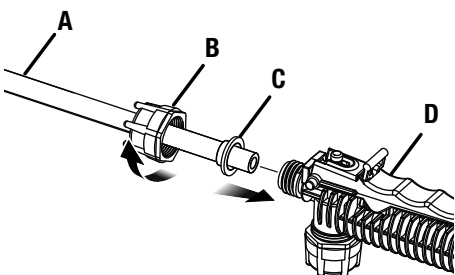
Fig. 1



- A - Cone nozzle (buse conique, boquilla tipo cono)
- B - Spray wand (lance de pulvérisation, tubo rociador)
- C - Tank (réservoir, tanque)
- D - Hose (tuyaux, manguera)
- E - 45° elbow (coude à 45°, codo de 45°)
- F - Trigger handle with lock-on (poignée à gâchette avec verrouillage, mango de gatillo con seguro)

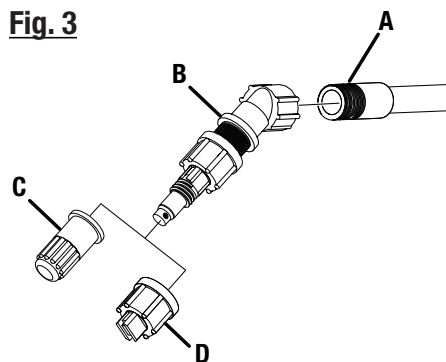
- G - Control knob (bouton de commande, perilla de control)
- H - Fan nozzle (buse en éventail, boquilla tipo abanico)

Fig. 2



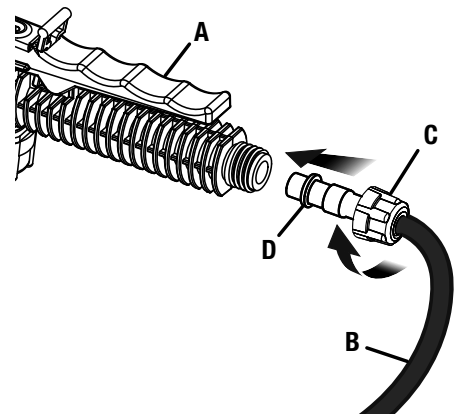
- A - Spray wand (lance de pulvérisation, tubo rociador)
- B - Cap (bouchon, tapa)
- C - O-ring (joint torique en O, anillo en "O")
- D - Trigger handle with lock-on (poignée à gâchette avec verrouillage, mango de gatillo con seguro)

Fig. 3



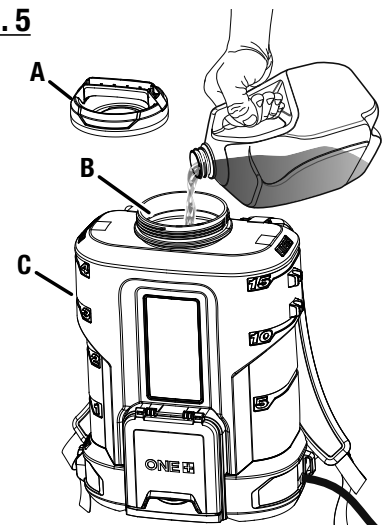
- A - Spray wand (lance de pulvérisation, tubo rociador)
- B - 45° elbow (coude à 45°, codo de 45°)
- C - Cone nozzle (buse conique, boquilla tipo cono)
- D - Fan nozzle (buse en éventail, boquilla tipo abanico)

Fig. 4



- A - Trigger handle with lock-on (poignée à gâchette avec verrouillage, mango de gatillo con seguro)
- B - Hose (tuyaux, manguera)
- C - Nut (écrou, tuerca)
- D - Hose end (bout du tuyau, extremo de la manguera)

Fig. 5

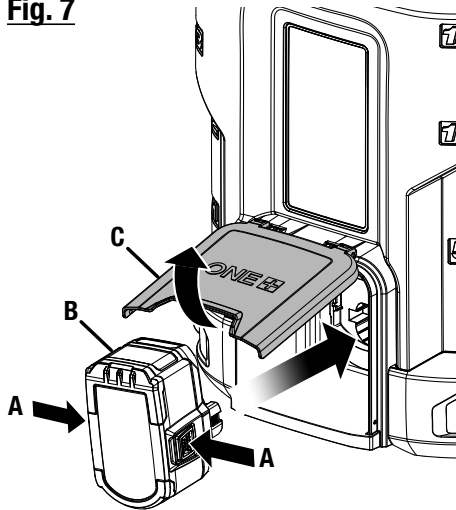


- A - Cap (capuchon, tapa)
- B - Fill area (zone de remplissage, área de llenado)
- C - Tank (réservoir, tanque)

Fig. 6

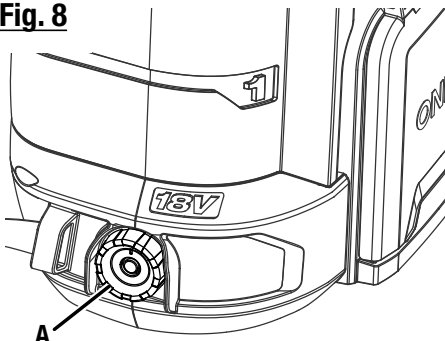


Fig. 7



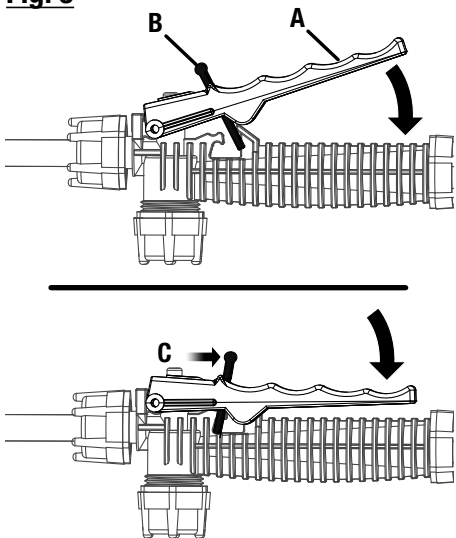
- A - Depress latches to release battery pack (appuyer sur les loquets pour libérer le bloc-pile, para soltar el paquete de batería oprima los pestillos)
- B - Battery pack (bloc-piles, paquete de batería)
- C - Battery cover (couvercle des piles, tapa de las baterías)

Fig. 8



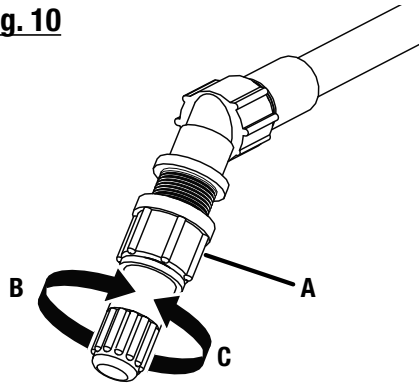
- A - Control knob (bouton de commande, perilla de control)

Fig. 9



- A - Trigger (gâchette, gatillo)
- B - Locking tab (languette de verrouillage, orejeta de aseguramiento)
- C - To lock (pour verrouiller, para asegurar)

Fig. 10

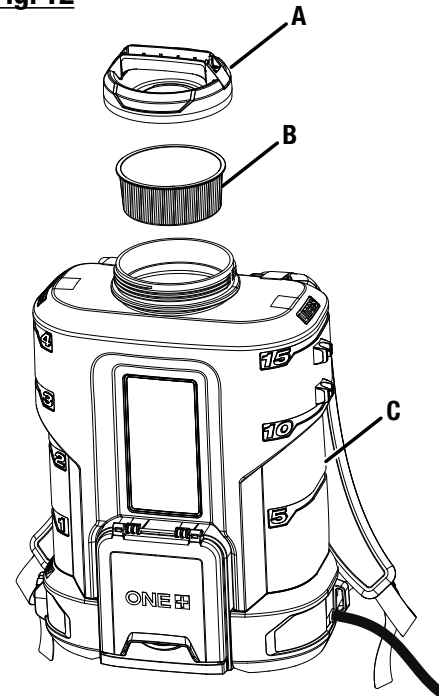


- A - Cone nozzle (buse conique, boquilla tipo cono)
- B - Tighten for cone spray (serrer pour obtenir le jet en cône, ajuste para el rociado en forma de cono)
- C - Loosen for stream (dévisser pour jet, afloje para formar un chorro)

Fig. 11

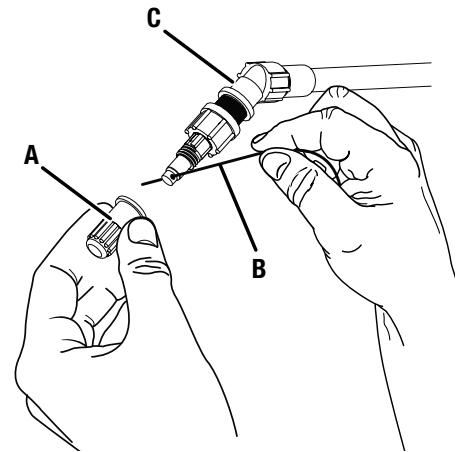


Fig. 12



- A - Cap (capuchon, tapa)
- B - Strainer (crépine, tamiz)
- C - Tank (réservoir, tanque)

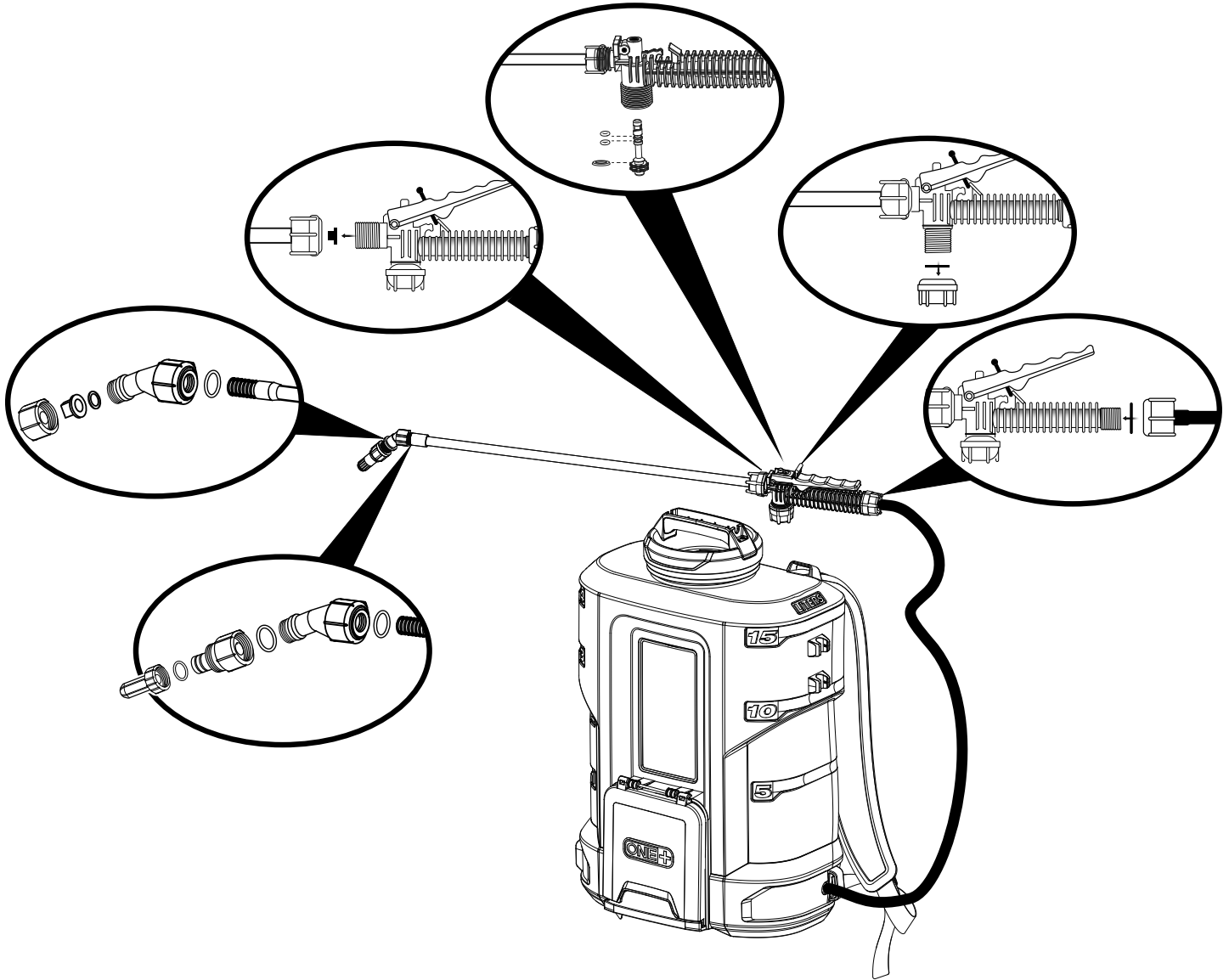
Fig. 13



- A - Cone nozzle (buse conique, boquilla tipo cono)
- B - Wire (fil, alambre)
- C - 45° elbow (coude à 45°, codo de 45°)

Fig. 14

**SEAL LOCATIONS
EMPLACEMENT DE CHAQUE JOINT D'ÉTANCHÉITÉ
UBICACIÓN DE CADA UNO DE LOS SELLOS**



IMPORTANT SAFETY INSTRUCTIONS



WARNING:

READ THESE INSTRUCTIONS. Failure to follow all instructions listed below, may result in electric shock, fire and/or serious personal injury.

READ ALL INSTRUCTIONS BEFORE USING APPLIANCE

- **Know your chemical sprayer.** Read and understand the operator's manual and observe the warnings and instruction labels affixed to the tool.
- **Do not operate the product in explosive atmospheres, such as in the presence of flammable liquids, gases or dust.** Power tools create sparks which may ignite the dust or fumes.
- **Do not allow bystanders or children in the area while operating this product.** Exposure to some chemicals can be hazardous.
- **This product is suitable for indoor and outdoor use.**
- **Do not expose power tools to rain or wet conditions.** Water entering a power tool will increase the risk of electric shock.
- **Stay alert, watch what you are doing and use common sense when operating this product. Do not use while you are tired or under the influence of drugs, alcohol or medication.** A moment of inattention while operating this product may result in serious personal injury.
- **Dress properly. Do not wear loose clothing or jewelry. Contain long hair. Keep your hair, clothing, and gloves away from moving parts.** Loose clothes, jewelry, or long hair can be caught in moving parts.
- **Use safety equipment. Always wear eye protection with side shields or goggles and a dust mask.** Protect eyes, skin and lungs against drifting spray and during mixing, filling, and cleaning.
- **Do not overreach. Keep proper footing and balance at all times. Do not use on a ladder or unstable support.** Stable footing on a solid surface enables better control of the product in unexpected situations.
- **Do not use the product if the switch does not turn it on and off.** Any product that cannot be controlled with the switch is dangerous and must be repaired.
- **Store the product out of the reach of children and do not allow persons unfamiliar with the product or these instructions to operate the product.**
- **Do not expose a battery pack or appliance to fire or excessive temperature.** Exposure to fire or temperature above 265°F may cause explosion.
- **Keep the sprayer and its handle dry, clean and free from oil and grease.** Always use a clean cloth when cleaning. Never use brake fluids, gasoline, petroleum-based products, or any strong solvents to clean your tool. Following this rule will reduce the risk of loss of control and deterioration of the enclosure plastic.
- **Use this product in accordance with these instructions and in the manner intended, taking into account the working conditions and the work to be performed.** Use of the product for operations different from those intended could result in a hazardous situation.
- **Avoid accidental starting. Ensure the switch is in the off position before inserting battery pack.** Inserting the battery pack into products that have the switch on invites accidents.
- **Use the product only with specifically designated battery packs.** Use of any other battery packs may create a risk of injury and fire.
- **Use this product only with batteries and chargers listed in tool/appliance/battery pack/charger correlation supplement 987000-432.**
- **When battery pack is not in use, keep it away from other metal objects like paper clips, coins, keys, nails, screws, or other small metal objects that can make a connection from one terminal to another.** Shorting the battery terminals together may cause burns or a fire.
- **Under abusive conditions, liquid may be ejected from the battery, avoid contact. If contact accidentally occurs, flush with water. If liquid contacts eyes, additionally seek medical help.** Liquid ejected from the battery may cause irritation or burns.
- **Have this product serviced by a qualified repair person using only identical replacement parts.** This will ensure that the safety of the power tool is maintained.
- **When servicing the product, use only identical replacement parts. Follow instructions in the *Maintenance* section of this manual.** Use of unauthorized parts or failure to follow Maintenance instructions may create a risk of shock or injury.
- **Do not let familiarity gained from frequent use of tools allow you to become complacent and ignore tool safety principles.** A careless action can cause severe injury within a fraction of a second.

SPECIFIC SAFETY RULES

IMPORTANT SAFETY INSTRUCTIONS

DANGER:

Risk of fire or explosion. Do not spray flammable liquids such as gasoline. Look for this symbol reference on the container.



WARNING:

Some spray created from products used with the sprayer contains chemicals known to the State of California to cause cancer, birth defect or other reproductive harm. Follow directions on containers of all such products. To reduce your exposure to these chemicals, wear approved safety equipment such as face masks that are specially designed to filter out sprays, gloves, and other appropriate protective equipment.

WARNING:

Before filling the tank, always remove the battery pack. Wipe up any spills before inserting the battery pack. Following this rule will reduce the risk of electric shock and corrosive liquids entering the battery pack, which can cause battery pack failure including short circuit resulting in smoke, fire, and/or serious personal injury.

WARNING:

Do not allow conductive or corrosive fluids to get inside the battery pack. If conductive or corrosive fluids are spilled on the battery, refer to the instructions in your battery operators manual.

- **Before using spray materials in this sprayer, read the label on its original container thoroughly and follow its directions.** Some spray materials are dangerous and should not be used in this sprayer, as they can damage the sprayer and cause serious bodily injury or property damage.
- **Electric shock hazard.** Never spray toward electrical outlets.
- **Do not pour hot or boiling liquids into the tank.** These can weaken or damage the tubes or tank.
- **For household and outdoor use.**
- Spray area must be well ventilated.
- **Avoid spraying on windy days.** Spray can be accidentally blown onto plants or objects that should not be sprayed.
- **Store the sprayer in a secure, well-ventilated indoor space with the fluid tank empty.**
- **Do not use bleach or hydrogen peroxide.**
- **Do not use alcohol based chemicals.**
- **Do not use powders or abrasive chemicals.**
- **Do not use caustic (alkali) or self-heating liquids in this sprayer.**
- **Do not point the sprayer nozzle in the direction of people or pets.**
- **Know the contents of the chemical being sprayed. Read all Safety Data Sheets (SDS) and container labels provided with the chemical.** Follow the chemical manufacturer's safety instructions. It is a violation of federal law to use an EPA-approved chemical in a manner inconsistent with its labeling.
- **Do not leave residue or spray material in the tank after using the sprayer.** Clean after each use.
- **Do not smoke while using the sprayer,** or spray where spark or flame is present.
- **To reduce the risk of fire or explosion use a liquid with a flash point higher than 140°F (60°C).**
- **Risk of injection.** Do not discharge directly against skin.
- **To reduce the risk of electric shock, do not put the sprayer into water or other liquid.** Do not place or store the sprayer where it can fall or be pulled into a tub or sink.
- **Maintain this product. Thoroughly inspect both the inside and outside of the sprayer and examine the components before each use. Check for cracked and deteriorated tanks, leaks, clogged nozzles, and missing or damaged parts. If damaged, have the product repaired before use.** Many accidents are caused by poorly maintained products.
- **Disconnect the battery from the unit before draining, cleaning, or storing the sprayer.** Such preventive safety measures reduce the risk of accidental starting.
- **Always wear eye protection with side shields or goggles marked to comply with ANSI Z87.1.** Failure to do so could result in fluids entering your eyes resulting in possible serious injury.
- **Protect your lungs. Wear a face or dust mask when using the sprayer.** Following this rule will reduce the risk of serious personal injury. Follow the chemical manufacturer's safety instructions and guidelines listed on the SDS sheet.
- **Battery tools do not have to be plugged into an electrical outlet; therefore, they are always in operating condition. Be aware of possible hazards when not using your battery tool or when changing accessories. Remove battery pack when tool is not in use.**

SPECIFIC SAFETY RULES

Following this rule will reduce the risk of electric shock, fire, or serious personal injury.

- **Do not place battery tools or their batteries near fire or heat.** This will reduce the risk of explosion and possibly injury.
- **Do not crush, drop or damage battery pack. Do not use a battery pack or charger that has been dropped or received a sharp blow.** A damaged battery is subject to explosion. Properly dispose of a dropped or damaged battery immediately.
- **Batteries can explode in the presence of a source of ignition, such as a pilot light.** To reduce the risk of serious personal injury, never use any cordless product in the presence of open flame. An exploded battery can propel debris and chemicals. If exposed, flush with water immediately.
- **Do not charge battery tool in a damp or wet location.** Following this rule will reduce the risk of electric shock.
- **Under extreme usage or temperature conditions, battery leakage may occur. If liquid comes in contact with your skin, wash immediately with soap and water. If liquid gets into your eyes, flush them with clean water for at least 10 minutes, then seek immediate medical attention.** Following this rule will reduce the risk of serious personal injury.
- **Do not use battery-operated appliance in rain.**
- **Exercise care in handling batteries in order not to short the battery with conducting materials such as rings, bracelets, and keys.** The battery or conductor may overheat and cause burns
- **Do not dispose of the battery(ies) in a fire.** The cell may explode. Check with local codes for possible special disposal instructions.
- **Do not open or mutilate the battery(ies).** Released electrolyte is corrosive and may cause damage to the eyes or skin. It may be toxic if swallowed.
- **Avoid Dangerous Environment** - Don't use appliances in damp or wet locations.

- **Use Right Appliance** - Do not use appliance for any job except that for which it is intended.
- **Don't Force Appliance** - It will do the job better and with less likelihood of a risk of injury at the rate for which it was designed.
- **Store Idle Appliances Indoors** - When not in use, appliances should be stored indoors in dry, and high or locked-up place - out of reach of children.
- **Maintain Appliance With Care** - Keep clean for best performance and to reduce the risk of injury. Follow instructions for changing accessories. Inspect appliance cord, and if damaged, have it repaired by an authorized service facility. Keep handles dry, clean, and free from oil and grease.
- **Check Damaged Parts** - Before further use of the appliance, a guard or other part that is damaged should be carefully checked to determine that it will operate properly and perform its intended function. Check for alignment of moving parts, binding of moving parts, breakage of parts, mounting, and any other condition that may affect its operation. A guard or other part that is damaged should be properly repaired or replaced by an authorized service center unless indicated elsewhere in this manual.

WARNING:

Chemicals and chemical fumes can be hazardous and cause serious injury, permanent damage or death if ingested, inhaled or splashed in eyes or on skin. Follow the chemical manufacturer's safety instructions and guidelines listed on the SDS sheet.




CAUTION:

Keep all body parts out of the spray pattern.








SAVE THESE INSTRUCTIONS

SYMBOLS

The following signal words and meanings are intended to explain the levels of risk associated with this product.

SYMBOL	SIGNAL	MEANING
	DANGER:	Indicates a hazardous situation, which, if not avoided, will result in death or serious injury.
	WARNING:	Indicates a hazardous situation, which, if not avoided, could result in death or serious injury.
	CAUTION:	Indicates a hazardous situation, that, if not avoided, may result in minor or moderate injury.
	NOTICE:	(Without Safety Alert Symbol) Indicates information considered important, but not related to a potential injury (e.g. messages relating to property damage).

Some of the following symbols may be used on this product. Please study them and learn their meaning. Proper interpretation of these symbols will allow you to operate the product better and safer.

SYMBOL	NAME	DESIGNATION/EXPLANATION
	Safety Alert	Indicates a potential personal injury hazard.
	Read Operator's Manual	To reduce the risk of injury, user must read and understand operator's manual before using this product.
	Eye and Breathing Protection	Always wear eye protection with side shields marked to comply with ANSI Z87.1. along with breathing protection.
	Keep Bystanders Away	Keep all bystanders at least 50 ft. away.
	Slippery Surface	Exercise caution to avoid slipping or falling.
	Wet Conditions Alert	Do not expose battery, battery compartment, or electronic components to rain, water, or liquids. Do not charge battery or expose product to rain or damp locations.
	Recycle Symbol	This product uses lithium-ion (Li-ion) batteries. Local, state or federal laws may prohibit disposal of batteries in ordinary trash. Consult your local waste authority for information regarding available recycling and/or disposal options.
V	Volts	Voltage
==	Direct Current	Type or a characteristic of current
PSI	Pressure	Pressure is measured in pounds per square inch

FEATURES

PRODUCT SPECIFICATIONS

Tank Capacity.....4 gal.
Motor.....18 Volt DC

Spray Pressure.....up to 90 psi

KNOW YOUR BACKPACK SPRAYER

See Figure 1.

The safe use of this product requires an understanding of the information on the product and in this operator's manual as well as a knowledge of the project you are attempting. Before use of this product, familiarize yourself with all operating features and safety rules.

ADJUSTABLE SPRAY NOZZLES

Two nozzles are included. The fan nozzle provides a flat spray. The cone nozzle adjusts the flow of liquid from a stream to a cone spray.

PUMP-FREE SPRAYING

The battery-powered sprayer keeps fluid continuously cycling through the tank to allow pump-free spraying.

TANK

The tank is marked for measuring up to 4 gallons of liquid.

TRIGGER WITH LOCK-ON

The trigger can be locked-on for continuous spraying.

ASSEMBLY

UNPACKING

This product requires assembly.

Carefully remove the product and any accessories from the box. Make sure that all items listed in the **Packing List** are included.

WARNING:

Do not use this product if any parts on the **Packing List** are already assembled to your product when you unpack it. Parts on this list are not assembled to the product by the manufacturer and require customer installation. Use of a product that may have been improperly assembled could result in serious personal injury.

- Inspect the product carefully to make sure no breakage or damage occurred during shipping.
- Do not discard the packing material until you have carefully inspected and satisfactorily operated the product.
- If any parts are damaged or missing, please call 1-800-525-2579 for assistance.

PACKING LIST

Backpack Sprayer
Spray Wand
Nozzles (2)
Replacement Seals
Operator's Manual

WARNING:

If any parts are damaged or missing do not operate this product until the parts are replaced. Use of this product with damaged or missing parts could result in serious personal injury.

WARNING:

Do not attempt to modify this product or create accessories not recommended for use with this product. Any such alteration or modification is misuse and could result in a hazardous condition leading to possible serious personal injury.

WARNING:

To prevent accidental starting that could cause serious personal injury, always remove the battery pack from the product when assembling parts.

CONNECTING THE SPRAY WAND TO THE TRIGGER HANDLE

See Figure 2.

- Insert the spray wand into the handle as shown.
- Slide the o-ring down until it touches the handle.
- Thread the cap onto the handle and tighten securely.
- Pull on the spray wand to be certain it is properly secured.

ASSEMBLY

- When not in use, place the assembled trigger handle into the handle storage area on the cap or on the side of the tank.

ATTACHING A NOZZLE

See Figure 3.

Two nozzles are provided with the backpack sprayer. The cone nozzle comes already attached to the 45° elbow. Both nozzles can be used with or without the elbow.

- Thread the elbow onto the end of the spray wand. Hand tighten.
- Attach a nozzle by threading it onto the elbow. Make sure the connection is secure. Do not overtighten.

- If necessary, loosen the nut holding the spray wand to the trigger handle. Rotate the wand until it is aligned with the nozzle pointing downward and ready for use.
- Hand tighten. Do not overtighten.

ATTACHING THE HOSE

See Figure 4.

The hose comes preassembled to the trigger handle. If it becomes loose, follow the instructions below.

- Slide the nut on the hose away from the hose end.
- Insert the hose into the handle as shown.
- Slide the nut over the hose and onto the handle. Hand tighten. Do not overtighten.

OPERATION

WARNING:

Do not allow familiarity with the product to make you careless. Remember that a careless fraction of a second is sufficient to inflict serious injury.

WARNING:

Always wear eye protection with side shields or goggles marked to comply with ANSI Z87.1. Failure to do so could result in fluids entering your eyes resulting in possible serious injury.

WARNING:

Do not use any attachments or accessories not recommended by the manufacturer of this product. The use of attachments or accessories not recommended can result in serious personal injury.

WARNING:

Use safety equipment. Protect your eyes, skin, and lungs while mixing, filling, spraying, and cleaning. Failure to do so may result in serious personal injury and damage to property.

NOTICE:

Before each use, inspect the entire product for damaged, missing, or loose parts such as screws, nuts, bolts, caps, etc. Tighten securely all fasteners and caps and do not operate this product until all missing or damaged parts are replaced. Please contact customer service or an authorized service center for assistance.

APPLICATIONS

You may use this product for the purpose listed below:

- For use with most consumer grade home and garden chemicals such as insecticides, fungicides, weed killers and fertilizers

WARNING:

Improper application of chemicals or solutions can result in SEVERE INJURY or DEATH. Follow all CDC and EPA guidelines. Follow the chemical manufacturer's safety instructions and guidelines listed on the SDS sheet.

OPERATION

FILLING THE TANK

See Figures 5 - 6.

WARNING:

Before filling the tank, always remove the battery pack and ensure the battery cover is closed. Wipe up any spills before inserting the battery pack. Following this rule will reduce the risk of electric shock and corrosive liquids entering the battery pack, which can cause battery pack failure including short circuit resulting in smoke, fire, and/or serious personal injury.

WARNING:

Always follow the chemical manufacturer's instructions printed on their product labeling for use, cleaning, and storage. Do not combine chemicals. Clean thoroughly after each use, following the instructions in the *Maintenance* section of this manual. Chemicals should be stored out of the reach of children. Failure to do so may result in serious personal injury.

WARNING:

Do not allow conductive or corrosive fluids to get inside the battery pack. If conductive or corrosive fluids are spilled on the battery, refer to the instructions in your battery operators manual.

When adding spray solutions, you may add water and the desired chemical solution directly into the tank, or use a solution that has been premixed in a separate container, then poured into the sprayer, using a funnel if needed. For either method, remember:

- Liquids used must be as thin as water. Thicker liquids will not spray properly.
- Do not overfill the tank.

NOTE: If using a measuring container or funnel to fill the tank, be sure to thoroughly clean and rinse these items after use. If premixing the spraying solution, rinse the container used for mixing.

To fill:

- Remove the battery pack.
- Unscrew the cap and remove it from the tank.
- Fill the tank with the desired amount of liquid (up to 4 gallons).

NOTE: To ensure proper operation of the sprayer, do not fill past the max fill line.

- Screw the cap back onto the sprayer, making sure it is tightened securely.

NOTE: Wipe the outside of the tank with a dry cloth and clean up any spills before inserting the tank.

- Reinstall the battery pack.

NOTICE:

It is important to thoroughly clean the unit after each use. Allowing liquid to remain in an idle tool for an extended period may cause its moving pieces and connectors to seize up.

INSTALLING/REMOVING BATTERY PACK

See Figure 7.

WARNING:

Always remove battery pack from your tool when you are assembling parts, making adjustments, cleaning, or when not in use. Removing battery pack will prevent accidental starting that could cause serious personal injury.

To install:

- Raise the battery cover.
- Align the raised rib on the battery pack with groove in the battery port and place the battery pack in the tool.
- Make sure the latches on each side of the battery pack snap in place and that the battery pack is secured in the tool before beginning operation.
- Lower the battery cover.

To remove:

- Depress the latches on both sides of the battery pack to release the battery pack and remove it from the tool.

WARNING:

Risk of fire or explosion. Spray area must be well-ventilated and away from sparks or flames.

TURNING THE SPRAYER ON/OFF

See Figures 8 - 9.

- Turn the control knob clockwise to turn the sprayer ON and to adjust fluid pressure.
- Turn the control knob clockwise to increase the pressure and counterclockwise to decrease the pressure.

NOTE: To apply more spray to an area, increase the pressure. To apply less spray, decrease the pressure.

- To start the flow of liquid at the spray wand, squeeze the trigger.

OPERATION

- To stop the flow of liquid at the spray wand, release the trigger.
- Turn the control knob completely counterclockwise to turn the sprayer OFF.

LOCK-ON

See Figure 9.

The lock-on feature is convenient when spraying for an extended period of time or when covering a large area.

- To lock-on, squeeze the trigger and slide the locking tab backward.
- To release the lock-on, squeeze the trigger and slide the locking tab forward.

NOTE: Make sure the trigger is not locked on before inserting the battery pack into the sprayer.

ADJUSTING THE CONE SPRAY NOZZLE

See Figure 10.

The cone spray nozzle can be adjusted from a stream to a cone spray.

- Remove the battery pack from the tool.
- Loosen the nozzle for a stream.
- Tighten the nozzle for a cone spray.

USING THE SPRAYER

See Figure 11.



WARNING:

Improper application of cleaning solution can result in SEVERE INJURY or DEATH. Follow CDC and EPA guidelines for cleaning. Follow the chemical manufacturer's safety instructions and guidelines listed on the SDS sheet.



WARNING:

Risk of fire or explosion. Spray area must be well-ventilated and away from sparks or flames.

- Install the battery pack into the tool.
- Turn the control knob clockwise to turn the sprayer ON.
- Set desired pressure.

- Slip arm through harness strap and onto shoulder, then repeat for the other shoulder. Adjust the straps to a comfortable position.

- Direct the sprayer nozzle directly at the surface areas you wish to treat.

NOTE: Make sure to stand far enough from the object being sprayed to prevent the spray from splashing back onto you.

- Squeeze and hold the switch trigger while the unit primes. This may take several seconds. Continue holding the trigger until unit begins to spray.

- If there is an issue with unit priming, completely fill the tank with warm, soapy water (common dish soap will work), squeeze and hold the trigger until the unit begins to spray.

- Spray on a dry surface using long, even, overlapping strokes.

NOTE: While the sprayer is in use some dripping from the nozzle may occur, this is to be expected.

- Release the trigger to stop the spray.
- When you are finished with the sprayer, take off the shoulder harness.
- Turn off the sprayer and remove the battery pack.
- Unscrew the cap and remove it from the tank.
- Return any unused fluid to its original container, and thoroughly clean the sprayer.
- Thoroughly clean the sprayer and tank before transporting or storing the unit and before switching to a different chemical. See **Cleaning the Unit** later in this manual.
- **NOTE:** Wipe the outside of the tank with a dry cloth and clean up any spills before inserting the tank.
- Thoroughly wash your hands and any area where skin has been exposed to the spray.

OPERATING TIPS

- Never point the spray end of the wand at yourself or others.
- Avoid spraying on windy days. Spray can be accidentally blown onto plants or objects that should not be sprayed.
- Never spray in the direction of people or animals; always spray downwind.
- Never smoke, eat, or drink while operating the sprayer.
- Especially in warmer weather, use sprayer in the early morning or late afternoon. Excessive heat can evaporate the mist before it settles.

MAINTENANCE



WARNING:

To avoid serious personal injury, always remove the battery pack from the tool when cleaning or performing any maintenance.



WARNING:

Always wear eye protection with side shields or goggles marked to comply with ANSI Z87.1. Failure to do so could result in fluids entering your eyes resulting in possible serious injury.



WARNING:

When servicing, use only identical replacement parts. Use of any other parts may create a hazard or cause product damage.

NOTICE:

Periodically inspect the entire product for damaged, missing, or loose parts such as screws, nuts, bolts, caps, etc. Tighten securely all fasteners and caps and do not operate this product until all missing or damaged parts are replaced. Please contact customer service or a qualified service center for assistance.

GENERAL MAINTENANCE

Avoid using solvents when cleaning plastic parts. Most plastics are susceptible to damage from various types of commercial solvents and may be damaged by their use. Use clean cloths to remove dirt, dust, oil, grease, etc.



WARNING:

Do not at any time let brake fluids, gasoline, penetrating oils, etc., come in contact with plastic parts. Chemicals can damage, weaken, or destroy plastic which may result in serious personal injury.

CLEANING THE UNIT

See Figure 12.



WARNING:

Always store and dispose of chemicals properly. Disposal of contaminated rinse water should be performed according to local ordinances and bylaws.

DRAINING THE TANK

If there is any liquid left in the tank after spraying, the tank should be drained before cleaning.

- Remove the battery pack.
- Unscrew the cap and remove it from the tank.
- Remove the strainer from the tank.
- Drain the contents of the tank through the fill area.

NOTE: Drain the contents back into the original container. Do not store chemicals in the tank.

CLEANING THE TANK AND SPRAY LINES

- Fill the tank about one-third full with clean water. A small amount of mild household detergent may be added.
NOTE: Never use flammable chemicals or abrasive cleaning agents to clean the tank.
- Wipe the outside of the tank with a clean, dry cloth.
- Replace the cap.
- Reinstall the battery pack. Spray until the tank has been emptied. Make sure to direct the spray toward an area that will not be damaged by the spray solution.
- Refill and repeat the procedure with clean water. It may be necessary to rinse the tank more than once, then drain again as directed above.
- Allow all pieces to completely dry before reinstalling parts and storing the unit.

NOTE: Store the sprayer in an upright position. **DO NOT** store the sprayer on its side.

CLEANING THE SPRAYER:

- Fill the tank about one-third full with clean water.
NOTE: Never use flammable chemicals or abrasive cleaning agents to clean the tank.
- Review chemical SDS sheet how best to secure and store your chemical solution when not in use.
- Replace the tank cap and tighten securely.
- Reinstall the battery pack. Spray until the tank has been emptied. Make sure to direct the spray toward an area that will not be damaged by the spray solution.
- Refill and repeat the procedure with clean water. It may be necessary to rinse the tank more than once, then drain again as directed above.

MAINTENANCE

- Allow all pieces to completely dry, then reinstall the tank cap.
- Wipe the outside of the sprayer with a clean, dry cloth.

CLEANING THE NOZZLES AND 45° ELBOW

See Figure 13.

To clean nozzles:

- Remove the battery pack.
- Unscrew and remove the nozzle from the spray wand or 45° elbow.
- Using a fine needle, free any foreign materials clogging or restricting the nozzle.
- Using a garden hose, flush debris out of nozzle by back flushing (running the water through the nozzle backwards or from the outside to the inside).
- Reinstall the nozzle

To clean the elbow:

- Remove the battery pack.
- If installed, unscrew and remove the nozzle.
- Push a small wire through the cross holes to clear any debris. If necessary, rinse the cross holes and elbow with clean water.
- Wipe the elbow and cross holes with a clean dry cloth and reinstall the nozzle.

REPLACING SEALS

See Figure 14.



WARNING:

Always follow procedures for draining and cleaning the tank before replacing the seals. Make sure you wear rubber gloves when reaching into the chemical tank. Wash your hands thoroughly afterwards. Failure to follow these instructions can result in a rash, skin irritation, or other serious personal injury if you directly contact some chemicals.

Over time, seals can harden and crack, which can allow the backpack sprayer to leak. A set of replacement seals is included. Refer to the image shown for the location of each of the seals, then replace as needed to address any leaks that develop.

Additional sets of replacement seals can be ordered by contacting customer service.

NOTE: Unthreading the connections to replace the seals could allow liquid to escape, so always clean the backpack sprayer thoroughly as previously described before replacing the seals.

This product has a Three-year Limited Warranty for personal, family, or household use (90 days for business or commercial use). For warranty details, visit www.ryobitools.com or call (toll free) 1-800-525-2579.

INSTRUCTIONS IMPORTANTES CONCERNANT LA SÉCURITÉ



AVERTISSEMENT :

LIRE CES INSTRUCTIONS. Le non-respect de toutes les instructions ci-dessous peut entraîner un choc électrique, un incendie et / ou des blessures graves.

LIRE TOUTES LES INSTRUCTIONS AVANT D'UTILISER L'APPAREIL

- **Apprenez à connaître votre pulvérisateur de produits chimiques.** Lisez et veillez à bien comprendre ce guide d'utilisation et conformez-vous aux avertissements et aux instructions apposées sur la boîte.
- **N'utilisez pas le produits dans des atmosphères explosives, en présence des liquides, des gaz ou des poussières inflammables.** Les outils électriques génèrent des étincelles qui peuvent enflammer la poussière ou les fumées.
- **Éloigner les spectateurs et les enfants de la zone pendant l'utilisation de ce produit.** L'exposition à quelques produits chimiques représente un risque.
- **Ce produit convient pour l'usage d'intérieur et extérieur.**
- **Ne pas exposer les outils électriques à l'eau ou l'humidité.** La pénétration d'eau dans ces outils accroît le risque de choc électrique.
- **Restez vigilant, regardez ce que vous faites et utilisez votre meilleur jugement lorsque vous utilisez ce produit. N'utilisez pas si vous êtes fatigué ou sous influence de drogues, d'alcool ou de médicaments.** Un moment d'inattention pendant l'utilisation de ce produit peut résulter en une blessure grave.
- **Portez des vêtements appropriés. Ne portez pas de vêtements trop amples ou des bijoux. Attachez des cheveux longs. Gardez vos cheveux, vos vêtements et vos gants à l'écart des pièces en mouvement.** Les pièces en mouvement peuvent happer les vêtements amples, les bijoux et les cheveux longs.
- **Utilisez des dispositifs de sécurité. Toujours porter une protection oculaire avec écrans latéraux ou lunettes de sécurité et une masque anti-poussières.** Protégez les yeux, la peau et les poumons contre les vapeurs en dérive et pendant le mixage, le remplissage et le nettoyage du produit.
- **Ne travaillez pas à bout des bras. Gardez vos pieds fermement au sol et maintenez l'équilibre. N'utilisez pas d'échelles ni de supports instables.** Un bon appui sur une surface solide permet de mieux contrôler le produit dans des situations inattendues.
- **N'utilisez pas le produit s'il est impossible de l'éteindre ou le mettre en marche à l'aide de l'interrupteur.**

Tout produit qui ne peut pas être contrôlé à l'aide de l'interrupteur est dangereux et doit être réparé.

- **Entreposez le produit loin de la portée des enfants et ne permettez pas à des personnes qui ne se sont pas familiarisées avec le produits ou ces instructions d'utiliser le produit.**
- **Ne pas exposer le bloc-piles ou l'outil au feu ou à des températures excessives.** Une exposition au feu ou à une température supérieure à 130 °C (265 °F) peut provoquer une explosion.
- **Gardez le pulvérisateur et sa poignée secs, propres et libres de dépôt d'huile ou de graisse.** Utilisez toujours un chiffon propre pour le nettoyage. N'utilisez jamais de liquide pour freins, d'essence, des produits à base de pétrole ou des solvants forts pour nettoyer votre outil. Le respect de cet avertissement réduira le risque d'une perte de contrôle et de détérioration de boîtier en plastique.
- **Utilisez ce produit conformément à ces instructions et tel que prévu en prenant compte des conditions de travail et de la tâche à effectuer.** L'utilisation du produit à des fins différentes de celles qui ont été prévues pourrait mener à une situation dangereuse.
- **Éviter une mise en marche accidentelle. Assurez-vous que l'interrupteur est en position arrêt avant d'insérer la pile.** L'installation de la pile quand l'interrupteur de l'outil est en position marche augmente le risque d'accidents.
- **Pour recharger les piles, utilisez seulement le chargeur spécifié par le fabricant.** L'usage de tout autre bloc peut créer un risque de blessures et d'incendie.
- **Utiliser ce produit seulement avec la piles et le chargeurs indiqués dans le supplément de raccordement pour chargeur/outils/piles/appareil n° 987000-432.**
- **Quand la pile n'est pas utilisée, gardez-la à l'écart des objets en métal tels que les trombones, les pièces de monnaie, les clés, les clous, les vis ou d'autres petits objets métalliques qui pourraient connecter les bornes.** Des bornes court-circuitées pourraient causer des brûlures ou un incendie.
- **Du liquide peut être éjecté de la pile en cas de manutention abusive, évitez tout contact. En cas de contact accidentel, rincez avec beaucoup d'eau. Si le liquide pénètre dans vos yeux, il faut aussi consulter un médecin.** L'électrolyte qui s'échappe de la pile peut causer des démangeaisons ou des brûlures.
- **Faites réparer votre outil électrique par un réparateur qualifié qui utilise des pièces de rechange identiques aux pièces d'origine.** Le maintien de la sûreté de l'outil électrique sera ainsi assuré.

INSTRUCTIONS IMPORTANTES CONCERNANT LA SÉCURITÉ

- Lors de réparation du produit, utilisez seulement des pièces identiques aux pièces d'origine. Suivez les instructions contenues dans la section *Entretien* de ce manuel. L'utilisation des pièces non-autorisées ou défaut de suivre les instructions d'Entretien peut provoquer un risque de choc électrique ou de blessure.
- Malgré votre expérience acquise par l'utilisation fréquente des outils, soyez toujours vigilant et respectez les principes de sécurité relatifs aux outils. Il s'agit d'une fraction de seconde pour qu'un geste irréfléchi puisse causer de graves blessures.

RÈGLES DE SÉCURITÉ PARTICULIÈRES

INSTRUCTIONS IMPORTANTES CONCERNANT LA SÉCURITÉ

DANGER :

Risque d'incendie ou d'explosion. Ne pulvérisiez pas de liquides inflammables tels que l'essence. Cherchez ce symbole de référence sur le contenant.



AVERTISSEMENT :

Certains vapeurs des produits utilisés avec ce pulvérisateur contiennent des produits chimiques connus par l'Etat de Californie pour provoquer le cancer, des défauts de naissance ou autres dommages de reproduction. Suivez les instructions sur les contenants de tous ces produits. Pour réduire l'exposition à ces produits chimiques, portez des vêtements de sécurité approuvés tels que les masques faciaux spécialement conçues pour filtrer les vapeurs, les gants et d'autre équipement de protection.

AVERTISSEMENT :

Avant de remplir le réservoir, toujours enlever le bloc-piles. Essuyer tout déversement avant d'insérer le bloc-piles. Suivre ce règlement réduira le risque de choc électrique et empêchera les liquides de s'infiltrer dans le bloc-piles, ce qui pourrait entraîner un défaut du bloc-piles incluant un court-circuit qui pourrait causer de la fumée, du feu et des blessures corporelles graves.

AVERTISSEMENT :

Ne pas laisser des liquides hautement conducteurs ou corrosifs s'infiltrer dans le bloc-piles. Si vous renversez des liquides conducteurs ou corrosifs sur la pile, se référer aux instructions dans le manuel d'utilisation de la pile.

- Avant d'utiliser des bouillies dans ce pulvérisateur, lisez attentivement l'étiquette du contenant original et suivez les instructions. Certains mélanges de pulvérisation sont dangereux et ne devraient pas être utilisés avec ce pulvérisateur parce qu'ils peuvent endommager l'outil et causer des sérieuses blessures et des dommages matériels.
- **Risque d'un choc électrique.** Ne pulvérisiez jamais dans la direction des prises de courant.
- **Ne versez pas des liquides chauds ou bouillants dans le réservoir.** Ils peuvent affaiblir ou endommager le tuyau ou le réservoir.
- **Pour usage domestique et extérieur.**
- **L'aire de pulvérisation doit être aérée.**
- **Evitez rociar en días ventosos.** El rocío puede ser dirigido accidentalmente hacia plantas u objetos que no deberían ser rociados.
- **Entreposez le pulvérisateur à l'intérieur, dans un endroit sûr et bien ventilé après avoir vidé le réservoir de liquide.**
- **Ne pas utiliser d'agent de blanchiment ou peroxyde d'hydrogène.**
- **Ne pas utiliser de produits chimiques à base d'alcool.**
- **Ne pas utiliser de poudres ou de produits chimiques abrasifs.**
- **Ne pas utiliser de liquides caustiques (alcalis) ou auto-chauffants dans ce pulvérisateur.**
- **Ne pas diriger la soufflante vers des personnes ou des animaux.**

RÈGLES DE SÉCURITÉ PARTICULIÈRES

- **Prendre connaissance des emballages avant de pulvériser les produits chimiques. Lire toutes les fiches signalétiques et les étiquettes du contenant fournies avec le produit chimique.** Suivre les mesures de sécurité du fabricant de produits chimiques. Utiliser un chimique approuvé par l'EPA d'une manière non conforme à son étiquetage constitue une infraction à la loi fédérale.
- **Ne laissez pas de résidus ou de bouillie dans le réservoir après avoir utilisé le pulvérisateur.** Nettoyez après chaque usage.
- **Ne fumez pas quand vous utilisez le pulvérisateur, et n'utilisez pas l'outil en présence des étincelles ou des flammes.**
- **Pour réduire le risque d'incendie ou d'explosion, utiliser un liquide ayant un point d'ignition supérieur à 60 °C (140 °F).**
- **Risque d'injection.** Ne déversez pas directement sur la peau.
- **Pour réduire le risque de choc électrique, ne submergez pas le pulvérisateur dans l'eau ou tout autre liquide.** Ne placez pas et n'entreposez pas le pulvérisateur dans un endroit où il peut tomber ou être tiré dans un évier ou une baignoire.
- **Entretenez ce produit. Inspectez attentivement l'intérieur et l'extérieur ainsi que les composants avant chaque usage. Vérifier si les réservoirs sont fissurés ou détériorés, les fuites, les gicleurs bouchés et les pièces manquantes ou endommagées. En cas de dommages, faites réparer le produit avant l'utilisation.** Plusieurs accidents sont causés par des produits mal entretenus.
- **Déconnectez la pile de l'unité avant de vider, nettoyer ou entreposer le pulvérisateur.** De telles mesures de prévention réduisent le risque d'une mise en marche accidentelle.
- **Toujours porter une protection oculaire avec écrans latéraux ou lunettes de sécurité certifiée conforme à la norme ANSI Z87.1.** Le non-respect de cette règle peut faire en sorte que des liquides soient projetés dans vos yeux, ce qui peut entraîner des blessures graves.
- **Protégez vos poumons. Portez un masque faciale ou anti-poussières quand vous utilisez le pulvérisateur.** Le respect de cet avertissement réduira le risque des blessures graves. Respecter les instructions de sécurité et les directives du fabricant de produits chimiques indiquées dans la fiche de données de sécurité.
- **Les outils fonctionnant sur piles n'ayant pas besoin d'être branchés sur une prise de courant, ils sont toujours en état de fonctionnement. Tenir compte des dangers possibles lorsque l'outil n'est pas en usage et lors du remplacement des piles. Retirer le bloc-piles dès la fin de l'utilisation de l'outil.** Le respect de cette consigne réduira les risques d'incendie, de choc électrique et de blessures graves.
- **Ne pas placer les outils électriques sans fil ou leurs batteries à proximité de flammes ou d'une source de chaleur.** Ceci réduira les risques d'explosion et de blessures.
- **Ne pas écraser, faire tomber ou endommager le bloc de piles. Ne jamais utiliser un bloc de piles ou un chargeur qui est tombé, a été écrasé, a reçu un choc violent ou a été endommagé de quelque façon que ce soit.** Une pile endommagée risque d'exploser. Éliminer immédiatement toute pile endommagée, selon une méthode appropriée.
- **Les piles et peuvent exploser en présence d'une source d'allumage, telle qu'une veilleuse.** Pour réduire les risques de blessures graves, ne jamais utiliser un appareil sans fil, quel qu'il soit, en présence d'une flamme vive. En explosant, une pile peut projeter des débris et des produits chimiques. En cas d'exposition, rincer immédiatement les parties atteintes avec de l'eau.
- **Ne pas recharger un outil fonctionnant sur piles dans un endroit humide ou mouillé.** Le respect de cette règle réduira les risques de choc électrique.
- **Si l'outil est utilisé de façon intensive ou sous des températures extrêmes, des fuites de pile peuvent se produire. En cas de contact du liquide avec la peau, rincez immédiatement la partie atteinte avec de l'eau savonneuse. En cas d'éclaboussure dans les yeux, rincez-les à l'eau fraîche pendant au moins 10 minutes, puis contactez immédiatement un médecin.** Le respect de cette consigne réduira les risques de blessures graves.
- **Ne pas utiliser d'appareil alimenté par pile sous la pluie.**
- **Prendre soin de manipuler les piles de manière à éviter le court-circuitage avec des matières conductrices comme les bagues, bracelets et clé.** La pile ou le conducteur peut surchauffer et causer des brûlures.
- **Ne pas jeter les piles dans un feu.** La pile peut exploser. Consulter les règlements locaux pour connaître les dispositions spéciales de mise au rebut.
- **Ne pas ouvrir ou endommager les piles.** La fuite d'électrolyte est corrosive et peut occasionner des blessures aux yeux ou à la peau. L'électrolyte est toxique lorsqu'avalé.
- **Éviter les environnements dangereux -** Ne pas utiliser d'appareils dans des endroits humides ou mouillés.
- **Utiliser le bon appareil -** Ne pas utiliser d'appareil pour tout travail pour lequel il n'a pas été conçu.
- **Ne pas forcer un appareil -** Ce dernier n'améliorera pas le travail et sera plus sûr s'il est utilisé selon le rythme pour lequel il a été conçu.
- **Ranger les appareils à énergie vampire à l'intérieur -** Lorsqu'ils ne sont pas utilisés, les appareils peuvent être rangés à l'intérieur dans un endroit sec, élevé ou sous clé et hors de portée des enfants.

RÈGLES DE SÉCURITÉ PARTICULIÈRES

- **Entretien l'appareil avec soins** - Garder l'appareil propre afin d'obtenir une performance optimale et réduire le risque de blessures. Suivre les instructions pour changer les accessoires. Inspecter périodiquement le cordon d'alimentation et, s'il est endommagé, le faire réparer par un centre de réparations agréé. Garder les mains propres, sèches, sans graisse ou lubrifiant.
- **S'assurer que les pièces sont en bon état** - Avant d'utiliser à nouveau l'appareil, un protecteur endommagé ou une pièce brisée doit être vérifié soigneusement afin de déterminer le bon état de fonctionnement et de performance pour lequel il a été conçu. S'assurer du bon alignement des pièces mobiles, que les pièces mobiles sont perpendiculaires et intactes, que les pièces sont installées correctement et qu'aucune condition ne nuise au bon fonctionnement. Un protecteur brisé ou toute autre pièce endommagée doit être réparé ou remplacé par un centre de réparations agréé, sauf s'il en est indiqué autrement dans ce manuel.



AVERTISSEMENT :

Les produits chimiques ou les vapeurs chimiques peuvent être dangereux et provoquer des blessures graves, des dommages permanents ou la mort, s'ils sont ingérés, inhalés ou éclaboussés dans les yeux ou sur la peau. Respecter les instructions de sécurité et les directives du fabricant de produits chimiques indiquées dans la fiche de données de sécurité.



ATTENTION :

Tenir toutes les parties du corps à l'écart de la configuration de pulvérisation.

CONSERVER CES INSTRUCTIONS








SYMBOLES

Les termes de mise en garde suivants et leur signification ont pour but d'expliquer le degré de risques associé à l'utilisation de ce produit.

SYMBOLE	SIGNAL	SIGNIFICATION
	DANGER :	Indique une situation dangereuse qui, si elle n'est pas évitée, aura pour conséquences des blessures graves ou mortelles.
	AVERTISSEMENT :	Indique une situation dangereuse qui, si elle n'est pas évitée, pourrait entraîner des blessures graves ou mortelles.
	ATTENTION :	Indique une situation dangereuse qui, si elle n'est pas évitée, pourrait entraîner des blessures légères ou de gravité modérée.
	AVIS :	(Sans symbole d'alerte de sécurité) Indique les informations jugées importantes sans toutefois représenter un risque de blessure (ex. : messages concernant les dommages matériels).

SYMBOLES

Certains des symboles ci-dessous peuvent être utilisés sur produit. Veiller à les étudier et à apprendre leur signification. Une interprétation correcte de ces symboles permettra d'utiliser produit plus efficacement et de réduire les risques.

SYMBOLE	NOM	DÉSIGNATION / EXPLICATION
	Symbole d'alerte de sécurité	Indique un risque de blessure potentiel.
	Lire manuel d'utilisation	Pour réduire les risques de blessures, l'utilisateur doit lire et veiller à bien comprendre le manuel d'utilisation avant d'utiliser ce produit.
	Protection oculaire et respiration	Toujours porter une protection oculaire avec écrans latéraux certifiée conforme à la norme ANSI Z87.1. ainsi qu'un protection respiration.
	Ne laisser personne s'approcher	Garder les badauds à une distance de 15 m (50 pi) minimum.
	Surface glissante	Faire preuve de prudence pour éviter de glisser ou tomber.
	Avertissement concernant l'humidité	Ne pas exposer la pile, le compartiment de la pile, ou les composants électroniques à la pluie, l'eau ou d'autres liquides. Ne pas charger la pile ou exposer la produit à la pluie ou des endroits humides.
	Symboles de recyclage	Ce produit utilise les piles de lithium-ion (Li-ion). Les réglementations locales ou gouvernementales peuvent interdire de jeter les piles dans les ordures ménagères. Consulter les autorités locales compétentes pour les options de recyclage et/ou l'élimination.
V	Volts	Tension
==	Courant continu	Type ou caractéristique du courant
PSI	Pression	La pression est mesurée en livres par pouce carré

CARACTÉRISTIQUES

FICHE TECHNIQUE

- Capacité du réservoir450 ml (15 oz.)
- Moteur 18 V c.c.
- Pression de pulvérisation.....jusqu'à 90 PSI

VEILLER À BIEN CONNAÎTRE LA BRUMISATEUR

Voir la figure 1.

La sécurité d'utilisation de ce produit exige la compréhension des informations apposées sur l'outil et contenues dans ce manuel d'utilisation, ainsi que la connaissance du travail à exécuter. Avant d'utiliser ce produit, familiarisez-vous avec toutes ses fonctions et règles de sécurité.

BUSES DE PULVÉRISATION RÉGLABLE

Deux buses incluses. La buse en éventail pinceau produit un jet plat. La buse conique en cône règle le débit de liquide d'un simple jet se transformant progressivement en jet en cône

PULVÉRISATION SANS POMPAGE

L'alimentation à bloc-piles du pulvérisateur garde un cycle de circulation continu dans le réservoir et permet une pulvérisation sans recours au pompage.

RÉSERVOIR

Le réservoir est marqué pour mesurer jusqu'à 15,1 L (4 gallon) de liquide.

GÂCHETTE AVEC VERROUILLAGE

Le gâchette peut être verrouillé pour pulvériser de manière continue.

ASSEMBLAGE

DÉBALLAGE

Ce produit doit être assemblé.

- Avec précaution, sortir le produit et les accessoires de la boîte. S'assurer que toutes les pièces figurant sur la **Liste de contrôle d'expédition** sont incluses.

AVERTISSEMENT :

Ne pas utiliser le produit si, en le déballant, vous constatez que des éléments figurant dans la **Liste de contrôle d'expédition** sont déjà assemblés. Certaines pièces figurant sur cette liste n'ont pas été assemblées par le fabricant et exigent une installation. Le fait d'utiliser un produit qui a été assemblé de façon inadéquate peut entraîner des blessures.

- Examiner soigneusement le produit pour s'assurer que rien n'a été brisé ou endommagé en cours de transport.
- Ne pas jeter les matériaux d'emballage avant d'avoir soigneusement examiné le produit et avoir vérifié qu'il fonctionne correctement.
- Si des pièces sont manquantes ou endommagées, appeler le 1-800-525-2579.

LISTE DE CONTRÔLE D'EXPÉDITION

Pulvérisateur à dos

Lance d'arrosage

Buses (2)

Joints d'étanchéité de rechange

Manuel d'utilisation

AVERTISSEMENT :

Si des pièces manquent ou sont endommagées, ne pas utiliser ce produit avant qu'elles aient été remplacées. Le fait d'utiliser ce produit même s'il contient des pièces endommagées ou s'il lui manque des pièces peut entraîner des blessures graves.

AVERTISSEMENT :

Ne pas essayer de modifier cet outil ou de créer des accessoires non recommandés. De telles altérations ou modifications sont considérées comme un usage abusif et peuvent créer des conditions dangereuses, risquant d'entraîner des blessures graves.

AVERTISSEMENT :

Pour empêcher un démarrage accidentel pouvant entraîner des blessures graves, toujours retirer le pile de l'produit avant d'assembler des pièces.

RACCORD DE LA LANCE D'ARROSAGE À LA POIGNÉE À GÂCHETTE

Voir la figure 2.

- Insérer la lance d'arrosage dans la poignée comme il est indiqué.
- Glisser le joint torique en O jusqu'à ce qu'il touche la poignée.
- Enfiler le capuchon sur la poignée et serrer fermement.
- Tirer sur la lance d'arrosage pour s'assurer qu'elle est fixée solidement.
- En cas d'inutilisation, placer la poignée à gâchette assemblée dans l'espace de rangement de la poignée sur le capuchon ou sur le côté du réservoir.

ATTACHMENT DE LA BUSE

Voir la figure 3.

Deux buses sont incluses avec le pulvérisateur à dos. La buse conique est déjà fixée sur le coude à 45°. Les deux buses peuvent être utilisées avec ou sans le coude.

- Fileter le coude sur l'extrémité de la lance d'arrosage. Serrer à la main.
- Fileter la buse sur le coude. Assurez-vous que la connexion est sécuritaire. Éviter le serrage excessif.
- Si nécessaire, desserrer l'écrou qui retient la lance d'arrosage sur la poignée de la gâchette. Tourner la lance jusqu'à ce qu'elle soit alignée avec la buse pointant vers le bas et prête à utiliser.
- Serrer à la main. Ne serrez pas excessivement.

ATTACHEMENT DU TUYAU

Voir la figure 4.

Le boyau est déjà raccordé à la poignée à gâchette. Suivre les instructions ci-dessous si le raccordement devient lâche.

- Glisser l'écrou du boyau pour l'éloigner de l'extrémité du boyau.
- Insérer le tuyau dans la poignée comme il est illustré.
- Glisser l'écrou par-dessus le tuyau et dans la poignée. Serrer à la main. Ne pas trop serrer.

UTILISATION

AVERTISSEMENT :

Ne pas laisser la familiarité avec l'produit faire oublier la prudence. Ne pas oublier qu'une fraction de seconde d'inattention peut entraîner des blessures graves.

AVERTISSEMENT :

Toujours porter une protection oculaire ou porter des lunettes avec écrans latéraux certifiée conforme à la norme ANSI Z87.1. Le non respect de cette règle peut faire en sorte que des liquides soient projetés dans vos yeux, ce qui peut entraîner des blessures graves.

AVERTISSEMENT :

Ne pas utiliser d'produits ou accessoires non recommandés par le fabricant pour cet produit. L'utilisation de pièces et accessoires non recommandés peut entraîner des blessures graves.

AVERTISSEMENT :

Utilisez l'équipement de protection. Protégez les yeux, la peau et les poumons pendant le mixage, le remplissage et le nettoyage. Si cette précaution n'est pas prise, des blessures ou des dommages pourraient en résulter.

AVIS :

Avant chaque utilisation, inspecter au complet le produit afin de s'assurer qu'aucune pièce (vis, écrous, boulons, chapeaux, etc.) n'est endommagée, manquante ou desserrée. Serrer solidement toutes les pièces de fixation et les chapeaux et ne pas utiliser le produit tant que toutes les pièces manquantes ou endommagées n'ont pas été remplacées. Se il vous plaît communiquer avec le service à la clientèle ou un centre de réparations qualifié.

APPLICATIONS

Cet produit peut être utilisé pour les applications ci-dessous :

- Pour un usage avec la plupart des produits chimiques de jardin et de maison destinés au grand public, comme les insecticides, les fongicides, les herbicides et les engrais

AVERTISSEMENT :

Une mauvaise application des produits chimiques ou des solutions peut provoquer UNE BLESSURE GRAVE ou LA MORT. Suivre toutes les directives du CDC et de l'EPA. Respecter les instructions de sécurité et les directives du fabricant de produits chimiques indiquées dans la fiche de données de sécurité.

REPLISSAGE DU RÉSERVOIR

Voir les figures 5 et 6.

AVERTISSEMENT :

Avant de remplir le réservoir, toujours enlever le bloc-piles et s'assurer que le couvercle de la pile est fermé. Essuyer tout déversement avant d'insérer le bloc-piles. Suivre ce règlement réduira le risque de choc électrique et empêchera les liquides de s'infiltrer dans le bloc-piles, ce qui pourrait entraîner un défaut du bloc-piles incluant un court-circuit qui pourrait causer de la fumée, du feu et des blessures corporelles graves.

AVERTISSEMENT :

Suivez toujours les instructions des fabricants des produits chimiques relatives à l'utilisation, le nettoyage et l'entreposage imprimées sur l'étiquette de leur produit. Ne combinez pas de produits chimiques. Nettoyez bien après chaque utilisation, conformément aux instruction dans la section *Entretien* de ce manuel. Les produits chimiques doivent être entreposés loin de la portée des enfants. Le non-respect de cet avertissement peut résulter en des blessures graves.

AVERTISSEMENT :

Ne pas laisser des liquides hautement conducteurs ou corrosifs s'infiltrer dans le bloc-piles. Si vous renversez des liquides conducteurs ou corrosifs sur la pile, se référer aux instructions dans le manuel d'utilisation de la pile.

Lorsque vous ajoutez des solutions de vaporisation, vous pouvez ajouter l'eau et la solution chimique désirée directement dans le réservoir, ou vous pouvez utiliser une solution prémélangée dans un autre contenant, et la verser dans le brumisateur à l'aide d'un entonnoir si nécessaire. Pour les deux méthodes, se rappeler :

UTILISATION

- Les liquides utilisés doivent avoir la même consistance que l'eau. Des liquides plus épais ne pourront pas être pulvérisés proprement.
- Ne remplissez pas le réservoir au-delà de la capacité.

NOTE : Si pour mesurer vous utilisez un autre récipient que le bouchon mesureur, ou si vous utilisez un entonnoir pour remplir le réservoir, assurez-vous de bien nettoyer ces articles après l'usage. Si vous pré-mixez la solution de nébulisation, rincez le récipient utilisé pour mélanger.

Pour remplir :

- Retirer le bloc de piles.
- Dévissez le bouchon et enlevez-le du réservoir.
- Remplissez le réservoir avec la quantité de liquide désirée [jusqu'à 15,1 L (4 gallons)].

NOTE : Pour assurer le fonctionnement correct du brumisateur, NE PAS remplir au dessus de la ligne de remplissage maximale.

- Vissez le bouchon au pulvérisateur, assurez-vous qu'il est serré.

NOTE : Essuyer l'extérieur du réservoir avec un linge sec et nettoyer tout déversement avant d'insérer le réservoir

- Réinstallez bloc-piles.

AVIS :

Il est important de bien nettoyer le unité après chaque utilisation. Le fait de laisser de la liquide dans un outil au repos pendant une longue période pourrait entraîner le grippage des pièces mobiles ou des raccords de l'appareil.

INSTALLATION/RETRAIT DU BLOC-PILES

Voir la figure 7.



AVERTISSEMENT :

Toujours retirer la pile de l'outil au moment d'assembler des pièces, d'effectuer des réglages et de procéder au nettoyage, ou lorsque l'outil n'est pas utilisé. Le fait de retirer la pile permet d'empêcher un démarrage accidentel pouvant entraîner des blessures graves.

Installation :

- Soulever le couvercle de pile.
- Aligner la nervure surélevée de le piles avec la rainure du compartiment et insérer le bloc-piles dans le produit.
- S'assurer que ses deux loquets latéraux s'engagent correctement et vérifier que le bloc est solidement assujetti avant d'utiliser l'outil.
- Abaisser le couvercle de pile.

Retrait :

- Appuyer sur les deux loquets se trouvant sur les côtés du bloc-piles pour le séparer de l'outil et retirer le bloc-piles de l'outil.



AVERTISSEMENT :

Risque d'incendie ou d'explosion. L'aire de pulvérisation doit être ventilée et située à l'écart des étincelles et des flammes.

MISE EN MARCHÉ ET ARRÊT DU PULVÉRISATEUR

Voir les figures 8 et 9.

- Tourner le bouton de commande en sens horaire pour mettre le pulvérisateur en MARCHÉ et ajuster la pression du liquide.
- Tourner le bouton de commande en sens horaire pour augmenter la pression et en sens antihoraire pour la réduire.

NOTE : Pour appliquer plus de pulvérisation sur une zone, augmenter la pression. Pour appliquer moins de pulvérisation, réduire la pression.

- Pour amener le liquide à la lance d'arrosage, serrer le gâchette.
- Pour arrêter le débit du liquide dans la lance d'arrosage, relâchez le gâchette.
- Tourner le bouton de commande complètement en sens antihoraire pour mettre le pulvérisateur sur ARRÊT.

VERROUILLAGE

Voir la figure 9.

La fonction verrouillage est utile quand vous pulvériser pendant une période de temps prolongée ou quand vous voulez couvrir une large zone.

- Pour verrouiller, serrer la gâchette et glisser la languette de verrouillage vers l'arrière.
- Pour relâcher la languette de verrouillage, serrer la gâchette et glisser la languette vers l'avant.

NOTE : Assurez-vous que le levier de la soupape n'est pas verrouillé quand vous insérez la batterie dans le pulvérisateur.

RÉGLAGE DE LA BUSE DE PULVÉRISATION À CÔNE

Voir la figure 10.

La buse de pulvérisation en cône peut être réglée en simple jet et se transformer progressivement en jet en cône.

- Retirer le bloc de piles.
- Desserrez le buse pour le jet en continu.
- Serrez le buse pour le jet en cône.

UTILISATION

UTILISATION DU PULVÉRISATEUR

Voir la figure 11.



AVERTISSEMENT :

Une mauvaise application de la solution nettoyante peut provoquer UNE BLESSURE GRAVE ou LA MORT. Respecter les directives du CDC et de l'EPA concernant le nettoyage. Respecter les instructions de sécurité et les directives du fabricant de produits chimiques indiquées dans la fiche de données de sécurité.



AVERTISSEMENT :

Risque d'incendie ou d'explosion. La zone de pulvérisation doit être bien aérée et située loin des étincelles ou des flammes.

- Installez le bloc-piles de l'outil.
- Tourner le bouton de commande en sens horaire pour mettre le pulvérisateur en MARCHÉ.
- Régler la pression désirée.
- Insérer un bras dans la sangle du harnais et positionner la sangle sur l'épaule, puis répéter pour l'autre bras. Ajuster les sangles dans une position confortable.
- Orienter la buse du pulvérisateur directement vers les surfaces à traiter.
NOTE : Assurez-vous de vous tenir assez loin de l'objet arrosé pour que le mélange pulvérisé ne vous éclabousse pas.
- Appuyer sur la gâchette de commutateur et la maintenir enfoncée pendant que l'appareil se remplit. Cela peut prendre quelques secondes. Continuer de maintenir la gâchette de commutateur enfoncée jusqu'à ce que l'appareil commence à pulvériser.
- En cas de problème avec l'amorçage de l'appareil, remplir entièrement le réservoir d'eau chaude et savonneuse (du savon à vaisselle ordinaire fonctionne), presser et maintenir la gâchette appuyée jusqu'à ce que l'appareil commence à pulvériser.

- Pulvériser le liquide sur une surface sèche en effectuant de longues passes qui se chevauchent de manière uniforme.

NOTE : Pendant l'utilisation du pulvérisateur, il se peut que quelques gouttes s'écoulent de la buse; cela est normal.

- Relâchez le gâchette pour arrêter de pulvériser.
- Dès que vous avez terminé avec le pulvérisateur, retirer la bandoulière.
- Arrêter le pulvérisateur et enlever le bloc-piles.
- Dévissez le bouchon et enlevez-le du réservoir.
- Verser toute liquide non utilisée dans son contenant d'origine et bien nettoyer le pulvérisateur.
- Nettoyer en profondeur le pulvérisateur et le réservoir avant de transporter ou de ranger l'appareil, et avant d'utiliser un autre produit chimique. Voir la section sur le **Nettoyage d'unité** plus loin dans le présent manuel.
NOTE : Essuyer l'extérieur du réservoir avec un linge sec et nettoyer tout déversement avant d'insérer le réservoir.
- Se laver soigneusement les mains et bien nettoyer toutes les zones de la peau qui ont été exposées à la pulvérisation.

CONSEILS D'UTILISATION

- Ne pointez jamais le bout de la lance d'arrosage sur vous ou sur les autres.
- Évitez de pulvériser pendant des journées de vent. Le mélange peut être accidentellement soufflé sur les plantes et les objets qui ne doivent pas être pulvérisés.
- Ne pulvériser jamais dans la direction des gens ou des animaux; pulvériser toujours dans la direction du vent.
- Ne fumez, mangez et ne buvez jamais quand vous utilisez le brumisateur.
- Par temps chauds, il est particulièrement important d'utiliser le pulvérisateur tôt le matin ou tard en fin de journée. La chaleur excessive peut faire évaporer le brouillard avant qu'il se dépose.

ENTRETIEN

AVERTISSEMENT :

Pour empêcher un démarrage accidentel pouvant entraîner des blessures graves, toujours retirer le bloc de batterie de l'outil avant tout nettoyage ou entretien.

AVERTISSEMENT :

Toujours porter une protection oculaire ou porter des lunettes avec écrans latéraux certifiée conforme à la norme ANSI Z87.1. Le non respect de cette règle peut faire en sorte que des liquides soient projetés dans vos yeux, ce qui peut entraîner des blessures graves.

AVERTISSEMENT :

Utiliser exclusivement des pièces identiques pour les réparations. L'usage de toute autre pièce pourrait créer une situation dangereuse ou endommager l'produit.

AVIS :

Inspecter périodiquement au complet le produit afin de s'assurer qu'aucune pièce (vis, écrous, boulons, chapeaux, etc.) n'est endommagée, manquante ou desserrée. Serrer solidement toutes les pièces de fixation et les chapeaux et ne pas utiliser le produit tant que toutes les pièces manquantes ou endommagées n'ont pas été remplacées. Pour obtenir de l'aide, veuillez communiquer avec le Service à la clientèle ou un centre de réparations qualifié.

ENTRETIEN GÉNÉRAL

Éviter d'utiliser des solvants pour le nettoyage des pièces en plastique. La plupart des matières plastiques peuvent être endommagées par divers types de solvants du commerce. Utiliser un chiffon propre pour éliminer la saleté, la poussière, l'huile, la graisse, etc.

AVERTISSEMENT :

Ne jamais laisser de liquides tels que le fluide de freins, l'essence, les produits à base de pétrole, les huiles pénétrantes, etc., entrer en contact avec les pièces en plastique. Les produits chimiques peuvent endommager, affaiblir ou détruire le plastique, ce qui peut entraîner des blessures graves.

NETTOYAGE D'UNITÉ

Voir la figure 12.

AVERTISSEMENT :

Entreposez et jetez des produits chimiques conformément aux instructions. L'évacuation de l'eau de rinçage contaminée devrait être effectuée conformément aux règlements locaux.

POUR VIDER LE RÉSERVOIR

S'il y a des restes de liquide dans le réservoir après l'utilisation, le réservoir devrait être vidé avant le nettoyage.

- Retirer le bloc de piles.
- Dévissez le bouchon et enlevez-le du réservoir.
- Retirer la crépine du réservoir.
- Videz le contenu à travers la zone de remplissage.
NOTE : Videz le contenu dans le récipient d'origine. N'entreposez pas les produits chimiques dans le réservoir.

NETTOYAGE DU RÉSERVOIR ET TROUSSE DE LANCE DE PULVÉRISATION

- Remplissez environ un tiers du réservoir avec de l'eau propre. Une petite quantité de détergent ménager peut être ajouté.
NOTE : N'utilisez jamais des produits chimiques inflammables ou des agents de nettoyage corrosifs pour nettoyer le réservoir.
- Essuyer l'extérieur du réservoir avec un linge sec et propre.
- Remettre le bouchon.
- Réinstaller le bloc-piles. Pulvériser jusqu'à ce que le réservoir soit vide. Veiller à orienter la pulvérisation vers une zone que la solution de pulvérisation n'endommagera pas.
- Remplir de nouveau et répéter la procédure avec de l'eau propre. Il peut être nécessaire de rincer le réservoir plus d'une fois, puis de le vider selon les instructions données ci-dessus.
- Attendre que toutes les pièces soient complètement sèches avant de les réinstaller et de ranger l'appareil.
NOTE : Ranger le pulvérisateur en position debout. **NE PAS** ranger le pulvérisateur sur son côté.

NETTOYAGE DU BRUMISATEUR :

- Remplissez environ un tiers du réservoir avec de l'eau propre.
NOTE : N'utilisez jamais des produits chimiques inflammables ou des agents de nettoyage corrosifs pour nettoyer le réservoir.
- Consulter la fiche de données de sécurité du produit chimique, afin de sécuriser et de ranger au mieux votre solution chimique en cas d'inutilisation.

ENTRETIEN

- Remettre le bouchon du réservoir en place et le serrer fermement.
- Réinstallez le bloc-piles de l'outil. Pulvériser jusqu'à vider le réservoir. Assurez-vous d'orienter le jet vers un endroit qui ne sera pas endommagé par la solution de pulvérisation.
- Remplissez de nouveau et répétez la procédure avec de l'eau propre. Il est possible qu'il soit nécessaire de rincer le réservoir plus d'une fois. Dans ce cas videz de nouveau selon les instructions ci-dessus.
- Permettre à toutes les pièces de sécher complètement, puis réinstaller le bouchon du réservoir.
- Essuyer l'extérieur du brumisateur avec un linge propre et sec.

NETTOYAGE DU BUSE ET COUDE À 45°

Voir la figure 13.

Pour nettoyer les buses :

- Retirer le bloc de piles.
- Dévisser et retirer la buse de la baguette de pulvérisation ou du coude à 45°.
- À l'aide d'une aiguille fine, retirer toute matière étrangère engorgeant ou obstruant la buse.
- À l'aide d'un tuyau de jardin, retirer les débris se trouvant dans la buse en effectuant un rinçage à contre-courant (rincer la buse uniquement avec de l'eau en laissant celle-ci couler en sens inverse ou de l'extérieur vers l'intérieur).
- Réinstallez la buse.

Pour nettoyer le coude :

- Retirer le bloc de piles.
- Si installé, dévisser et retirer la buse.
- Poussez un bout de fil à travers les trous pour enlever les débris. Si nécessaire, rincez les trous et le coude avec de l'eau propre.
- Essuyez le coude et les trous avec un chiffon propre et sec et réinstallez la buse.

REPLACER LES JOINTS D'ÉTANCHÉITÉ

Voir la figure 14.



AVERTISSEMENT :

Toujours suivre les procédures de vidange et de nettoyage du réservoir avant de remplacer les joints. S'assurer de porter des gants de caoutchouc lorsque vous mettez vos mains dans le réservoir à produits chimiques. Laver soigneusement vos mains par la suite. Le non-respect de ces instructions peut entraîner une éruption cutanée, une irritation de la peau ou d'autres blessures corporelles graves si vous entrez en contact direct avec des produits chimiques.

Avec le temps, les joints d'étanchéité peuvent durcir et fissurer, ce qui peut faire en sorte que le pulvérisateur à dos coule. Un ensemble de joints d'étanchéité de rechange est compris. Consulter l'image pour voir l'emplacement de chaque joint d'étanchéité, puis les remplacer à besoin pour régler toute fuite qui se crée.

On peut commander des ensembles de joints d'étanchéité de rechange en communiquant avec le service à la clientèle.

NOTE : Dévisser les connexions pour remplacer les joints d'étanchéité peut permettre à du liquide de s'échapper, alors toujours bien nettoyer le pulvérisateur à dos en respectant les directives préalablement décrites avant de remplacer les joints d'étanchéité.

Ce produit est accompagné d'une garantie limitée de trois (3) ans pour utilisation personnel, familiales ou domestiques (90 jours pour utilisation affaires ou commerciaux). Pour obtenir les détails de la garantie, visiter le site www.ryobitools.com ou appeler (sans frais) au 1-800-525-2579.

INSTRUCCIONES DE SEGURIDAD IMPORTANTES



ADVERTENCIA:

LEA ESTAS INSTRUCCIONES. El incumplimiento de las instrucciones señaladas abajo puede causar descargas eléctricas, incendios y lesiones corporales serias.

LEA TODAS LAS INSTRUCCIONES ANTES DE UTILIZAR EL APARATO

- **Conozca su rociador de sustancias químicas.** Lea y comprenda el manual del operador y observe las advertencias y etiquetas de instrucciones adheridas a la herramienta.
- **No utilice el producto en atmósferas explosivas, como las existentes alrededor de líquidos, gases y polvos inflamables.** Las herramientas eléctricas crean chispas que pueden incendiar el polvo o las emanaciones.
- **No permita que haya personas presentes o niños en la zona mientras utiliza este producto.** La exposición a algunos químicos puede ser peligrosa.
- **Este producto es conveniente para el uso de interior y al aire libre.**
- **No exponga las herramientas eléctricas a la lluvia ni a condiciones de humedad.** La introducción de agua en una herramienta eléctrica aumenta el riesgo de descargas eléctricas.
- **Permanezca alerta, preste atención a lo que esté haciendo y use el sentido común al utilizar este producto. No utilice este producto si está cansado o se encuentra bajo los efectos de alguna droga, alcohol o medicamento.** Un momento de descuido al utilizar este producto puede causar lesiones corporales graves.
- **Vístase de manera apropiada. No use ropas holgadas ni joyas. Recójase el cabello si está largo. Mantenga el cabello, la ropa y los guantes alejados de las piezas móviles.** Las ropas holgadas, las joyas y el cabello largo pueden engancharse en las piezas móviles.
- **Use equipo de seguridad. Siempre póngase protección ocular con protección lateral o gafas protectoras y una mascarilla antipolvo.** Protéjase los ojos, la piel y los pulmones del material en suspensión durante las operaciones de mezclado, llenado y limpieza.
- **No se estire demasiado. Mantenga los pies bien asentados y el equilibrio en todo momento. No utilice la unidad al estar en una escalera o en un soporte inestable.** Una postura estable sobre una superficie sólida permite un mejor control del producto en situaciones inesperadas.
- **No use el producto si el interruptor no enciende o no apaga.** Un producto que no puede controlarse con el interruptor es peligroso y debe repararse.
- **Guarde el producto fuera del alcance de los niños y no permita que lo utilicen personas no familiarizadas con él o con estas instrucciones.**
- **No exponga la batería o herramienta al fuego o a temperaturas excesivas.** La exposición al fuego o a una temperatura superior a los 130 °C (265 °F) puede provocar explosiones.
- **Mantenga el rociador y el mango secos, limpios y sin aceite ni grasa.** Siempre utilice un paño limpio para la limpieza de la unidad. Nunca utilice fluidos para frenos, gasolina, productos a base de petróleo ni solventes fuertes para limpiar la herramienta. Con el cumplimiento de esta regla se reduce el riesgo de una pérdida de control y el deterioro del alojamiento de plástico de la unidad.
- **Use este producto de conformidad con estas instrucciones, y de la forma apropiada para la que fue diseñado, tomando en cuenta las condiciones de trabajo y la tarea por realizar.** Si se utiliza este producto para operaciones diferentes de las indicadas podría originar una situación peligrosa.
- **Evite los arranques accidentales. Asegúrese de que el interruptor esté en la posición de apagado antes de colocar la batería.** Introducir el paquete de baterías en un producto que tenga el interruptor en encendido propicia accidentes.
- **Use el producto solamente con baterías específicamente diseñadas.** El uso de cualquier otro tipo de batería puede crear riesgo de lesiones o incendio.
- **Usar este producto únicamente con la baterías y el cargadores indicados en el folleto de la herramienta/aparato/paquete de baterías/cargador complementario 987000-432.**
- **Cuando no se use la batería manténgala alejada de otros objetos de metal como clips para papel, monedas, llaves, clavos, tornillos u otros objetos de metal pequeños que puedan realizar una conexión entre los bornes.** Realizar un corta circuito en los terminales de la batería puede provocar quemaduras o un incendio.
- **Bajo condiciones abusivas, puede salir líquido expulsado de la batería; evite el contacto. Si se produce un contacto accidental, lave con agua. Si el líquido llega a tocar los ojos, además busque atención médica.** El líquido que sale despedido de la batería puede causar irritaciones o quemaduras.
- **Permita que un técnico de reparación calificado preste servicio a este producto, y sólo con piezas de repuesto idénticas.** Esto asegurará que se mantenga la seguridad de la herramienta eléctrica.

INSTRUCCIONES DE SEGURIDAD IMPORTANTES

- **Al dar servicio a este producto, sólo utilice piezas de repuesto idénticas. Siga las instrucciones señaladas en la sección *Mantenimiento* de este manual.** El empleo de piezas no autorizadas o el incumplimiento de las instrucciones de mantenimiento puede significar un riesgo de descarga eléctrica o de lesiones.
- **No permita que la familiaridad obtenida por el uso frecuente de las herramientas lo vuelva complaciente e ignore los principios de seguridad de las herramientas.** Una acción descuidada puede causar lesiones graves en una fracción de segundo.

REGLAS DE SEGURIDAD ESPECÍFICAS

INSTRUCCIONES DE SEGURIDAD IMPORTANTES



PELIGRO:

Riesgo de incendio o explosión. No pulverice líquidos inflamables como gasolina. Busque este símbolo en el recipiente.



ADVERTENCIA:

Algunos vapores creados por los productos utilizados con el rociador contienen sustancias químicas reconocidas por el estado de California como causantes de cáncer, defectos congénitos y otras afecciones del aparato reproductor. Siga las instrucciones de los contenedores de todos esos productos. Para reducir la exposición personal a este tipo de productos químicos, trabaje con equipo de seguridad aprobado, como mascarillas especialmente diseñadas para filtrar los vapores, guantes y otros equipos de protección adecuados.



ADVERTENCIA:

Antes de llenar el tanque, quite siempre el paquete de baterías. Limpie los derrames antes de insertar el paquete de baterías. Si sigue esta regla, reducirá el riesgo de descarga eléctrica o de que líquidos corrosivos ingresen al paquete de baterías, lo que puede causar fallas en el paquete, incluidos cortocircuitos, que pueden resultar en humo, incendio o lesiones personales graves.



ADVERTENCIA:

No permita que fluidos conductores o corrosivos ingresen al paquete de baterías. Si se derraman fluidos conductores o corrosivos en la batería, consulte las instrucciones del manual del operador.

- **Antes de usar cualquier material para pulverizar en este rociador, lea cuidadosamente la etiqueta del contenedor original y siga las instrucciones.** Algunos materiales para pulverizar son peligrosos y no deben utilizarse en este rociador, ya que pueden dañar el rociador y causar lesiones corporales graves y daños a los bienes.
- **Peligro de descarga eléctrica.** Nunca pulverice en dirección de las tomas de corriente de pared.
- **No vierta líquidos calientes ni hirvientes en el tanque.** Pueden debilitar o dañar la manguera o el tanque.
- **Para uso doméstico y exterior.**
- **El área de rociado debe estar bien ventilada.**
- **Évitez de pulvériser pendant des journées de vent.** Le mélange peut être accidentellement soufflé sur les plantes et les objets qui ne doivent pas être arrosés.
- **Guarde el rociador en un espacio interior, seguro y bien ventilado, con el tanque de líquidos vacío.**
- **No use blanqueador o peróxido de hidrógeno.**
- **No use productos químicos a base de alcohol.**
- **No use polvos ni productos químicos abrasivos.**
- **No use líquidos cáusticos (alcalinos) o que se calientan solos en este rociador.**
- **No apunte la boquilla de la sopladora hacia personas o mascotas.**
- **Conozca el contenido de las sustancias químicas que rocía. Lea todas las hojas de datos de seguridad (SDS, por sus siglas en inglés) y las etiquetas de los recipientes que vienen con la sustancia química.** Siga las instrucciones de seguridad del fabricante de la sustancia química. El uso de un desinfectante aprobado por la EPA de una manera inconsistente con las indicaciones de la etiqueta constituye una violación de la ley federal.
- **No deje residuos ni material para rociar en el tanque después de haber usado el rociador.** Límpielo después de cada uso.

REGLAS DE SEGURIDAD ESPECÍFICAS

- **No fume mientras utiliza el rociador, ni rocíe en presencia de chispas o llamas.**
- **Para reducir el riesgo de incendio o explosión, use un líquido desinfectante que tenga un punto de inflamación superior a 60 °C (140 °F).**
- **Riesgo de inyección.** No descargue el rociador directamente sobre la piel.
- **Para reducir el riesgo de descarga eléctrica no sumerja el rociador en agua ni en ningún otro líquido.** No coloque ni guarde el rociador donde pueda caer o ser arrastrado a una bañera o fregadero.
- **Realice el mantenimiento de este producto. Inspeccione cuidadosamente la parte interna y la parte externa del rociador, y examine sus componentes antes de cada uso. Compruebe si el tanque está agrietado o deteriorado, fugas, boquillas tapadas ni piezas faltantes o dañadas. Si está dañado, haga reparar el producto antes de usarlo.** Numerosos accidentes son causados por productos mal cuidados.
- **Desconecte la batería de la unidad antes de drenar, limpiar o guardar el rociador.** Tales medidas preventivas de seguridad reducen el riesgo de arrancar accidentalmente el rociador.
- **Siempre póngase protección ocular con protección lateral o gafas protectoras con la marca de cumplimiento de la norma ANSI Z87.1.** La inobservancia de esta advertencia puede causar el lanzamiento de objetos a los ojos, y por consecuencia posibles lesiones serias.
- **Protéjase los pulmones. Use una careta o mascarilla contra el polvo cuando use el rociador.** Con el cumplimiento de esta regla se reduce el riesgo de lesiones corporales serias. Siga las instrucciones y pautas de seguridad del fabricante del producto químico que figuran en la hoja de datos de seguridad.
- **Las herramientas de baterías no se necesitan conectar a una toma de corriente; por lo tanto, siempre están en condiciones de funcionamiento. Esté consciente de los posibles peligros cuando no esté usando la herramienta de baterías o cuando esté cambiando los accesorios de la misma. Retire el paquete de baterías cuando no esté usando la unidad.** Con el cumplimiento de esta regla se reduce el riesgo de una descarga eléctrica, incendio o lesión corporal seria.
- **No coloque herramientas de baterías ni las baterías mismas cerca del fuego o del calor.** De esta manera se reduce el riesgo de explosiones y de lesiones.
- **No aplaste, deje caer o dañe la batería. Nunca utilice una batería o cargador que se ha caído, aplastado, recibido un golpe contundente o ha sido dañado(a) de alguna manera.** Las baterías dañadas pueden sufrir explosiones. Deseche de inmediato toda batería que haya sufrido una caída o cualquier daño.
- **Las baterías pueden explotar en presencia de una fuente de inflamación, como una luz guía.** Para reducir el riesgo de lesiones corporales serias, nunca use un producto inalámbrico en presencia de llamas expuestas. La explosión de una batería puede lanzar fragmentos y compuestos químicos. Si ha quedado expuesto a la explosión de una batería, lávese de inmediato con agua.
- **No cargue herramientas de baterías en lugares mojados o húmedos.** Con el cumplimiento de esta regla se reduce el riesgo de una descarga eléctrica.
- **En condiciones extremas de uso o temperatura las baterías pueden emanar líquido. Si el líquido llega a tocarle la piel, lávese de inmediato con agua y jabón. Si le entra líquido en los ojos, láveselos con agua limpia por lo menos 10 minutos, y después busque de inmediato atención médica.** Con el cumplimiento de esta regla se reduce el riesgo de lesiones corporales serias.
- **No use aparatos accionados por baterías en la lluvia.**
- **Tenga cuidado cuando maneje baterías a fin de no realizar un cortocircuito en la batería con materiales conductores como anillos, brazaletes y llaves.** La batería o el conductor pueden recalentarse y provocar quemaduras.
- **No deseche las baterías en el fuego.** Las celdas pueden explotar. Verifique los códigos locales para conocer posibles instrucciones especiales para desecharlas.
- **No abra ni desarme las baterías.** Los electrolitos liberados son corrosivos y pueden causar daños en los ojos o la piel. Puede ser tóxico si se ingiere.
- **Evite los entornos peligrosos:** no utilice el artefacto en ubicaciones mojadas o húmedas.
- **Utilice el artefacto adecuado:** no utilice el artefacto para ningún trabajo que no sea para el que está diseñado.
- **No fuerce el artefacto:** hará mejor el trabajo y con menos probabilidades de generar lesiones a la velocidad para la que fue diseñado.
- **Guarde los artefactos ociosos en interiores:** cuando no estén en uso, los artefactos deben guardarse en interiores en un lugar seco, de altura o con llave, fuera del alcance de los niños.
- **Mantenga el artefacto con cuidado:** manténgalo limpio para un mejor rendimiento y para reducir el riesgo de lesiones. Siga las instrucciones para cambiar los accesorios. Inspeccione el cable del artefacto y, si está dañado, haga que lo reparen en un establecimiento de servicio autorizado. Mantenga los mangos secos, limpios y libres de grasa y lubricante.
- **Revise las piezas dañadas:** antes de seguir utilizando el artefacto, es necesario inspeccionar cuidadosamente si hay algún protector o alguna pieza dañados y determinar si funcionará correctamente y realizará la función correspondiente. Verifique la alineación de las

REGLAS DE SEGURIDAD ESPECÍFICAS

piezas móviles y que estas no estén atascadas, que no haya piezas rotas, el montaje de las piezas y cualquier otra condición que pudiera afectar su funcionamiento. Cualquier protección o pieza que esté dañada debe ser reparada apropiadamente o reemplazada en un centro de servicio autorizado, a menos que se indique otra cosa en este manual.



PRECAUCIÓN:

Mantenga todas las partes del cuerpo fuera del patrón de rociado.



ADVERTENCIA:

Los productos químicos o vapores de los químicos pueden ser peligrosos y causar lesiones graves, daños permanentes o la muerte si se ingieren, inhalan o si salpican en los ojos o la piel. Siga las instrucciones y pautas de seguridad del fabricante del producto químico que figuran en la hoja de datos de seguridad.

CONSERVE ESTAS INSTRUCCIONES








SÍMBOLOS

Las siguientes palabras de señalización y sus significados tienen el objeto de explicar los niveles de riesgo relacionados con este producto.

SÍMBOLO	SEÑAL	SIGNIFICADO
	PELIGRO:	Indica una situación peligrosa, la cual, si no se evita, causará la muerte o lesiones serias.
	ADVERTENCIA:	Indica una situación peligrosa, la cual, si no se evita, podría causar la muerte o lesiones serias.
	PRECAUCIÓN:	Indica una situación peligrosa la cual, si no se evita, puede causar lesiones leves o moderadas.
	AVISO:	(Sin el símbolo de alerta de seguridad) Indica la información que se considera importante, pero no relacionada con lesiones potenciales (por ej. en relación a daños a la propiedad).

SÍMBOLOS

Es posible que se empleen en este producto algunos de los siguientes símbolos. Le suplicamos estudiarlos y aprender su significado. Una correcta interpretación de estos símbolos le permitirá utilizar mejor y de manera más segura el producto.

SÍMBOLO	NOMBRE	DENOMINACIÓN/EXPLICACIÓN
	Alerta de seguridad	Indica un peligro posible de lesiones personales.
	Lea el manual del operador	Para reducir el riesgo de lesiones, el usuario debe leer y comprender el manual del operador antes de usar este producto.
	Protección para los ojos y respirar	Siempre póngase protección ocular con protección lateral con la marca de cumplimiento de la norma ANSI Z87.1. junto con protección respirar.
	Mantenga alejadas a las personas presentes	Mantenga a los circunstantes a una distancia mínima de 15 m (50 pies).
	Surface glissante	Tenga suma precaución para evitar resbalarse o caer.
	Alerta de condiciones húmedas	No exponga la batería, el compartimento de la batería o componentes electrónicos a la lluvia, el agua o líquidos. No exponga la producto a la lluvia o a lugares húmedos, ni cargue la batería en esas condiciones.
	Símbolo de reciclado	Este producto utiliza baterías de iones de litio (Li-ion). Es posible que algunas leyes municipales, estatales o federales prohíban desechar las baterías en la basura normal. Consulte a las autoridades reguladoras de desechos para obtener información en relación con las alternativas de reciclado y desecho disponibles.
V	Voltios	Voltaje
—	Corriente continua	Tipo o característica de corriente
PSI	Presión	La presión se mide en libras por pulgada cuadrada

CARACTERÍSTICAS

ESPECIFICACIONES DEL PRODUCTO

Capacidad del tanque.....15,1 l (4 gals)
 Motor.....18 V, corr. cont

Presión del rociado.....hasta 90 PSI

CONOZCA SU ROCIADOR

Vea la figura 1.

El uso seguro que este producto requiere la comprensión de la información impresa en la herramienta y en el manual del operador así como ciertos conocimientos sobre el proyecto a realizar. Antes de usar este producto, familiarícese con todas las características de funcionamiento y normas de seguridad.

ROCIADOR SIN BOMBA

El rociador de batería mantiene el fluido en circulación constante dentro del tanque para permitir el rociado sin bomba.

TANQUE

El tanque está graduado para medir hasta 15,1 litros (4 galóns) de líquido.

BOQUILLA ROCIADORA AJUSTABLE

Se incluyen dos boquillas. La boquilla tipo abanico ofrece un rociado plano. La boquilla tipo cono ajusta el flujo de líquido de modo de chorro a rociado en forma de cono.

GATILLO CON SEGURO

La gatillo se puede trabar para rociar en forma continua.

ARMADO

DESEMPAQUETADO

Este producto requiere armarse.

- Extraiga cuidadosamente de la caja la producto y los accesorios. Asegúrese de que estén presentes todos los artículos enumerados en la **Lista de empaquetado**.

ADVERTENCIA:

No utilice este producto si alguna pieza incluida en la **Lista de empaquetado** ya está ensamblada al producto cuando lo desempaqueta. El fabricante no ensambla las piezas de esta lista en el producto. Éstas deben ser instaladas por el usuario. El uso de un producto que puede haber sido ensamblado de forma inadecuada podría causar lesiones personales graves.

- Inspeccione cuidadosamente la producto para asegurarse de que no haya sufrido ninguna rotura o daño durante el transporte.
- No deseche el material de empaquetado hasta que haya inspeccionado cuidadosamente la producto y la haya utilizado satisfactoriamente.
- Si hay piezas dañadas o faltantes, le suplicamos llamar al 1-800-525-2579, donde le brindaremos asistencia.

LISTA DE EMPAQUETADO

Rociador con mochila

Tubo rociador

Boquillas (2)

Sellos de repuesto

Manual del operador

ADVERTENCIA:

Si falta o está dañada alguna pieza, no utilice este producto sin haber reemplazado la pieza. Usar este producto con partes dañadas o faltantes puede causar lesiones serias al operador.

ADVERTENCIA:

No intente modificar esta herramienta ni hacer accesorios no recomendados para ella. Cualquier alteración o modificación constituye un uso indebido, y puede crear una situación peligrosa que culmine en lesiones corporales graves.

ADVERTENCIA:

Para evitar un arranque accidental que podría causar lesiones corporales serias, siempre desmonte el paquete de baterías al armar las piezas.

CONEXIÓN DEL TUBO ROCIADOR AL MANGO DE GATILLO

Vea la figura 2.

- Inserte el tubo rociador en el mango de gatillo como se muestra.
- Deslice la anillo en “O” down hasta que toque el mango.
- Enrosque la tapa en el mango y ajústela firmemente.
- Tire del tubo rociador para asegurarse de que esté debidamente asegurada.
- Cuando no esté en uso, coloque el mango de gatillo ensamblado en el área de almacenamiento del mango sobre la tapa o en el costado del tanque.

CONEXIÓN DE LA BOQUILLA

Vea la figura 3.

Se proporcionan dos boquillas con el rociador con mochila. La boquilla tipo cono ya viene colocada en el codo de 45°. Ambas boquillas pueden utilizarse con o sin el codo.

- Rosque el codo en el extremo del tubo rociador. Ajuste la conexión con la mano.
- Coloque la boquilla roscándola en el codo. Asegúrese de que la conexión quede firme. No ajuste de manera excesiva.
- Si es necesario, afloje la tuerca que conecta el tubo rociador al mango de gatillo. Gire el tubo hasta que quede alineado con la boquilla apuntando hacia abajo y pueda empezar a usarse.
- Apriétela a mano. No apriete excesivamente.

CONEXIÓN DE LA MANGUERA

Vea la figura 4.

La manguera viene preensamblada al mango de gatillo. Si se afloja, siga las siguientes instrucciones.

- Quite la tuerca de la manguera de su extremo deslizándola.
- Inserte la manguera en el mango como se muestra en la imagen.
- Deslice la tuerca sobre la manguera y en el mango. Ajuste la conexión con la mano. No ajuste de manera excesiva.

FUNCIONAMIENTO

ADVERTENCIA:

No permita que su familiarización con las herramientas lo vuelva descuidado. Tenga presente que un descuido de un instante es suficiente para causar una lesión grave.

ADVERTENCIA:

Siempre póngase protección ocular con protección lateral o gafas protectoras con la marca de cumplimiento de la norma ANSI Z87.1. La inobservancia de esta advertencia puede causar el lanzamiento de objetos a los ojos, y por consecuencia posibles lesiones serias.

ADVERTENCIA:

No utilice ningún aditamento o accesorio no recomendado por el fabricante de esta herramienta. El empleo de aditamentos o accesorios no recomendados podría causar lesiones serias.

ADVERTENCIA:

Póngase equipo de seguridad. Protéjase los ojos, la piel y los pulmones durante las operaciones de mezclado, llenado, rociado y limpieza. La inobservancia de esta advertencia puede causar lesiones corporales graves y daños a los bienes.

AVISO:

Antes de cada uso, inspeccione todo el producto para detectar partes dañadas, faltantes o sueltas, como tornillos, tuercas, pernos, tapas, etc. Apriete firmemente todos los sujetadores y las tapas y no accione este producto hasta que todas las partes faltantes o dañadas sean reemplazadas. Póngase en contacto con el servicio al cliente o con un centro de servicio calificado para obtener ayuda.

APLICACIONES

Esta herramienta puede emplearse para los fines enumerados abajo:

- Puede usarse con la mayoría de los productos químicos de consumo para el hogar y el jardín, como insecticidas, fungicidas, herbicidas y fertilizantes

ADVERTENCIA:

La aplicación inadecuada de productos o soluciones químicos puede resultar en LESIONES GRAVES o LA MUERTE. Siga todas las directrices de los CDC y la EPA. Siga las instrucciones y pautas de seguridad del fabricante del producto químico que figuran en la hoja de datos de seguridad.

LLENADO DEL TANQUE

Vea las figuras 5 y 6.

ADVERTENCIA:

Antes de llenar el tanque, quite siempre el paquete de baterías y asegúrese de que la cubierta de la batería esté cerrada. Limpie los derrames antes de insertar el paquete de baterías. Si sigue esta regla, reducirá el riesgo de descarga eléctrica o de que líquidos corrosivos ingresen al paquete de baterías, lo que puede causar fallas en el paquete, incluidos cortocircuitos, que pueden resultar en humo, incendio o lesiones personales graves.

ADVERTENCIA:

Siempre siga las instrucciones del fabricante del producto químico impresas en la etiqueta del producto para su uso, limpieza y almacenamiento. No combine productos químicos. Limpie bien la unidad después de cada uso, siguiendo las instrucciones de la sección Mantenimiento de este manual. Los productos químicos deben ser almacenados fuera del alcance de los niños. La inobservancia de esta advertencia puede causar lesiones corporales graves.

ADVERTENCIA:

No permita que fluidos conductores o corrosivos ingresen al paquete de baterías. Si se derraman fluidos conductores o corrosivos en la batería, consulte las instrucciones del manual del operador.

Cuando agregue soluciones de rociado, puede agregar agua y la solución química que desee directamente en el tanque o usar una solución premezclada en un contenedor separado y luego verterlo en el rociador con un embudo, si es necesario. Cualquiera sea el método, recuerde:

- Los líquidos utilizados deben tener la consistencia del agua. Los líquidos más espesos no se rocían correctamente.
- No llene excesivamente el tanque.

FUNCIONAMIENTO

NOTA: Si usa un envase medidor que no sea la tapa medidora, o si usa un embudo para llenar el tanque, asegúrese de limpiar y enjuagar bien estos elementos después de usarlos. Si prepara previamente la mezcla de la solución para nebulización, enjuague el contenedor usado.

Para llenar :

- Retire el paquete de baterías.
- Desenrosque la tapa y retírela del tanque.
- Llene el tanque con la cantidad de líquido deseada [hasta 15,1 l (4 galóns)].
NOTA: Para que el rociador funcione correctamente, NO llene el tanque sobre la línea de llenado máximo.
- Vuelva a enroscar la tapa en el rociador, asegurándose de que esté bien apretada.
NOTA: Limpie el exterior del tanque con un paño seco y los derrames antes de volver a colocarlo.
- Vuelva a instalar el paquete de baterías.

AVISO:

Es importante limpiar bien la unidad después de cada uso. Dejar que la fluide permanezcan en una herramienta sin uso durante un período prolongado puede provocar que sus piezas y conectores móviles se agarroten.

INSTALACIÓN/EXTRACCIÓN DEL PAQUETE DE BATERÍAS

Vea la figura 7.

ADVERTENCIA:

Retire siempre el paquete de baterías de la herramienta antes de instalar las piezas, realizar ajustes, limpiarla o cuando no la utilice. Retirar el paquete de baterías evitará que la unidad se accione accidentalmente y provoque lesiones graves.

Para conectar:

- Levante la tapa de la batería.
- Alinee el saliente elevado del paquete de baterías con la ranura en el compartimiento para baterías y coloque el paquete de pilas en la herramienta.
- Asegúrese de que los pestillos situados en ambos lados del paquete de pilas entren completamente en su lugar con un chasquido y de que el paquete quede bien asegurado en la herramienta antes de empezar a utilizar ésta.
- Baje la tapa de la batería.

Para el desmontaje:

- Oprima los pestillos situados en ambos lados del paquete de baterías para soltar éste de la herramienta.



ADVERTENCIA:

Riesgo de incendio o explosión. El área de rociado debe estar bien ventilada y lejos de chispas o llamas.

ENCENDIDO Y APAGADO DEL ROCIADOR

Vea las figuras 8 y 9.

- Gire la perilla de control hacia la derecha para ENCENDER el rociador y ajustar la presión del fluido.
- Gire la perilla de control hacia la derecha para aumentar la presión y hacia la izquierda para disminuirla.
NOTA: Para aplicar más rociado en un área, aumente la presión. Para aplicar menos rociado, disminuya la presión.
- Para iniciar el flujo de líquido en el tubo rociador, oprima la gatillo.
- Para detener el flujo de líquido en el tubo rociador, oprima la gatillo.
- Gire la perilla de control completamente hacia la izquierda para APAGAR el rociador.

SEGURO DE ENCENDIDO

Vea la figura 9.

El seguro de encendido resulta útil cuando se rocía durante un período prolongado o se cubre un área grande.

- Para bloquear el gatillo, presiónelo y deslice la lengüeta de bloqueo hacia atrás.
- Para liberar el bloqueo del gatillo, presiónelo y deslice la lengüeta de bloqueo hacia delante.
NOTA: Asegúrese de que la gatillo no tenga el seguro de encendido puesto antes de introducir el paquete de pilas en el rociador.

CÓMO AJUSTAR LA BOQUILLA DE ROCIADO EN FORMA DE CONO

Vea la figura 10.

La boquilla de rociado en forma de cono puede ajustarse de modo de chorro a rociado en forma de cono.

- Retire el paquete de baterías.
- Afloje la boquilla para formar un chorro.
- Apriete la boquilla para rociar en forma de cono.

FUNCIONAMIENTO

CÓMO USAR EL ROCIADOR

Vea la figura 11.

ADVERTENCIA:

La aplicación inapropiada de la solución de limpieza puede provocar **LESIONES GRAVES** o la **MUERTE**. Siga las pautas de CDC y EPA para la limpieza. Siga las instrucciones y pautas de seguridad del fabricante del producto químico que figuran en la hoja de datos de seguridad.

ADVERTENCIA:

Riesgo de incendio o explosión. El área de rociado debe estar bien ventilada y lejos de chispas o llamas.

- Instalar de la herramienta el paquete de batería.
- Gire la perilla de control hacia la derecha para **ENCENDER** el rociador.
- Fije la presión deseada.
- Deslice un brazo por la correa del arnés y apoye el arnés sobre un hombro; luego, repita este paso con el otro hombro. Ajuste las correas en una posición cómoda.
- Dirija la boquilla del rociador directamente hacia las áreas de superficie que desea tratar.
NOTA: Asegúrese de pararse lo suficientemente lejos del objeto que está rociando para evitar que el rocío lo salpique.
- Mantenga presionado el gatillo interruptor mientras la unidad toma impulso. Esto puede tardar unos segundos. Continúe sosteniendo el gatillo hasta que la unidad comience a rociar.
- Si hay un problema con el cebado de la unidad, llene completamente el tanque con agua tibia y jabón (el jabón para platos común funcionará), apriete y mantenga presionado el gatillo hasta que la unidad comience a rociar.

- Rocíe sobre una superficie seca con trazos largos, uniformes y superpuestos.

NOTA: Mientras el rociador está en uso, la boquilla podría gotear; esto es de esperar.

- Suelte el gatillo para detener el rociado
- Cuando termine con el rociador, quítese el arnés para hombros.
- Apague el rociador y retire la batería.
- Desenrosque la tapa y retírela del tanque.
- Vuelva a colocar toda la fluide que no haya utilizado en su contenedor original, y limpie bien el rociador.
- Limpie a fondo el rociador y el tanque antes de transportar o almacenar la unidad y antes de cambiar el producto químico. Consulte **Limpieza la unidad** más adelante en este manual.

NOTA: Limpie el exterior del tanque con un paño seco y los derrames antes de insertar el tanque.

- Lávese bien las manos y cualquier área donde la piel haya estado expuesta al rociado.

CONSEJOS DE OPERACIÓN

- Nunca apunte el extremo rociador del tubo rociador hacia usted mismo ni hacia los demás.
- Evite rociar en días ventosos. El rocío puede ser dirigido accidentalmente hacia plantas u objetos que no deberían ser rociados.
- Nunca dirija el rocío hacia personas o animales; siempre rocíe a favor del viento.
- Nunca fume, coma ni beba mientras utiliza el rociador.
- Especialmente en climas cálidos, use el rociador temprano en la mañana o al atardecer. El calor excesivo puede evaporar el rociado antes de que se asiente.

MANTENIMIENTO

ADVERTENCIA:

Para evitar lesiones corporales serias, siempre retire el paquete de baterías de la herramienta al limpiarla o darle mantenimiento.

ADVERTENCIA:

Siempre póngase protección ocular con protección lateral o gafas protectoras con la marca de cumplimiento de la norma ANSI Z87.1. La inobservancia de esta advertencia puede causar el lanzamiento de objetos a los ojos, y por consecuencia posibles lesiones serias.

ADVERTENCIA:

Al dar servicio a la unidad, sólo utilice piezas de repuesto idénticos. El empleo de piezas diferentes puede causar un peligro o dañar el producto.

AVISO:

Inspeccione periódicamente todo el producto para detectar partes dañadas, faltantes o sueltas, como tornillos, tuercas, pernos, tapas, etc. Apriete firmemente todos los sujetadores y las tapas y no accione este producto hasta que todas las partes faltantes o dañadas sean reemplazadas. Póngase en contacto con el servicio al cliente o con un centro de servicio calificado para obtener ayuda.

MANTENIMIENTO GENERAL

Evite el empleo de solventes al limpiar piezas de plástico. La mayoría de los plásticos son susceptibles a diferentes tipos de solventes comerciales y pueden resultar dañados. Utilice paños limpios para eliminar la suciedad, el polvo, el aceite, la grasa, etc.

ADVERTENCIA:

No permita en ningún momento que fluidos para frenos, gasolina, productos a base de petróleo, aceites penetrantes, etc., lleguen a tocar las piezas de plástico. Las sustancias químicas pueden dañar, debilitar o destruir el plástico, lo cual a su vez puede producir lesiones corporales serias.

LIMPIEZA LA UNIDAD

Vea la figura 12.

ADVERTENCIA:

Siempre almacene y deseche los productos químicos de la manera adecuada. El desecho del agua de enjuague contaminada se debe realizar en cumplimiento con las ordenanzas y disposiciones locales.

DRENADO DEL TANQUE

Si después de rociar queda líquido en el tanque, se debe drenar el tanque antes de limpiarlo.

- Retire el paquete de baterías.
- Desenrosque la tapa y retírela del tanque.
- Quite el filtro del tanque.
- Drene el contenido del tanque por el área de llenado.

NOTA: Drene el contenido nuevamente en el contenedor original. No almacene productos químicos en el tanque.

LIMPIEZA DEL TANQUE Y CONJUNTO DE TUBO ROCIADOR

- Llene el tanque hasta alrededor de un tercio con agua limpia. Se puede agregar una pequeña cantidad de detergente doméstico suave.

NOTA: Nunca use productos químicos inflamables ni agentes de limpieza abrasivos para limpiar el tanque.

- Limpie el exterior del tanque con un paño limpio y seco.
- Vuelva a colocar la tapa.
- Vuelva a instalar la batería. Rocíe el producto hasta que el tanque se vacíe. Asegúrese de dirigir el producto hacia un área que no resulte dañada por la solución de rociado.
- Vuelva a llenar el tanque y repita el procedimiento con agua limpia. Podría ser necesario enjuagar el tanque más de una vez; luego drénelo nuevamente como se indicó antes.

- Deje que todas las piezas se sequen por completo antes de volver a instalarlas y almacenar la unidad.

NOTA: Almacene el rociador en posición vertical. **NO** guarde el rociador recostado sobre un lado.

LIMPIEZA DEL ROCIADOR:

- Llene el tanque hasta alrededor de un tercio con agua limpia.

NOTA: Nunca use productos químicos inflamables ni agentes de limpieza abrasivos para limpiar el tanque.

- Revise la hoja de seguridad del producto químico para ver cuál es la mejor manera de asegurar y almacenar la solución química cuando no esté en uso.
- Vuelva a colocar la tapa de tanque y apriétela firmemente.

MANTENIMIENTO

- Vuelva a instalar el paquete de baterías. Rocíe hasta vaciar el tanque. Asegúrese de dirigir el rocío hacia un área que no pueda ser dañada por la solución rociada.
- Vuelva a llenar el tanque y repita el procedimiento con agua limpia. Es posible que resulte necesario enjuagar el tanque más de una vez y luego drenarlo nuevamente como se indicó más arriba.
- Deje que todas las piezas se sequen por completo y, luego, vuelva a colocar la tapa del tanque.
- Limpie la parte exterior del rociador con un paño limpio y seco.

LIMPIEZA DE LA BOQUILLA Y CODO DE 45°

Vea la figura 13.

Si la boquilla se tapa, utilice los pasos anteriores para limpiarla.

Para limpiar las boquillas:

- Retire el paquete de baterías.
- Desenrosque y retire la boquilla del tubo de rociado o del codo de 45°.
- Con un aguja fina, libere la boquilla de las obstrucciones producidas por material extraño.
- Con una manguera de jardín expulse de la boquilla toda la basura presente con un contraflujo (haciendo pasar hacia atrás agua por la boquilla, o sea del exterior hacia el interior).
- Vuelva a conectar la boquilla.

Para limpiar el codo:

- Retire el paquete de baterías.
- Si está instalada, desenrosque y retire la boquilla.
- Pase un alambre pequeño a través de los orificios en cruz para eliminar cualquier residuo. Si es necesario, enjuague los orificios en cruz y el codo con agua limpia.
- Limpie el codo y los orificios en cruz con un paño limpio y seco, y vuelva a colocar la boquilla.

REEMPLAZAR LOS SELLOS

Vea la figura 14.

ADVERTENCIA:

Siga siempre los procedimientos para drenar y limpiar el tanque antes de reemplazar las juntas. Asegúrese de usar guantes de goma al introducir las manos en el tanque químico. Lávese bien las manos posteriormente. Si no sigue estas instrucciones, podría sufrir sarpullido, irritación en la piel u otras lesiones personales graves si toca directamente productos químicos.

Con el tiempo, los sellos pueden endurecerse y romperse, lo que puede hacer que el rociador con mochila tenga fugas. Se incluye un conjunto de sellos de repuesto. Consulte la imagen que se muestra sobre la ubicación de cada uno de los sellos; luego, reemplácelos según sea necesario para solucionar las fugas que puedan presentarse.

Puede comprar conjuntos de sellos de repuesto; para ello, comuníquese con el Servicio de atención al cliente.

NOTA: Al desenroscar las conexiones para reemplazar los sellos, puede derramarse líquido. Limpie siempre el backpack sprayer minuciosamente como se describió previamente antes de reemplazar los sellos.

Este producto tiene una garantía limitada de tres años para fines personales, familiares o domésticos (90 días para usos trabajo o comercial). Para obtener detalles sobre la garantía, diríjase a www.ryobitools.com o llame sin cargo al 1-800-525-2579.



OPERATOR'S MANUAL
MANUEL D'UTILISATION / MANUAL DEL OPERADOR
18V BACKPACK SPRAYER
PULVÉRISATEUR À DOS DE 18 V
ROCIADOR CON MOCHILA DE 18 V
P2806

• **PARTS AND SERVICE:** Prior to requesting service or purchasing replacement parts, please obtain your item, manufacturing, and serial numbers from the product data plate.

ITEM NO.* _____ **MANUFACTURING NO.** _____
SERIAL NO. _____

* *Modell/item number on product may have additional letters at the end. These letters designate manufacturing information and should be provided when calling for service.*

HOW TO OBTAIN REPLACEMENT PARTS: Replacement parts can be purchased online at www.ryobitools.com or by calling 1-800-525-2579. Replacement parts can also be obtained at one of our service centers.

HOW TO LOCATE A SERVICE CENTER: Service centers can be located online at www.ryobitools.com or by calling 1-800-525-2579.

HOW TO OBTAIN CUSTOMER OR TECHNICAL SUPPORT: To obtain customer or technical support please contact us at 1-800-525-2579.

RYOBI is a trademark of Ryobi Limited and is used pursuant to a license granted by Ryobi Limited.

• **PIÈCES ET SERVICE :** Avant de faire la demande de service ou l'achat de pièces de remplacement, veuillez obtenir le numéro d'article, le numéro de fabrication et le numéro de série à partir de la plaque de données du produit.

NUMÉRO D'ARTICLE* _____ **NUMÉRO DE FABRICATIO**
NUMÉRO DE SÉRIE _____

* *Le numéro de modèle/article sur le produit peut contenir des lettres supplémentaires à la fin. Ces lettres désignent les informations du fabricant et doivent être fournies lors d'un appel de demande de service.*

COMMENT OBTENIR LES PIÈCES DE REMPLACEMENT : Les pièces de remplacement peuvent être achetées en ligne sur le site www.ryobitools.com ou par téléphone au 1-800-525-2579. Les pièces de remplacement peuvent être obtenues à un de nos centres de service.

COMMENT TROUVER UN CENTRE DE SERVICE : Les centres de service peuvent être localisés en ligne au www.ryobitools.com ou en téléphonant au 1-800-525-2579.

COMMENT OBTENIR DE L'AIDE EN CONTACTANT LE SERVICE À LA CLIENTÈLE : Pour contacter le service à la clientèle pour une question technique ou pour tout autre renseignement, veuillez nous téléphoner au 1-800-525-2579.

RYOBI est une marque de Ryobi Limited et est utilisée en vertu d'une licence accordée par Ryobi Limited.

• **PIEZAS DE REPUESTO Y SERVICIO:** Antes de solicitar servicio técnico o comprar piezas de repuesto, obtenga su número de artículo, el número de fabricación y el número de serie de la placa de datos del producto.

NÚMERO DE ARTÍCULO* _____ **NÚMERO DE FABRICACIÓ**
NÚMERO DE SERIE _____

* *El número de modelo/artículo que figura en el producto podría tener letras adicionales al final. Estas designan información de fabricación y deben suministrarse cuando llame para obtener asistencia o servicio.*

CÓMO OBTENER PIEZAS DE REPUESTO: Las piezas de repuesto se pueden comprar en nuestro sitio en la red mundial, en la dirección www.ryobitools.com o llamando al 1-800-525-2579. Las piezas de repuesto también se pueden obtener en uno de nuestros centros de servicio.

CÓMO LOCALIZAR UN CENTRO DE SERVICIO: Puede encontrar los centros de servicio visitando nuestro sitio en la red mundial, en la dirección www.ryobitools.com or by calling 1-800-525-2579.

CÓMO OBTENER SERVICIO O ASISTENCIA TÉCNICA AL CONSUMIDOR: Para obtener servicio o asistencia técnica al consumidor, sírvase comunicarse con nosotros llamando al 1-800-525-2579.

RYOBI es una marca de Ryobi Limited y se utiliza conforme a una licencia otorgada por Ryobi Limited.

TTI OUTDOOR POWER EQUIPMENT, INC.

P.O. Box 1288, Anderson, SC 29622, USA
1-800-525-2579 • www.ryobitools.com