



your **global source** for **unique lighting** + home decor

ASSEMBLY INSTRUCTIONS

1. Place all parts on a flat smooth surface
2. Attach Post "B" To Base "A"
3. Attach Assembly "C" To Post "B"
4. Clip Harp "D" To Harp Holder "C" Squeezing The Two Posts.
5. Mount Shade "F" And Secure With Finial "G"
6. Install Bulb "E" (Not included)

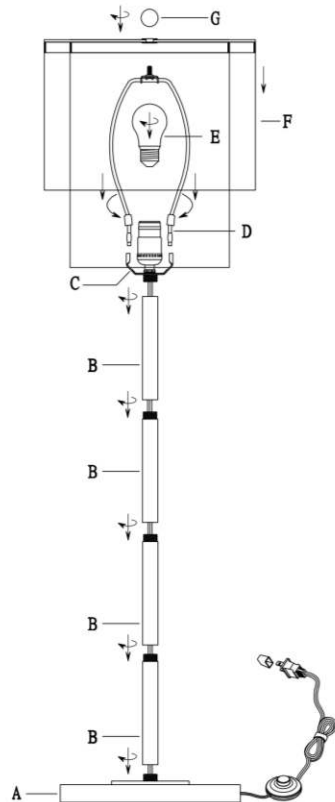
! CAUTION - Refer to the wattage caution label located near the lamp holder for maximum wattage - do not exceed the maximum wattage.

! WARNING - Do not attempt to replace the bulb(s) while the lamp is plugged into a wall receptacle

CARE INSTRUCTIONS - Use only a soft cloth; do not use any chemicals or abrasive cleaners.

IMPORTANT SAFETY INSTRUCTIONS

This portable lamp has a polarized plug (one blade is wider than the other) as a safety feature to reduce the risk of electric shock. This plug will fit in a polarized outlet only one way. If the plug does not fit fully in the outlet, reverse the plug. If it still does not fit it, contact a qualified electrician. Never use with an extension cord unless plug can be fully inserted. Do not alter the plug.



E26 Type A.60W X 1 (Not included)

E26 CFL 13W X 1 (Not included)



US LISTED

MADE IN CHINA