



Buffet Server

Safety Instructions

Notice: Ensure you read and fully understand instructions before use

While every attempt is made to ensure the highest degree of protection in all equipment, we cannot guarantee freedom from injury. The user assumes all risk of injury due to use. All merchandise is sold on this condition, which no representative of the company can waive or change.

- Before cleaning and when not in use, unplug from the mains power supply.
- To prevent anyone from tripping over the power cable, make sure that it is not draped over the worktop.
- Always place the appliance on a stable and flat surface and never place on or near a warm hotplate or other source of heat.
- This product is not intended for use by persons (including children) with reduced physical, sensory and mental capacities, or lack of experience and knowledge, unless they have been given supervision or instruction concerning use of the product by persons responsible for their safety.
- Children should be supervised to ensure that they do not play with the appliance.
- Do not carry out alterations or modifications to this product.
- This appliance must never be operated via an external timer or separate remote-control system.
- Always use the original power cable supplied with the appliance.
- Ensure the power supply to the socket into which the appliance is plugged, is in accordance with the rating label on the appliance and that the socket is earthed.
- To protect against electrical shock, do not immerse cord, plug or any part of this appliance in water or any other liquid.
- Never operate electrical appliance in immediate vicinity of water sources.
- This product is intended for indoor use only.
- Never leave the appliance unattended when in use.
- Never move the appliance when it is switched on or is still hot.
- Switch off and wait until it has cooled down before you move the product.
- The top stainless steel surfaces and the heating elements become extremely hot and can cause severe burns. Use with care!
- To prevent the risk of fire, the appliance needs space to allow heat to escape. Make sure that the appliance has sufficient space around it and does not come into contact with flammable materials. The appliance must not be covered.
- DO NOT place this product under or near curtains or other flammable soft furnishings.
- DO NOT position and use this product under wall cabinets.
- DO NOT use this product near plastic kitchenware.
- Always ensure that you have the buffet warmer the correct way up.
- Incorrect usage may cause damage to the work surface.

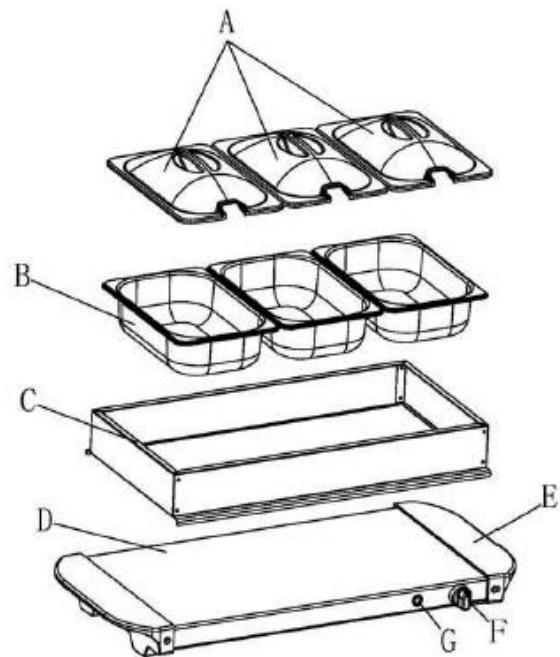
Operating Instructions

Parts List:

If you are missing any of the below parts please contact cservice@oypla.com

Please be aware that you will be referring to this parts list throughout the assembly process.

- A. Three lids
- B. Three serving dishes
- C. Frame for serving dishes
- D. Warming plate
- E. Cool touch handles
- F. Thermostat
- G. Heating indicator light



Warning!

This product is designed to keep cooked food warm and not to cook or reheat food as the food will not reach the correct temperature to kill bacteria.

How to use the Food Trays

- Place the appliance onto a flat, heat resistant surface.
- Always ensure that you have the buffet warmer the correct way up.
- Plug the appliance into the mains supply at the wall socket.
- The red heating indicator will light up.
- Adjust the temperature control knob to the desired temperature at which you wish to keep your food hot.
- Pre-heat the appliance for ten minutes; the red light will turn off when the desired temperature is reached.
- Place the rectangular frame into position on the tray (take care as tray will be hot), then position the three serving dishes to hold in the heat and keep your food fresh.
- The indicator light will cycle on and off whilst maintaining the correct temperature.

How to use the Warming Trays

- If you wish to use just the warming tray without the serving dishes, you should remove the serving dishes and the frame from the warming tray.
- Place the warming tray onto a flat surface.
- Always ensure that you have the buffet warmer the correct way up.
- Plug the appliance into the mains supply at the wall socket.
- The indicator light will illuminate to show the appliance is working.
- Adjust the temperature control knob to the desired temperature to keep your food hot.
- Preheat the appliance for ten minutes; the indicator light will turn off once the desired temperature is reached.
- You may place heat-resistant casserole dishes or plates/dishes of food directly onto the warming plate.
- Unplug the appliance when not in use.

Cleaning your Appliance

- Allow the appliance to cool down completely after use and before attempting to clean.
- Once cool, remove all food and liquid from the serving dishes.
- Remove each lid and dish from the frame.
- The frame and the serving dishes and lids can all be cleaned in warm, soapy water.
- Rinse well in clear water and dry thoroughly with a soft dry cloth.
- DO NOT use abrasive cleaners as they can damage parts.

Always allow the appliance to cool fully before cleaning.



HAVE A QUESTION ABOUT YOUR PURCHASE?

OUR DEDICATED CUSTOMER SERVICES TEAM ARE HAPPY TO HELP
CONTACT THEM VIA:

TELEPHONE: 020 3600 2255

EMAIL: cservice@oypla.com

LIVE CHAT: www.oypla.com

PLEASE RETAIN A COPY OF THESE INSTRUCTIONS FOR FUTURE CONSULTATION



Environmental Protection

OYPLA.COM

An Official OYPLA Branded Product



Products bearing the symbol shown below means that used electrical and electronic equipment (WEEE) should not be mixed with general household waste. For proper treatment, recovery and recycling, please take this product(s) to designated collection points where it will be accepted free of charge. Disposing of this product correctly will help save valuable resources and prevent any potential negative effects on human health and the environment, which could otherwise arise from inappropriate waste handling. Please contact your local authority for further details of your nearest designated collection point. Penalties may be applicable for incorrect disposal of this waste, in accordance with your national legislation.



Imported by Oypla.com LLP, Uxbridge, UB8 2FX

USER MANUAL Model No: 3135/3903