



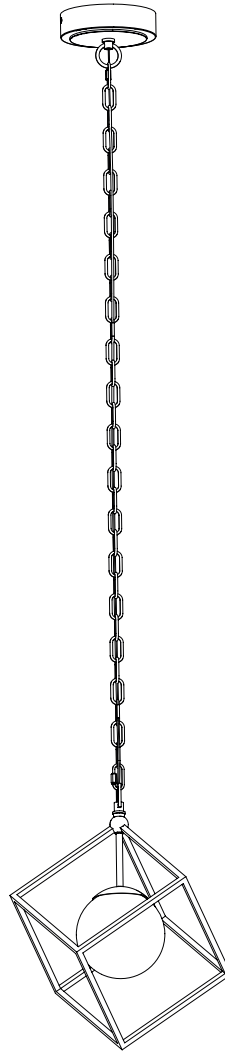
ITEM #5336434

# 1-LIGHT PENDANT

MODEL #43017

ORIGIN 21 and logo design are trademarks or registered trademarks of LF, LLC. All rights reserved.

**Español p. 10**



## ATTACH YOUR RECEIPT HERE

Purchase Date \_\_\_\_\_



**Questions, problems, missing parts?** Before returning to your retailer, call our customer service department at 888-251-1026, 8 a.m. - 8 p.m., EST, Monday - Sunday. You could also contact us at [www.ascs@lowes.com](mailto:www.ascs@lowes.com).

SS23505

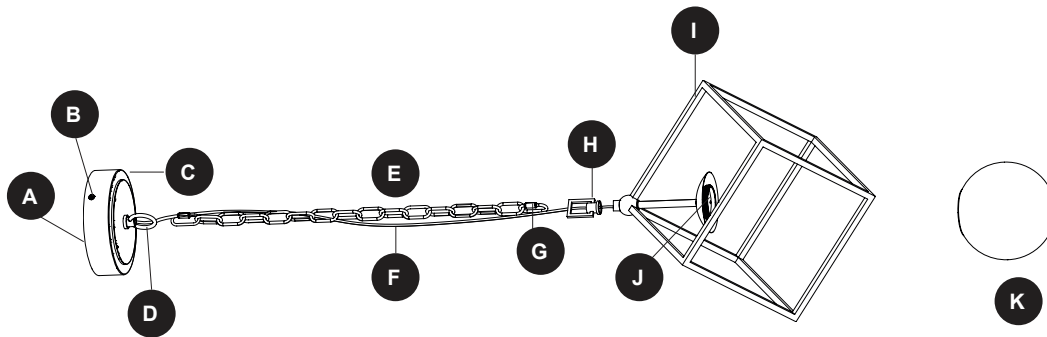


## **TABLE OF CONTENTS**

---

Package Contents. . . . .	3
Hardware Contents. . . . .	3
Preparation . . . . .	3
Safety Information. . . . .	4
Assembly Instructions. . . . .	5
Troubleshooting. . . . .	8
Warranty. . . . .	8

## PACKAGE CONTENTS (not drawn to scale)



PART	DESCRIPTION	QUANTITY
A	Mounting Bracket	1
B	Mounting Bracket Screw (preassembled to Mounting Bracket [A])	2
C	Canopy	1
D	Chain Loop (preassembled to Canopy [C])	1
E	Chain	1
F	Fixture Wire	1
G	Connecting Link (preassembled to Chain [E])	2
H	Finial	1
I	Fixture	1
J	LED (preassembled to Fixture [I])	1
K	Glass Bowl	1

## HARDWARE CONTENTS

AA



Wire Connector  
Qty. 3

RR

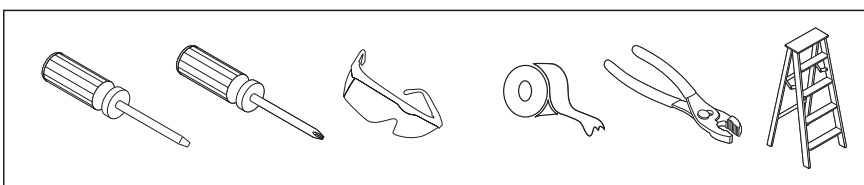


Mounting Screw  
Qty. 2

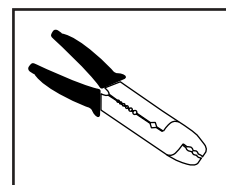
## PREPARATION

**Estimated Assembly Time:** 60 minutes

Tools Required for Assembly (not included):



Helpful Tools (not included)



## SAFETY INFORMATION

---

Please read and understand this entire manual before attempting to assemble, operate or install the product. Failure to do so could lead to electrical shock, fire or other injuries that could be hazardous or even fatal.

- Before you begin installing the light kit, disconnect the power by removing fuses or turning off the circuit breakers.
- Make sure that all electrical connections comply with local codes, ordinances, the National Electrical Code, and ANSI/NFPA 70-199. Hire a qualified electrician or consult a do-it-yourself wiring handbook if you are unfamiliar with installing electrical wiring.
- The net weight of the light kit is 3.44 lbs.
- This fixture is intended for indoor locations. It is not suitable for outdoor or damp locations.

### **DANGER:**

- DO NOT connect this fixture to an electrical system that does not provide a means for equipment grounding. Never use a fixture in a two-wire system that is not grounded. Installing a fixture into an electrical system not having a proper grounding means could cause metal parts of the fixture to carry electrical currents if any of the fixture wires, wire connections or splices were to become broken, cut or loose during the mounting or normal operation of the fixture. Under this condition, anyone coming in contact with the fixture would be subject to electrical shock, which could cause serious injury or death.
- DO NOT connect the bare or green insulation fixture ground wire to the black (hot) current-carrying wire or the white neutral house wire. Connection of the bare or green fixture ground wire to the black or white house wires may cause metal parts of the fixture to carry electrical currents. Under this condition anyone coming in contact with the fixture will receive electrical shock, which could cause serious injury or death.
- DO NOT damage or cut the wire insulation (covering) during installation of the fixture. DO NOT permit wires to contact any surface having a sharp edge. To do so may damage or cut the wire insulation, which could cause serious injury or death from electrical shock.

### **WARNING:**

- All electrical connections must be in agreement with local codes and ordinances, the National Electric Code (NEC) and ANSI/NFPA 70-1999. Contact your municipal building department to learn about your local codes, permits and/or inspections. Risk of fire - most dwellings built before 1985 have supply wire rated for 140°F. Consult a qualified electrician before installation.
- To avoid personal injury, the use of gloves may be necessary while handling fixture parts with sharp edges.
- DO NOT suspend any fixture by the house wires. A fixture must always be mounted directly to an outlet box. Wire connectors will not support the weight of a fixture. Suspending a fixture by the house wires and wire connectors will result in the fixture falling, with the possibility of personal injury and the danger of electrical shock or fire.
- To reduce the risk of fire, electrical shock, or personal injury, each wire connector used with this light kit should accept only one 18-gauge wire from the light fixture and one 18-gauge wire from the outlet box. If there are three or more wires to connect or any of the wires is larger than 18 gauges, consult an electrician for the proper size wire connectors to use.

## **SAFETY INFORMATION**

---

**CAUTION:** This device complies with part 15 of FCC Rules. Operation is subject to the following two conditions: 1) This device may cause harmful interference, and 2) this device must accept any interference received, including interference that may cause undesired operation.

**CAUTION:** This equipment has been tested and found to comply with the limits for a Class B digital device, pursuant to Part 15 of the FCC Rules. These limits are designed to provide reasonable protection against harmful interference in a residential installation. This equipment generates, uses and can radiate radio frequency energy and, if not installed and used in accordance with the instructions, may cause harmful interference to radio communications. However, there is no guarantee that interference will not occur in a particular installation. If this equipment does cause harmful interference to radio or television reception, which can be determined by turning the equipment off and on, the user is encouraged to try to correct the interference by one or more of the following measures:

--Reorient or relocate the receiving antenna.

--Increase the separation between the equipment and receiver

--Connect the equipment into an outlet on a circuit different from that to which the receiver is connected.

--Consult the dealer or an experienced radio/TV technician for help.

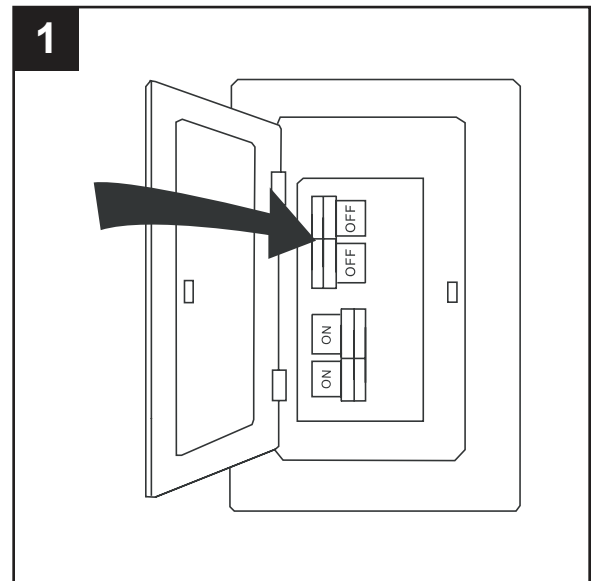
Please note changes or modifications not expressly approved by the party responsible for compliance could void the user's authority to operate the equipment.

HKC-US  
3350 Players Club Parkway, Suite 225  
Memphis, TN 38125  
888-251-1003

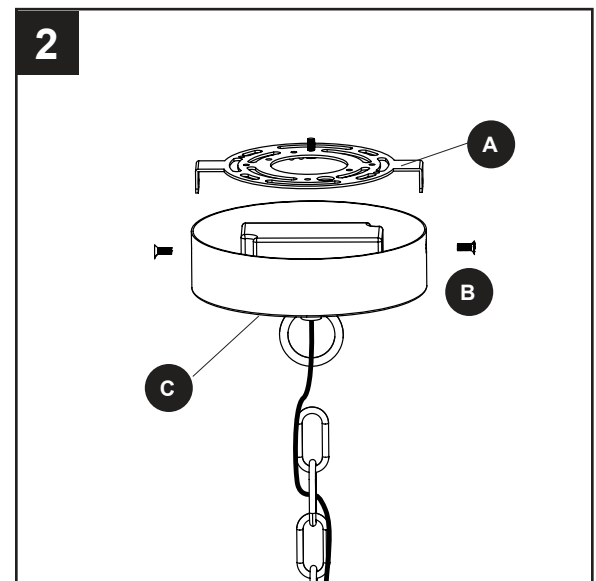
## ASSEMBLY INSTRUCTIONS

1. Turn off the circuit breakers and the wall switch to the supply line leads.

**⚠ DANGER:** Failure to disconnect the power supply prior to installation may result in serious injury or death.



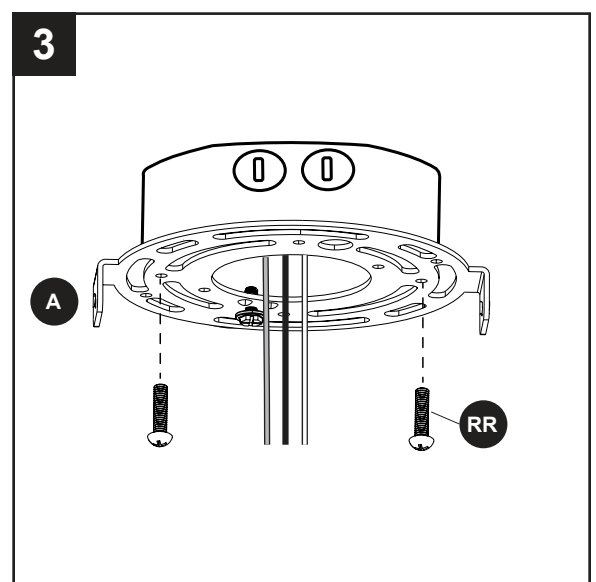
2. Remove the two mounting bracket screws (B) from the sides of the canopy (C) and remove the mounting bracket (A).



3. Attach the mounting bracket (A) to the outlet box (sold separately) using the mounting screws (RR).

### Hardware Used

**RR** Mounting Screw  x 2



## ASSEMBLY INSTRUCTIONS

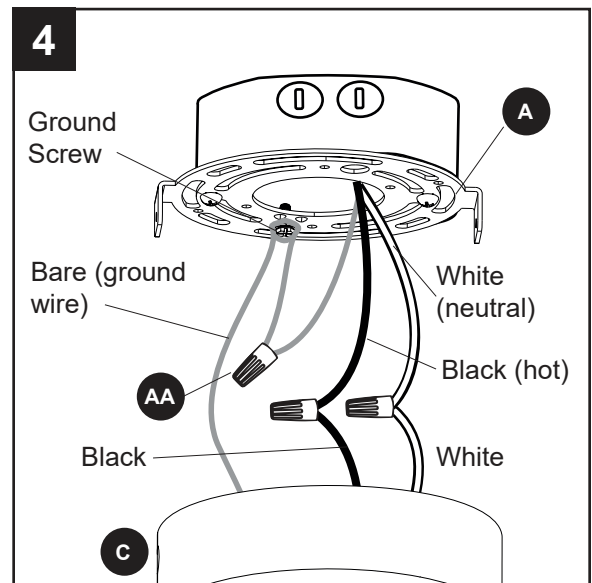
4. Loosen the ground screw preassembled to mounting bracket (A) and wrap bare/green supply wire around the ground screw. Retighten the ground screw.

Connect supply and fixture wires according to the diagram and these steps:

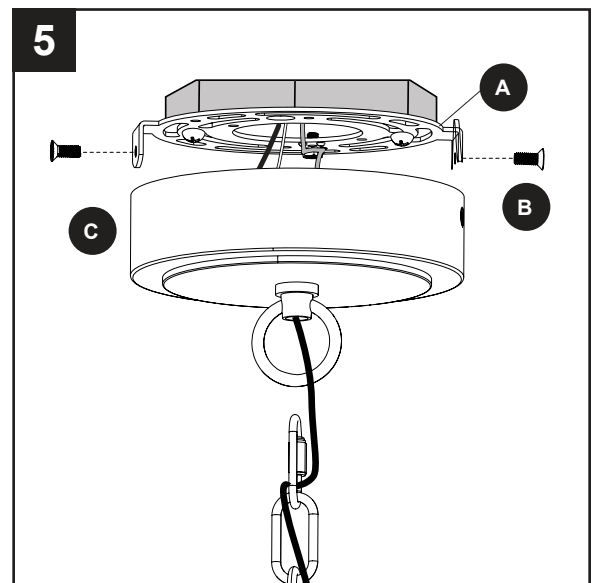
- Connect the Bare wire from the fixture to the Bare/Green (ground) supply wire.
- Connect the White wire from the fixture to the White (neutral) supply wire.
- Connect the Black wire from the fixture to the Black (hot) supply wire.

Secure all wiring connections together with wire connectors (AA) from hardware bag.

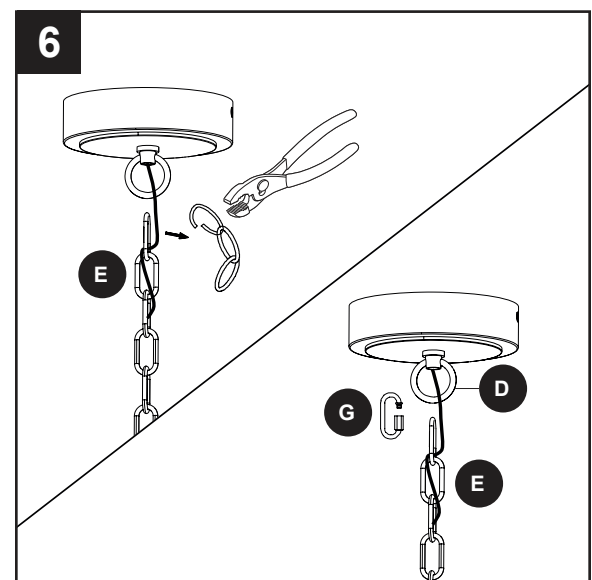
**Note:** If supply wire colors differ from these, contact a professional electrician to determine proper wiring.



5. Lift the canopy (C) to the mounting bracket (A). Align the holes in the canopy (C) with the holes in the mounting bracket (A). Use the previously removed mounting bracket screws (B) to secure the canopy (C) to the mounting bracket (A).

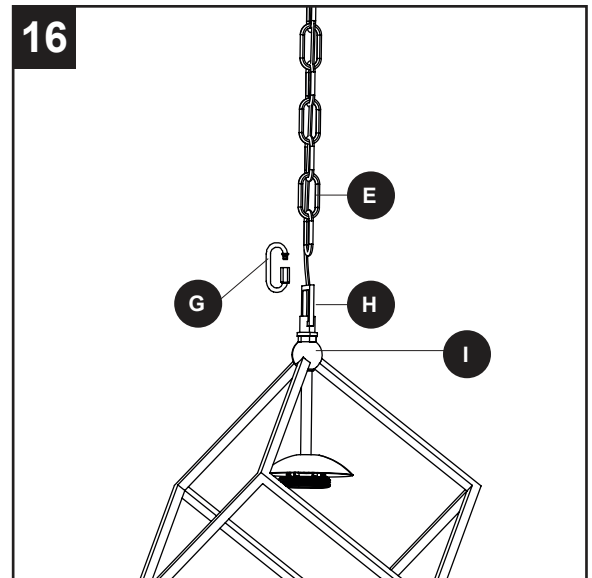


6. If desired, use pliers (sold separately) to open chain links to shorten the chain (E). Then open the connecting links (G) by twisting the nut and connect to each end of the chain (E). Attach the connecting link (G) at the top of the chain (E) to the chain loop (D).



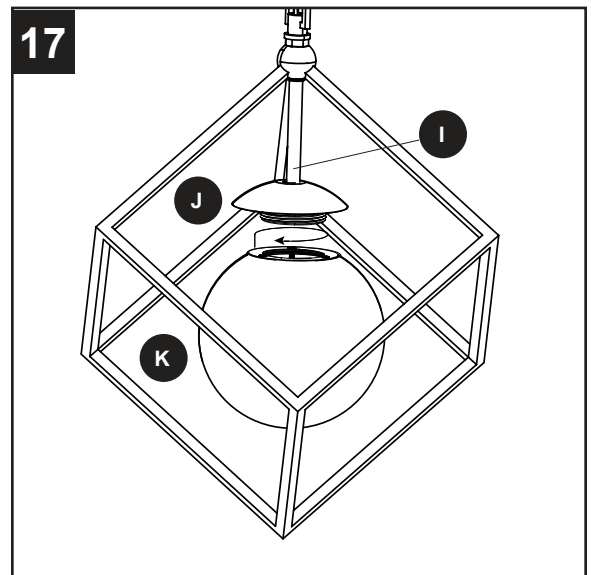
## ASSEMBLY INSTRUCTIONS

16. Twist the finial (H) clockwise onto the threaded rod at the top of the fixture (I) to secure. Attach the connecting link (G) at the bottom of the chain (E) to the finial (H).



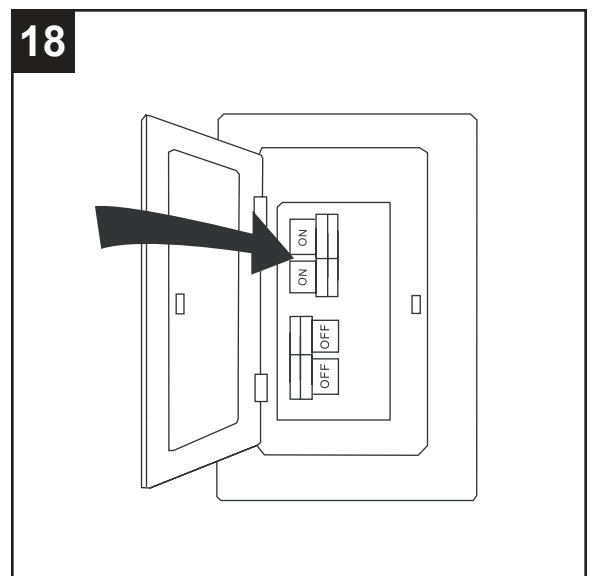
17. Lift the glass bowl (K) onto the LED (J) preassembled to the fixture (I). Turn the glass bowl (K) in a clockwise direction to secure.

**CAUTION:** Avoid cross-threading the glass bowl (K) during installation. Improper installation could cause the glass bowl (K) to be difficult to remove or fall, which could cause serious injury.



18. Restore the power to the circuit breakers and the wall switch to the supply line leads.

Assembly is complete.



## TROUBLESHOOTING

---

<b>PROBLEM</b>	<b>POSSIBLE CAUSE</b>	<b>CORRECTIVE ACTION</b>
LED will not light.	Fixture may be wired incorrectly.	Check wiring.

## THREE-YEAR LIMITED WARRANTY

---

The manufacturer warrants all of its lighting fixtures against defects in materials and workmanship for three (3) years from the date of purchase. If within this period the product is found to be defective, take a copy of the bill of sale as a proof of purchase and the product in its original carton to the place of purchase. The manufacturer will, at its option, repair, replace or refund the purchase price to the consumer. All costs of installation and removal of the fixture is the responsibility of the consumer. This warranty does not cover fixtures becoming defective due to misuse, accidental damage or improper handling and/or installation and specifically excludes liability for direct, incidental or consequential damages. As some states do not allow exclusions of limitations on an implied warranty, the above exclusion and limitation may not apply. This warranty gives you specific rights and you may also have other rights which may vary from state to state.