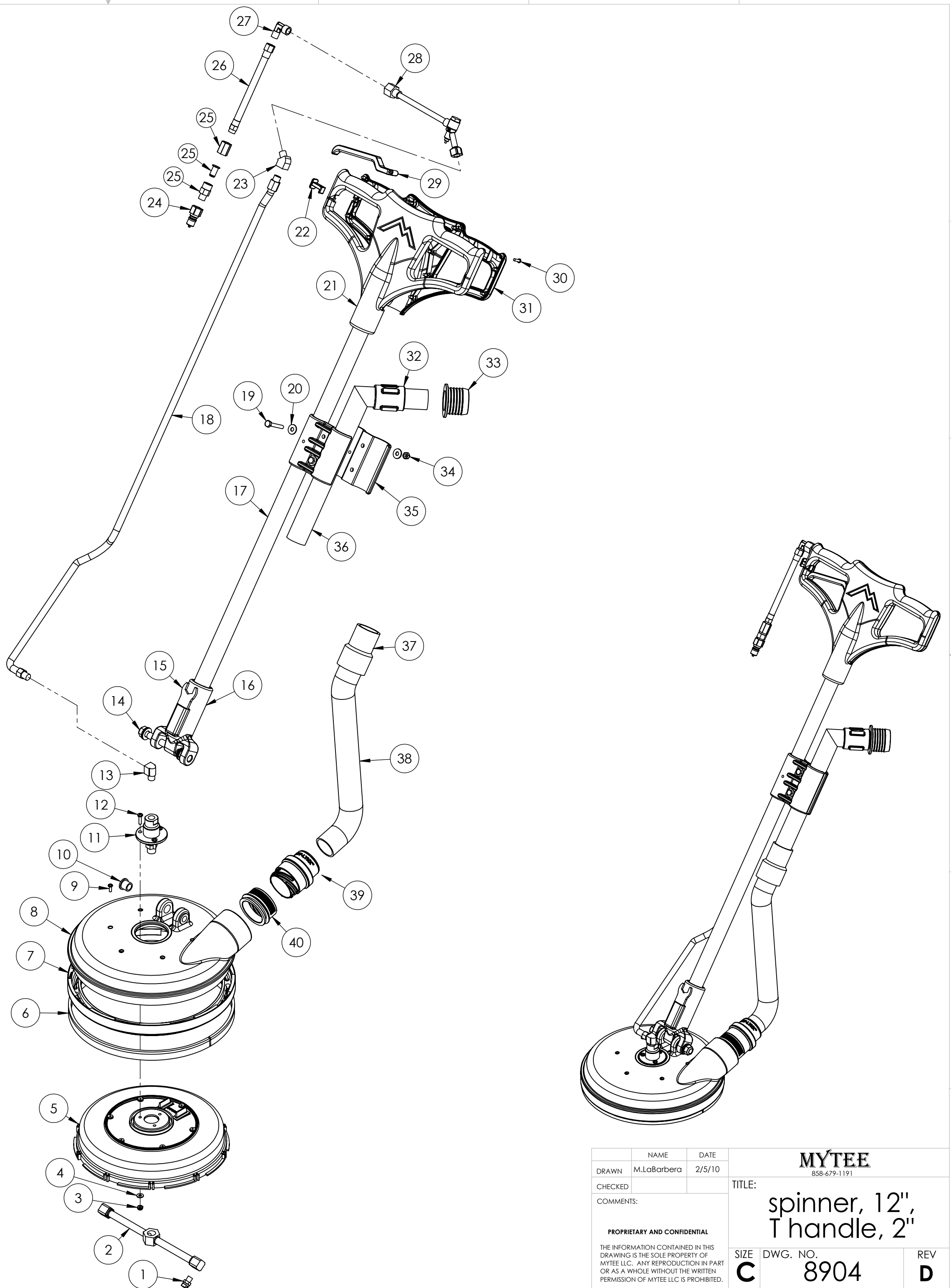


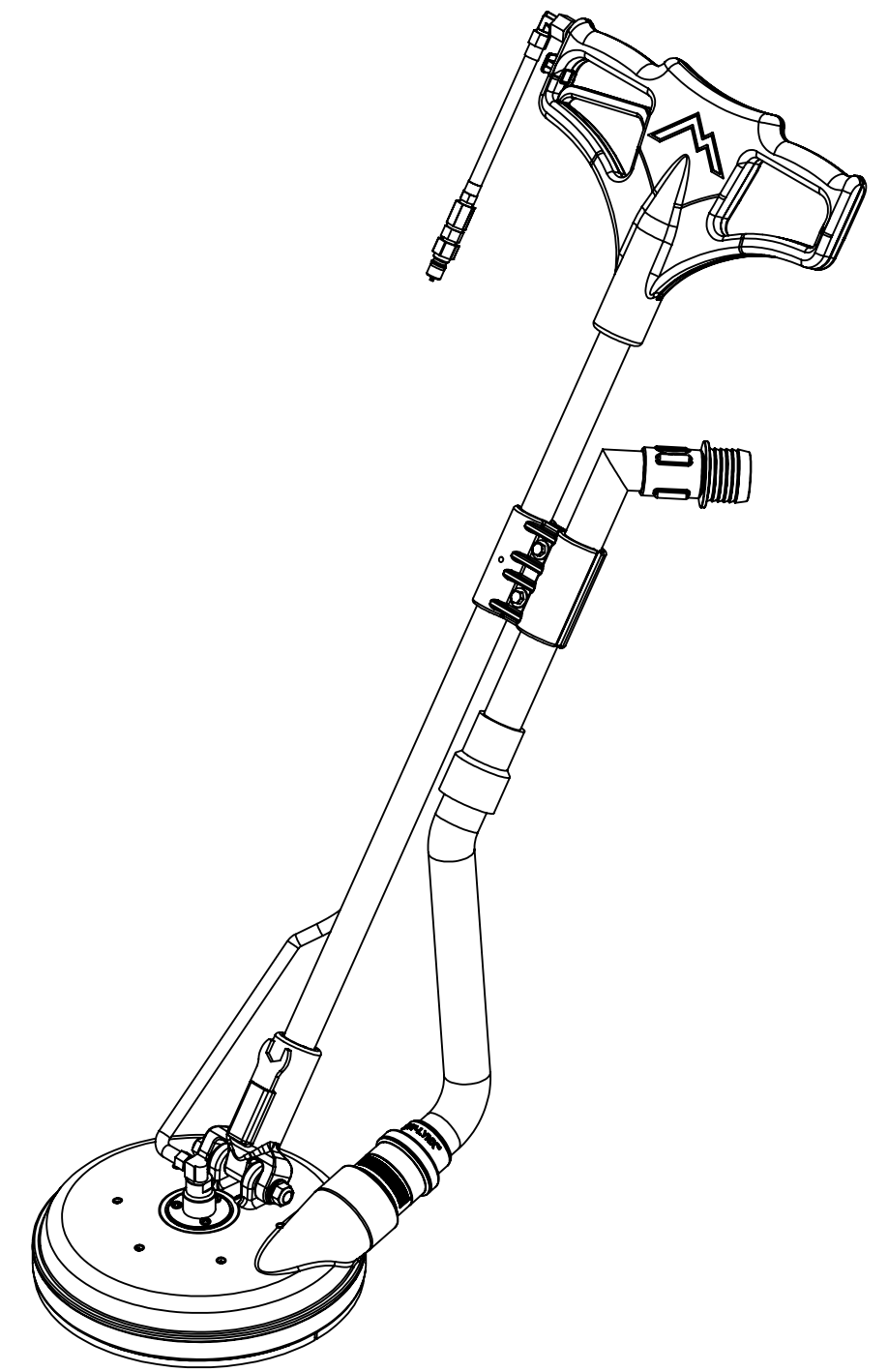
ITEM NO.	PART NO.	DESCRIPTION	QTY.
1	H505A	jet, s/s, 1/8", 1502	2
2	H441	bar, t, straight, 42 deg, 10"	1
3	H458	nut, lock, 10-32, thin pattern	3
4	H289	washer, 10 flat, s/s	3
5	P702B	manifold, bottom, spinner	1
6	G098	brush, spinner ring	1
7	P500	spinner ring, nylon	1
8	P702A	manifold, top, spinner, blue	1
9	H155	screw, 8-16 x 1/2", phil pan head, s/s	6
10	H465	BUSHING, 12mm ID, SPINNER	2
11	H926	rotary union, flange, spinner	1
12	H256	screw, 10-32 x 3/4", phil pan, s/s	3
13	B103	elbow, 90 deg street, 1/4"mpt x 1/4" fpt	1
14	H008	set; bolt, 2 lock nuts, 4 washers	1
15	H723	wrench, spinner	1
16	H102	yoke, spinner	1
17	H092	handle, "T", spinner	1
18	AH206	sol hose, 1/4" X 48", 1/4 msw X 1/4 mpt	1
19	H204	bolt, 1/4-20 X 1-3/4" hex head, s/s	2
20	H210	washer, 1/4" flat, s/s	4
21	P637A	handle, front half, spinner	1
22	P638	trigger lock, spinner	1
23	B130	45 deg, street elbow, brass, 1/4" male NPTF	1
24	B101	quick disconnect, 1/4" mqd x 1/4" fpt	1
25	B247	filter, in-line, 100 mesh, 1/4" mpt x fpt	1
26	AH122	sol hose, 1/4" x 7", 1/4 mpt x 1/4 fpt	1
27	B652	elbow, 90 deg, 3/8"mpt x 1/4"mpt	1
28	B540	valve, high pressure, spinner	1
29	P591	trigger, spinner	1
30	H676	screw, #8 x 5/8", phil pan, s/s	17
31	P637B	handle, back half, spinner	1
32	G082	cap, vacuum relief slot	1
33	P719	barb, 1-1/2" ID x 2" OD, spinners	1
34	H216	nut, lock, 1/4-20, nylon insert, s/s	2
35	H613A	clamp, spinner handle , 1.5" x 1.25"	2
36	H094	tube, vac, elbow, 1.5" dia, spinner	1
37	H300	cuff, hose, 1-1/2 x 1-1/2, wire	1
38	PH627-20	vac hose, 1.5" wire-reinforced	1
39	H145V	Cuff-Lynx, 2" male cuff x 1.5" fem vac hose	1
40	H113V	cuff, 2" fem cuff-lynx, no hose threads	1



	NAME	DATE	<b>MYTEE</b> 858-679-1191	
DRAWN	M.LaBarbera	2/5/10		
CHECKED			TITLE: <b>spinner, 12", T handle, 2"</b>	
COMMENTS:			SIZE DWG. NO.	REV
<small>PROPRIETARY AND CONFIDENTIAL</small> <small>THE INFORMATION CONTAINED IN THIS DRAWING IS THE SOLE PROPERTY OF MYTEE LLC. ANY REPRODUCTION IN PART OR AS A WHOLE WITHOUT THE WRITTEN PERMISSION OF MYTEE LLC IS PROHIBITED.</small>			<b>C</b>	<b>D</b>
			SCALE: 1:6	DO NOT SCALE DRAWING

**REVISIONS**

REV.	DESCRIPTION	DATE	APPROVED
OD	ORIGINAL DRAFT	-	JFL
A	ADDED H462 & G077	8/2013	JFL
B	ADDED P500 & G098	4/21/2014	ML
C	H505A REPLACES H505	6/16/2015	ML
D	H145V 2" MALE REPLACES 1.5" MALE IN DESCRIPTION	4/8/2026	JA



	NAME	DATE	<b>MYTEE</b> 858-679-1191	
DRAWN	M.LaBarbera	2/5/10		
CHECKED			TITLE:	
COMMENTS:			spinner, 12", T handle, 2"	
PROPRIETARY AND CONFIDENTIAL THE INFORMATION CONTAINED IN THIS DRAWING IS THE SOLE PROPERTY OF MYTEE LLC. ANY REPRODUCTION IN PART OR AS A WHOLE WITHOUT THE WRITTEN PERMISSION OF MYTEE LLC IS PROHIBITED.			SIZE	DWG. NO.
			<b>C</b>	<b>8904</b>
			SCALE: 1:6	DO NOT SCALE DRAWING
				REV
				<b>D</b>
			SHEET 2 OF 2	