

# INSTALLATION INSTRUCTIONS

Item#6203-44/66A/84 (New. 01/05/2023)

## READ AND SAVE THESE INSTRUCTIONS

**WARNING! SHUT POWER OFF AT FUSE OR CIRCUIT BREAKER.**

**AVERTISSEMENT! COUPER LE COURANT AU NIVEAU DES FUSIBLES OU DU DISJONCTEUR.**

### MOUNTING THE FIXTURE (Fig.1)

1. Shut off power at the fuse box or circuit breaker box and remove the old fixture, including the mounting hardware.
2. Carefully unpack your new fixture and lay out all the parts in a clear area. Take care not to misplace any small parts necessary for installation.
3. Attach the mounting plate (B) to outlet box (not included) using outlet box screws (C) (SIZE: #8-32N, L0.5"). The side of the mounting plate (B) marked "GND" must face out.
4. Adjust wire to desired hanging length using the small screw located on side of wire grip (F) with a flathead screwdriver (not included). Ensure to re-tighten set screw after wire adjustment. To straighten cord, please use a blow dryer (not included) if necessary.
5. Remove any excess wire leaving approximately 7" beyond canopy (E) for wire connections.

### CONNECTING THE WIRES (Fig.2)

6. Connect the electrical wires as shown in Fig.2, making sure that all wire connectors (A) are secured. If your outlet box has a ground wire (green or bare copper), connect the fixture's ground wire to it. Otherwise, connect fixture's ground wire directly to mounting plate (B) using green screw provided.
7. Tuck wire connections neatly into the outlet box.

### FINISHING THE INSTALLATION (Fig.1)

8. Place canopy (E) over mounting plate (B) and secure with screws (D).
9. Install (1) one medium base (E26) bulb (G) up to 60 watts each or CFL or LED equivalent (not included) in accordance with the fixture specification—**DC NOT EXCEED THE MAXIMUM WATTAGE RATING! (NE PAS DEPASSER LA PUISSANCE NOMINALE MAXIMALE!).**

Your installation is now complete. Return power and test the fixture.

Fig. 1

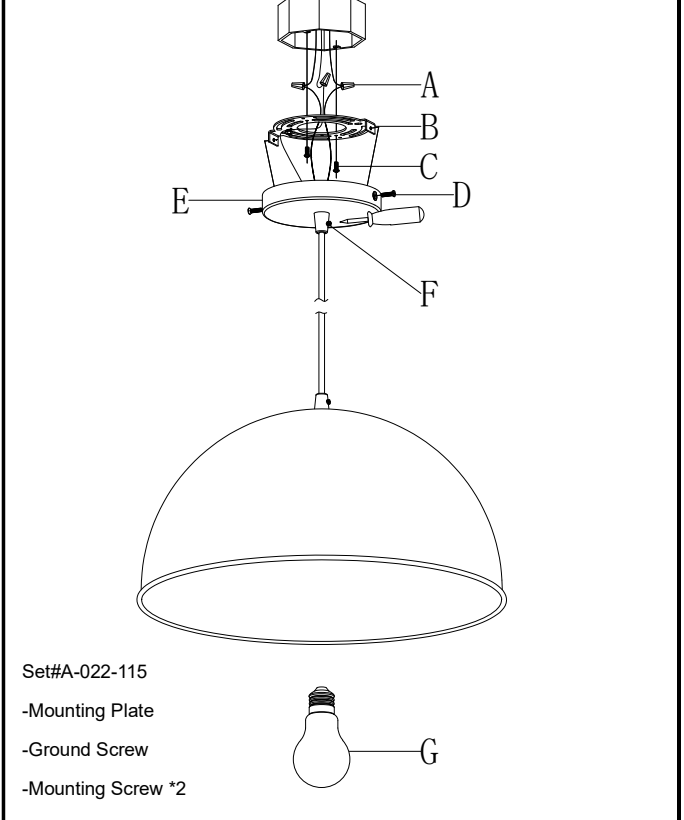
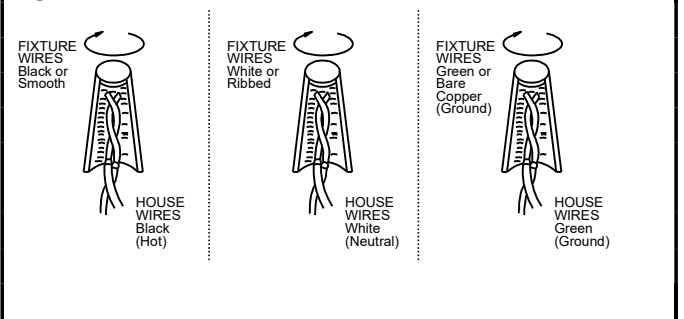


Fig. 2



**Note: Illustration (Fig.1) on this manual is for installation purposes only. It may or may not be identical to the fixture purchased.**

**IMPORTANT: FIXTURE SHOULD BE INSTALLED BY A QUALIFIED ELECTRICIAN TO ENSURE PROPER WIRING AND INSTALLATION.**