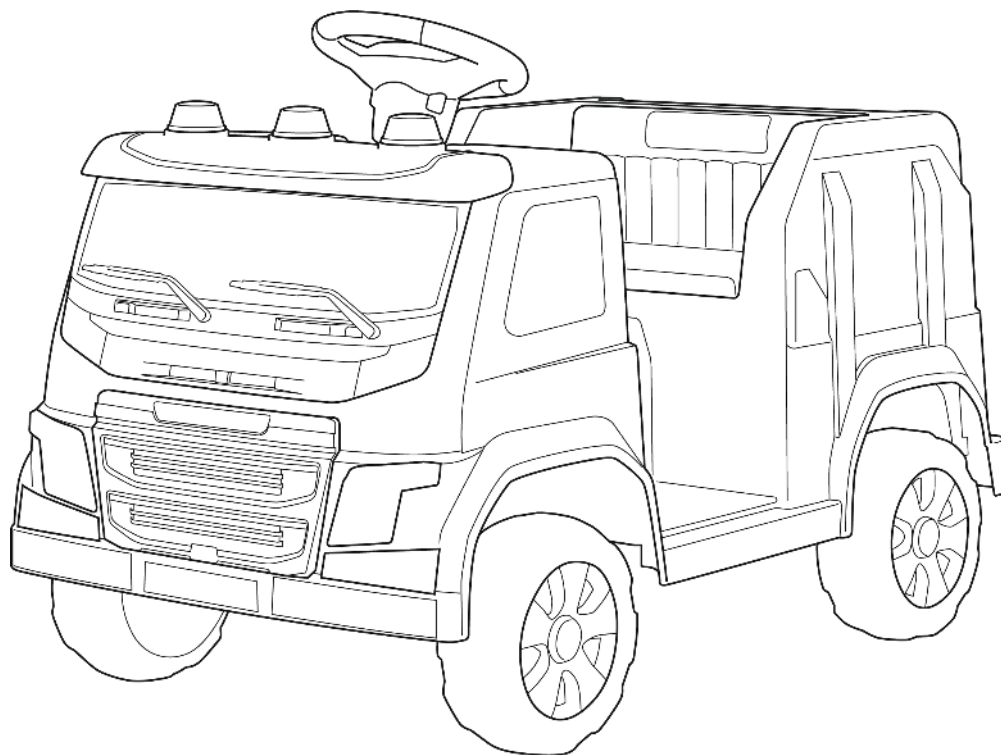


Kidzone®



Ride On Recycle Truck (6 Recycling Accessories Included)(6V)
Item number: 060-ROT-20



*Product appearance and colors may vary from the photo.

⚠ ATTENTION



This vehicle is packed with the battery disconnected. Connect the battery before use.

This manual contains important safety, performance and maintenance information. Read the manual thoroughly before allowing your child to ride your new electric ride-on toy. Failure to read the user manual can result in property damage or bodily injuries.

Keep this user manual for future reference.

Safety Instruction

When using electrical product, basic safety precaution should always be followed including the following:

Failure to follow the safety instructions may result in property damage, serious injury or death.

This owner's manual contains assembly, use and maintenance instruction, and child safety warning. Adult /guardian supervising children should read and understand this manual before allowing any child to use the product.

WARNING

BASIC SAFETY

- **This product is suitable for children age 18 months or older.**
- **Maximum users' weight for this product is 77.2 lb / 35 kg.**
- **To protect against electrical shock, do not immerse cord, charger, transformer, battery or the product in water or other liquid.**
- **Do not change, modify, or add any electrical wiring on the product. Alternations could potentially cause short circuit, a fire, or irreversible damage to the electrical system.**
- **Only use charger and battery specified or recommended by the manufacturer. Using the wrong type of battery or charger could cause a fire and potentially property damage and serious injury.**
- **For your children's safety, the product should be assembled by adult only.**
- **Never leave children unattended with the ride-on toy. Close and constant adult supervision is required when your child is operating this product.**
- **Adult and/or supervisors must instruct the user all common safety rules and safe practice.**
- **Disconnect the battery if not used for a long time.**
- **Do not use this product as a traffic tool.**
- **To reduce the risk of injury, adult supervision is required. Never use in roadways, near motor vehicles, on or near steep inclines or steps, swimming pools or other bodies of water; always wear shoes, and never allow more than 1 rider.**

WARNING

- **RISK OF FIRE.** Do not bypass. Replace only with original size and type.
- Do not use this product in any slippery conditions including rain, snow, and ice, or at any potential dangerous places. Always drive the vehicle on smooth surface, and do not drive the vehicle on the tall grass or rugged ground.
- For best performance use on flat, hard surfaces.
- Avoid using this product in tight environment to prevent damage to the product or injury to the user.
- Do not use this product in the dark. Only operate this product during daytime or well-lit area.
- Be aware and alert children that hands, legs, hair, clothing, and loose items can potentially get caught in moving parts. Avoid placing body parts on moving parts and do not wear loose clothing while using the ride-on toy.
- Avoid continuously hitting into obstacle to prevent overheating or damaging the motor. Drive away or remove obstacle as soon as possible.
- Be aware that this ride-on toy does not have braking capabilities. Allowing use of this ride-on toy in areas that require braking may cause rolls, crashes, serious injury, or death to the child rider.
- For your child's safety, make sure the seatbelt is securely fastened and the rider is wearing personal protective equipment, such as helmet, when operating this product.





WARNING

⚠ WARNING: Manufacturer and seller expressly disclaim any and all liability for personal injury, property damage or losses, whether direct, indirect, or incidental, resulting from the incorrect attachment, improper use, inadequate maintenance, unapproved modification, or neglect of this product.

⚠ WARNING: This toy is to be assembled by an adult. Contains potentially hazardous sharp edges and sharp points, or contains small parts before assembly. Keep children away when assembling the ride-on toy. Remove and dispose all protective materials, plastic bag, and packaging before assembly.

⚠ WARNING: Do not drive this vehicle into any puddle or contact with any liquids to avoid the electrical shock to product or user.

PREVENT FIRE

- Never modify the electrical system. Alterations could cause a fire resulting in serious injury and could also ruin the electrical system.
- Use of the wrong type of battery or charger could cause a fire or explosion resulting in serious injury.
- The battery must be handled by adults only. The battery is heavy and contains sulfuric acid(electrolyte). Dropping the battery could result in serious injury.
- Never allow children to charge the battery. Battery charging must be done by adults only.
- Never lift or carry the battery by the wires or connector. This can damage the battery and possibly cause a fire resulting in serious injury. Lift and carry the battery by the case only.
- Examine the battery, charger and their connectors for excessive wear or damage each time you charge the battery. If damage or excessive wear is detected, do not use the charger or the battery until you have replaced the worn or damaged part.
- Battery recharge in an average of 8 - 12 hours. Do not charge more than 20 hours, or you might over heat the battery and cause damage or a fire.



WARNING

FAILURE TO FOLLOW THE SAFETY INSTRUCTIONS LISTED BELOW MAY RESULT IN SERIOUS INJURY OR DEATH.

Child Safety Warnings

- **Adults supervising children must read and understand this entire manual before allowing any child to use this product.**
- **Adults must evaluate their own children as to maturity, strength, judgment and ability to follow safety rules. Published age guidelines are not a substitute for careful evaluation of your own child.**
- **Adults must teach children about thinking ahead while riding as this may be the first time a child has ever controlled a motorized ride-on toy. While you supervise, see through the child's eyes, and verbally teach them about steering and avoiding obstacles in the approved riding area.**
- **Riding a motorized ride-on toy can be a dangerous activity, even under the best of circumstances. Good choices regarding where and when to ride, constant adult supervision of riding, and practice and careful riding by the child can all help to minimize risk. However this ride-on toy is intended to move and therefore it is possible for the rider to lose control, fall off and/or get into dangerous situations that no amount of care, instruction or expertise can eliminate.**
- **If this inherent risk is not acceptable, adults should not allow children to ride this ride-on toy.**



WARNING

Safe Riding Warnings

- **Not to be used by children under 18 months.**
- **Do not exceed the maximum weight capacity of 77.2 lb / 35 kg.**
- **Do not allow more than one (1) rider.**

ADULTS AND SUPERVISORS, PLEASE NOTE:

- 1• **Always instruct all children of common sense rules and safe practices.**
- 2• **Be aware that flat, hard surfaces provide the safest experience for child riders.**
- 3• **Do not allow the child rider to operate the ride-on toy near streets, roads, sidewalks, walkways, or any other place where they may encounter other moving vehicles.**
- 4• **Never leave children unattended with this ride-on toy. Continuous adult supervision is required.**



WARNING

- 5• If necessary, adults and supervisors are always responsible for setting up gates and barriers to ensure a safe riding environment for the child rider.**
- 6• Be aware that this ride-on toy does not have braking capabilities. Allowing use of this ride-on toy in areas that require braking may cause rolls, crashes, serious injury, or death to the child rider.**
- 7• Sternly alert children that hands, legs, hair, and clothing can potentially get caught in moving parts. Ensure they never place a body part or piece of clothing near a moving part of the ride-on toy. Avoid loose clothing.**
- 8• Instruct children to always wear shoes when using the ride-on toy.**
- 9. Confirm that children do not have access to the charging equipment or come into contact with any part of the ride-on toy while it is charging.**
- 10. Firmly instruct children to use the ride-on toy in a safe manner. Unsafe behaviors include, but are not limited to:**
 - Traveling at unsafe speeds**
 - Not riding in the seated position**
 - Riding at night or in any conditions of low visibility**
 - Riding in any wet conditions including rain, snow, and ice**
 - Any kind of stunt riding: jumps, ramps, stairs, hills, sloped surfaces, or other actions involving any notable risk**
 - Any kind of off-road riding: rough terrain, dirt, mud, gravel, or any others that involve notable risk**
 - Riding near any pool or open body of water**
 - Pushing, pulling, or shoving the driver in any way while operating the ride-on toy**
 - Using the ride-on toy without the battery cover or any other safety cover fully closed**
 - Pulling or hitching the ride-on toy with other similar moving ride-on toys or products**



WARNING

Battery and Charging Warnings

The following safety hazards may result in serious injury or death to the user of the ride-on:

- Do not mix old and new batteries.
- Do not mix alkaline, standard (carbon-zinc), or rechargeable battery.



Corrosive Material Warnings

- Battery posts, terminals and related accessories contain lead and lead compounds (acids) chemicals and are toxic and corrosive. Never open the battery.
- Contact or exposure to battery leakage (lead acid) may cause serious injury. If contact or exposure occurs with the skin or in the eyes, or if the chemical is swallowed, call medical emergency immediately.



Flammable and Explosive Materials Warnings

- Use of a battery or charger other than the supplied rechargeable battery and charger may cause a fire or explosion. Only use the supplied rechargeable battery and charger with the ride-on toy.
- Do not charge the battery near heat or flammable materials.
- Using the rechargeable battery and charger for any other product may result in overheating, fire or explosion. Never use the rechargeable battery and charger with another product.
- Contact between the positive and negative terminals may result in fire or explosion. Avoid direct contact between the terminals. Lifting the battery by the wires or charger can cause damage to the battery and may result in a fire. Always lift the battery by its case or handles.
- Plug wall charger directly into a wall outlet. Do not use an extension cord when charging as the use of an extension cord can cause a fire.



Electric Shock / Fire Warnings

- Liquids on the battery may cause fire or electric shock. Always keep all liquids away from the battery and keep the battery dry.
- Tampering or modifying the electric circuit system may cause a shock, fire or explosion and permanently damage the system. Exposed wiring, circuitry in the charger may cause electric shock. Always keep the charger housing closed.

WARNING

- Regularly check charger, supply cord and connector for wear and damage. Look for frayed or kinked wires, any exposed inner wires, any missing insulation. If any damage is observed do not plug in the charger and do not charge the battery.

CAUTION

Re-Charge Interval and Time

- Damage to the battery may occur if it is allowed to drain completely. Do not allow the battery to drain completely.
- Check the battery and charger (supply cord, connector) for wear and damage before charging. Do not charge the battery if damage has occurred. Do not use an extension cord when charging the ride-on toy.
- On average you will need to charge the battery for 8-12 hours and no more than 20 hours. Failure to charge the battery as directed could cause permanent damage to the battery and void the warranty.
- Only an adult who has read and understands the safety warnings should handle, charge and recharge the battery.

WARNING

Product Warning

WARNING:

This product can expose you to chemicals, including Lead, which is known to the State of California to cause birth defects and or other reproductive harm, and Di (2-ethylhexyl) phthalate (DEHP), which is known to the State of California to cause cancer and birth defects or other reproductive harm. For more information, go to www.P65Warnings.ca.gov.

Assembly Warnings

- The ride-on toy must be assembled by an adult who has read and understands the instructions in this manual.
- This ride-on toy contains small parts that are for adult assembly only. Keep small children away when assembling.
- Remove and dispose of all protective materials, plastic bags and packaging before assembly.

Product Specification

Model No.: 060-ROT-20

Battery: 6V 4Ah

Charger input: 100-120 V AC

Charger output: DC 6V 500 mA

Drive Motor: 14500 RPM

Speed: 1.5 mph (2.5 km/h)

Suitable Age: 18+ months

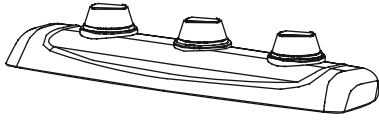
Maximum User Weight: 77.2 lb / 35 kg

Dimension: 33.46" x 20.08" x 22.83" (850mm x 510mm x 580mm)

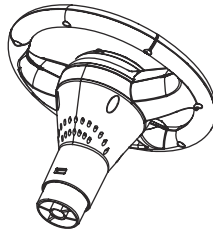
Battery Charge Time: 8 - 12 hours

Operation Time: 40-50 Minutes

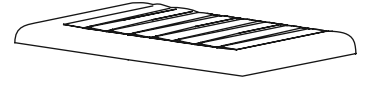
Parts and Feature



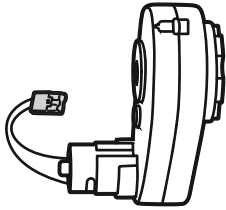
A. Light Bar
1x



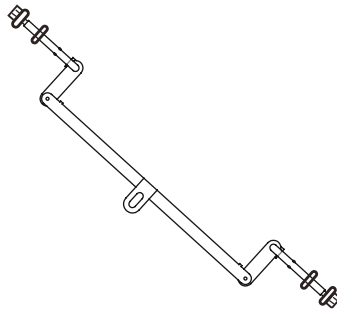
B. Steering Wheel
1x



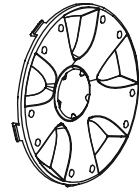
C. Seat
1x



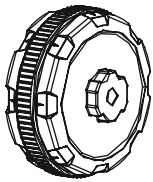
D. Motor
1x



E. Steering Bracket
1x



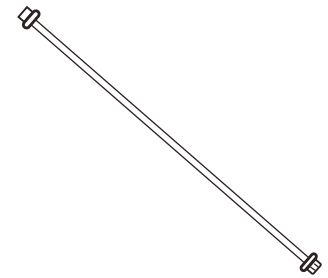
F. Hub Cap
4x



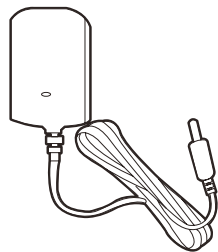
G. Wheel
4x



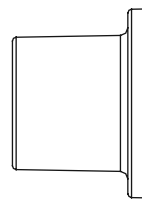
H. Positioning Rod
1x



I. Rear Axle
1x



J. Charger
1x



K. Motor Bushing
1x

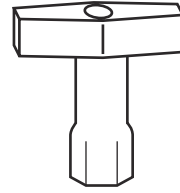
Parts and Feature



L. Washer
8x



M. M10 Nut
4x



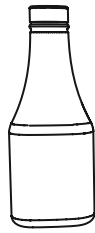
N. M10 Spanners
2x

Note: All washers & M10 Nuts are pre-installed on the front axle and rear axle.

Accessories



O
1x



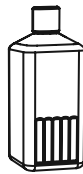
P
1x



Q
1x



R
1x



S
1x

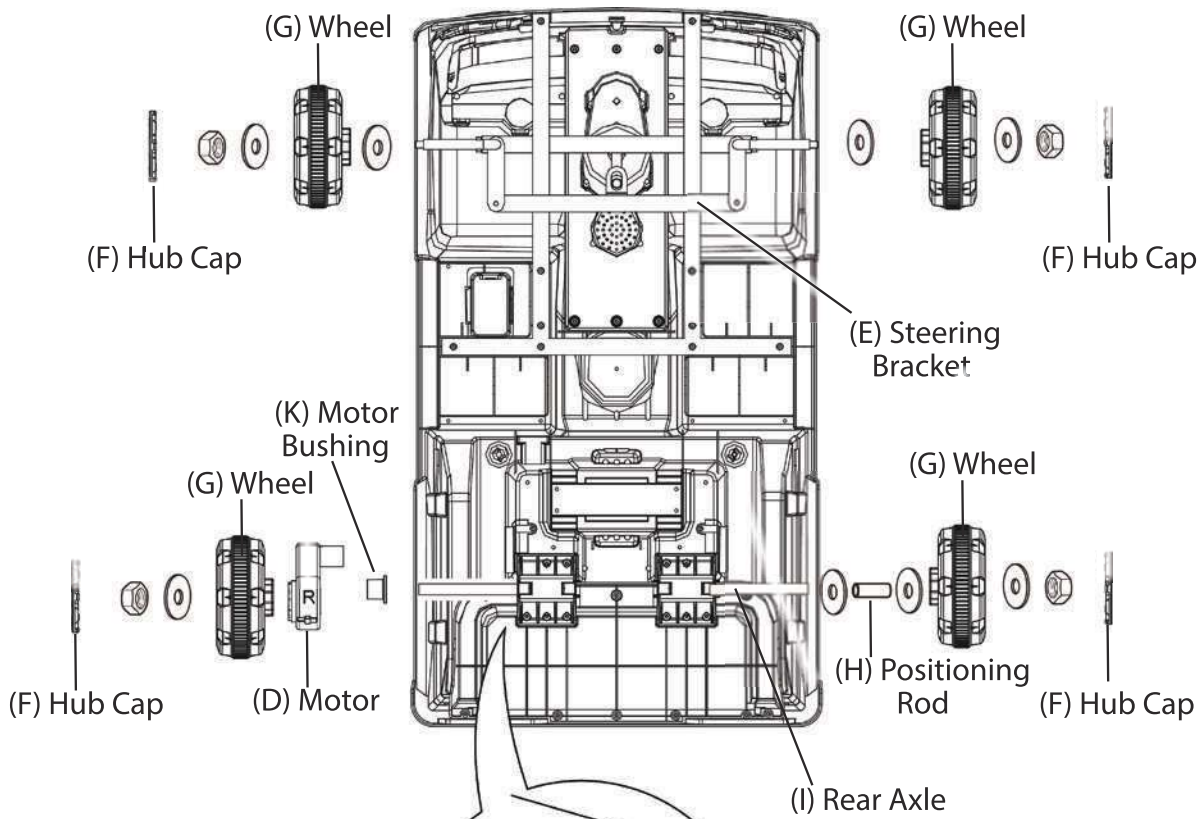


T
1x

Assembly Instruction

⚠ WARNING!

This product should only be assembled by an adult. Children can be harmed by small parts, sharp edges and points or by electrical items. Care should be taken when unpacking and assembling the vehicle.



Note: All washers & M10 Nuts are pre-installed on the front axle and rear axle, please detach them before assemble.

Front wheels assembly:

- Assemble washer, wheel, to the front steering bracket, secure with a washer and a M10 nut, then cover with a hub cap. Repeat the same process on the other side.

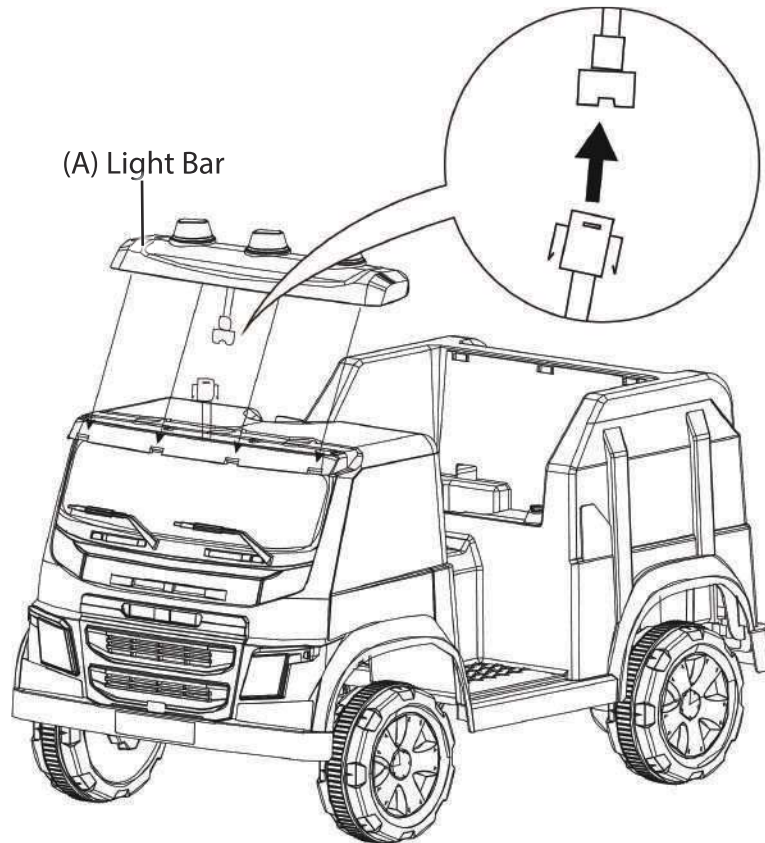
Rear drive wheel assembly:

- Insert the rear axle through the two rear axle holders, assemble motor bushing, motor, and a wheel to the rear axle on the right side of the vehicle (it's left side when turn over), secure with a washer and a M10 nut, then cover with a hub cap.

Rear normal wheel assembly:

- Assemble a washer, positioning rod, following by another washer and a wheel to the rear axle on the left side of the vehicle (it's right side when turn over), secure with a washer and a M10 nut, then cover with a hub cap.

Assembly Instruction



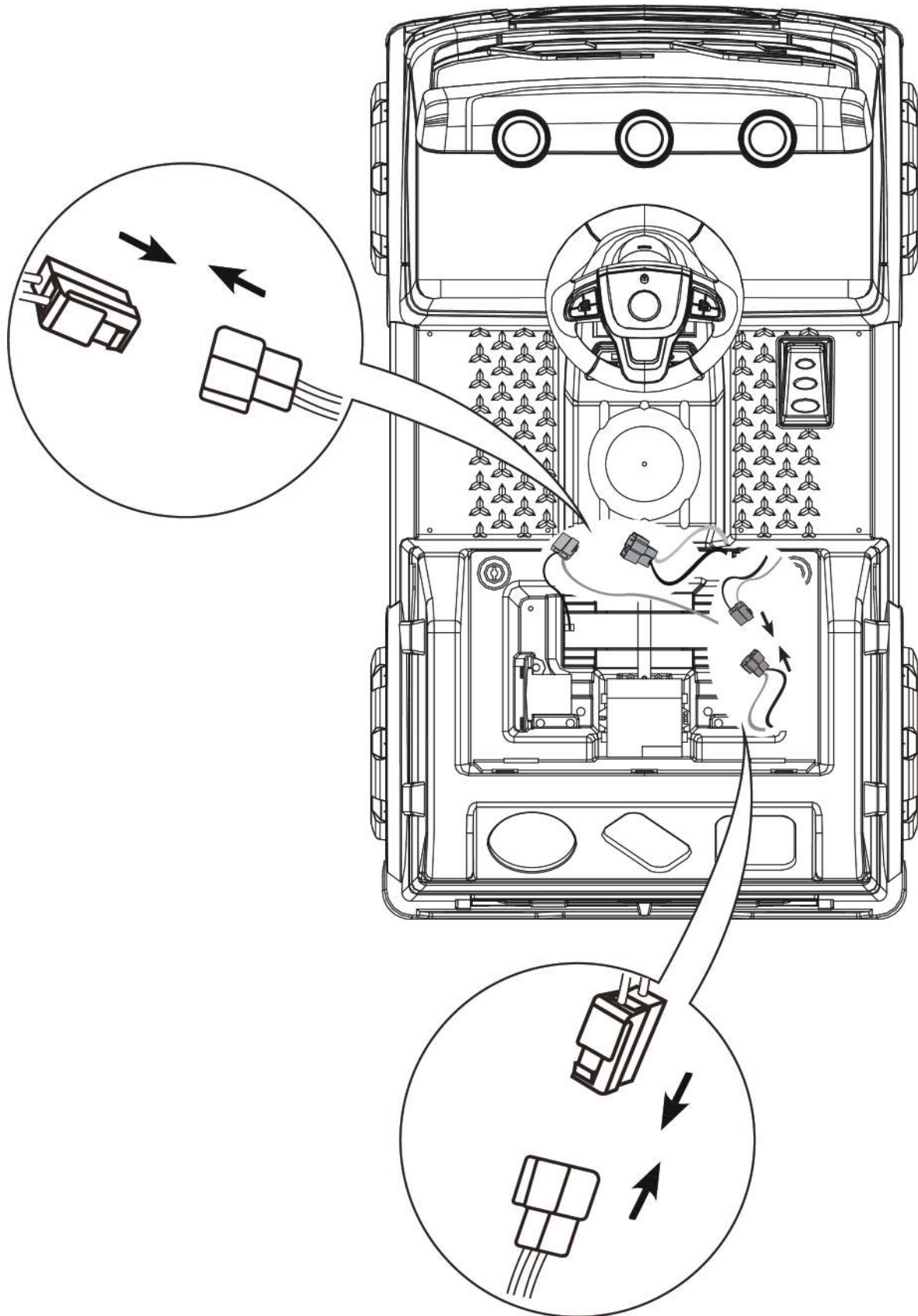
- Connect the electrical plug from the light bar to the vehicle. Then attach the light bar module on the top of the vehicle.



- Assemble the steering wheel to the vehicle.

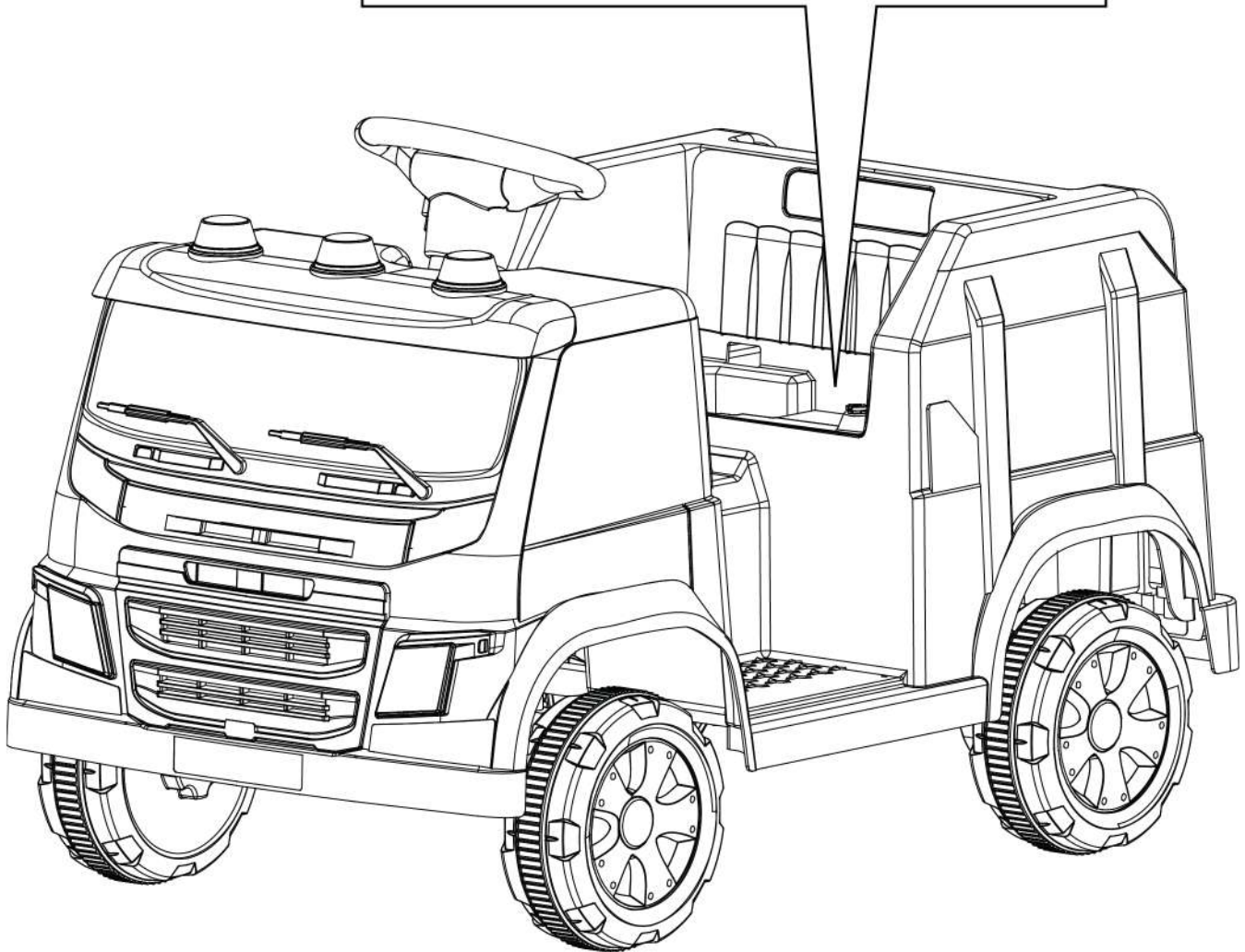
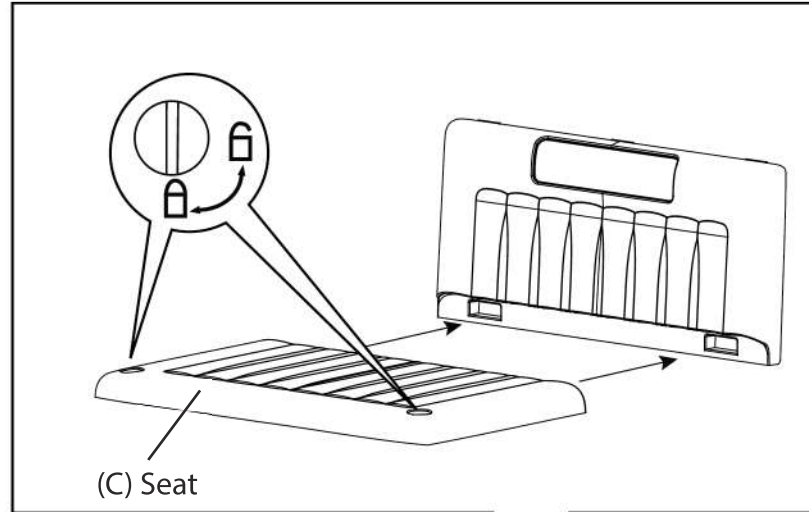
Note: Please align the steering wheel to the steering shaft during assemble, it only with unique direction.

Assembly Instruction



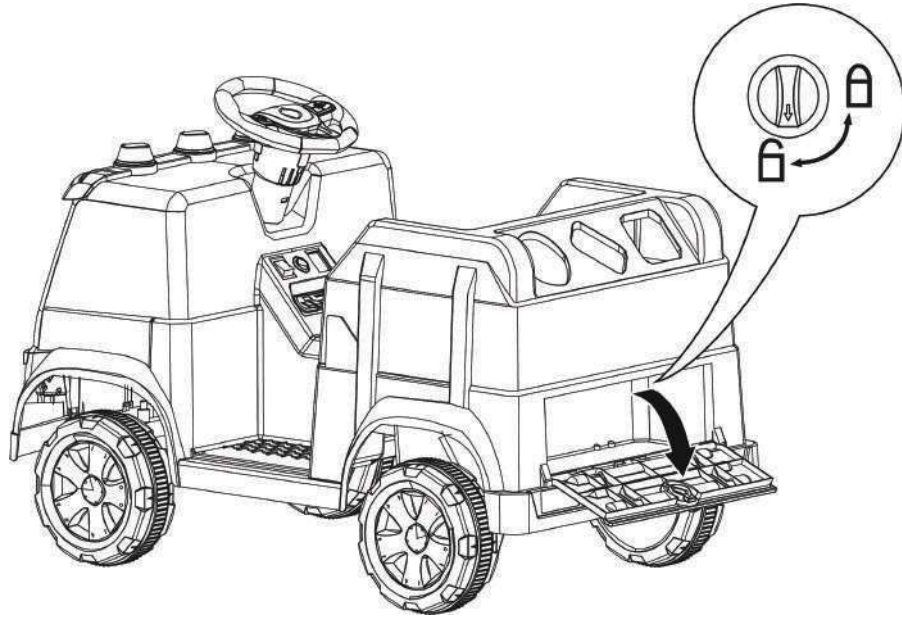
- Connect the electric plugs from the battery to that of the vehicle and the electric plugs from the motor. Red to Red, White to White. The red male plug connect to red female plug, the white male plug connect to white female plug.

Assembly Instruction

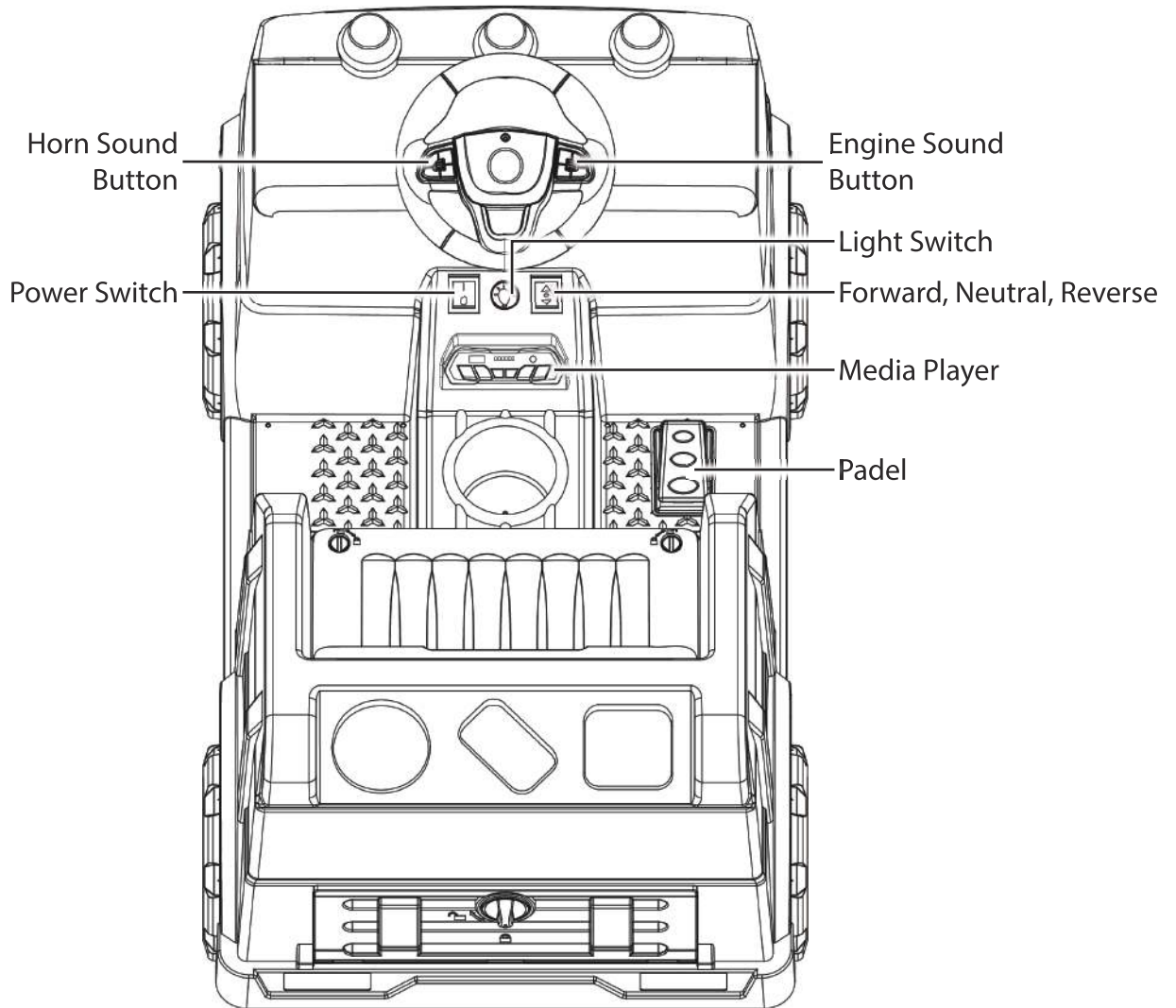


- Attach the seat to the vehicle, turn the locking knob to secure the seat in place.

User Instruction



- The back storage box door can be opened by unlock the locking knob.



User Instruction

Control the vehicle

Horn Sound Button

Press the horn sound button to horn.

Power Switch

Flip the power switch to turn ON or OFF the vehicle.

Engine Sound Button

Press the engine sound button to make engine sound.

Light Switch

Flip the light switch to turn ON or OFF the light bar and the front light.

Forward, Neutral, Reverse Switch

Flip the switch to change the vehicle moving direction.

 Do not change between forward and reverse until the vehicle comes to a complete stop.

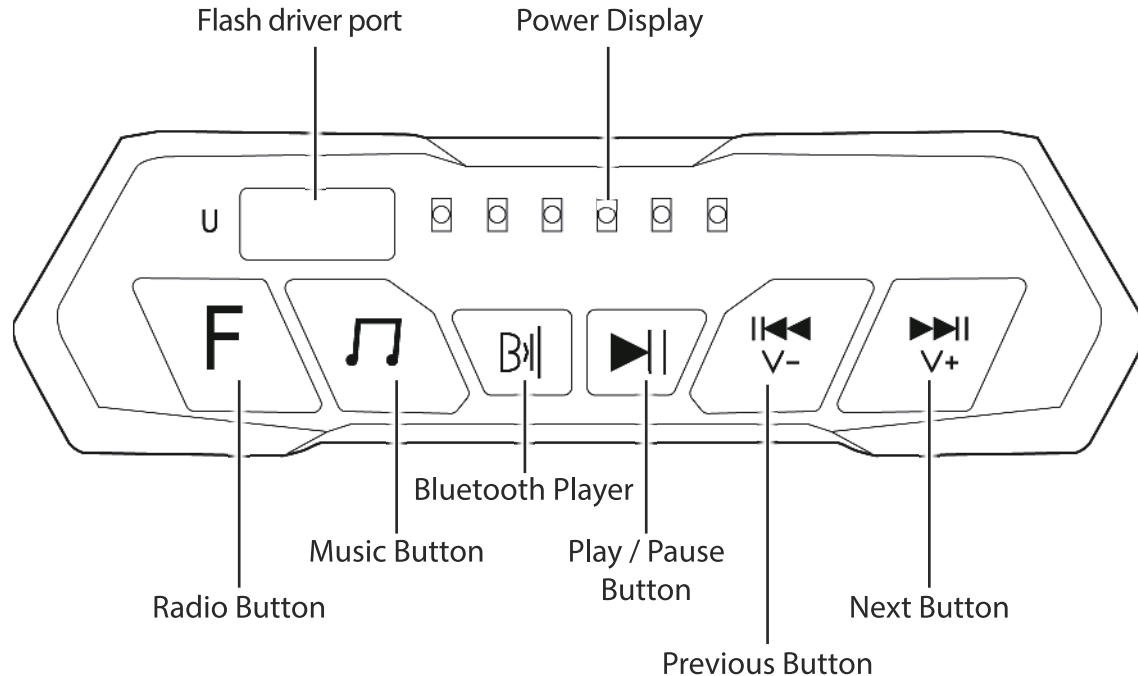
Media Player

Use the media player to play music.

Padel

Press the Padel to move the vehicle. Release the Padel to stop the vehicle.

User Instruction (Media Player)



Control the media player

Power Display

The display light will show an estimate of the battery level.

Flash driver port

Insert the flash driver to play the music. It only support MP3 file, and cannot work well if the capacity of flash driver exceed 16 GB.

Radio Button

Press the radio button to play radio.

Press and hold the radio button for 2 seconds until you hear a beeping sound to search radio station automatically.

Press the Previous/Next button to choose the searched channel.

Music Button

Press the music button to play music.

Bluetooth Player

Press the bluetooth player button to connect a device via bluetooth.

Bluetooth Connection

To connect your mobile device to the vehicle, turn on the Bluetooth and select "Kidzone Ride-On".

Music can be played from the vehicle speaker according to the user preferences. To disconnect your mobile device to the vehicle speaker, turn off the Bluetooth.

Play / Pause Button

Press once to play the music, press again to pause the music.

Previous Button

Press once to play the previous track.

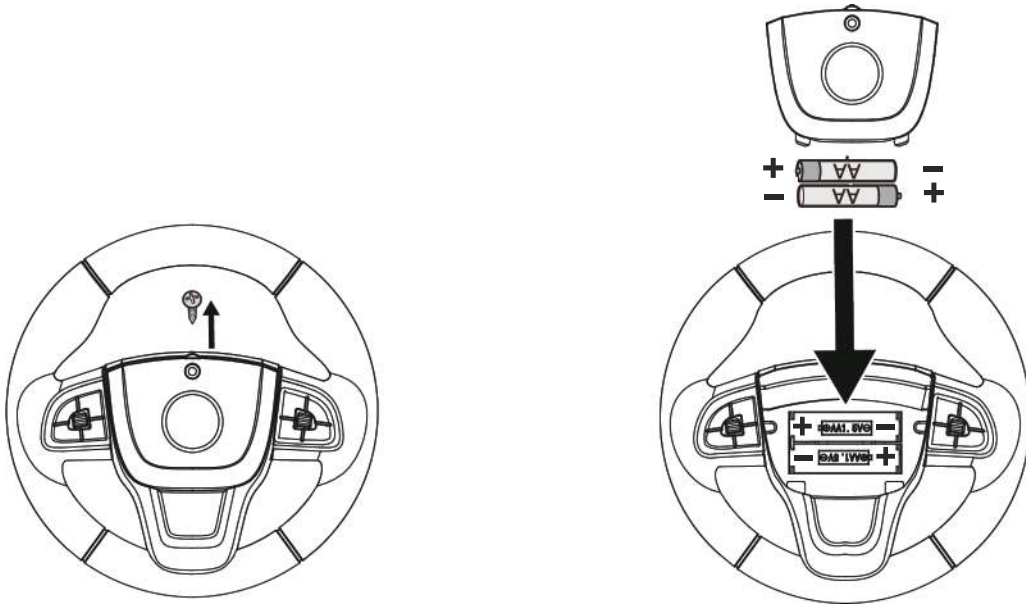
Press and hold to decrease the volume.

Next Button

Press once to play the next track.

Press and hold to increase the volume.

User Instruction (Steering Wheel)



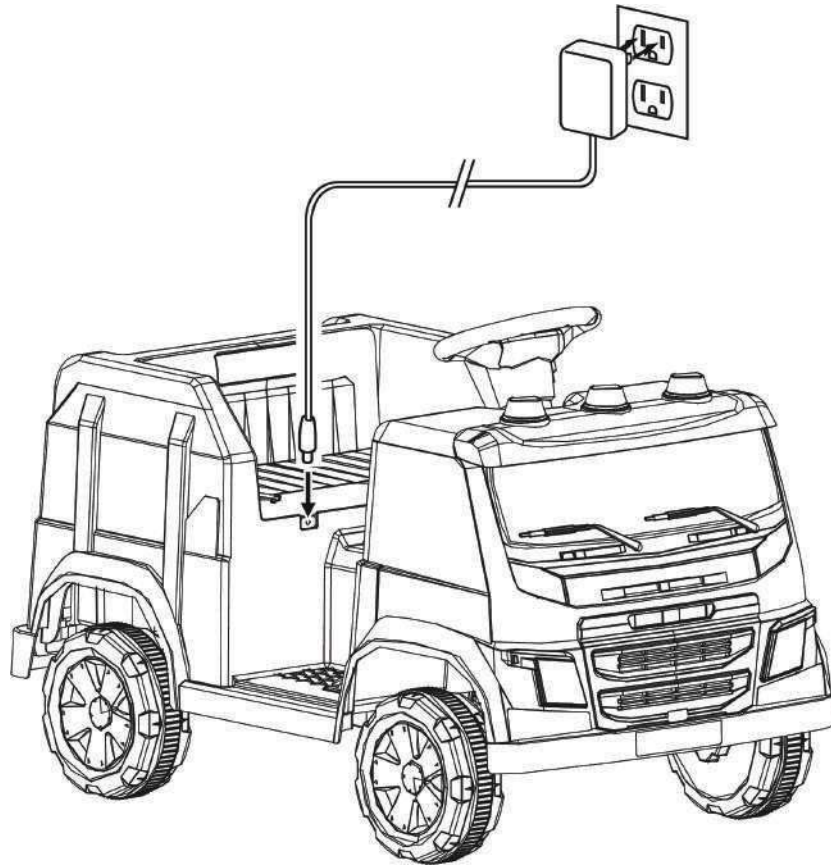
Change Battery on the steering wheel

1. Remove the cover by unscrewing the screw on the steering wheel.
2. Insert 2 (two) AA 1.5v batteries in correct polarity.

⚠ WARNING

- Do not recharge non-rechargeable battery.
- Remove and properly dispose or recycle dead battery.
- Do not mix old and new batteries.
- Do not mix alkaline, standard (carbon-zinc), or rechargeable batteries.
- Battery should only be changed by an adult who has read and understand the safety warnings.

User Instruction (Charging)



⚠ WARNING!

The battery should only be charged by an adult. The battery is not replaceable.

Charging the battery

1. Locate the charging port under the seat.
 2. Connect the charger to the charging port.
 3. Plug the charger into a wall outlet. The battery will start charging.
 4. The indicator on the charger will turn red during charging, and turn to green once charging complete.
- The vehicle must be OFF when charging.
 - Recharge the battery if the vehicle operates slowly.
 - DO NOT operate the vehicle during charging.

NOTE:

- Damage to the battery may occur if it is completely drained.
- Charge the battery for 15 - 18 hours before the first time.
- Charge the battery for about 8 - 12 hours.
- Do not charge the battery for more than 20 hours.
- Charge the battery at least once a month even if not operating the vehicle for a long time to maximize the battery life.
- Do not charge or store the battery upside down.
- Keep the charger and battery away from flames, sparks, or any flammables.

Care and Maintenance

- Check the product regularly and make sure there is no missing or loose parts. Re-tighten any loose parts if necessary.
- Make sure there is no cracked or broken plastic parts.
- Store the product away from heat source when not using, cover it with a tarp and away from wet weather.
- Turn off the product and disconnect the battery if the product is not use for a long period of time.
- Clean the vehicle with a cloth. Use a non-wax furniture polish to restore the shininess of the plastic parts. Do not use abrasive cleaner.
- Do not wash the product with a hose or immerse any parts in water or other liquid.
- Occasionally use lightweight oil to lubricate moving parts.
- Regularly charge the battery to prolong the battery life.

Troubleshooting

Problem	Possible Reason	Solution
Vehicle does not move	Low Battery	Fully charge the battery
	Fuse Protection	Fuse will reset automatically in about 10 seconds
	Disconnected / Badly connected battery	Reconnect the battery
	Failed battery / engine	Contact Customer Service
Battery not last long	Low Battery	Fully charge the battery
	Old / Damaged Battery	Replace battery if necessary
Vehicle runs very slow	Low Battery	Fully charge the battery
	Old Battery	Replace battery if necessary
	Vehicle is overloaded	Make sure user's weight is under 77 lb / 35 kg
	Vehicle is being used in harsh environment	Avoid using the vehicle in harsh environment

Troubleshooting

Problem	Possible Reason	Solution
Vehicle needs a push to go forward	Poor wire connection	Check if the battery connectors are firmly connected. Contact Customer service if necessary
	"Dead spot" on motor	Contact customer service
Loud grinding sound or clicking sound from the motor or gear box	Damaged motor or gear box	Contact customer service
Battery does not charge	Disconnected / Badly connected battery	Reconnect the battery
	Disconnected / Badly connected charger	Make sure the charger is firmly plugged into the power source and connected to the charging port
	Charger not working	Contact customer service
Vehicle does not stop	Damaged equipment	Contact customer service
Charger becomes warm during charging	Normal	N/A

Model No.: 060-ROT-20

FCC ID: 2A6EM-CH9966

This device complies with part 15 of the FCC rules. Operation is subject to the following two conditions:

- (1) this device may not cause harmful interference, and
- (2) this device must accept any interference received, including interference that may cause undesired operation.

NOTE: This equipment has been tested and found to comply with the limits for Class B digital device, pursuant to part 15 of the FCC rules. This limits are designed to provide reasonable protection against harmful interference in a residential installation. This equipment generates, uses and can radiate radio frequency energy and if not installed and used in accordance with the instructions, may cause harmful interference to radio or television reception, which can be determined by turning the equipment off and on, the user is encouraged to try to correct the interference by one or more of the following measures:

- Reorient or relocate the receiving antenna.
- Increase the separation between the equipment and the receiver.
- Connect the equipment into an outlet on a circuit different from that to which the receiver is connected.
- Consult the dealer or an experienced radio /TV technical for help.

Caution: Changes or modifications not expressly approved by the party responsible for compliance could void the user's authority to operate the equipment.

This Product conforms to toy safety standards CPSIA and ASTM-F963.

Importer: ONE BIG OUTLET

Importer Address: 19301 E. Walnut Dr N. City of Industry, CA 91748 United States

Importer Tel: 1-800-946-6151

Limited Term Warranty (One Year from Date of Purchase)

WARRANTY TERMS

KIDZONE warrants that its merchandise are free from manufacturing defects (workmanship and/or material) and will either give credit or replace defective parts for a period of up to one (1) year from the date of purchase in accordance with the conditions set forth below. If a manufacturing defect is found, KIDZONE should be notified promptly of the defect and supplied a copy of the invoice and delivery ticket. Inspection by a KIDZONE employee or representative may be necessary to verify that a manufacturing defect exists, or you may be required to submit samples to KIDZONE along with a digital image of the defects. If replacement is required in accordance with this warranty and the defective material or merchandise has been discontinued or unavailable, KIDZONE reserves the right to select and supply similar merchandise or offer full credit for the merchandise; otherwise the same material or merchandise will be supplied for replacement purposes. This warranty is made solely to the retailer and is not transferable under any circumstances. It is the retailer's responsibility to contact KIDZONE with a claim. We will not handle claims from consumers directly; all requests must go through the retailer who sold the merchandise to the consumer. We advise all retailers to retain invoices for a minimum of one (1) year for warranty purposes. This warranty supersedes and replaces all implied warranties of merchantability and use for particular purpose. No representative, employee, agent or any other person is authorized to assume for KIDZONE any additional liability or responsibility in connection with KIDZONE's merchandise except as described above. Implied warranties or merchantability and fitness of the merchandise are limited to a period of one (1) year from the date of purchase. In no event shall KIDZONE be liable for indirect, consequential or incidental damages of any kind.

ADDITIONAL CONDITIONS

THE FOLLOWING EXAMPLES ARE NOT MANUFACTURER'S DEFECTS:

- Colors may vary slightly from the photo because of photography and printing tolerances.
- Sizes stated in U.S. standard measurements may vary slightly due to product are manufactured using the metric system.
- No returns for buyer's remorse.
- No returns - other than stated above will be accepted.

ADDITIONAL CONDITIONS

WARRANT IS VOID FOR ANY OF THE FOLLOWING CONDITIONS:

1. Improper maintenance or improper use resulting in damage.
2. Any product modifications by dealer, consumer, or other parties not authorized by KIDZONE will void this warranty.
3. Floor samples sold or products designated "AS IS" at the time of purchase are not covered by the warranty
4. Warranty does not cover minor variations or differences between floor samples or printed illustrations and your product.
5. Cost of packaging and shipping to and from KIDZONE is not covered by the warranty unless expressly arranged by KIDZONE.
6. This warranty covers only articles of appliances intended for residential use only, does not cover any industrial, commercial, institutional or Rental use.
7. Dissatisfaction due to buyer's remorse.
8. Normal wear and tear.
9. Damages incurred during transportation.
10. Damages incurred during assembling or maintenance.
11. Damage incurred by accidents or abuse.

V1-2022-9-29