



Licensed RAM 3500 Ride On (12V)

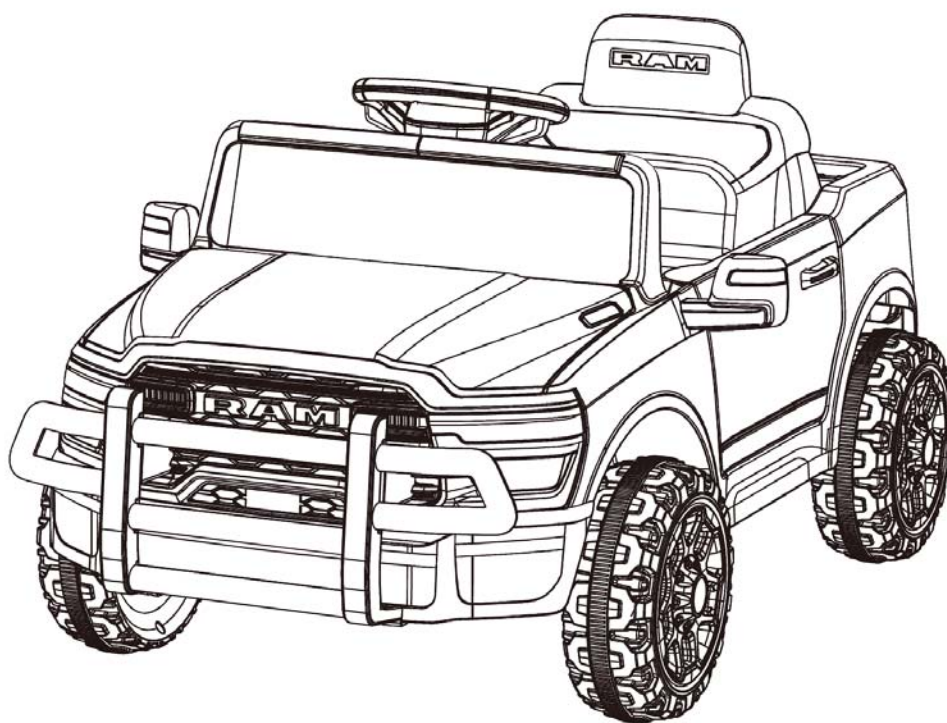
060-ROT-40L

Owner's Manual

*Product appearance and colors may vary from the photo.

⚠ WARNING

This product should only be assembled by an adult.

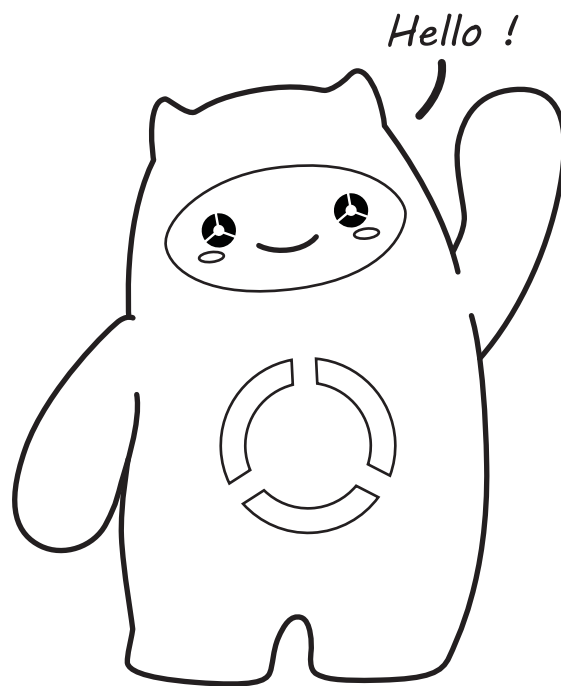


www.kidzonetoys.com

For Age
37 - 72
Mo

Welcome to Kidzone's world of ride-ons where fun and adventure await! Little ones have a blast riding our toys at home, in the park, or on the sidewalk.

At Kidzone, our goal is to make playtime more fun for kiddos, while ensuring comfort and safety. Our ride-ons help create joyful moments for the entire family that'll turn into forever memories!



⚠ ATTENTION

This owner's manual contains important safety, performance, and maintenance information.

Read the manual before allowing your child to ride on the product.

Keep this manual for future reference.

Table of Contents

04	Safety Instruction
06	Product Specification
07	Parts and Accessories
08	Assembly Instruction
13	User's Instruction
16	User's Instruction Charging
17	Care and Maintenance
18	Troubleshooting
20	Warrenty Information

Safety Instruction



When using electrical product, basic safety precaution should always be followed including the following:

Failure to follow the safety instructions may result in property damage, serious injury or death.

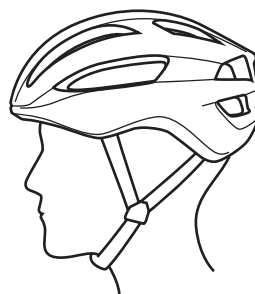
ATTENTION

DISCLAIMER

- Manufacturer and seller expressly disclaim any and all liability for personal injury, property damage or losses, whether direct, indirect, or incidental, resulting from the incorrect attachment, improper use, inadequate maintenance, unapproved modification, or neglect of this product.

BASIC SAFETY

- This product is only designed to be used by children age 37 - 72 months old.
- Do not exceed the maximum weight capacity of 66 lb / 30 kg.
- Do not allow more than one (1) rider.
- Adult and/or supervisors must instruct the user all common safety rules and safe practice.
- This product should be operate on a flat and smooth surface. Do not allow children to operate the ride-on toy near public road, raceway, near motor vehicle, on or near steep inclines or steps, in any slippery conditions including rain, snow, and ice, or at any potential dangerous places.
- Do not use this product as a traffic tool.
- Never leave children unattended with the ride-on toy. Close supervision is necessary when your children is using the product.
- If necessary, adult and/or supervisors should be responsible for setting up gate and barriers to ensure a safe environment for child rider.
- Be aware and alert children that hands, legs, hair, clothings, and loose items can potentially get caught in moving parts. Avoid placing body parts on moving parts and do not wear loose clothing while using the ride-on toy.
- Avoid using this product in tight environment to prevent damage to the product or injury to the user.
- This product does not equip with brakes. Do not use this product in areas that requires active braking to prevent possible rolls, crashes, or bodily injury.
- Do not use this product in the dark. Only operate this product during daytime or in a well lit area.
- Avoid continuously hitting into obstacle to prevent overheating or damaging the motor. Drive away or remove obstacle as soon as possible.
- For your child's safety, make sure the seatbelt is securely fasten and the rider is wearing personal protective equipment, such as helmet, when operating this product.



Correct Fitting

Make sure the helmet covers your forehead.



Incorrect Fitting

Forehead is exposed and vulnerable to injury.

CAUTION

Failure to follow these instruction may result in permanent damage to the product or parts.

CELL BATTERY AND RECHARGEABLE BATTERY HANDLING

- Do not mix old and new batteries.
- Do not mix alkaline, carbon-zinc, or rechargeable batteries.
- Permanent damage to the battery may occur if it is completely drained. Do not let the battery to drain completely.
- On average, you will need to charge the battery for 8 - 12 hours. Do not charge the battery for more than 20 hours. Failure to charge the battery as directed could cause permanent damage to the battery and void the warranty.
- Only an adult who has read and understands the safety instruction should handle, charge, and recharge the battery.
- Disconnect the battery if not used for a long period of time.

WARNING

Failure to follow these instruction may result in bodily harm, serious injury, or death.

CHOCKING HAZARD, ASSEMBLY WARNING

- This product contains small parts before assembly. Keep children away when assembling the ride-on toy. The assembly should only performed by an adult.
- Remove and dispose all protective materials, plastic bag, and packaging before assembly.
- This product should not be used by children under the age of 37 months old.

ELECTRIC SHOCK, FIRE HAZARD, FLAMMABLE AND EXPLOSIVE WARNING

- To protect against electrical shock, do not immerse cord, charger, transformer, battery or the product in water or other liquid.
- Do not drive the vehicle into any puddle or contact with any liquid to prevent electrical shock.
- Do not change, modify, or add any electrical wiring on the product. Alternations could potentially cause short circuit, a fire, or irreversible damage to the electrical system.
- Only use charger and battery provided or recommended by the manufacturer. Using the wrong type of battery or charger could cause a fire and potentially property damage and serious injury.
- Check the battery, charger, and connectors for any sign of excessive wear or damage each time you charge the battery. Do not use the charger or the battery if damages are present. Change and replace damage part before use.
- Do not lift or carry the battery by the wires or charger. You might damage the wires and case electric shock or fire.
- Do not charge more than 20 hours. You might over heat the battery and cause damage or a fire.
- Do not charge the battery outdoor.

CORROSIVE CHEMICAL, PRODUCT MATERIAL WARNING

- Contact or exposure to battery leakage may cause serious injury. If contact or exposure occurs to the skin or in the eyes, or if the chemical is swallowed, call medical emergency immediately.
- Battery posts, terminals, and related accessories contain lead and lead compounds which are toxic and corrosive. Never open the battery.
- This product can expose you to chemicals, including lead, which is known to the State of California to cause birth defects and or other reproductive harm, and Di (2-ethylhexyl) phthalate (DEHP), which is known to the State of California to cause cancer and birth defects or other reproductive harm. For more information, go to www.p65warnings.ca.gov.

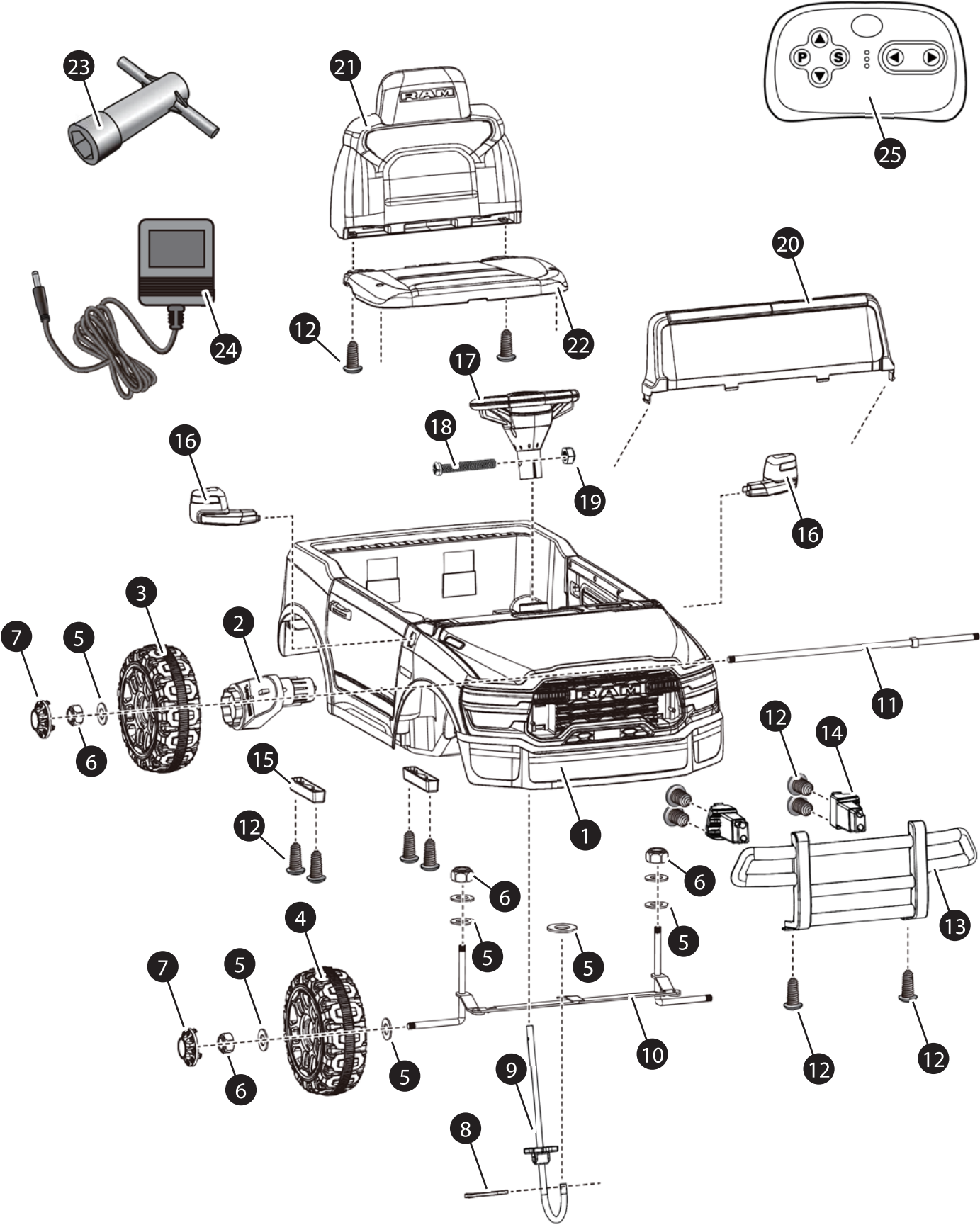
Product Specification



Model no.	060-ROT-40L
Battery	12v 4.5ah
Charger output	DC 12 v 500 mA
Batter Charge Time	8 - 12 hours
Speed	1.8 - 3.1mph (3 - 5km/h)
Suitable Age	37 - 72 months old
Maximum User Weight	66 lb / 30 kg



Parts and Accessories



Parts and Accessories



1	Vehicle Body	1	14	Bull Bar Mount	1 Pair
2	Motor	2	15	Rear Support	1 Pair
3	Rear Wheel	2	16	Side Mirror	1 Pair
4	Front Wheel	2	17	Steering Wheel	1
5	M10 Washer	11	18	M5 x 30 Machine Screw	1
6	M10 Lock Nut	6	19	M5 Lock Nut	1
7	Hub Cap	4	20	Windshield	1
8	Split Pin	1	21	Seat Backrest	1
9	Steering Column	1	22	Seat	1
10	Front Axle	1	23	M10 Lock Nut Wrench	1
11	Rear Axle	1	24	Charger	1
12	4 x 12 Screw	12	25	Remote Control	1
13	Bull Bar	1			

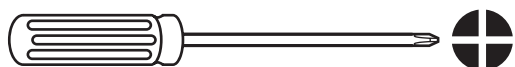
Assembly Instruction



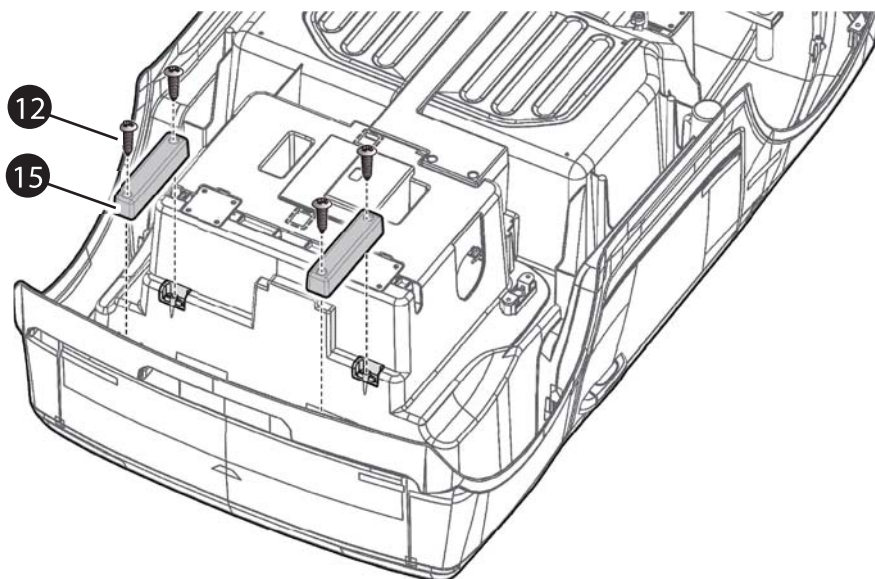
⚠ WARNING

**This product should only be assembled by an adult.
Children can be harmed by small parts, sharp edges and points or by electrical items. Care should be taken when unpacking and assembling the product.**

Tools required (not included)



1

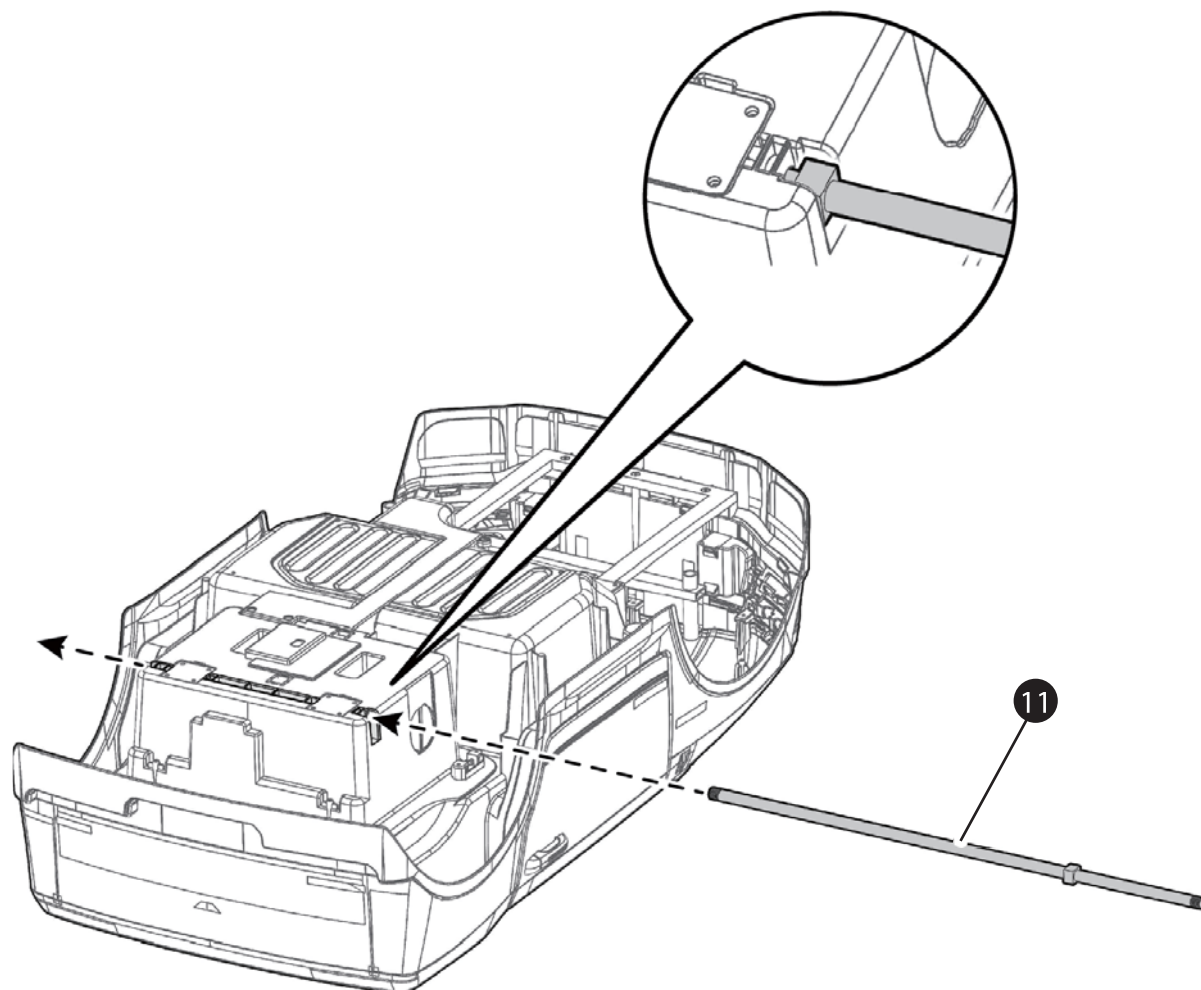


- Turn the vehicle body up side down.
- Assemble rear supports to the vehicle body.
- Secure rear supports with Four 4x12mm Screws.

Assembly Instruction



2

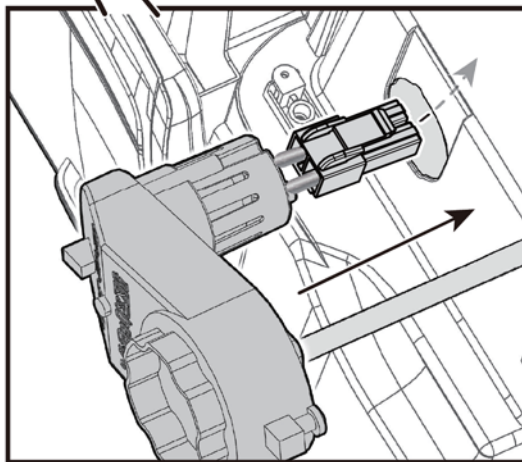
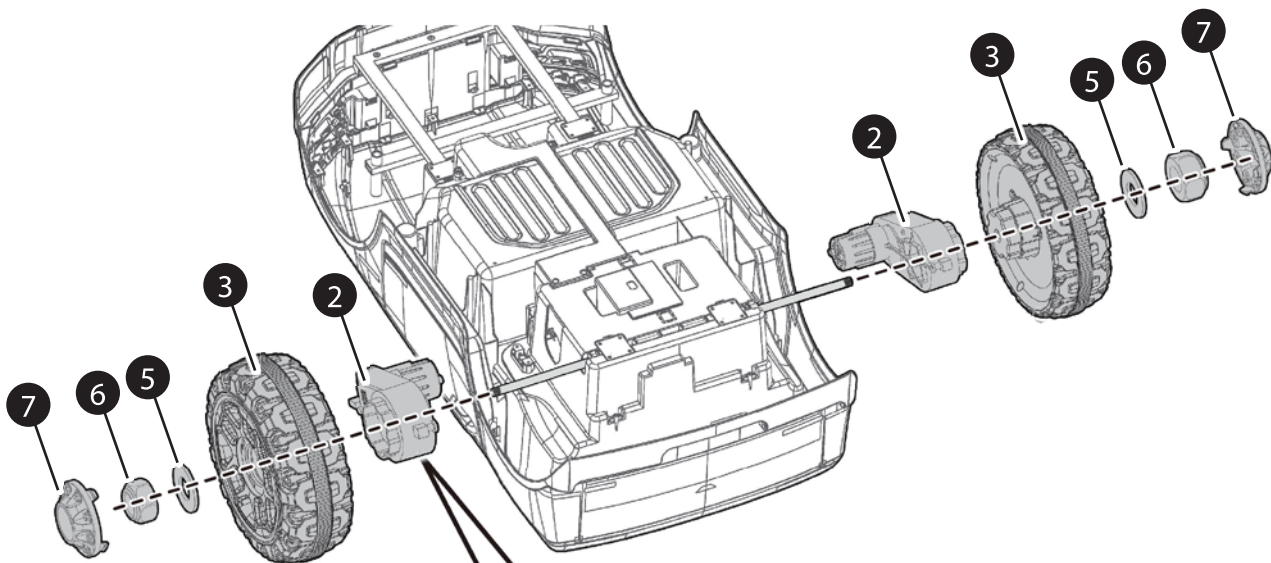
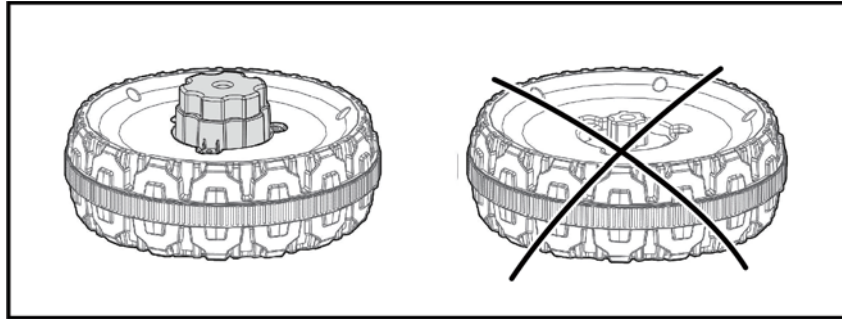


- Insert the rear axle through the vehicle body.
- Push the rear axle until the protruded block is place against the square slot on the vehicle body.



Assembly Instruction

3

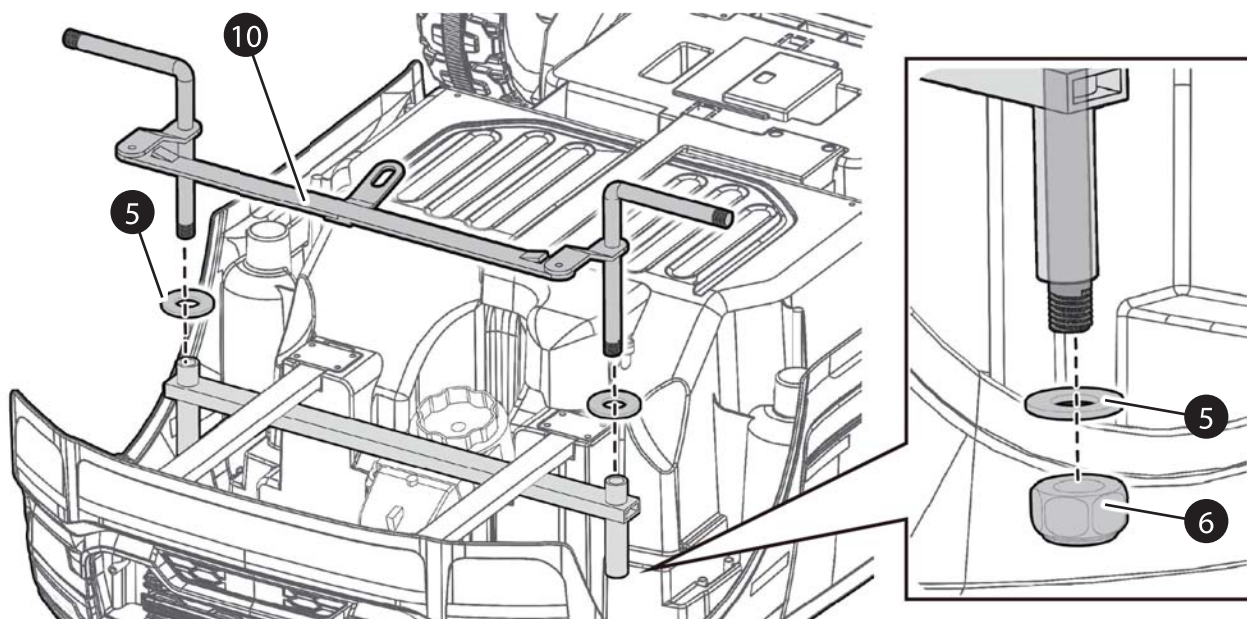


- Slide motors to the rear axle. (Motors are labeled "L" for the left motor, and "R" for the right motor)
- Pass the electric connectors into the vehicle body.
- Attach rear wheels to the rear axle and the motors, then secure in place with M10 washers and lock nuts.
- Attach hub cap to the rear wheel.

Assembly Instruction

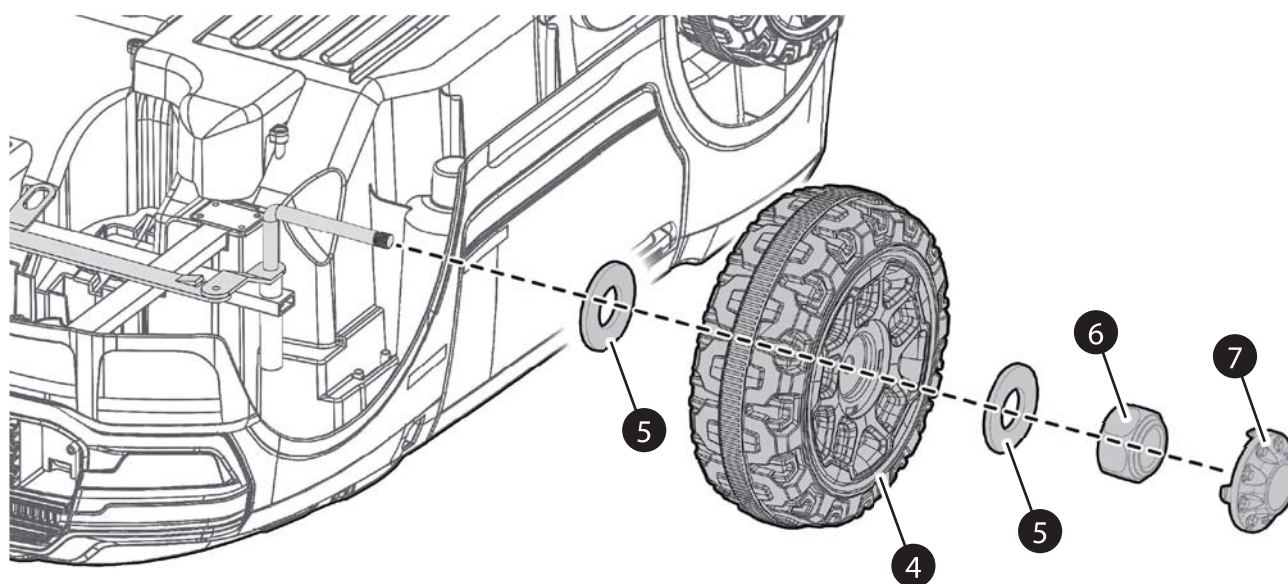


4



- Assemble the front axle and M10 washers on each sides to the vehicle body.
- Secure the front axle in place by tightening M10 washer and lock nut on each side of the axle.

5

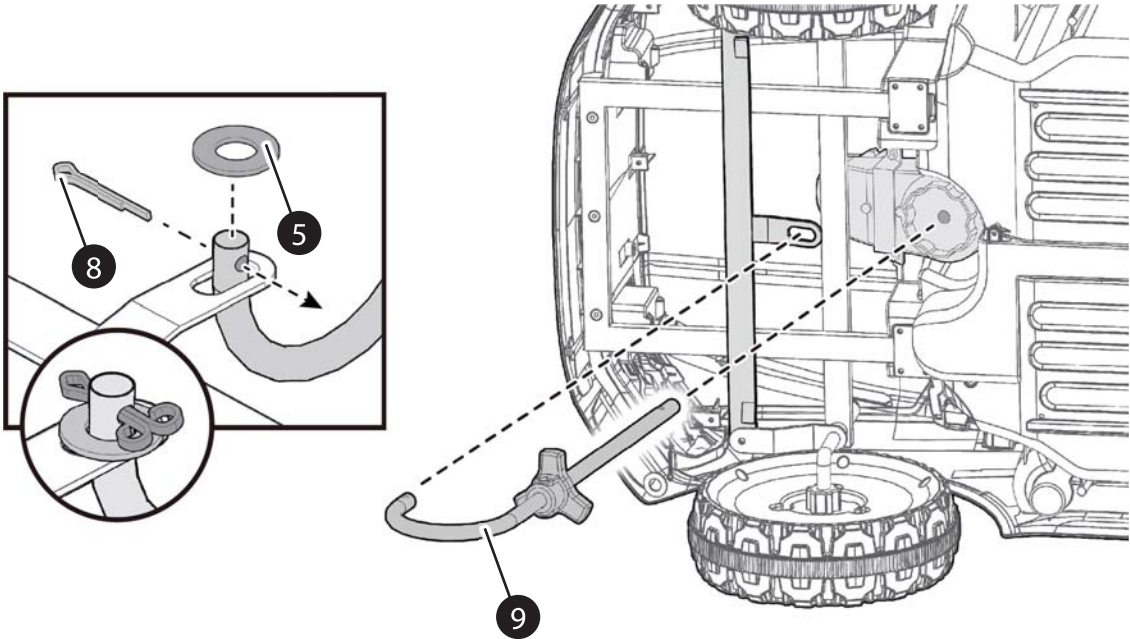


- Attach front wheels to the front axle.
- Insert Wheels (4) to front axle.
- Secure using Gasket (5) and Nut (6) by M10 Spanner(23) and put on the Wheel Cover (7).



Assembly Instruction

6



- Align and insert the steering column through the front axle and the vehicle body.
- Fit a M10 washer to the steering column and insert split pin through the hole at the end of the steering column bend. Bend the split pin with pliers to prevent the pin from sliding out.

7

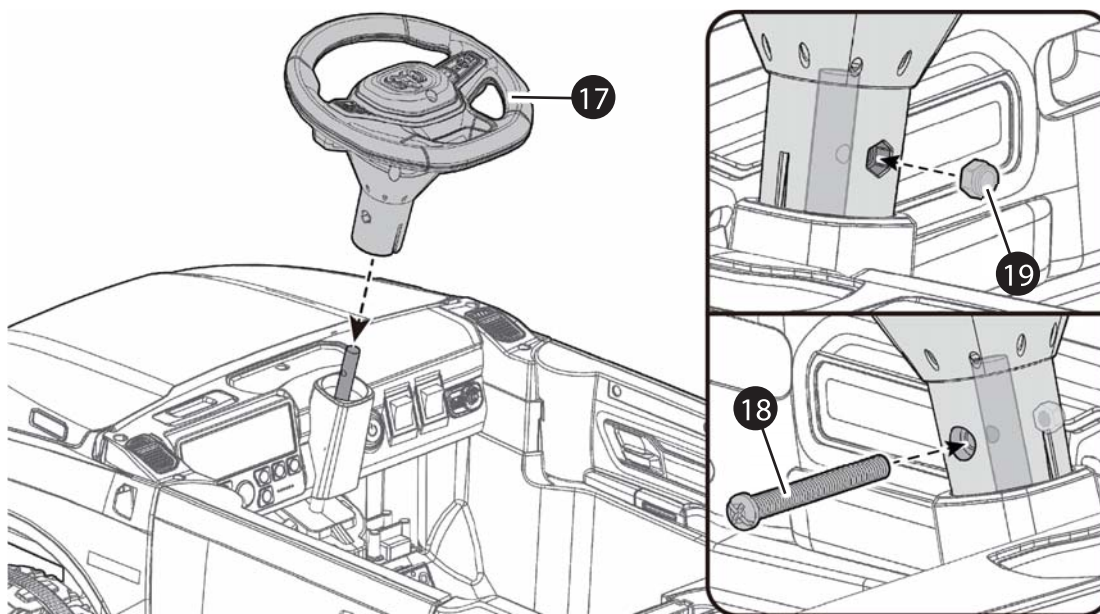


- Temporary remove the cover from the steering wheel, then insert 2 x 1.5v AA batteries in the battery compartment. (battery not included)
- Re-assemble the cover back to the steering wheel.

Assembly Instruction

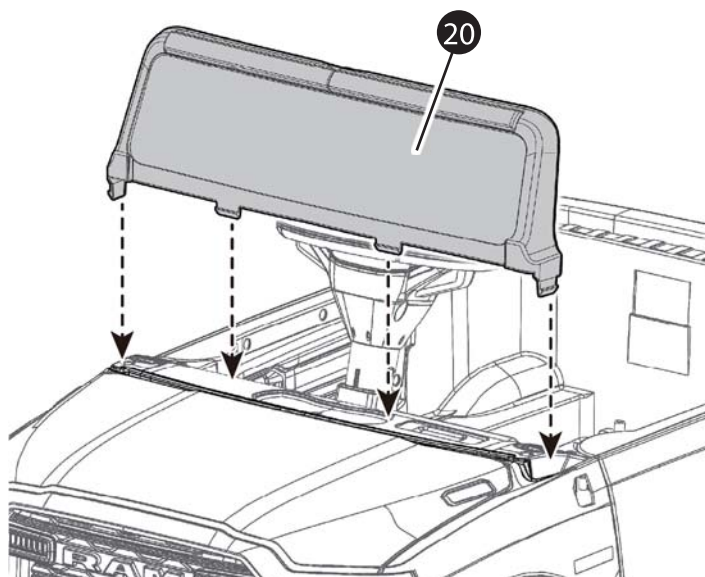


8



- Turn the vehicle body back to its upright position.
- Assemble the steering wheel to the steering column.
- Insert a M5x30 machine screw through the steering wheel and steering column and tighten it to a M5 lock nut.

9

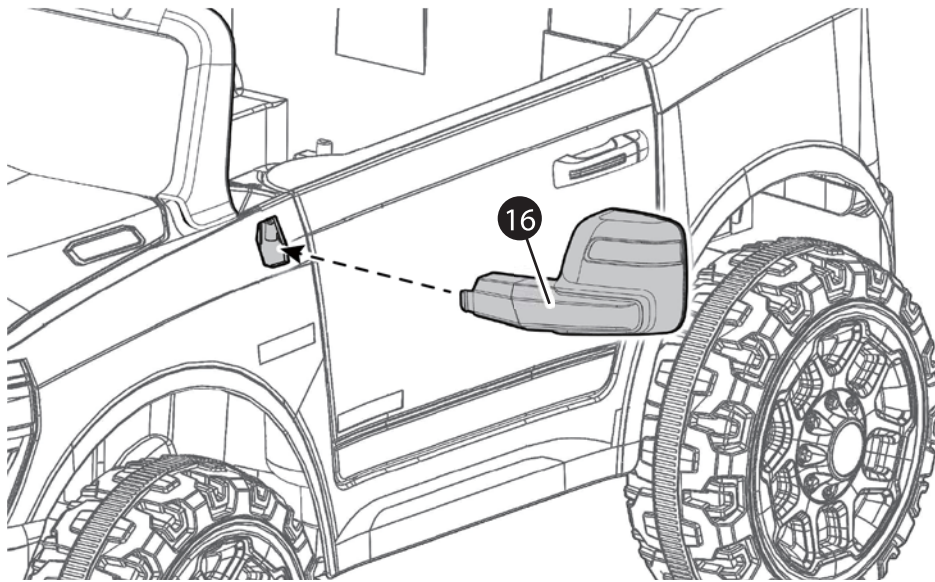


- Attach windshield to the vehicle body.



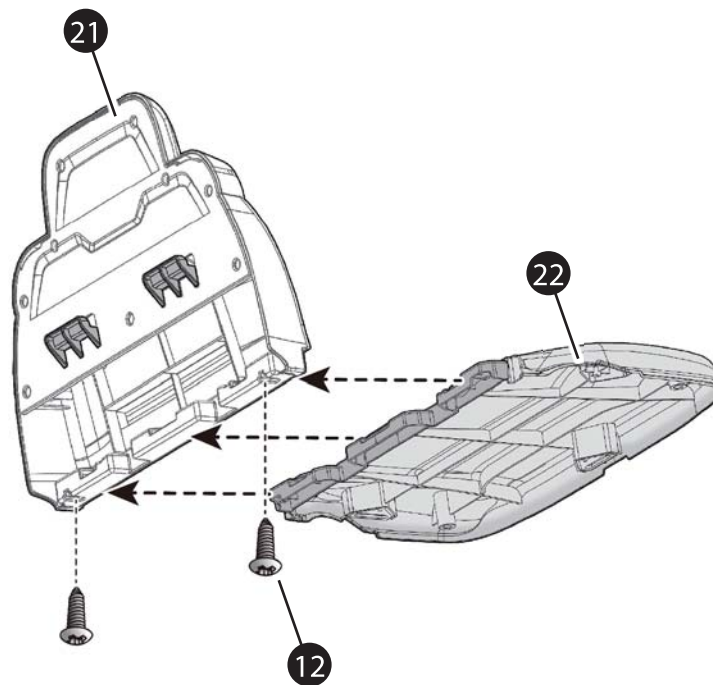
Assembly Instruction

10



- Insert rear view mirrors to the both sides of the vehicle body.

11

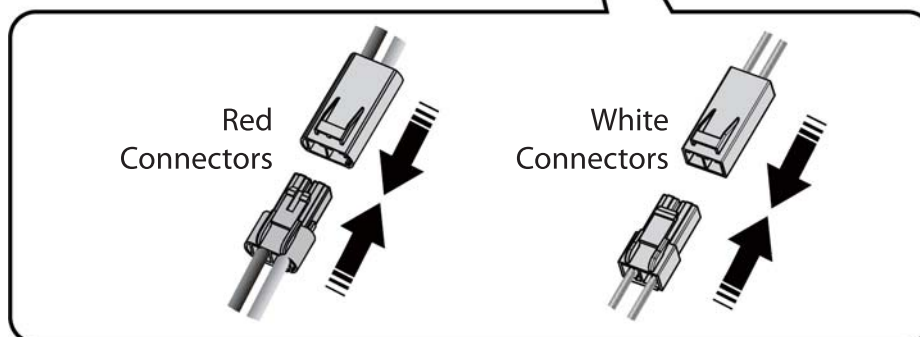
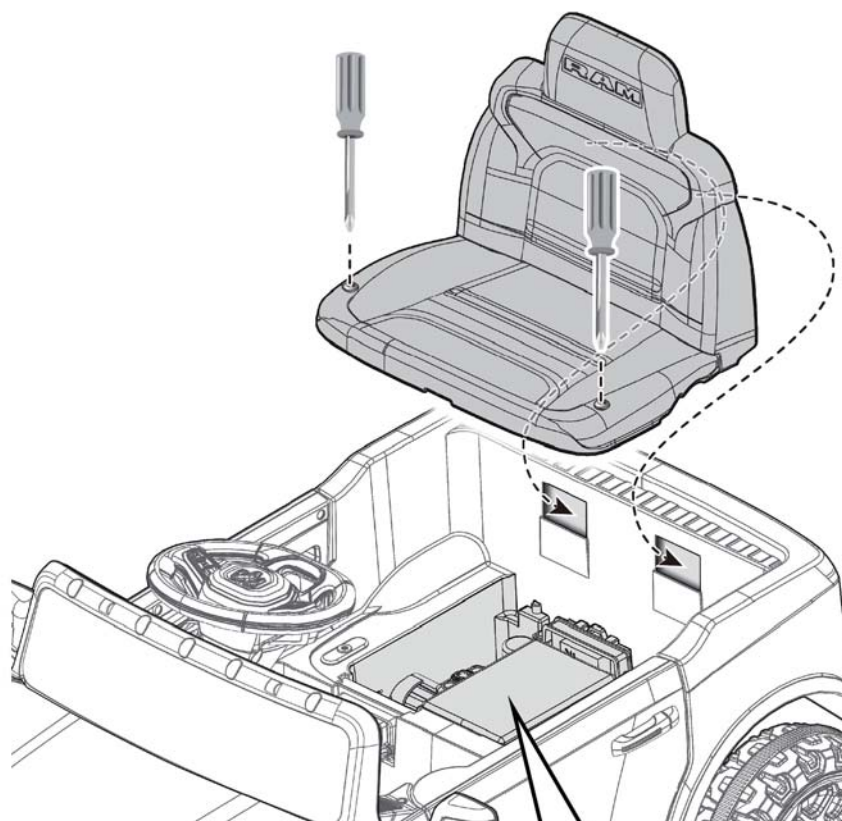


- Assemble the seat to the back rest, screw 2pcs 4x12 screws to the connection.

Assembly Instruction



12



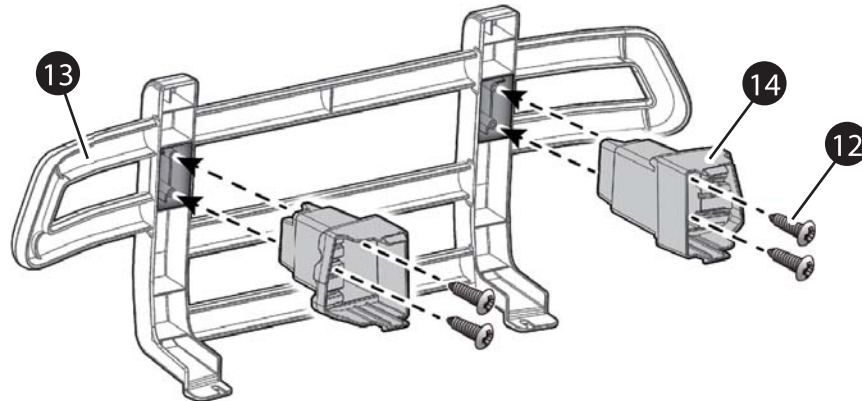
- Plug the red vehicle connector into the red connector on the battery.
- Plug the white connectors on the motors into the white connectors on the body.
- Electrical connectors are color coded and only connect the red to red and white to white.
- Fit the tabs on the seat back into the grooves on the rear of the vehicle. tighten the M5x16 screws on the top of the seat into the holes in the vehicle.



Assembly Instruction

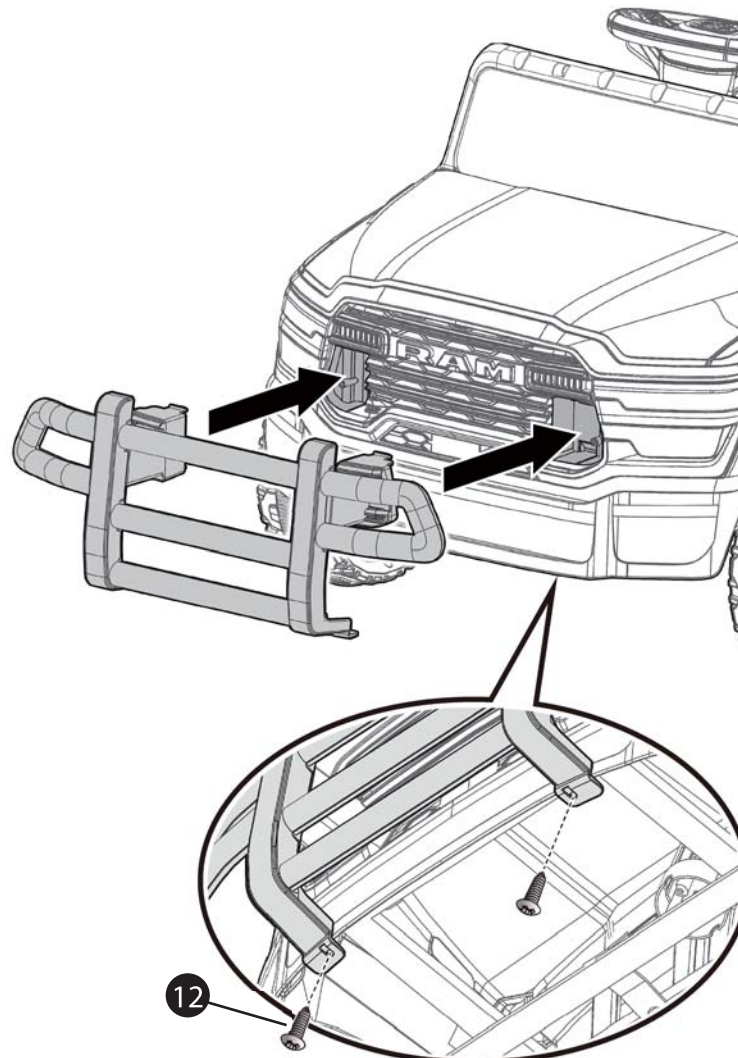
- Assemble bull bar mounts to the bull bar with four 4X12mm screws.

13



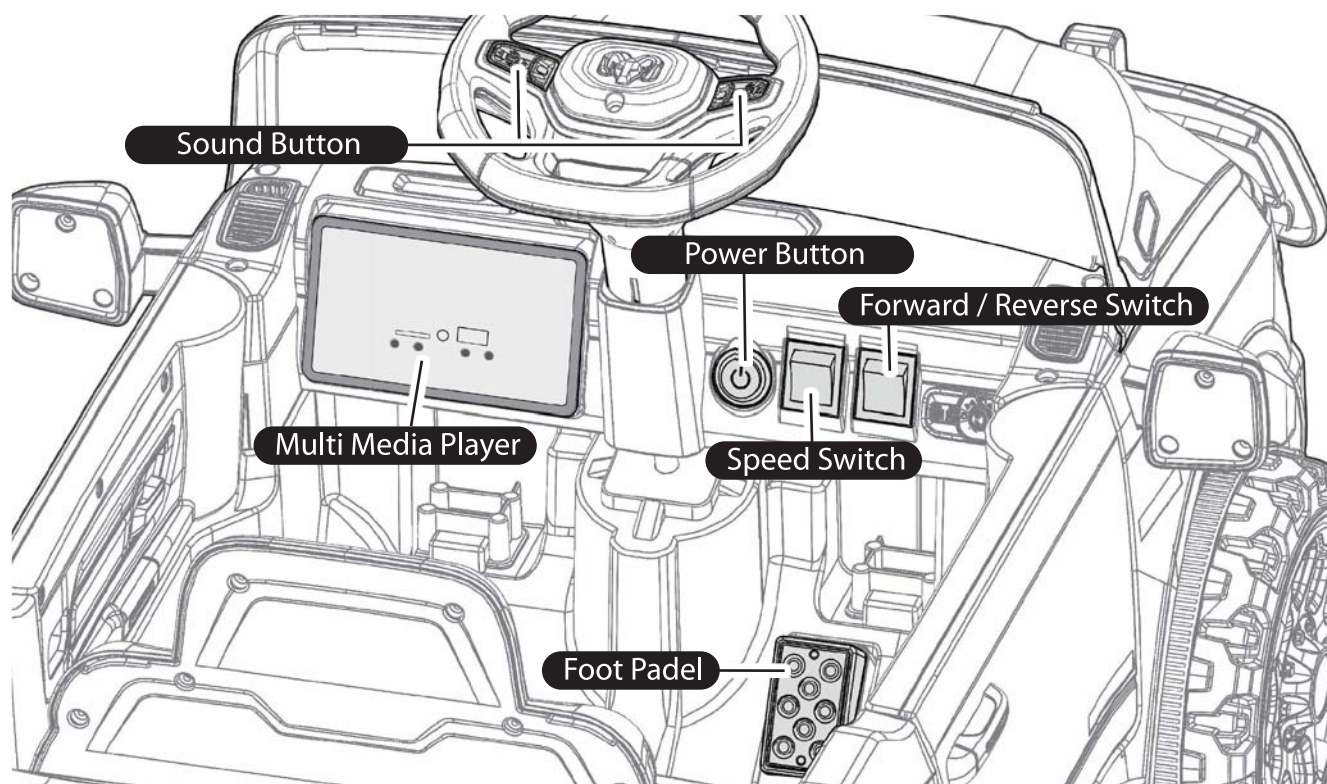
- Assemble bull bar mounts to the bull bar.

14



- Attach bull bar to the vehicle body.
- Make sure the bull bar mounts fully clicked into the vehicle body.
- Lift up the vehicle head, Secure Bull bar with two 4x12mm Screws.

User's Instruction



Control the vehicle

Power Button

Press the power button to turn ON or OFF the vehicle.

Speed Switch

Flip the speed switch to choose between high and low speed.

Control the speed of the vehicle in low or high.

NOTE: The vehicle only operate in 1 speed for reverse.

Forward / Reverse Switch

Press the switch to control the vehicle to move forward / reverse.

Foot Pedal

Press down the foot pedel to move the vehicle, release to slow and stop.

Sound Buttons

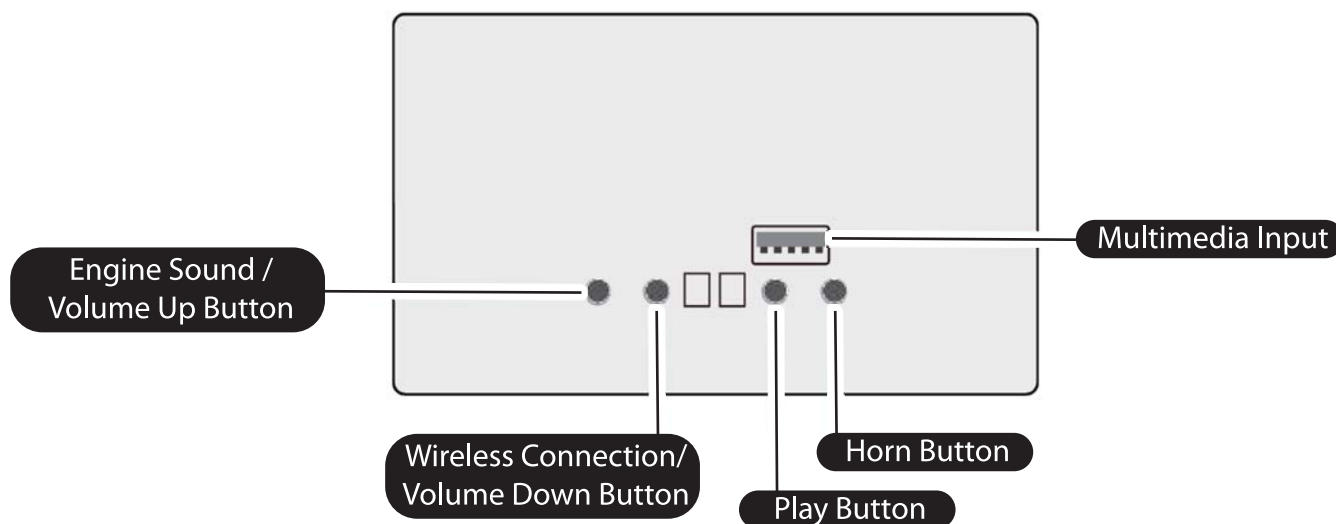
Press the sound button for pre-programed sounds.

⚠ CAUTION

**Do not change direction until the vehicle comes to a complete stop.
Sudden change in direction may result in permanent damage to the motor.**



User's Instruction



Multimedia Player

Multimedia Input

Insert your USB drive in the port to access your own mp3 files.

Play Button

Press the play button to play / pause your audio files.

Horn Button

Press the horn button to make horn sound.

Wireless Connection / Volume Down Button

Press the button to connect the multimedia player to your phone wirelessly.
Press and hold the button to decrease the volume.

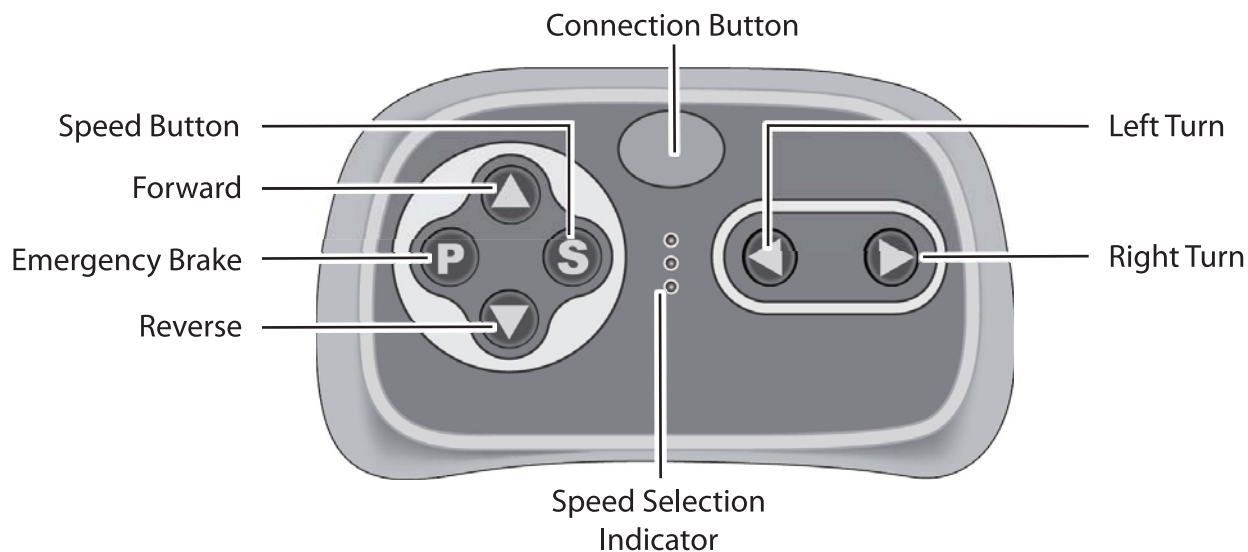
Engine Sound / Volume Up Button

Press the button to play engine sound.
Press and hold the button to increase the volume.

Voltage Display Screen

The battery level will be displayed on the screen.
The battery need to be recharged when it shows red.

User's Instruction



Using the remote control

The remote control should only be used by an adult.

Changing the remote control battery

The remote control requires 2 AAA 1.5v batteries. (not included)

- Remove the cover on the back side of the remote control.
- Replace old batteries with 2 new AAA 1.5v batteries in correct polarity.
- Put the cover back in place.

WARNING

The battery should only be changed by an adult.

Do not mix old and new batteries.

Do not mix alkaline, carbon-zinc, or rechargeable batteries.

Pairing the remote control

The remote control needs pairing for the first time usage or after replacing the battery.

- Press the connection button for 3 seconds, the indicator will flashes.
 - Turn on the power of the vehicle, the indicator should change to solid light after successful pairing.
- If failed to pair, remove and replace the battery from the remote control and repeat the pairing steps.

Control the Vehicle

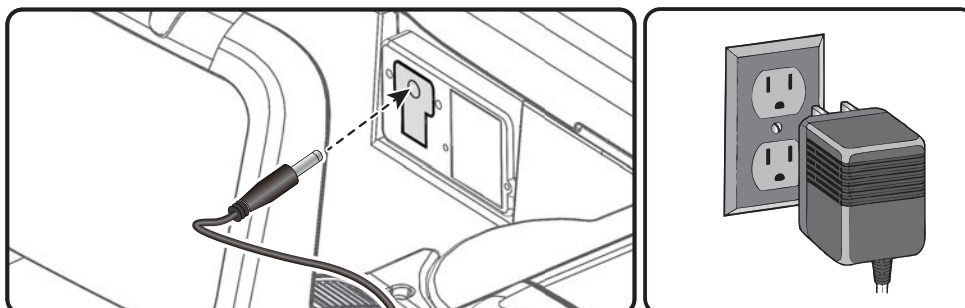
- Press the directional buttons to move the vehicle.
- Press the "P" button to enable emergency brake. All running function will be disabled once the button is pressed. Press the "P" button again to enable functions.
- Press the "S" button to switch between high, middle low speed.

NOTE:

The remote control will goes into power saving mode if not used after 10 seconds.
Remote control input will always be prioritized over foot pedal input.



User Instruction (Charging)



WARNING

The battery should only be charged by an adult.

Charging the battery

1. Connect the charger to the charging port located under the seat.
 2. Plug the charger into a wall outlet. The battery will start charging.
- The vehicle must be OFF when charging.
 - Recharge the battery if the vehicle operates slowly.
 - The charging protection will cut off all functions of the vehicle when charging.

NOTE:

- Damage to the battery may occur if it is completely drained.
- Charge the battery for about 8 - 12 hours.
- Do not charge the battery for more than 20 hours.
- Charge the battery at least once every 3 months even if not operating the vehicle for a long time to maximize the battery life.
- Do not charge or store the battery upside down.
- Keep the charger and battery away from flames, sparks, or any flammables.
- Do not charge the battery outdoor.

Care and Maintenance



- Check the product regularly and make sure there is no missing or loose parts. Re-tighten any loose parts if necessary.
- Make sure there is no cracked or broken plastic parts.
- Store the product away from heat source when not using, cover it with a tarp and away from wet weather.
- Turn off the product and disconnect the battery if the product is not use for a long period of time.
- Clean the vehicle with a cloth. Use a non-wax furniture polish to restore shine to plastic parts. Do not use abrasive cleaner.
- Do not wash the product with a hose or immerse any parts in water or other liquid.
- Regularly charge the battery to prolong the battery life.
- Do not store the product near heat source, such as stoves and heaters. Plastic parts may melt under high temperature.

Fuse

The battery features a thermal fuse with a reset fuse that will automatically trip and cut off all power to the vehicle if the motor, electric system or battery is overloaded. The fuse will reset and power will be restored after the product is turned OFF for 20 seconds and then turned ON again. If the thermal fuse trips repeatedly during normal use, the vehicle may need repairing.

To avoid tripping the fuse:

- Do not overload the vehicle.
- Do not tow anything behind the vehicle.
- Do not drive on steep slopes.
- Do not drive into fixed obstacle, which may cause the wheels to spin and overheat the motor.
- Do not operate in hot weather to prevent overheating.
- Do not allow water or other liquids to come in contact with the battery or other electric components.
- Do not tamper with the electric system.

WARNING

DO NOT bypass the fuse.

Battery Disposal

- The battery will eventually lose the ability to hold a charge. Depending on the amount of use, and varying conditions, the batter should operate for 1 to 3 years.
- Unusable battery contains lead acid (electrolyte) must be desposed or recycle properly and legally. It is illegal in most area to incinerate lead acid batteries or dispose them in landfills. Take the battery to a federal or state approved lead acid battery recycler such as local automotive battery retailer.
- Do not throw the battery away with your regular household waste.



Troubleshooting

Problem	Possible Reason	Solution
Vehicle does not move	Low Battery	Fully charge the battery
	Disconnected / Badly connected battery	Reconnect the battery
	Failed battery / motor	Contact Customer Service
	Tripped thermal fuse	Turn off the vehicle and wait for at least 20 seconds to reset the fuse
Vehicle does not run very long	Low Battery	Fully charge the battery
	Old / Damaged Battery	Replace battery if necessary
Vehicle runs very slow	Low Battery	Fully charge the battery
	Old Battery	Replace battery if necessary
	Vehicle is overloaded	Make sure user's weight is under 66 lb / 30 kg
	Vehicle is being used in harsh environment	Avoid using the vehicle in harsh environment

Troubleshooting



Problem	Possible Reason	Solution
Vehicle needs a push to go forward	Poor wire connection	Check if the battery connectors are firmly connected. Contact Customer service if necessary
	"Dead spot" on motor	Contact customer service
Loud grinding sound or clicking sound from the motor or gear box	Damaged motor or gear box	Contact customer service
Battery does not charge	Disconnected / Badly connected battery	Reconnect the battery
	Disconnected / Badly connected charger	Make sure the charger is firmly plugged into the power source and connected to the charging port
	Charger not working	Contact customer service
Vehicle does not stop	Damaged equipment	Contact customer service
Charger feels warm with charging	Normal	N/A

Limited Term Warranty (One Year from Date of Purchase)

WARRANTY TERMS

KIDZONE warrants that its merchandise are free from manufacturing defects (workmanship and/or material) and will either give credit or replace defective parts for a period of up to one (1) year from the date of purchase in accordance with the conditions set forth below. If a manufacturing defect is found, KIDZONE should be notified promptly of the defect and supplied a copy of the invoice and delivery ticket. Inspection by a KIDZONE employee or representative may be necessary to verify that a manufacturing defect exists, or you may be required to submit samples to KIDZONE along with a digital image of the defects. If replacement is required in accordance with this warranty and the defective material or merchandise has been discontinued or unavailable, KIDZONE reserves the right to select and supply similar merchandise or offer full credit for the merchandise; otherwise the same material or merchandise will be supplied for replacement purposes. This warranty is made solely to the retailer and is not transferable under any circumstances. It is the retailer's responsibility to contact KIDZONE with a claim. We will not handle claims from consumers directly; all requests must go through the retailer who sold the merchandise to the consumer. We advise all retailers to retain invoices for a minimum of one (1) year for warranty purposes. This warranty supersedes and replaces all implied warranties of merchantability and use for particular purpose. No representative, employee, agent or any other person is authorized to assume for KIDZONE any additional liability or responsibility in connection with KIDZONE's merchandise except as described above. Implied warranties or merchantability and fitness of the merchandise are limited to a period of one (1) year from the date of purchase. In no event shall KIDZONE be liable for indirect, consequential or incidental damages of any kind.

ADDITIONAL CONDITIONS

THE FOLLOWING EXAMPLES ARE NOT MANUFACTURER'S DEFECTS:

- Colors may vary slightly from the photo because of photography and printing tolerances.
- Sizes stated in U.S. standard measurements may vary slightly due to product are manufactured using the metric system.
- No returns for buyer's remorse.
- No returns - other than stated above will be accepted.

ADDITIONAL CONDITIONS

WARRANT IS VOID FOR ANY OF THE FOLLOWING CONDITIONS:

1. Improper maintenance or improper use resulting in damage.
2. Any product modifications by dealer, consumer, or other parties not authorized by KIDZONE will void this warranty.
3. Floor samples sold or products designated "AS IS" at the time of purchase are not covered by the warranty
4. Warranty does not cover minor variations or differences between floor samples or printed illustrations and your product.
5. Cost of packaging and shipping to and from KIDZONE is not covered by the warranty unless expressly arranged by KIDZONE.
6. This warranty covers only articles of appliances intended for residential use only, does not cover any industrial, commercial, institutional or Rental use.
7. Dissatisfaction due to buyer's remorse.
8. Normal wear and tear.
9. Damages incurred during transportation.
10. Damages incurred during assembling or maintenance.
11. Damage incurred by accidents or abuse.

FCC Statement



Controller:
Model:TX20
FCC ID:2AJ2H-TX10
Vehicle: Children Electric Car
Model: 060-ROT-40L
FCC ID: 2BBXU-060-ROT-40L

Changes or modifications not expressly approved by the party responsible for compliance could void the user's authority to operate the equipment. This equipment has been tested and found to comply with the limits for a Class B digital device, pursuant to Part 15 of the FCC Rules. These limits are designed to provide reasonable protection against harmful interference in a residential installation. This equipment generates uses and can radiate radio frequency energy and, if not installed and used in accordance with the instructions, may cause harmful interference to radio communications. However, there is no guarantee that interference will not occur in a particular installation. If this equipment does cause harmful interference to radio or television reception, which can be determined by turning the equipment off and on, the user is encouraged to try to correct the interference by one or more of the following measures:

- Reorient or relocate the receiving antenna.
- Increase the separation between the equipment and receiver.
- Connect the equipment into an outlet on a circuit different from that to which the receiver is connected.
- Consult the dealer or an experienced radio/TV technician for help.

This device complies with part 15 of the FCC Rules. Operation is subject to the following two conditions:

- (1) This device may not cause harmful interference, and
- (2) this device must accept any interference received, including interference that may cause undesired operation.

The device has been evaluated to meet general RF exposure requirement. The device can be used in portable exposure condition without restriction.

This Product conforms to toy safety standards CPSIA and ASTM-F963.

Distributed By: Align Inc.

Address: City of Industry, CA 91748 United States

Contact: 1-800-946-6151



© All copyright of this document belongs to KIDZONE.
This document may not be printed, translated, reproduced, or distributed in whole or in part without written permission from KIDZONE.



kidzone[®]

www.kidzonetoy.com

