

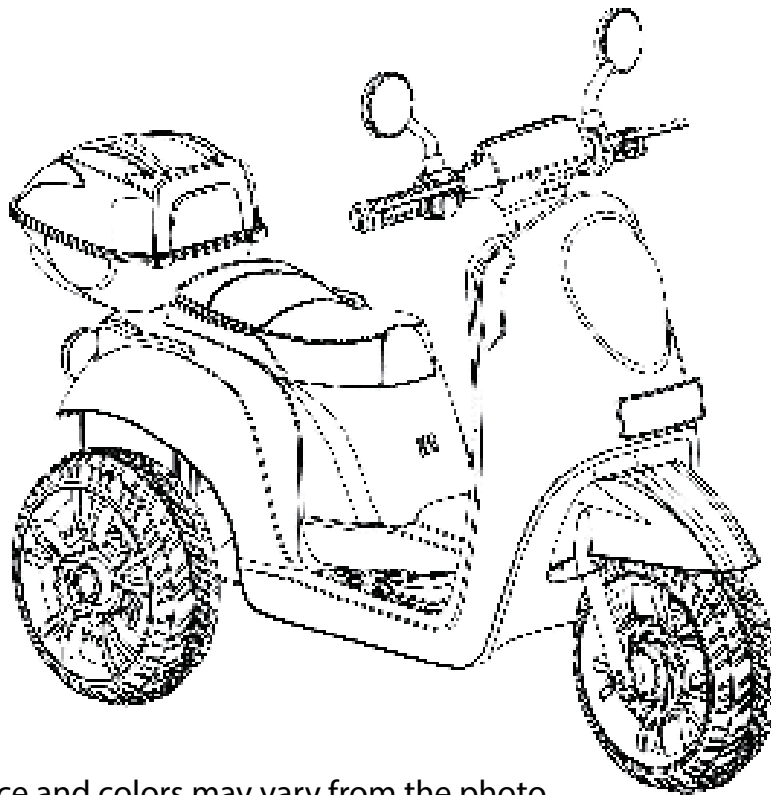
Kidzone®

WWW.kidzonetoy.com

Instruction Manual

Item name: RIDE ON RETRO SCOOTER 3 WHEELS

Item number: 060-ROT-03



* Product appearance and colors may vary from the photo.

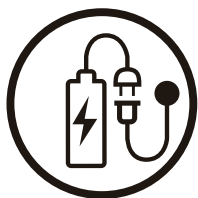


WARNING :

This product should only be assembled by an adult.



ATTENTION



This vehicle is packed with the battery disconnected. Connect the battery before use.

This manual contains important safety, performance and maintenance information. Read the manual thoroughly before allowing your child to ride your new electric ride-on toy. Failure to read the user manual can result in property damage or bodily injuries. Keep this user manual for future reference.

Safety Instruction

When using electrical product, basic safety precaution should always be followed including the following

Read all Instruction before operating this product

WARNING:

- **To Protect against electrical shock, do not immerse cord, charger, transformer, battery, or the product in water or other liquid.**
- **Only use charging devices, transformer, and battery provided or recommended by the manufacturer.**
- **For your children's safety, the product should be assembled by adult.**
- **This toy is not intended for children under 3 years old.**
- **Closely supervision is necessary when your child is operating this product.**
- **Disconnect the battery if not used for a long time.**
- **To reduce the risk of injury, adult supervision is required. Never use in roadways, near motor vehicles, on or near steep inclines or steps, swimming pools or other bodies of water; always wear shoes, and never allow more than 1 rider.**
- **RISK OF FIRE. Do not bypass fuse. Replace only with original size and type.**
- **Do not use this product as a traffic tool.**
- **Do not use this product on slippery surface.**
- **Always keep hands, hair, and clothing away from moving parts.**
- **Maximum users' weight for this product is 66 lb / 30 kg.**
- **Do not change, modify or add any electrical wiring on this product.**
- **Avoid using this product in tight environment to prevent damage to the product or injury to the user.**
- **Do not use this product in the dark. Only operate this product during daytime or well-lit area.**
- **Personal protective equipment such as helmet is needed when operating this product.**



 **WARNING: Avoid continuously hitting into obstacle to prevent overheat or damage to the motor, drive away or remove obstacle as soon as possible.**

⚠ WARNING:

PREVENT FIRE

- **Never modify the electrical system. Alterations could cause a fire resulting in serious injury and could also ruin the electrical system.**
- **Use of the wrong type of battery or charger could cause a fire or explosion resulting in serious injury.**
- **The battery must be handled by adults only. The battery is heavy and contains sulfuric acid(electrolyte). Dropping the battery could result in serious injury.**
- **Never allow children to charge the battery. Battery charging must be done by adults only.**
- **Never lift or carry the battery by the wires or connector. This can damage the battery and possibly cause a fire resulting in serious injury. Lift and carry the battery by the case only.**
- **Examine the battery, charger and their connectors for excessive wear or damage each time you charge the battery. If damage or excessive wear is detected, do not use the charger or the battery until you have replaced the worn or damaged part.**

⚠ WARNING:

Manufacturer and seller expressly disclaim any and all liability for personal injury, property damage or loss, whether direct, indirect, or incidental, resulting from the incorrect attachment, improper use, inadequate maintenance, unapproved modification, or neglect of this product.

⚠ WARNING: Stop operating this product whenever it stuck under any circumstances.

⚠ WARNING: Do not drive this vehicle into any puddle or contact with any liquids to avoid the electrical shock to product or user.

⚠ WARNING: CHOKING HAZARD - Small parts. Not for children under 3 years.

⚠ WARNING: This toy is to be assembled by an adult. Contains potentially hazardous sharp edges and sharp points, or contains small parts before assembly.

WARNING

FAILURE TO FOLLOW THE SAFETY INSTRUCTIONS LISTED BELOW MAY RESULT IN SERIOUS INJURY OR DEATH.

The owner's manual contains assembly, use and maintenance instructions.

Child Safety Warnings

- **Adults supervising children must read and understand this entire manual before allowing any child to use this product.**
- **Adults must evaluate their own children as to maturity, strength, judgment and ability to follow safety rules. Published age guidelines are not a substitute for careful evaluation of your own child.**
- **Adults must teach children about thinking ahead while riding as this may be the first time a child has ever controlled a motorized ride-on toy. While you supervise, see through the child's eyes, and verbally teach them about steering and avoiding obstacles in the approved riding area.**
- **Riding a motorized ride-on toy can be a dangerous activity, even under the best of circumstances. Good choices regarding where and when to ride, constant adult supervision of riding, and practice and careful riding by the child can all help to minimize risk. However this ride-on toy is intended to move and therefore it is possible for the rider to lose control, fall off and/or get into dangerous situations that no amount of care, instruction or expertise can eliminate.**
- **If this inherent risk is not acceptable, adults should not allow children to ride this ride-on toy.**

WARNING

Safe Riding Warnings

- **Not to be used by children under 36 months.**
- **Do not exceed the maximum weight capacity of 66 lb (30 kg).**
- **Do not allow more than one (1) rider.**

ADULTS AND SUPERVISORS, PLEASE NOTE:

- 1• **Always instruct all children of common sense rules and safe practices.**
- 2• **Be aware that flat, hard surfaces provide the safest experience for child riders.**
- 3• **Do not allow the child rider to operate the ride-on toy near streets, roads, sidewalks, walkways, or any other place where they may encounter other moving vehicles.**
- 4• **Never leave children unattended with this ride-on toy. Continuous adult supervision is required.**

WARNING

- 5• If necessary, adults and supervisors are always responsible for setting up gates and barriers to ensure a safe riding environment for the child rider.**
- 6• Be aware that this ride-on toy does not have braking capabilities. Allowing use of this ride-on toy in areas that require braking may cause rolls, crashes, serious injury, or death to the child rider.**
- 7• Teach children not to allow other children to use this ride-on toy. Communicate this message to other adults and supervisors of fellow children with which your child interacts.**
- 8• Sternly alert children that hands, legs, hair, and clothing can potentially get caught in moving parts. Ensure they never place a body part or piece of clothing near a moving part of the ride-on toy. Avoid loose clothing.**
- 9• Instruct children to always wear shoes when using the ride-on toy.**
- 10• Confirm that children do not have access to the charging equipment or come into contact with any part of the ride-on toy while it is charging.**
- 11• Firmly instruct children to use the ride-on toy in a safe manner. Unsafe behaviors include, but are not limited to:**
 - Traveling at unsafe speeds**
 - Not riding in the seated position**
 - Riding at night or in any conditions of low visibility**
 - Riding in any wet conditions including rain, snow, and ice**
 - Any kind of stunt riding: jumps, ramps, stairs, hills, sloped surfaces, or other actions involving any notable risk**
 - Any kind of off-road riding: rough terrain, dirt, mud, gravel, or any others that involve notable risk**
 - Riding near any pool or open body of water**
 - Pushing, pulling, or shoving the driver in any way while operating the ride-on toy**
 - Using the ride-on toy without the battery cover or any other safety cover fully closed**
 - Pulling or hitching the ride-on toy with other similar moving ride-on toys or products**

WARNING

Battery and Charging Warnings

The following safety hazards may result in serious injury or death to the user of the ride-on:

- Do not mix old and new batteries.
- Do not mix alkaline, standard (carbon-zinc), or rechargeable batteries.



Corrosive Material Warnings

- Battery posts, terminals and related accessories contain lead and lead compounds (acids) chemicals and are toxic and corrosive. Never open the battery.
- Contact or exposure to battery leakage (lead acid) may cause serious injury. If contact or exposure occurs with the skin or in the eyes, or if the chemical is swallowed, immediately call 911.



Flammable and Explosive Materials Warnings

- Use of a battery or charger other than the supplied rechargeable battery and charger may cause a fire or explosion. Only use the supplied rechargeable battery and charger with the ride-on toy.
- Do not charge the battery near heat or flammable materials.
- Using the rechargeable battery and charger for any other product may result in overheating, fire or explosion. Never use the rechargeable battery and charger with another product.
- Contact between the positive and negative terminals may result in fire or explosion. Avoid direct contact between the terminals. Lifting the battery by the wires or charger can cause damage to the battery and may result in a fire. Always lift the battery by its case or handles.
- Plug wall charger directly into a wall outlet. Do not use an extension cord when charging as the use of an extension cord can cause a fire.



Electric Shock / Fire Warnings

- Liquids on the battery may cause fire or electric shock. Always keep all liquids away from the battery and keep the battery dry.
- Tampering or modifying the electric circuit system may cause a shock, fire or explosion and permanently damage the system. Exposed wiring, circuitry in the charger may cause electric shock. Always keep the charger housing closed.

WARNING

- **Regularly check charger, supply cord and connector for wear and damage. Look for frayed or kinked wires, any exposed inner wires, any missing insulation. If any damage is observed do not plug in the charger and do not charge the battery.**

CAUTION

Re-Charge Interval and Time Important!

- **Damage to the battery may occur if it is allowed to drain completely. Do not allow the battery to drain completely.**
- **Check the battery and charger (supply cord, connector) for wear and damage before charging. Do not charge the battery if damage has occurred. Do not use an extension cord when charging the ride-on toy.**
- **On average you will need to charge the battery for 8-12 hours. Failure to charge the battery as directed could cause permanent damage to the battery and void the warranty.**
- **Only an adult who has read and understands the safety warnings should handle, charge and recharge the battery.**

WARNING

Assembly Warnings

- **The ride-on toy must be assembled by an adult who has read and understands the instructions in this manual.**
This ride-on toy contains small parts that are for adult assembly only. Keep small children away when assembling.
- **Remove and dispose of all protective materials, plastic bags and packaging before assembly.**

Product Specification

Battery: DC 6V 4.0 AH

Suitable Age: 3+ years / 36+ months

Maximum User Weight: 66 lb / 30 kg

Dimension: 42" x 18.3" x 28.6" (1068 x 466 x 726 mm)

Speed: 1.5 mph (2.5km/h)

Charge Time: 8 - 12 hours

Charger: 6V 500mA

Fuse: F5A self-resetting fuse

Battery Operating Life: 12 - 18 months

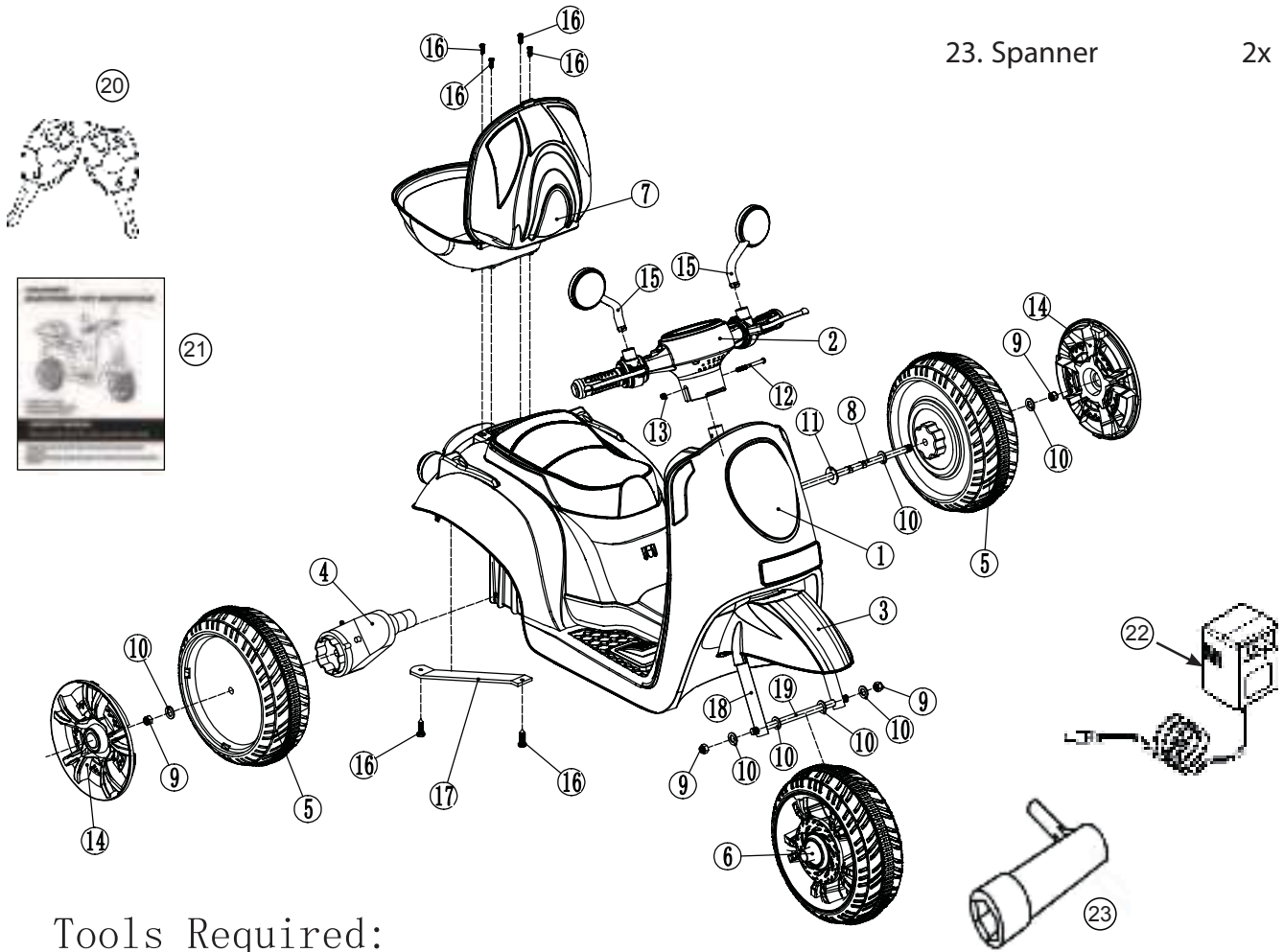
First Charging Time: 8 - 12 hours

Max Charging Time: less than 20 hours

Battery (Temperature Tolerance): 122°F

Parts and Feature

- | | | | | | |
|------------------------|----|--------------------|---|------------------------|----|
| 1. Vehicle Body | 1x | 8. Rear Axle | 1x | 15. Rear Mirror | 2x |
| 2. Handle | 1x | 9. M8 Nut | 4x
(Pre-installed in the rear axle and front axle) | 16. M3.5 x 12 Screws | 4x |
| 3. Mudguard | 1x | 10. M10 Washer | 7x
(Pre-installed in the rear axle and front axle) | 17. Metal Plate | 1x |
| 4. Gear Box with motor | 1x | 11. M10 Big Washer | 1x
(Pre-installed in the rear axle) | 18. Front fork | 1x |
| 5. Driving Wheel | 2x | 12. M5 x 65 Bolt | 1x
(Pre-installed in the handle) | 19. Front axle | 1x |
| 6. Front Wheel | 1x | 13. M5 Nut | 1x
(Pre-installed in the handle) | 20. Key | 1x |
| 7. Toolbox | 1x | 14. Wheel Hub | 2x | 21. Instruction manual | 1x |
| | | | | 22. Charger | 1x |
| | | | | 23. Spanner | 2x |



Tools Required:



(Not included)

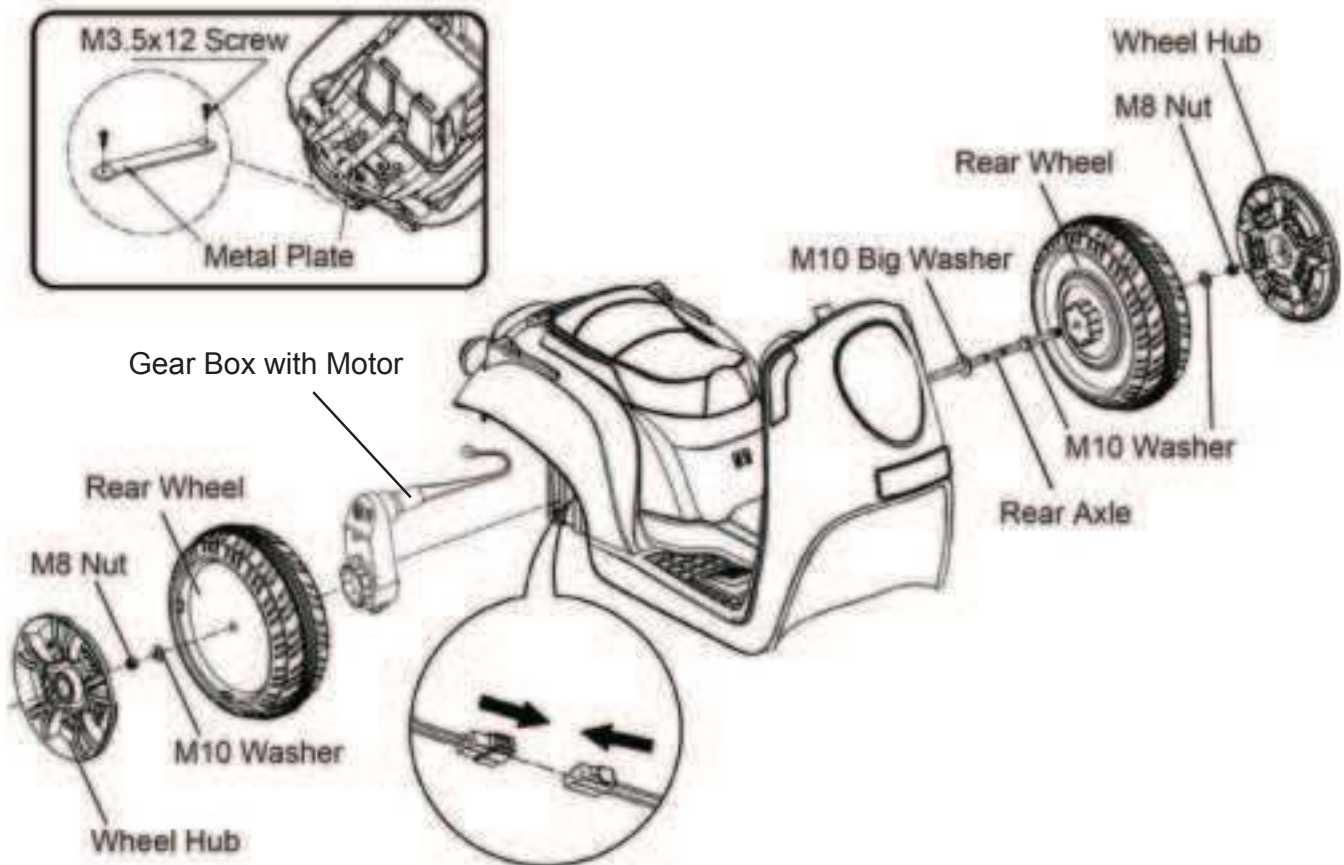
Assembly Instruction

Estimated Assemble Time: 40 mins

Tools Needed:

Screwdriver, pliers, hammer, spanner.

Some parts are small and have sharp edges. Do not let children handle parts or the assembly. This product should be assembled by adult.



The M8 Nuts and Washers pre-installed on the rear axle, dis-assemble them except the Big washer (keep the big washer), then insert the rear axle through the vehicle body.

Assemble the gear box with motor, rear wheel, M10 washer, M8 nut and the wheel hub according to the above diagram.

Assemble the M10 washer, rear wheel and another washer through the back axle on the other side, then fix them with M8 nut and wheel hub according to the above diagram.



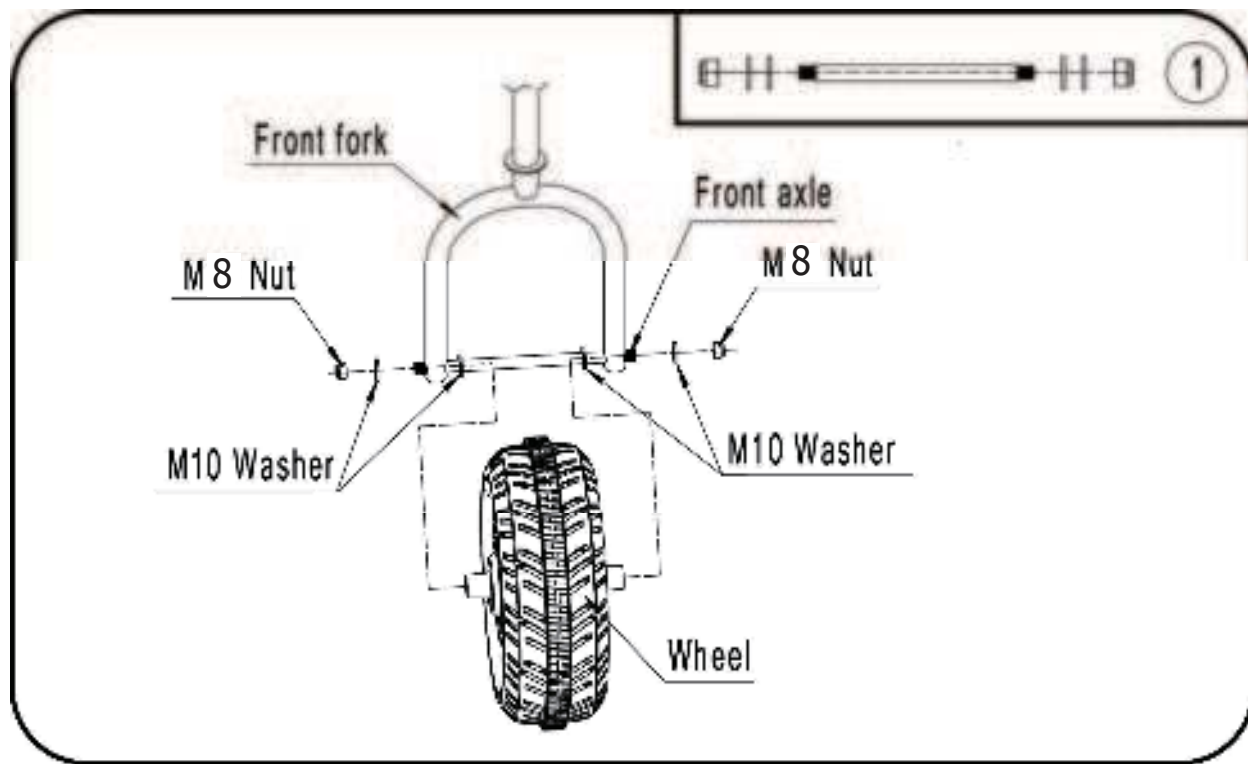
Make sure there is a gap between the rear axle screw thread and the rear wheel.

Add another 2 or 3 washers if the gap is too big. Turn the wheel with your hands and ensure the wheel can rotate smoothly. Remove any excess washer if the wheel cannot rotate smoothly.

Do not operate the product if the wheel is too tight to prevent damaging the motor.

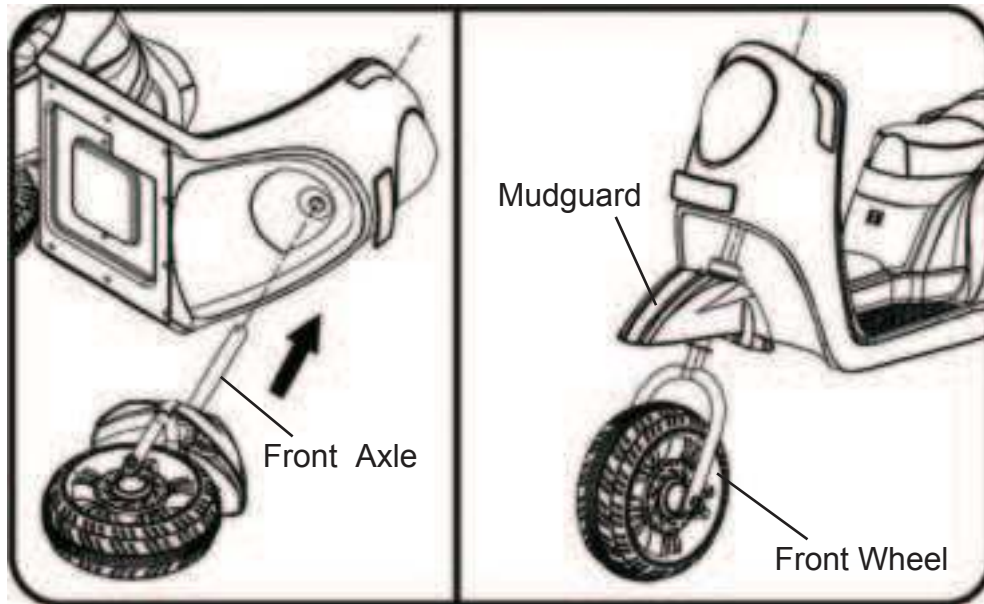
Assembly Steps

Install the front wheel

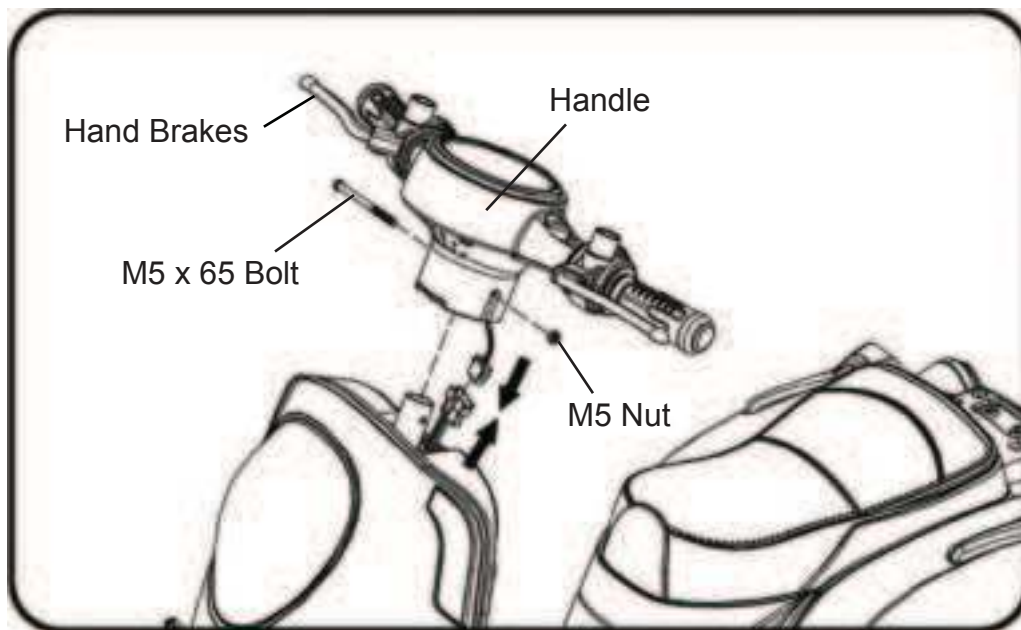


- As shown in Figure 1 ,disconnect the front axle parts.
- Put the front axle through the front fork,sequentially installed washer, wheel, washer.then through the front fork,installed the washer, and tighten the nut.
- The other side installed washer, tighten the nut.

Assembly Instruction



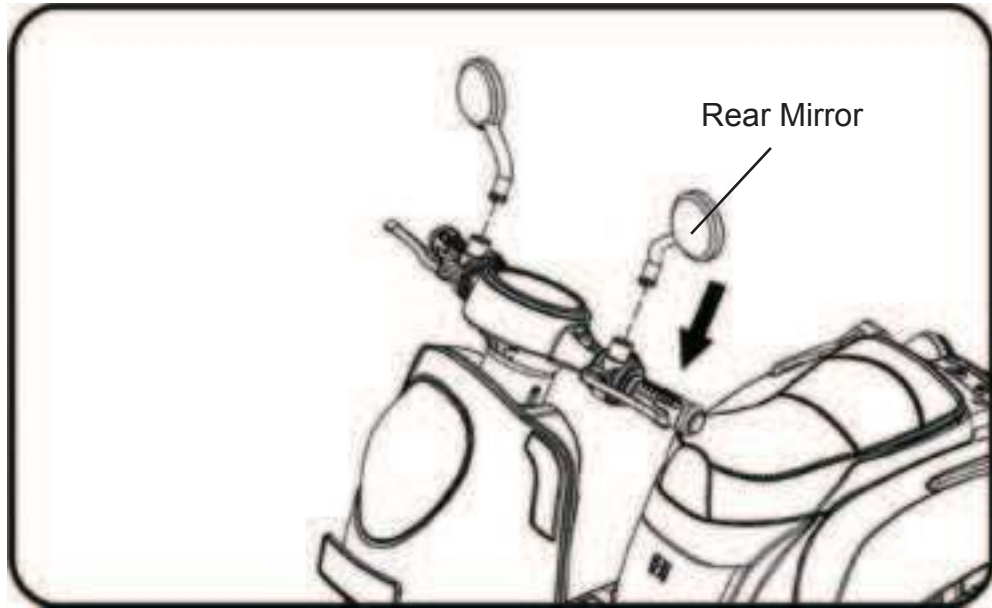
Insert the front wheel and the mudguard to the front of the vehicle.



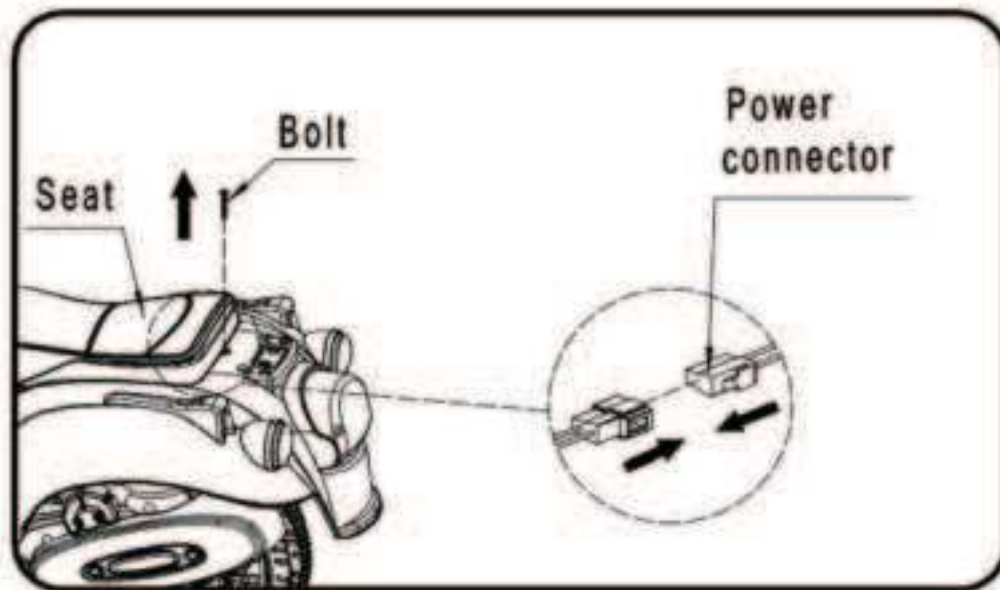
Assemble the handle on the front axle, then secure using a M5 x 65 bolt and a M5 nut.

NOTE: Hand brakes have no actual function.

Assembly Instruction



Insert the rear mirror to the handle.

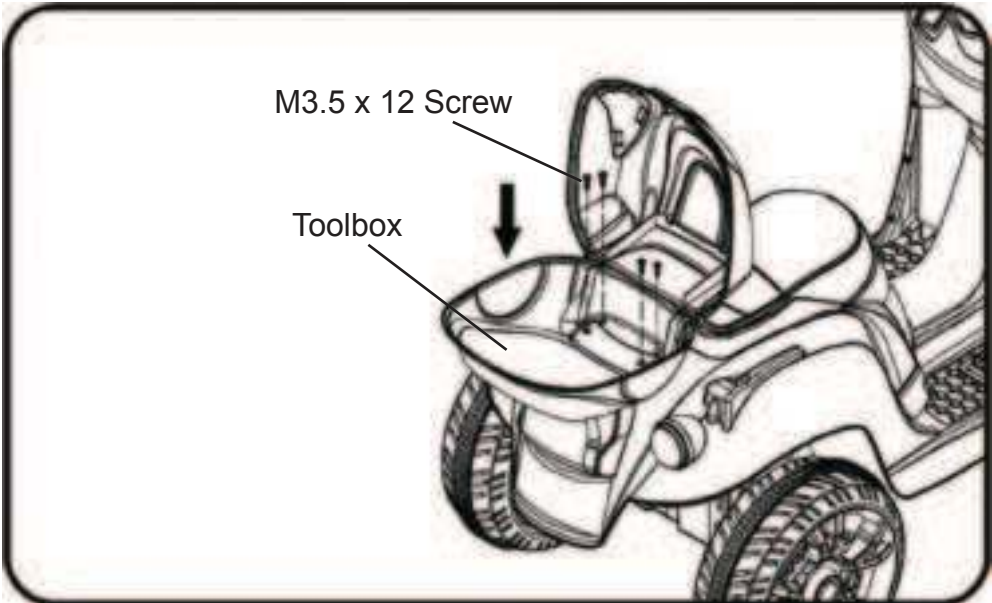


Remove the seat from the vehicle.
The wire connector plug butt.
Replace the seat and secure using the removed bolt.

Assembly Instruction



Attach the toolbox to the rear of the vehicle body.
NOTE: Make sure all M3.5 x 12 screws are securely fastened before operating the vehicle.

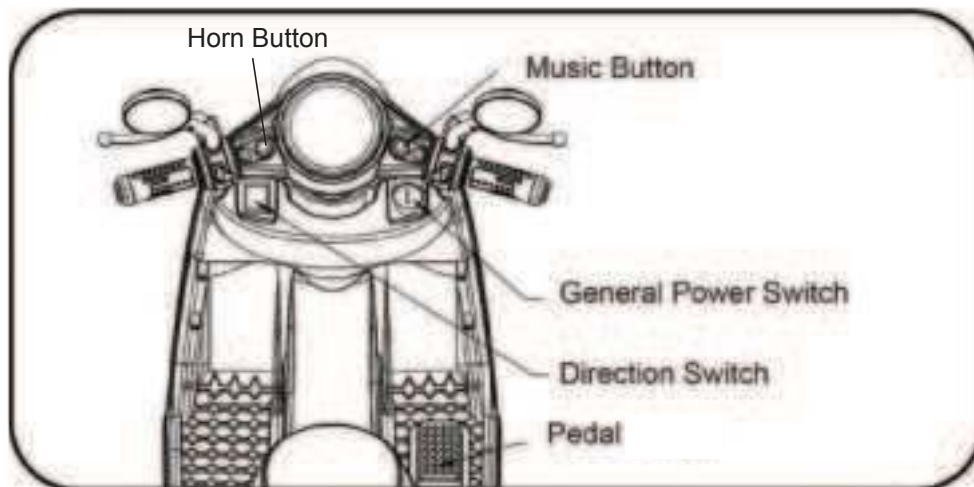


User Instruction

Using for the first time

WARNING:

- Fully charge the battery for 8 - 12 hours.
- Do not charge the battery for more than 20 hours.
- The battery should only be charged by an adult.



Operating the vehicle

- To turn on the vehicle, insert the key to the general power switch and turn right, the dashboard light also turns on.
- To play the music, press the music button.
- To activate the horn, press the horn button.

Forward

- To move the vehicle forward, press the direction switch forward and step on the pedal, head light lights on.

Backward

- To move the vehicle backward, press the direction switch backward and step on the pedal, head light lights on.

Stop

- To stop the vehicle, release the pedal.

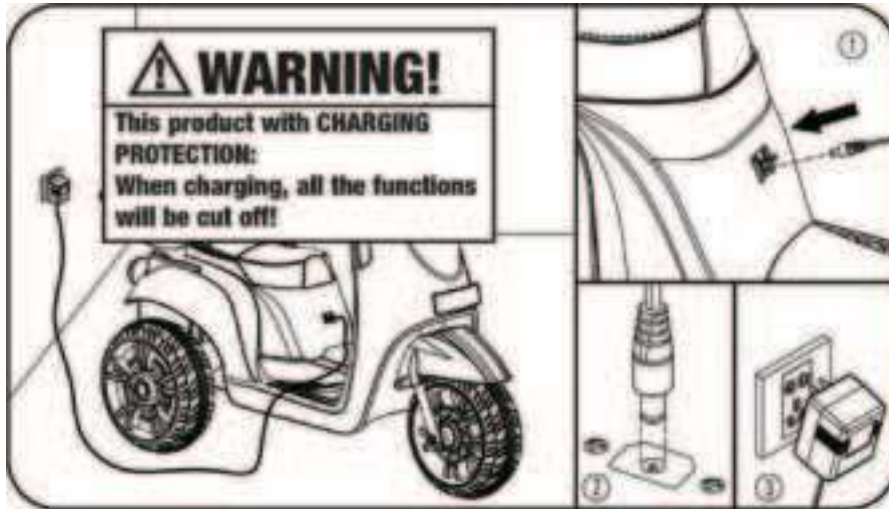
 **ATTENTION: Make sure the vehicle is in a complete stop before changing direction to prevent damaging the gear box or the motor.**

Turn off the vehicle

- To turn off the vehicle, turn the key back to the home position, the dashboard light turns off.

Note: Remove the key to prevent child operates the vehicle by himself or herself.

User Instruction



Charging the battery

- The charging port is located below the seat.

NOTE: Make sure the power switch is turned off when charging

WARNING:

- **The battery should only be charged by an adult.**
- **Only charge the battery for 8 - 12 hours, do not charge the battery for more than 20 hours to prevent overheating.**
- **Only use the battery and charger provided with the product.**
- **Do not use the battery and charger for any other product.**
- **Do not modify the electric circuit to prevent fire, explosion or permanent damage.**
- **Make sure no water or any other liquid contact the battery or its component.**
- **Never pick up the battery or the charger by pulling the wires.**
- **Battery posts, terminals and related accessories contain lead and lead compounds, chemicals known to the State of California to cause cancer and reproductive harm. Wash hands after handling.**
- **Do not open the battery. Battery contains lead acid and materials that are toxic and corrosive.**

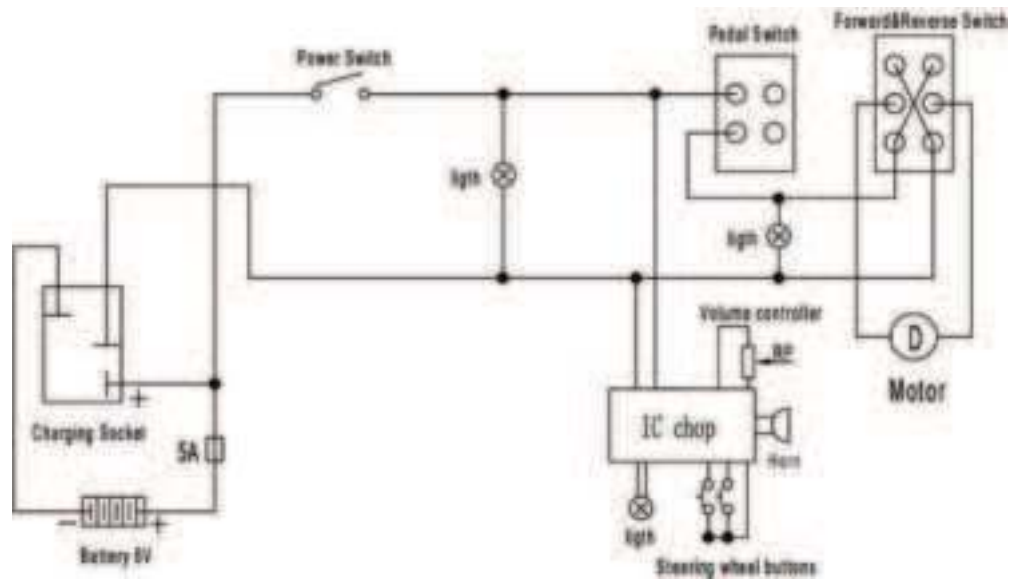
Charge the battery at least once a month even if not operating the vehicle to maximize the battery life.

Disposal of battery

- Lead acid battery must be recycled or disposed in an environment sound manner. Do not dispose a lead acid battery in household trash.
- Return an exhausted battery to your local lead battery recycling station such as local seller.

This product conforms to toy safety standards CPSIA and ASTM-F963.

Circuit Diagram



Care and Maintenance

- Check the product regularly and make sure there is no missing or loose parts. Re-tighten any loose parts if necessary.
- Make sure there is no cracked or broken plastic parts.
- Keep away the product from heat and humid area, cover it with trap when not in use.
- Disconnect the battery if the product is not in use for a long period of time.
- Clean the product with a cloth. Use a furniture non-wax polish to restore the shininess of the plastic parts. Do not use abrasive cleaner.
- Do not wash the product with a hose or immerse any parts in water or other liquid.
- Caution: Changes or modifications not expressly approved by the party responsible for compliance could void the user's authority to operate this vehicle.

Troubleshooting

Problem	Possible reason	Solution
Vehicle does not move	Low Battery	Fully charge the battery
	Fuse Protection	Power cuts off if the product is overload or operated incorrectly. Wait for 10-15 seconds to reactivate the vehicle automatically.
	Loose wheel nuts	Re-tighten all wheel nuts
	Disconnected / Badly connected battery	Reconnect the battery
	Battery/motor failure	Contact Customer Service
Battery does not charge	Battery disconnected	Reconnect the battery
	Charger is not connected to power	Plug charger to power
Battery not last long	Low Battery	Fully charge the battery
	Old Battery	Replace battery if necessary
Battery becomes warm when charging	Normal	N/A

Importer: ALIGN INC.

Importer Address: City of industry CA91748 United States

Importer Tel.: 1(800) 946-6151

Limited Term Warranty (One Year from Date of Purchase)

WARRANTY TERMS

KIDZONE warrants that its merchandise are free from manufacturing defects (workmanship and/or material) and will either give credit or replace defective parts for a period of up to one (1) year from the date of purchase in accordance with the conditions set forth below. If a manufacturing defect is found, KIDZONE should be notified promptly of the defect and supplied a copy of the invoice and delivery ticket. Inspection by a KIDZONE employee or representative may be necessary to verify that a manufacturing defect exists, or you may be required to submit samples to KIDZONE along with a digital image of the defects. If replacement is required in accordance with this warranty and the defective material or merchandise has been discontinued or unavailable, KIDZONE reserves the right to select and supply similar merchandise or offer full credit for the merchandise; otherwise the same material or merchandise will be supplied for replacement purposes. This warranty is made solely to the retailer and is not transferable under any circumstances. It is the retailer's responsibility to contact KIDZONE with a claim. We will not handle claims from consumers directly; all requests must go through the retailer who sold the merchandise to the consumer. We advise all retailers to retain invoices for a minimum of one (1) year for warranty purposes. This warranty supersedes and replaces all implied warranties of merchantability and use for particular purpose. No representative, employee, agent or any other person is authorized to assume for KIDZONE any additional liability or responsibility in connection with KIDZONE's merchandise except as described above. Implied warranties or merchantability and fitness of the merchandise are limited to a period of one (1) year from the date of purchase. In no event shall KIDZONE be liable for indirect, consequential or incidental damages of any kind.

ADDITIONAL CONDITIONS

THE FOLLOWING EXAMPLES ARE NOT MANUFACTURER'S DEFECTS:

- Colors may vary slightly from the photo because of photography and printing tolerances.
- Sizes stated in U.S. standard measurements may vary slightly due to product are manufactured using the metric system.
- No returns for buyer's remorse.
- No returns - other than stated above will be accepted.

ADDITIONAL CONDITIONS

WARRANT IS VOID FOR ANY OF THE FOLLOWING CONDITIONS:

1. Improper maintenance or improper use resulting in damage.
2. Any product modifications by dealer, consumer, or other parties not authorized by KIDZONE will void this warranty.
3. Floor samples sold or products designated "AS IS" at the time of purchase are not covered by the warranty
4. Warranty does not cover minor variations or differences between floor samples or printed illustrations and your product.
5. Cost of packaging and shipping to and from KIDZONE is not covered by the warranty unless expressly arranged by KIDZONE.
6. This warranty covers only articles of appliances intended for residential use only, does not cover any industrial, commercial, institutional or Rental use.
7. Dissatisfaction due to buyer's remorse.
8. Normal wear and tear.
9. Damages incurred during transportation.
10. Damages incurred during assembling or maintenance.
11. Damage incurred by accidents or abuse.

V5-2023-9-18