

Room thermostat (1-way NC contact) 230 V

Art. no.: RTR230

Operating instructions

1 Safety instructions



Electrical devices may only be mounted and connected by electrically skilled persons.

Serious injuries, fire or property damage possible. Please read and follow manual fully.

Danger of electric shock. Always disconnect before carrying out work on the device or load. In so doing, take all the circuit breakers into account, which support dangerous voltages to the device and or load.

This manual is an integral part of the product, and must remain with the end customer.

2 Device components

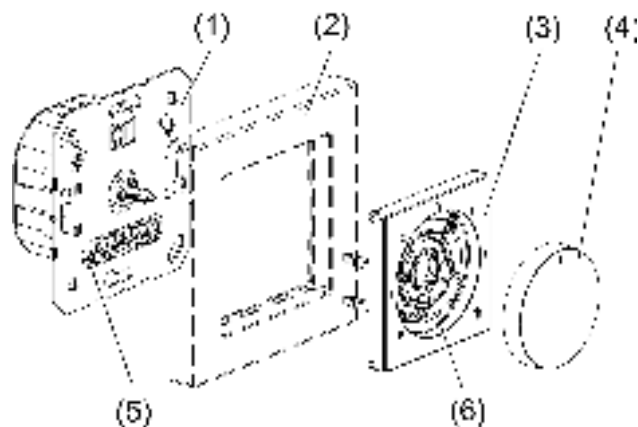


Figure 1: Device components

- (1) Room temperature controller insert
- (2) Frame
- (3) Central plate
- (4) Control knob
- (5) Internal temperature sensor
- (6) Adjustment rings temperature limit

During renovation work, the temperature sensor (5) must not become dirty or be painted over.

3 Intended use

- Electronic room temperature controller for controlling electrothermal valve drives for 230 V~
- Control of the room temperature in closed rooms
- Mounting in appliance box with dimensions according to DIN 49073

4 Product characteristics

- Manually setting a comfort temperature
- Internal temperature sensor
- Silent switching
- Controller output working method: pulse width modulation (PWM)
- Operates with valve type "deenergised closed"

- Valve protection function (once a week opening and closing of valve)

5 Operation

Increasing or reducing the room temperature

- Turn the control knob to the right or left.
In the middle position, the device regulates to approx. 20 °C setpoint temperature. The room temperature reached depends on the installation location of the device and the ambient conditions. The lowest setpoint temperature is approx. 5 °C and the highest setpoint temperature is approx. 30 °C

6 Information for electrically skilled persons

Selecting a suitable installation location

- Recommended installation height: 1.50 m on interior walls
- Do not mount the device near sources of interference, such as ovens, refrigerators, draughts (e.g. next to the door) or direct sunlight. This affects the temperature measurement of the internal temperature sensor.
- Do not mount the device within shelf walls or behind curtains and similar covers
- Do not use the device in multiple combinations with heat-generating devices such as dimmers



DANGER!

Mortal danger of electric shock.

Disconnect the device. Cover up live parts.

Connecting and fitting the device

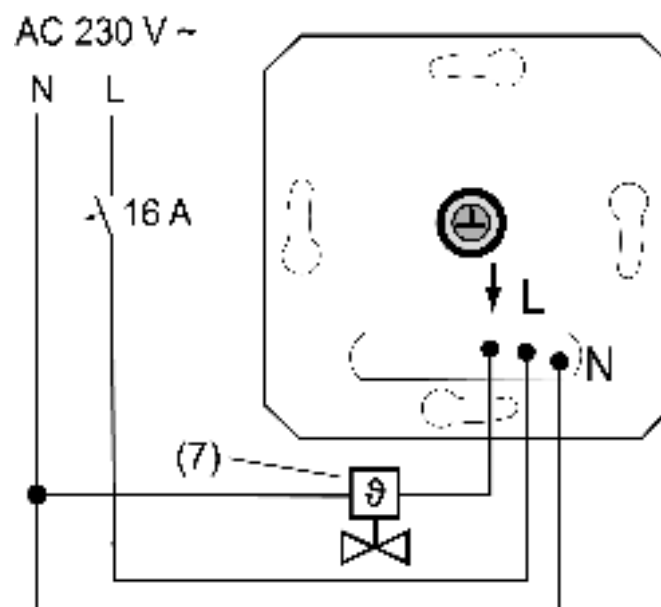


Figure 2: Connection example of the insert

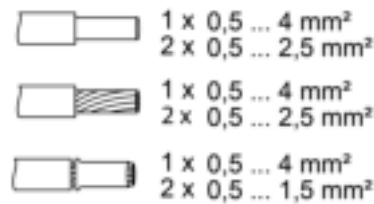


Figure 3: Clampable conductor cross-section

- Connect electrothermal valve drive (7) to insert (1) according to connection diagram (Figure 2). Observe the conductor cross-sections (Figure 3).
- Fit device in appliance box; terminals must be at the bottom.
- Fit the frame, central plate and control knob.
- Switch on mains voltage.
The unit calibrates itself within the first 90 minutes. Control deviations are possible during this period.

Setting the temperature limits

The room temperature controller has a setting range of 5 ... 30 °C. The adjustment rings on the central plate can be used to limit the temperature setting range.

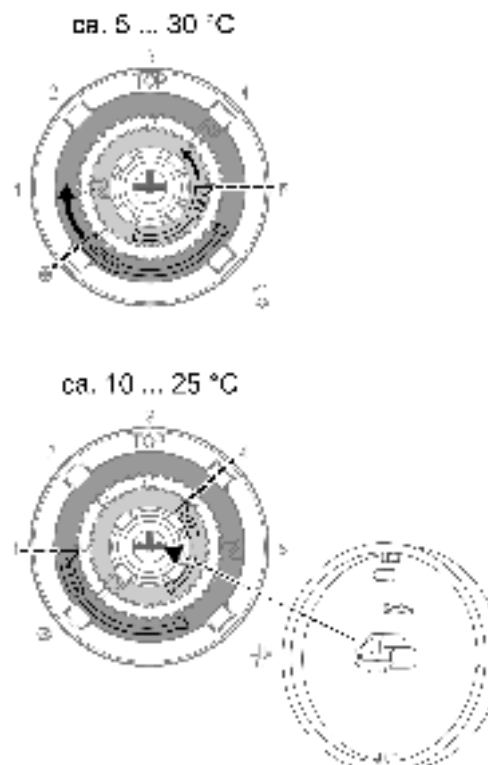


Figure 4: Setting the temperature limit (before/after)

- Pull the control knob off the central plate so that the adjustment rings are visible Bild.
- Pulling off is done by hand or with a suitable tool, e.g. vacuum lifting tool or key cap puller.
- Turn the large blue adjustment ring clockwise to the desired minimum temperature. Each notch corresponds to a change of about 1 °C.
- Turn the small red adjustment ring anticlockwise to the desired maximum temperature.
- The respective adjustment ring can only be turned in one direction. To return to the original setting, continue turning to the respective position.
- Replace the control knob, observing the coding (Fig. 4, bottom) of the control knob and rotary axle.

7 Technical data

Rated voltage	AC 230 V ~
Mains frequency	50 / 60 Hz
Standby power	max. 0.5 W
Connected load	20 W
Connection: Thermal valve drive 230 V, art. no. TSA230NCWW	
Number valve drive	1 ... 10
Ambient temperature	-5 ... +45 °C
Storage/transport temperature	-25 ... +70 °C
Controller class (EU 811/2013)	IV
Contribution to energy efficiency	2%

8 Warranty

The warranty is provided in accordance with statutory requirements via the specialist trade.

ALBRECHT JUNG GMBH & CO. KG

Volmestraße 1
58579 Schalksmühle
GERMANY

Telefon: +49 2355 806-0
Telefax: +49 2355 806-204
kundencenter@jung.de
www.jung.de