



# USE AND CARE GUIDE

## 120-VOLT INFLATOR

Questions, problems, missing parts?

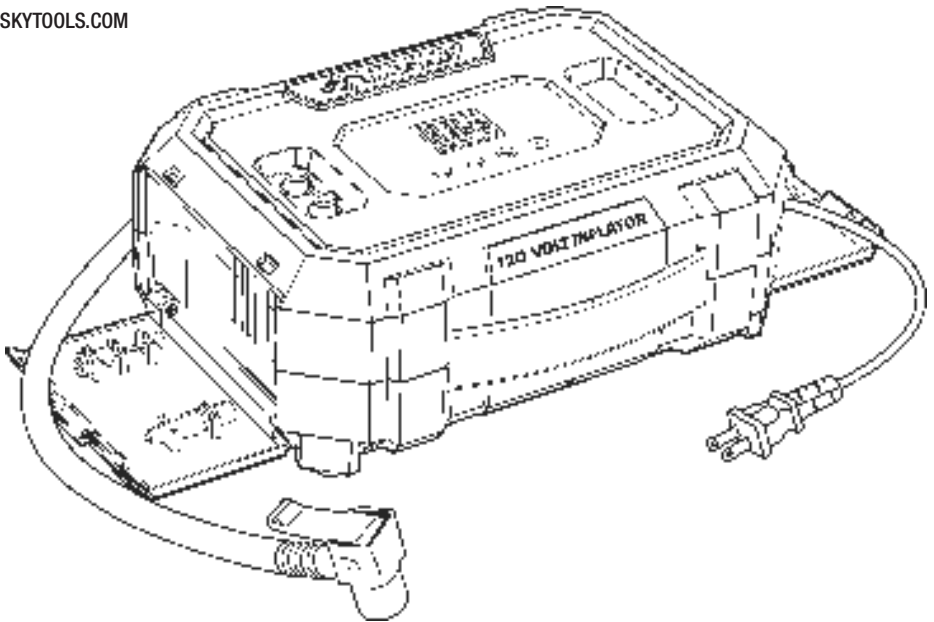
Before returning to the store, call  
Husky Customer Service

8 a.m. - 7 p.m., EST, Monday - Friday

9 a.m. - 6 p.m., EST, Saturday

1-888-HD-HUSKY

HUSKYTOOLS.COM



---

### THANK YOU

*We appreciate the trust and confidence you have placed in Husky through the purchase of this inflator. We strive to continually create quality products designed to enhance your home. Visit us online to see our full line of products available for your home improvement needs. Thank you for choosing Husky!*

# Table of Contents

Safety Information .....	2	Operation - Inflate Tires .....	5
Polarized Plug And Outlet.....	3	Operation - Inflate Toys and Air Mattresses.....	6
Extension Cord.....	3	Maintenance .....	7
Warranty.....	3	Servicing of a Double-Insulated Product .....	7
Pre-Operation .....	3	Care and Cleaning .....	7
Specifications .....	3	Troubleshooting .....	7
Package Contents .....	4	Recommended Pressure .....	7

## Safety Information

### PRECAUTIONS

1. Read all instructions carefully.
2. The safety instructions provided in this manual are not intended to cover all possible conditions that may occur during product operation. Always use common sense and pay attention to all WARNING and CAUTION statements in this manual.
3. Keep your work area clean and well lit. Cluttered benches and dark areas increase the possibility of personal injury or property damage.
4. Do not operate power tools in explosive atmospheres, such as in the presence of flammable liquids, gases, or dust.
5. Keep bystanders, children, and visitors away while operating a power tool. Distractions can cause you to lose control.
6. To protect against fire, electric shock, and injury to persons do not immerse the cord, plugs, or the product in water or other liquids.
7. Close supervision is necessary when any appliance is used by or near children.
8. Unplug from the outlet when not in use and before cleaning.
9. Do not operate any appliance with a damaged cord or plug or after the appliance malfunctions, or has been damaged in any manner. Return the appliance to the nearest authorized service facility for examination, repair, or adjustment.
10. The use of accessory attachments not recommended by the appliance manufacturer may result in fire, electric shock, or injury to persons.
11. Do not let the supply cord hang over the edge of a table or counter, or touch hot surfaces, such as the inflator head.
12. Do not use the appliance for other than intended use.
13. This appliance has a polarized plug (one blade is wider than the other). This plug will fit in a polarized outlet only one way. If the plug does not fit fully in the outlet, reverse the plug. If it still does not fit, contact a qualified electrician to install the proper outlet. Do not change the plug in any way.
14. Risk of Injury – Do not direct the air stream towards the body.
15. To reduce the risk of electric shock, do not expose to rain. Store indoors when not in use.
16. Risk of Bursting – Use only recommended included accessories.
17. This inflator is designed to inflate car tires, bike tires, ATV tires, sports equipment, air mattresses, beach toys, and other inflatables. Do not use for any purpose other than inflating. If you do so, bodily harm or personal injury can occur.
18. Allow the inflator to cool down for 15 minutes after each 5 minutes of continuous operation.
19. Disconnect the inflator from the 120-Volt power outlet to turn the power off after using the inflator.
20. The inflator is not a toy. Keep away from children at all times.
21. Do not carry the inflator by the air hose or power cord as damage may occur.
22. Do not leave the inflator unattended while in operation.
23. Do not over-inflate the item you are inflating. Follow the manufacturer's instructions for your item.

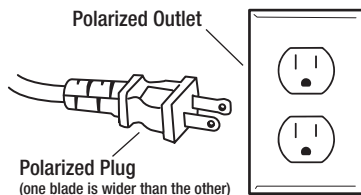
## Safety Information (continued)

24. Keep the inflator away from flammable areas/ liquids at all times.
25. Do not operate the inflator in wet or damp areas.
26. Operate the inflator only with the accessories and or attachments that are included.
27. Always wear safety glasses when operating the inflator.
28. Save these instructions for future reference.

### FOR HOUSEHOLD USE ONLY

### POLARIZED PLUG AND OUTLET

This appliance has a polarized plug (one blade is wider than the other). This plug will fit in a polarized outlet only one way. If the plug does not fit fully in the outlet, reverse the plug. If it still does not fit, contact a qualified electrician to install the proper outlet. Do not change the plug in any way.



**WARNING:** Read and understand all instructions. Failure to follow the instructions in this manual can result in electric shock, fire and/or serious personal injury.



**WARNING:** If your vehicle engine is turned on and running when you are using your inflator, you must be absolutely sure that your vehicle is outside or in an open, well-ventilated area and not inside a confined closed area such as a garage. Always allow for proper ventilation if you are running your vehicle engine. If you do not follow these instructions, bodily harm or asphyxiation resulting in death could occur.

### EXTENSION CORD

Use only a 2-wire extension cord that has a 2-blade plug and a 2-slot receptacle that will accept the plug on the product. Make sure your extension cord is in good condition. When using an extension cord, be sure to use one heavy enough to carry the current your product will draw. For lengths less than 6 ft., use No. 18 AWG extension cords. An undersized cord will cause a drop in line voltage, resulting in loss of power and overheating.

## Warranty

If this Husky product fails due to a defect in material or workmanship within 2 years from date of purchase, return to any Home Depot store for disposition.

Contact the Customer Service Team at 1-888-HD-HUSKY or visit [www.HUSKYTOOLS.com](http://www.HUSKYTOOLS.com).

## Pre-Operation



**WARNING:** Read and understand all instructions. Failure to follow the instructions in this manual can result in electric shock, fire and/or serious personal injury.



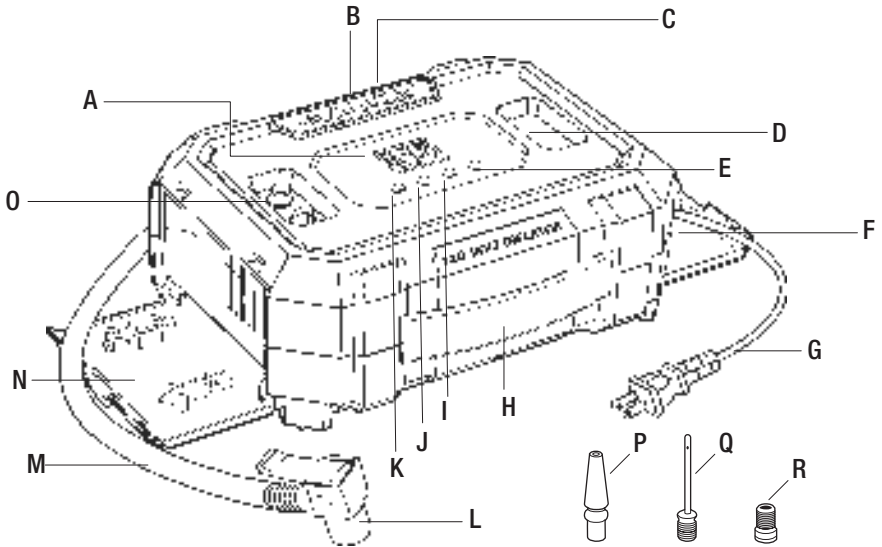
**WARNING:** Always operate the inflator with the power cord storage compartment door open. This allows for proper cooling while the inflator is in use.

### SPECIFICATIONS

Voltage	120 VAC
Power Requirement	120 VAC / 60Hz / 1.1A
Max. Pressure	130 PSI

# Pre-Installation (continued)

## PACKAGE CONTENTS



Part	Description	Quantity
A	Backlit Digital Pressure Gauge	1
B	LED Worklight	1
C	Air Hose Storage	1
D	Tire Valve Cap Tray	1
E	Target PSI Decrease Button	1
F	120-Volt Power Cord Storage	1
G	120-Volt Power Cord	1
H	Carrying Handle	1
I	Start/Stop Button	1
J	On/Off LED Worklight Button	1
K	Target PSI Increase Button	1
L	Quick Connect Valve Adapter	1
M	Air Hose	1
N	Accessories Storage	1
O	Extra Tire Valve Caps	1
P	Mattress Nozzle	1
Q	Sports Needle	1
R	Presta Valve Adapter	1

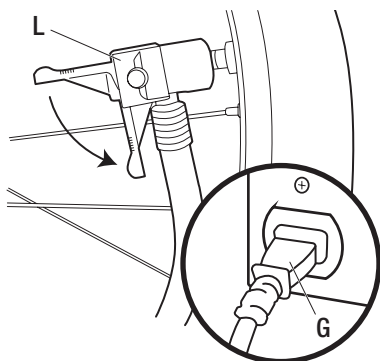
# Operation - Inflate Tires

## 1 Connecting the Inflator

- Place the inflator on a flat surface.
- Plug the power cord (G) into a polarized 120-Volt outlet. The inflator will automatically power on.
- Connect the quick connect valve adapter (L) to the tire air valve by pushing the valve lever on the valve adapter (L) down until it is securely attached to the tire air valve.



**CAUTION:** Do not over-inflate the item you are inflating. Follow the manufacturer's instructions for the item you are inflating.



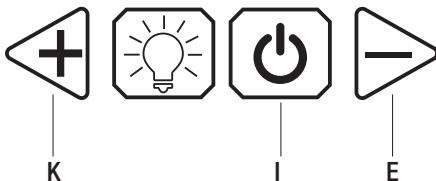
## 2 Operating the Inflator

- Press the target PSI button + or – (K or E) to set a target PSI. The digital display will flash 3 times with the set target PSI. On the 4th flash, the display will show the current air pressure for the item being inflated. This indicates that the target PSI has been set and the inflator is ready to begin inflating.
- Press the Start/Stop button (I) to start or stop inflation.



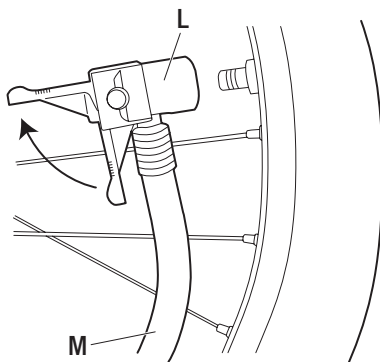
**NOTE:** The inflator will shut off automatically when the target PSI is reached.

- To power off the inflator, unplug the power cord (G) from the polarized 120-Volt outlet. Allow the inflator to cool.



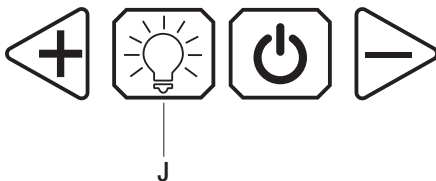
## 3 Disconnecting the Inflator

- Remove the air hose (M) from the tire by lifting up on the quick connect valve adapter (L) lever and remove the valve adapter (L).
- To power off the inflator, unplug the power cord (G) from the polarized 120-Volt outlet. Allow the inflator to cool.



## 4 Operating the LED Worklight

- Press the LED worklight button (J) to turn on or turn off.



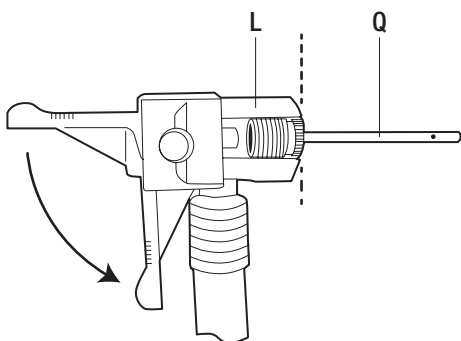
# Operation - Inflate Toys and Air Mattresses

## 1 Connecting the Inflator

- Place the inflator on a flat surface.
- Plug the power cord (G) into a polarized 120-Volt outlet. The inflator will automatically power on.
- Select the appropriate inflation accessory (P, Q, R) and insert it into the quick connect valve adapter (L). Make sure the accessory (P, Q, R) is flush with the end of the quick connect valve adapter (L) so that the airflow to the accessory is not blocked by the tire valve pin inside the quick connect valve (L).

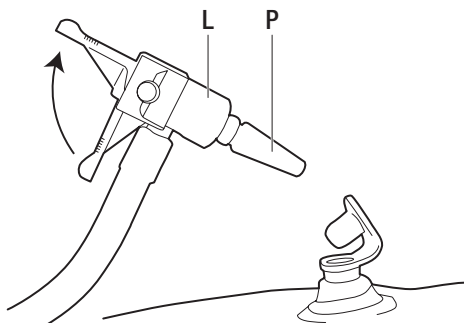


**CAUTION:** Do not over-inflate the item you are inflating. Follow the manufacturer's instructions for the item you are inflating.



## 2 Disconnecting the Inflator

- Remove the inflation accessory (P, Q, R) from the quick connect valve adapter (L).
- To power off the inflator, unplug the power cord (G) from the polarized 120-Volt outlet. Allow the inflator to cool.



## Maintenance

### SERVICING OF A DOUBLE-INSULATED PRODUCT

- In a double-insulated product, two systems of insulation are provided instead of grounding. No grounding means is provided on a double-insulated product, nor should a means for grounding be added to the product.
- Servicing of a double-insulated product requires extreme care and knowledge of the system, and should be done only by qualified service personnel.
- Replacement parts for a double-insulated product must be identical to those parts in the product.

## Care and Cleaning

- Clean the inflator with a non-abrasive slightly damp cloth as needed.
- Locate the inflator in a clean, dry, and well ventilated area. The inflator pump and housing are designed to allow for proper cooling. The ventilation openings on the inflator are necessary to maintain proper operating temperature. Do not place rags or other materials on or near these openings.
- Wipe plastic parts clean using mild soap and warm water.
- Any other servicing should be done by an authorized service representative.

## Troubleshooting

Problem	Possible Cause	Solution
The unit will not start.	The cord is not plugged in.	Plug the cord into a working 120-Volt AC power outlet.
	The circuit breaker is tripped.	Reset the circuit breaker.

## Recommended Pressure

Car Tire	25-35 PSI
SUV Tire	30-45 PSI
Bike Tire	40-110 PSI
Sports Balls	5-15 PSI



**WARNING:** These pressure ratings are recommendations only. Always read and follow manufacturers' guidelines for specified pressure settings.



Questions, problems, missing parts? Before returning to the store,  
call Husky Customer Service  
8 a.m. - 7 p.m., EST, Monday-Friday, 9 a.m. - 6 p.m., EST, Saturday

**1-888-HD-HUSKY**

**HUSKYTOOLS.COM**

Retain this manual for future use.