

SKU # 1015113959

Model # 10104



USE AND CARE GUIDE

13-INCH MULTI-FLOORING CUTTER

Questions, problems, missing parts?

Before returning to the store, call

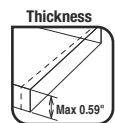
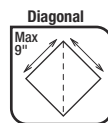
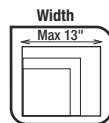
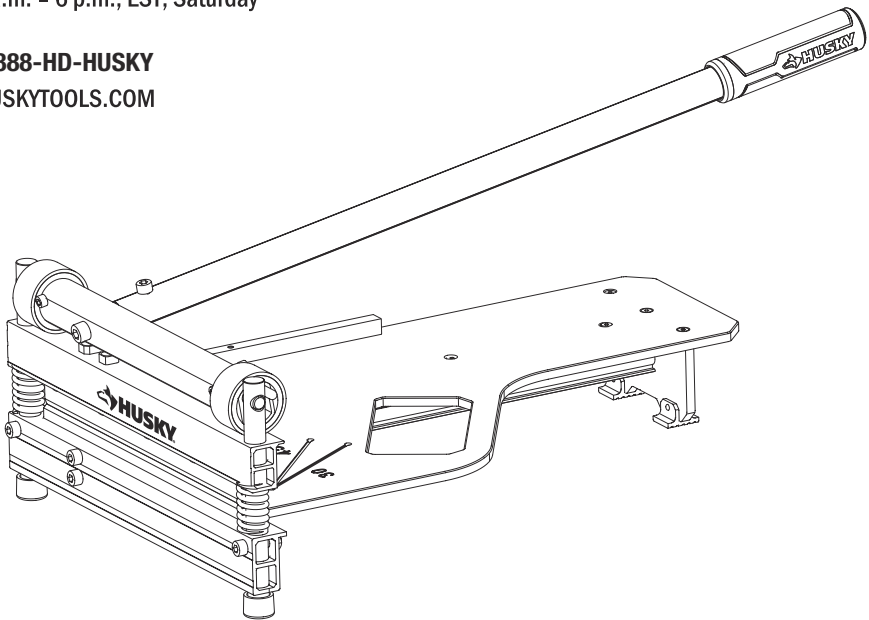
Husky Customer Service

8 a.m. - 7 p.m., EST, Monday-Friday

9 a.m. - 6 p.m., EST, Saturday

1-888-HD-HUSKY

HUSKYTOOLS.COM



THANK YOU



We appreciate the trust and confidence you have placed in Husky through the purchase of this 13-inch multi-flooring cutter. We strive to continually create quality products designed to enhance your home. Visit us online to see our full line of products available for your home improvement needs. Thank you for choosing Husky!

Table of Contents



Table of Contents	2	Operation	6
Safety Information	2	Straight cut	6
Warranty	2	Diagonal cut	7
Pre-Installation	3	Maintenance	8
Package contents	3	Troubleshooting	8
Overview	3		
Installation	4		


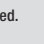
Safety Information


 **CAUTION:** Use personal safety equipment. Always wear work gloves and eye protection.  

 **CAUTION:** Keep the flooring cutter away from children. 

 **CAUTION:** Do not put your fingers against the sharp edge of the blade at any time. 


 **CAUTION:** Do not operate with bystanders around. The handle rebounds rapidly after being pressed down and released when unlocked. 

 **CAUTION:** Never leave the Flooring Cutter unattended. Lock the handle when not in use. 

 **CAUTION:** Do not operate the tool while under the influence of drugs, alcohol, or medication.

 **CAUTION:** Only operate on a firm surface or a solid stand.

 **CAUTION:** Store cutter properly in a safe and dry place to prevent rust or damage.

 **CAUTION:** This flooring cutter is designed for cutting vinyl plank, VCT, laminate, hybrid, and engineered wood. NOT suitable for bamboo, solid wood and other woods with a similar hardness rating!

 **CAUTION:** The edges of cut floors are sharp.

Warranty

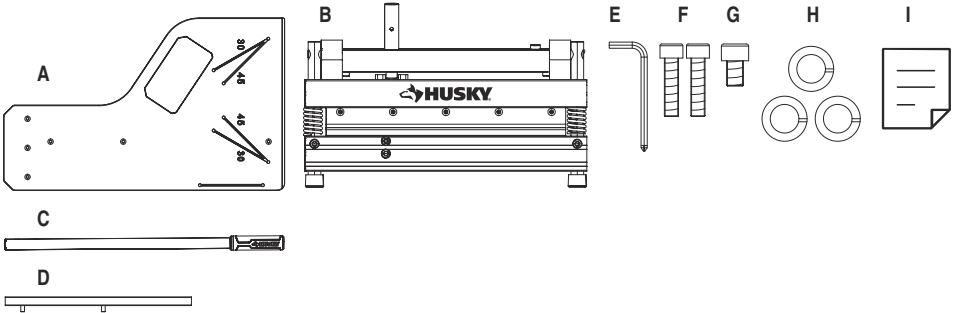
This warranty applies only to the original consumer and only to products used in normal use and service. If this product is found to be defective, the manufacturer's only obligation, and your exclusive remedy, is the repair or replacement of the product at the manufacturer's discretion, provided that the product has not been damaged through misuse, abuse, accident, modifications, alteration neglect or mishandling. This warranty shall not apply to any product that is found to have been improperly installed, set-up, or used in any way not in accordance with the instructions supplied with the product. This warranty shall not apply to a failure of the product as a result of an accident, misuse, abuse, negligence, alteration, faulty installation, or any other failure not relating to faulty material or workmanship. This warranty shall not apply to the finish on any portion of the products such as surface and/or weathering, as this is considered normal wear and tear.

The manufacturer does not warrant and specifically disclaims any warranty, whether express or implied, of fitness for a particular purpose, other than the warranty contained herein. The manufacturer specifically disclaims any liability and shall not be liable for any consequential or incidental loss or damage, including but not limited to any labor/expense costs involved in the replacement or repair of said product.

Contact the Customer Service Team at 1-888-HD-HUSKY or visit www.huskytools.com.

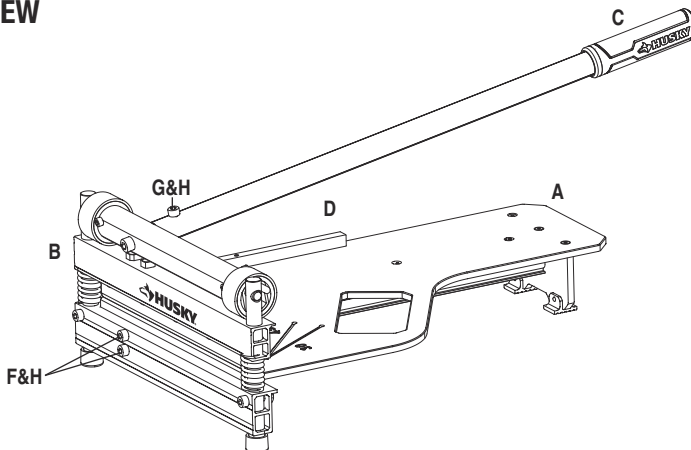
Pre-Installation

PACKAGE CONTENTS



Part	Name	Quantity
A	Work Table	1
B	Cutter Assembly	1
C	Handle	1
D	Guide Bar	1
E	M8 Hex Key	1
F	M8*45 Socket Head Screw	2
G	M8*12 Socket Head Screw	1
H	Washer	3
I	Manual	1

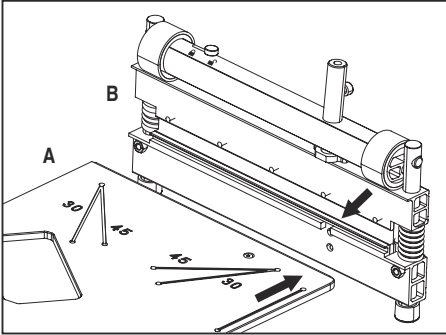
OVERVIEW



Installation

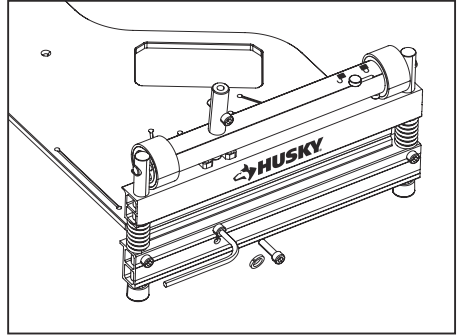
1 Align work table with cutter assembly

- Align the Work Table (A) with the Cutter Assembly (B) by inserting the tabletop into the aluminum slot.



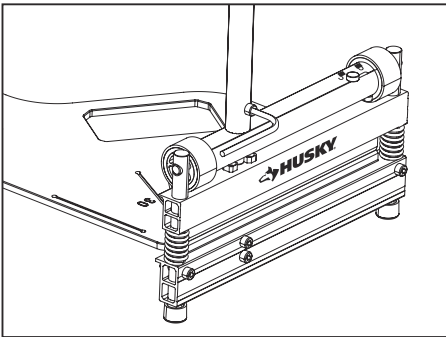
2 Install the work table

- Attach the Work Table (A) to the Cutter Assembly (B) using Hardware Set (E, F & H).



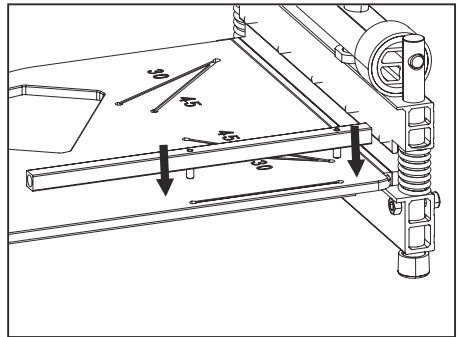
3 Install the handle

- Attach Handle (C) to the Handle Connector using Hardware Set (E, G & H).



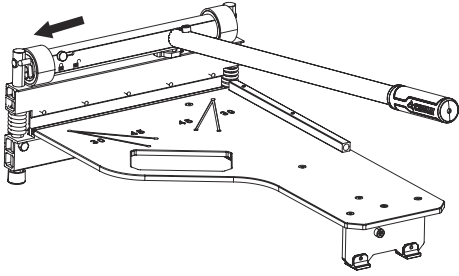
4 Install the guiding bar

- Attach the Guide Bar (D) to the Work Table (A) by inserting the two screws into the holes provided on the table.



5 Lock the cutter

- Carefully remove the straps and blade sheath (package), press down the handle, and lock the red latch.



WARNING: Do not put your fingers against the sharp edge of the blade at any time. Maintain control of the handle. Do not allow handle to slam back after making cut.

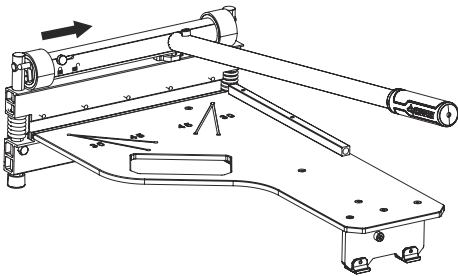
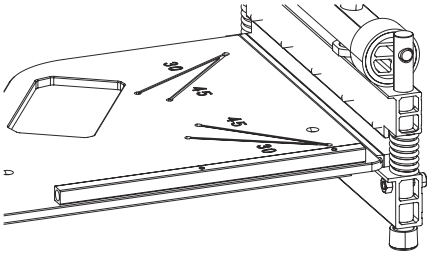


WARNING
VERY SHARP BLADE

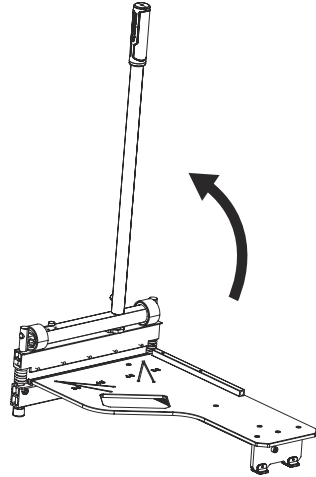
Operation

1 OPERATION-[STRAIGHT CUT]

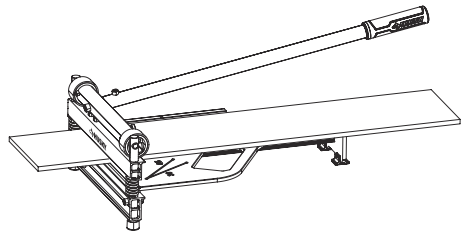
- Place the guide bar on 90 degree position
- Press the handle all the way down, then unlock the red latch



- Carefully lift the handle up

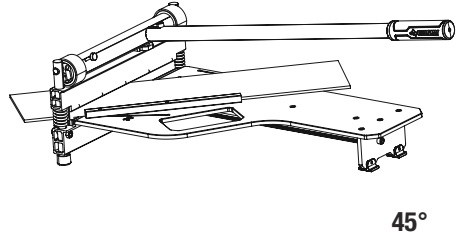
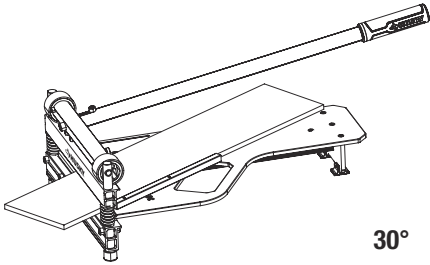


- Put flooring between the cutting blade and the base, making sure it is closely against the guide bar.
- Push the handle down to cut the flooring.



2 OPERATION-[DIAGONAL CUT]

- See 30° and 45° angle guide on the work table, and then adjust the guide bar to the desired position.
- Put flooring between the cutting blade and the base, making sure it is closely against the guide bar.
- Push the handle down to cut the flooring.



⚠ WARNING: Do not put your fingers against the sharp edge of the blade at any time. Maintain control of the handle. Do not allow handle to slam back after making cut.



⚠ WARNING
VERY SHARP BLADE

Maintenance

- To prevent surface corrosion and ensure smooth operation, put a little bit of light machine oil on the sliding parts. Lubricate it every two months, or monthly if operating in dirty or dusty environments—clean the surfaces thoroughly before oil it.

Troubleshooting

PROBLEM	POSSIBLE CAUSES	LIKELY SOLUTIONS
Cutter leaves a jagged edge	<ol style="list-style-type: none">1. Dull Blade2. Material moves when cutting it	<ol style="list-style-type: none">1. Resharpener or replacing the blade.2. Ensure the material is closely against the guide bar and fix it before cutting.
Unable to cut the material	Not a suitable material	Review safety information in manual to confirm it is a suitable material.
More force is required than usual	<ol style="list-style-type: none">1. Lack of maintenance2. Dull Blade	<ol style="list-style-type: none">1. Use honing stone to carefully touch up the blade. Follow the maintenance section of the manual to oil the flooring cutter.2. Resharpener or replacing the blade.



Questions, problems, missing parts? Before returning to the store,
call Husky Customer Service
8 a.m. – 7 p.m., EST, Monday-Friday, 9 a.m. – 6 p.m., EST, Saturday

1-888-HD-HUSKY
HUSKYTOOLS.COM

Retain this manual for future use.