



USE AND CARE GUIDE

12-VOLT INFLATOR

Questions, problems, missing parts?

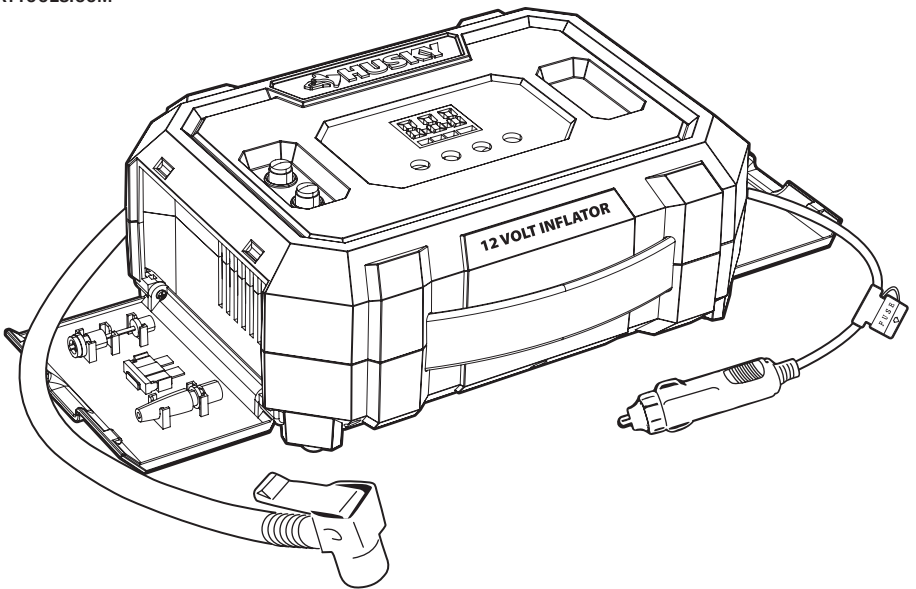
Before returning to the store, call
Husky Customer Service

8 a.m. - 7 p.m., EST, Monday - Friday

9 a.m. - 6 p.m., EST, Saturday

1-888-HD-HUSKY

HUSKYTOOLS.COM



THANK YOU

We appreciate the trust and confidence you have placed in Husky through the purchase of this inflator. We strive to continually create quality products designed to enhance your home. Visit us online to see our full line of products available for your home improvement needs. Thank you for choosing Husky!

Table of Contents

Safety Information	2	Operation - Inflate Tires	5
Precautions	2	Operation - Inflate Toys and Air Mattresses.....	6
Warranty.....	3	Replacing the Fuse	7
Pre-Operation	3	Maintenance	7
Specifications	3	Care and Cleaning	7
Package Contents	4	Troubleshooting	7
		Recommended Pressure	7

Safety Information

PRECAUTIONS

1. Save these instructions for future reference.
2. The safety instructions provided in this manual are not intended to cover all possible conditions that may occur during product operation. Always use common sense and pay attention to all WARNING and CAUTION statements in this manual.
3. Keep your work area clean and well lit. Cluttered benches and dark areas increase the possibility of personal injury or property damage.
4. Do not operate power tools in explosive atmospheres, such as in the presence of flammable liquids, gases, or dust.
5. Keep bystanders, children, and visitors away while operating a power tool. Distractions can cause you to lose control.
6. Use 12-Volt DC only. Ensure that your vehicle has a 12-Volt power outlet that is free of any ash residue or debris. A dirty 12-Volt power outlet can cause the inflator and power cord to overheat which can cause damage to your inflator/vehicle and bodily harm or injury. Disconnect the power when not in use.
7. Make sure the connection between the 12-Volt plug-in and the 12-Volt power outlet is secure. A loose connection can cause the 12-Volt power outlet to arc and/or spark which can cause damage to your inflator and the 12-Volt power outlet. If this occurs, it is also possible that the 15-Amp fuse in your inflator's 12-Volt plug-in can be damaged or blown if the connection is poor.
8. This inflator is designed to inflate vehicle tires, bicycle tires, ATV tires, sports equipment, air mattresses, beach toys, and other inflatables. Do not use for any purpose other than inflating.
9. Allow the inflator to cool down for 10 minutes after each 10 minutes of continuous operation.
10. Turn the power off after using the inflator.
11. The inflator is not a toy. Keep away from children at all times.
12. Do not carry the inflator by the air hose or power cord as damage may occur.
13. Do not leave the inflator unattended while in operation.
14. Do not over-inflate the item you are inflating. Follow the manufacturer's instructions for your item.
15. Keep the inflator away from flammable areas/liquids at all times.
16. Do not operate the inflator in wet or damp areas.
17. Operate the inflator only with the accessories and or attachments that are included.
18. If available, it is recommended that safety glasses be used when operating the inflator.
19. Risk of Bursting – Use only the recommended included accessories.

Safety Information (continued)

20. When operating your inflator it is recommended that your vehicle engine be turned on and running. This allows your vehicle battery to maintain a full charge and therefore your inflator will operate at maximum power and efficiency. It is ok to operate your inflator when your vehicle engine is turned off and not running, but if your vehicle battery is not fully charged your inflator will operate slower and also could possibly drain your battery of 12-Volt current.

FOR HOUSEHOLD USE ONLY



WARNING: Read and understand all instructions. Failure to follow the instructions in this manual can result in electric shock, fire and/or serious personal injury.



WARNING: If your vehicle engine is turned on and running when you are using your inflator, you must be absolutely sure that your vehicle is outside or in an open, well-ventilated area and not inside a confined closed area such as a garage. Always allow for proper ventilation if you are running your vehicle engine. If you do not follow these instructions, bodily harm or asphyxiation resulting in death could occur.

Warranty

If this Husky product fails due to a defect in material or workmanship within 2 years from date of purchase, return to any Home Depot store for disposition.

Contact the Customer Service Team at 1-888-HD-HUSKY or visit www.HUSKYTOOLS.com.

Pre-Operation



WARNING: Read and understand all instructions. Failure to follow the instructions in this manual can result in electric shock, fire and/or serious personal injury.



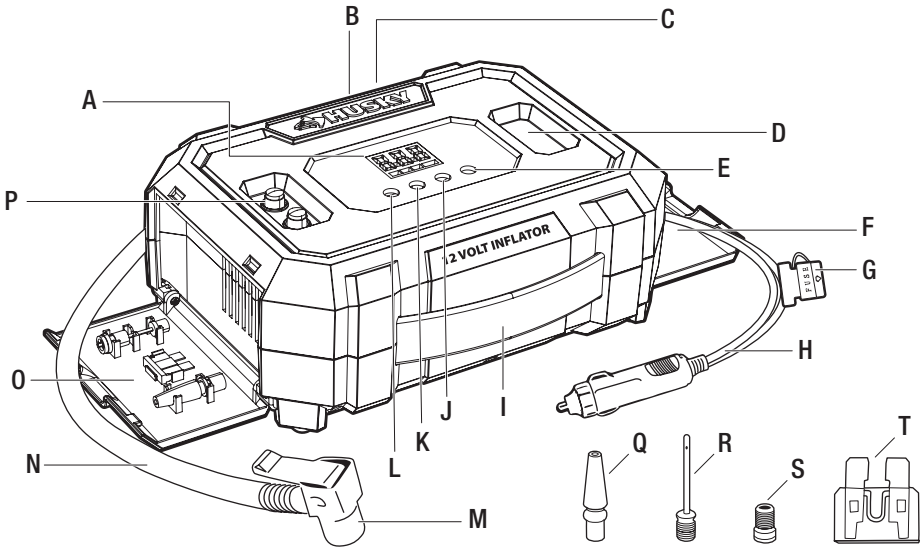
WARNING: Always operate the inflator with the power cord storage compartment door open. This allows for proper cooling while the inflator is in use.

SPECIFICATIONS

Voltage	DC 12-Volt
Power Requirement	DC 12-Volt – For use with 12-Volt or DC power outlet only
Max. Amperage	15A
Max. Pressure	130 PSI

Pre-Installation (continued)

PACKAGE CONTENTS



Part	Description	Quantity
A	Backlit Digital Pressure Gauge	1
B	LED Worklight	1
C	Air Hose Storage	1
D	Tire Valve Cap Tray	1
E	Target PSI Decrease Button	1
F	12-Volt Power Cord Storage	1
G	In-Line 15-Amp Fuse	1
H	12-Volt Power Cord	1
I	Carrying Handle	1
J	Start/Stop Button	1
K	On/Off LED Worklight Button	1
L	Target PSI Increase Button	1
M	Quick Connect Valve Adapter	1
N	Air Hose	1
O	Accessories Storage	1
P	Extra Tire Valve Caps	1
Q	Mattress Nozzle	1
R	Sports Needle	1
S	Presta Valve Adapter	1
T	Spare Fuse (15-Amp) / Standard Size Automotive – ATO 15-Amp	1

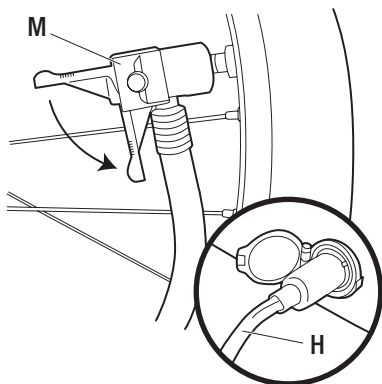
Operation - Inflate Tires

1 Connecting the Inflator

- Place the inflator on a flat surface.
- Plug the 12-Volt power cord (H) into a DC 12-Volt power outlet.
- Connect the quick connect valve adapter (M) to the tire air valve by pushing the valve lever on the valve adapter (M) down until it is securely attached to the tire air valve.



CAUTION: Do not over-inflate the item you are inflating. Follow the manufacturer's instructions for the item you are inflating.



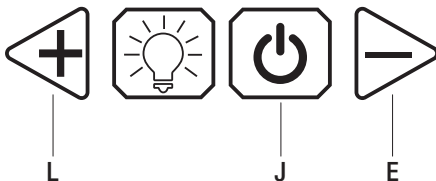
2 Operating the Inflator

- Press the target PSI button + or – (L or E) to set a target PSI. The digital display will flash 3 times with the set target PSI. On the 4th flash, the display will show the current air pressure for the item being inflated. This indicates that the target PSI has been set and the inflator is ready to begin inflating.
- Press the Start/Stop button (J) to start or stop inflation.



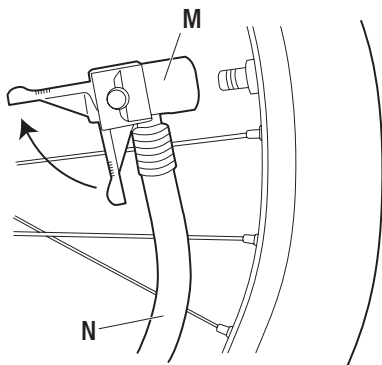
NOTE: The inflator will shut off automatically when the target PSI is reached.

- To power off the inflator, unplug the power cord (H) from the 12-Volt outlet. Allow the inflator to cool.



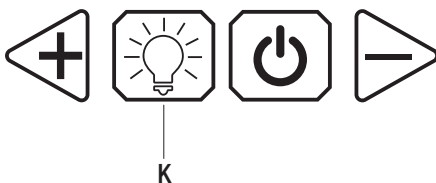
3 Disconnecting the Inflator

- Remove the air hose (N) from the tire by lifting up on the quick connect valve adapter (M) lever and remove the valve adapter (M).
- To power off the inflator, unplug the power cord (H) from the 12-Volt outlet. Allow the inflator to cool.



4 Operating the LED Worklight

- Press the LED worklight button (K) to turn on or turn off.



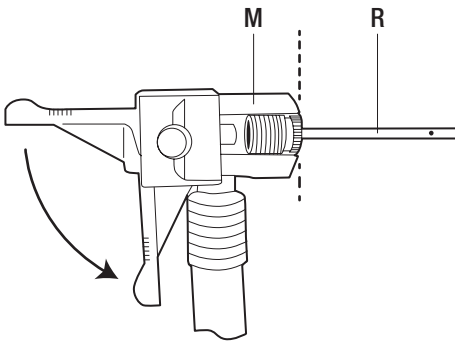
Operation - Inflate Toys and Air Mattresses

1 Connecting the Inflator

- Place the inflator on a flat surface.
- Plug the 12-Volt power cord (H) into a DC 12-Volt power outlet.
- Select the appropriate inflation accessory (Q, R, S) and insert it into the quick connect valve adapter (M). Make sure the accessory (Q, R, S) is flush with the end of the quick connect valve adapter (M) so that the airflow to the accessory is not blocked by the tire valve pin inside the quick connect valve (M).

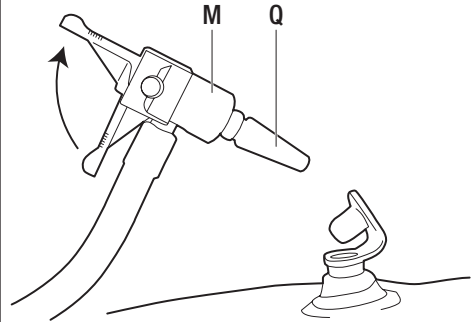


CAUTION: Do not over-inflate the item you are inflating. Follow the manufacturer's instructions for the item you are inflating.



2 Disconnecting the Inflator

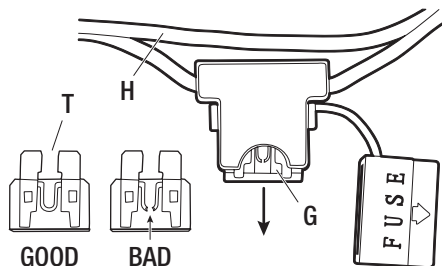
- Remove the inflation accessory (Q, R, S) from the quick connect valve adapter (M).
- To power off the inflator, unplug the power cord (H) from the 12-Volt outlet. Allow the inflator to cool.



Maintenance

REPLACING THE FUSE

- Check the spade fuse that is built into the 12-Volt DC power cord (H).
- Lift cover and then remove and examine the fuse (G). If the metal link inside is separated/broken and/or discolored, the fuse is bad and needs to be replaced.
- To replace, only use the included spare 15-Amp fuse or a standard size automotive – ATO 15-Amp spade fuse (T). Press it firmly into place and then put the cover over the fuse to protect it.



Care and Cleaning

- Clean the inflator with a non-abrasive slightly damp cloth as needed.
- Locate the inflator in a clean, dry, and well ventilated area. The inflator pump and housing are designed to allow for proper cooling. The ventilation openings on the inflator are necessary to maintain proper operating temperature. Do not place rags or other materials on or near these openings.
- Wipe plastic parts clean using mild soap and warm water.
- Any other servicing should be done by an authorized service representative.

Troubleshooting

Problem	Possible Cause	Solution
The unit will not start.	The cord is not plugged in.	Plug the cord into a working 12-Volt DC power outlet.
	The fuse in the 12-Volt DC power cord is blown.	Replace the 15-Amp fuse in the 12-Volt DC power cord. See "Replacing the Fuse" in the Maintenance section of this document.

Recommended Pressure

Car Tire	25-35 PSI
SUV Tire	30-45 PSI
Bike Tire	40-110 PSI
Sports Balls	5-15 PSI



WARNING: These pressure ratings are recommendations only. Always read and follow manufacturers' guidelines for specified pressure settings.



Questions, problems, missing parts? Before returning to the store,
call Husky Customer Service
8 a.m. - 7 p.m., EST, Monday-Friday, 9 a.m. - 6 p.m., EST, Saturday

1-888-HD-HUSKY

HUSKYTOOLS.COM

Retain this manual for future use.