

SUN2000-(196KTL-H3, 200KTL-H3, 215KTL-H3)

Series

Quick Guide

Issue: 09

Part Number: 31508120

Date: 2024-01-30

HUAWEI TECHNOLOGIES CO., LTD.



HUAWEI

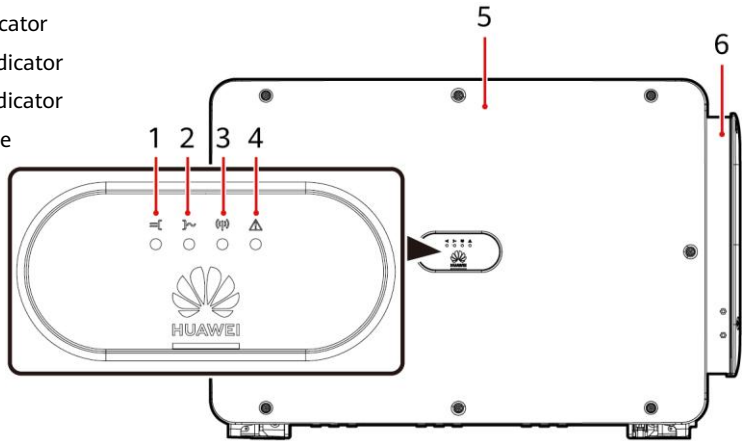
NOTICE

- The information in this document is subject to change without notice. Every effort has been made in the preparation of this document to ensure accuracy of the contents, but all statements, information, and recommendations in this document do not constitute a warranty of any kind, express or implied.
- Only qualified and trained electrical technicians are allowed to operate the device. Operators should understand the composition and working principles of the grid-tied PV power system and local standards.
- Before installing the device, read the user manual carefully to get familiar with product information and safety precautions. Huawei shall not be liable for any consequences caused by the violation of the storage, transportation, installation, and operation regulations specified in this document and the user manual.
- Use insulated tools when installing the device. For personal safety, wear proper personal protective equipment (PPE).

1 Product Overview

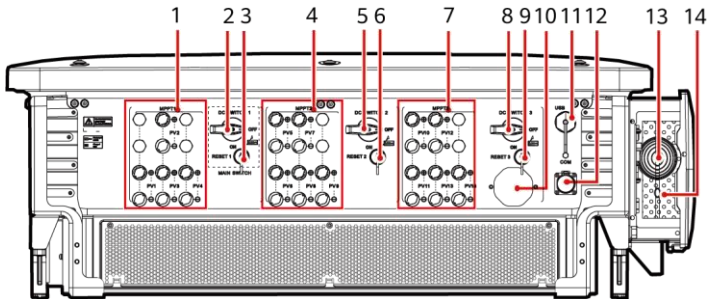
Front View

- (1) PV connection indicator
- (2) Grid connection indicator
- (3) Communication indicator
- (4) Alarm/Maintenance indicator
- (5) Host panel cover
- (6) Maintenance compartment



IS06W00059

Port Description





IS13W0009

- (1) DC input terminals (controlled by DC SWITCH 1)
- (2) DC switch 1 (DC SWITCH 1)
- (3) Reset button 1 (RESET 1)
- (4) DC input terminals (controlled by DC SWITCH 2)
- (5) DC switch 2 (DC SWITCH 2)
- (6) Reset button 2 (RESET 2)
- (7) DC input terminals (controlled by DC SWITCH 3)
- (8) DC switch 3 (DC SWITCH 3)
- (9) Reset button 3 (RESET 3)
- (10) Ventilation valve
- (11) USB port (USB)
- (12) Communications port (COM)
- (13) Hole for the AC output power cable
- (14) Hole for the tracking system power cable

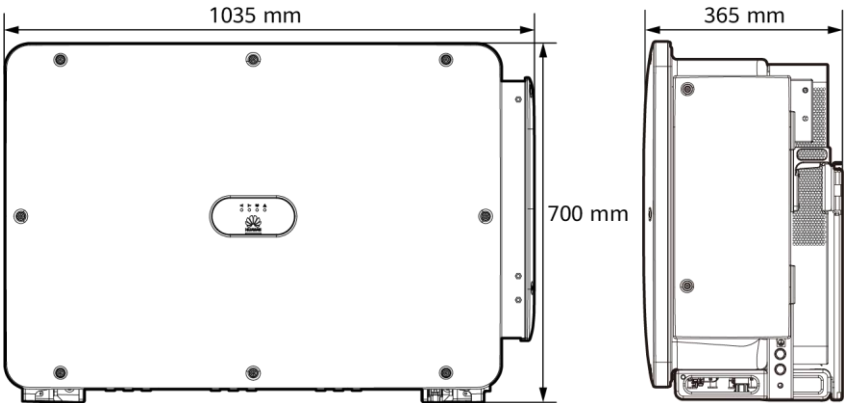
DC Switch Description

⚠ DANGER

- The DC switches automatically turn off when inverters report an alarm of string in reverse polarity or string current backfeed. Check the fault type on the mobile phone app. After the fault is rectified, press the RESET buttons and then turn on the switches. For details, see "FAQ".
- The DC switches automatically turn off when a fault occurs in the inverters (LED4 is steady red, and the three DC switches are OFF). In this case, contact your technical support. Do not turn on the DC switches by yourself.

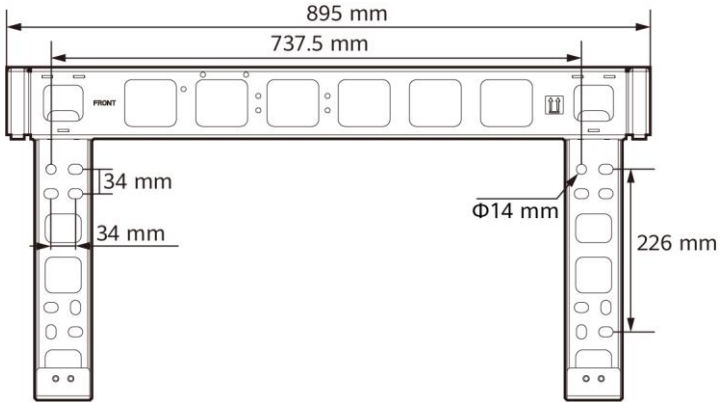
Switch Component	Description	
DC SWITCH	ON	The DC switch is ON and can automatically turn off for protection.
		The DC switch is ON but cannot automatically turn off for protection.
	OFF	The DC switch is OFF.
RESET	<ul style="list-style-type: none"> When the DC switch automatically turns off for protection, the RESET button will be released. When the RESET button is not pressed, the DC switch can only be turned to the unloaded position , and cannot be set to the ON position. 	

SUN2000 Dimensions



IS06W00037

Mounting Bracket Dimensions



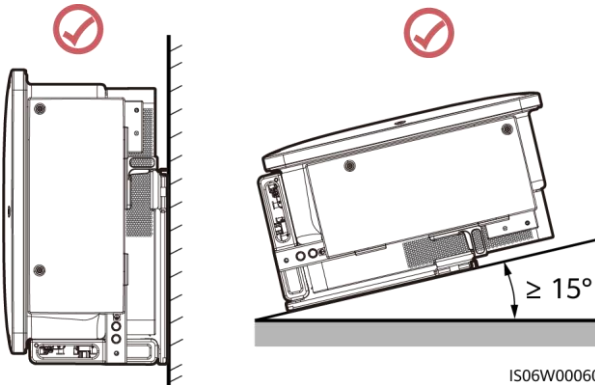
IS06W00038

2 Installation Requirements

NOTICE

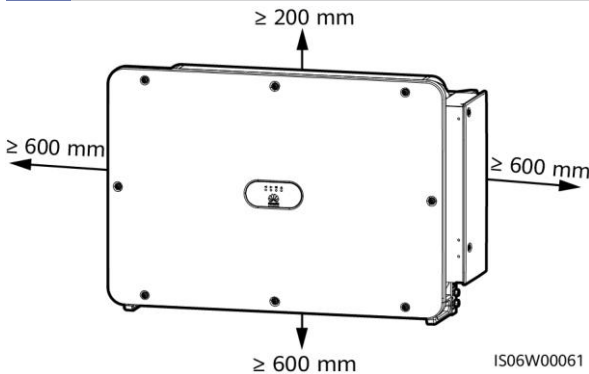
If inverters are installed in a place with abundant vegetation, in addition to routine weeding, harden the ground underneath the inverters using cement or gravel (recommended area: 3 m x 2.5 m).

2.1 Installation Angle



IS06W00060

2.2 Installation Space



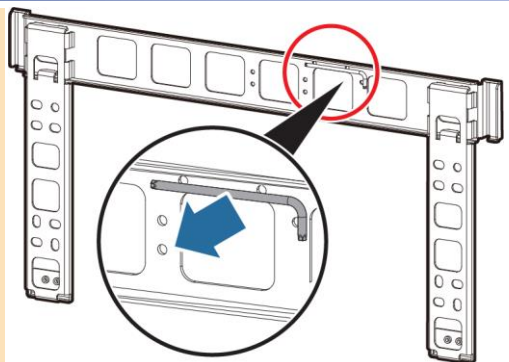
NOTE

The clearance at the bottom must meet the requirements on the bending radius of the AC output power cable.

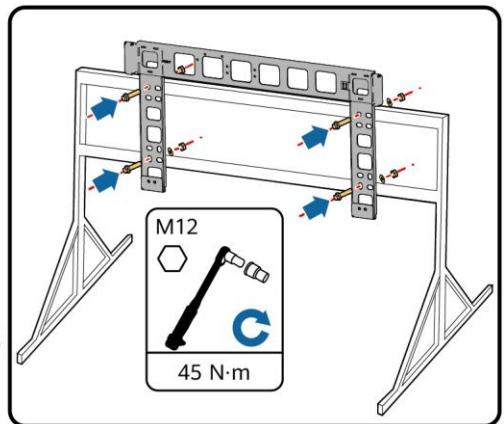
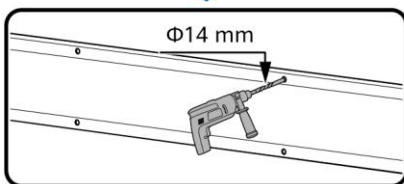
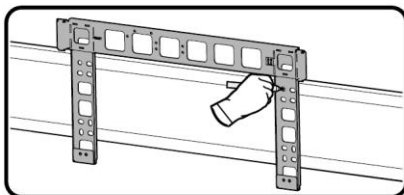
3 Installing the SUN2000

NOTE

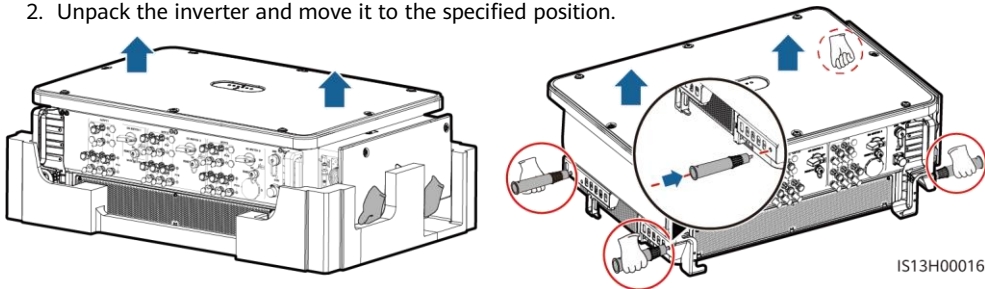
- The M12x40 bolt assemblies are delivered with the SUN2000 (bound to the mounting bracket). If the bolt assembly length does not meet the installation requirements, prepare M12 bolt assemblies by yourself and use them together with the delivered M12 nuts.
- This document introduces how to install the SUN2000 on a support as an example. For details about wall-mounted installation, see the user manual.
- Before installing the mounting bracket, remove the security Torx wrench from the mounting bracket and save it for later use.



1. Install the mounting bracket.



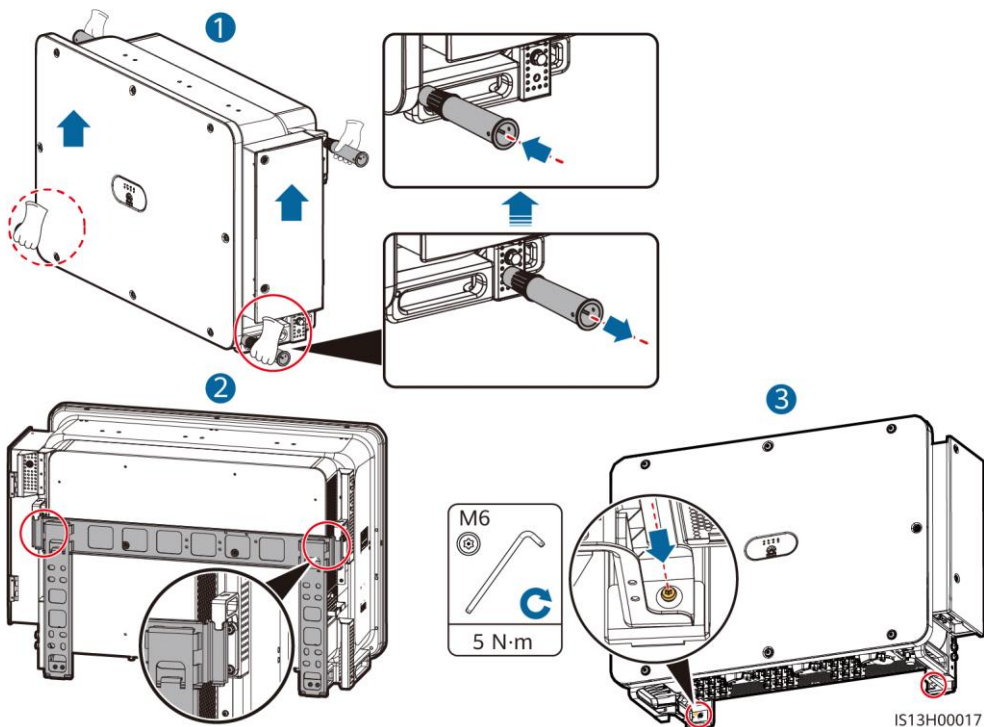
2. Unpack the inverter and move it to the specified position.



NOTE

Handles are packed in a fitting bag and are not delivered with the SUN2000.

3. Adjust the installation positions of the handles, and install the SUN2000 on the mounting bracket.



4 Installing Cables

4.1 Installation Preparations

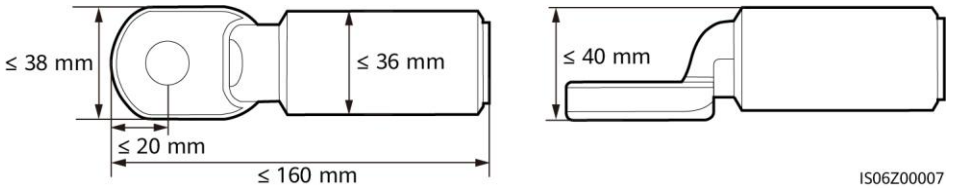
NOTE

If outdoor copper-core cables are used, select copper wiring terminals. For details about the requirements for cables and terminals of other materials, see the user manual.

No.	Item	Type	Specifications	Description
1	PE cable	Single-core outdoor copper cable	Conductor cross-sectional area $\geq S/2$ ^[1] (S is the conductor cross-sectional area of the AC output power cable.)	<ul style="list-style-type: none"> If you choose the ground point on the chassis shell for connecting a PE cable, prepare the PE cable. If you choose the ground point in the maintenance compartment for connecting a PE cable, use a four-core AC output power cable and do not have to prepare a PE cable.
2	AC output power cable ^{[2][3][4]}	Outdoor copper cable	<ul style="list-style-type: none"> Conductor cross-sectional area: 50–240 mm² Cable outer diameter: 24–66 mm (multi-core); 14–32 mm (single-core) 	If you choose the ground point in the maintenance compartment for connecting a PE cable, use a four-core cable. Otherwise, use a three-core cable or three single-core cables.
		Outdoor aluminum-core cable	<ul style="list-style-type: none"> Conductor cross-sectional area: 70–240 mm² (multi-core); 70–240 mm² (single-core) Cable outer diameter: 24–66 mm (multi-core); 14–32 mm (single-core) 	
3	DC input power cable	1500 V copper multi-strand twisted PV cable ^{[5][6]}	<ul style="list-style-type: none"> Conductor cross-sectional area: 4–6 mm² Cable outer diameter: 4.7–6.4 mm 	-
4	RS485 communication cable	Outdoor shielded twisted pair cable	<ul style="list-style-type: none"> Conductor cross-sectional area: 0.25–1 mm² Cable outer diameter: 4–11 mm 	When three communications cables connect to the signal cable connector, the outer diameter of the cables should be 4–8 mm.
5	(Optional) Power cable of the tracking system	Three-core outdoor copper cable with dual-layer protection	<ul style="list-style-type: none"> Conductor cross-sectional area: 10 mm² Cable outer diameter: 15–18 mm 	-

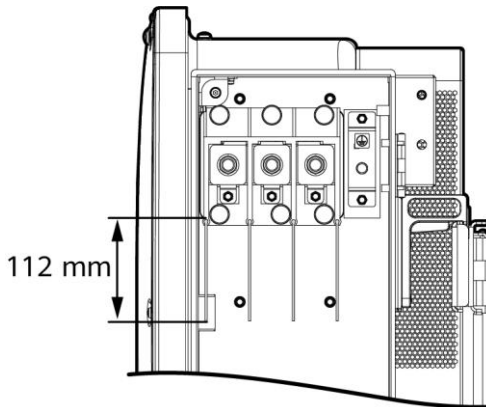
No.	Item	Type	Specifications	Description
				<p>Note [1]: The value is valid only if the conductors of the PE cable and AC power cable use the same material. If the materials are different, ensure that the conductor cross-sectional area of the PE cable produces a conductance equivalent to that of the area $S/2$. The specifications of the PE cable are subject to this table or calculated according to IEC 60364-5-54.</p> <p>Note [2]: You are advised to use a soft cable to prevent poor terminal contact due to the bending stress of the cable.</p> <p>Note [3]: For some models, the outer diameter of a single-core cable ranges from 14 mm to 36 mm based on the label in the maintenance compartment.</p> <p>Note [4]: For some models, when the OT/DT terminal is crimped as shown in the following figure and the rubber baffle plate of the AC wiring terminal is 112 mm, the maximum conductor cross-sectional area of the single-core cable can be 400 mm².</p> <p>Note [5]: Do not connect aluminum or aluminum alloy DC power cables directly to the DC terminals of the inverter.</p> <p>Note [6]: The 1500 V PV cables must comply with IEC 62930 or EN 50618.</p>

Specifications of the Crimped OT/DT Terminal



IS06Z00007

Specification of the Rubber Baffle Plate

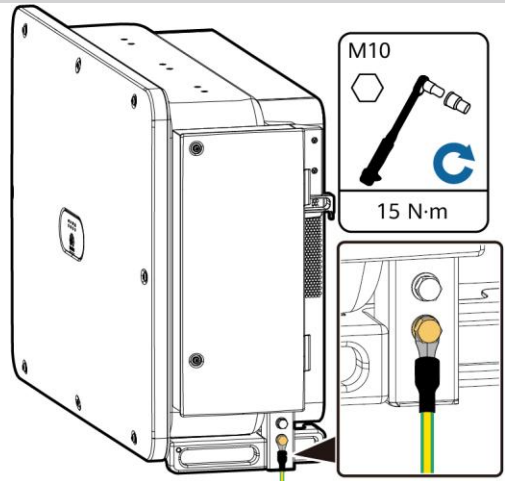


IS06W00081

4.2 Installing the PE Cable

NOTE

- It is recommended that the PE cable be connected to a nearby PE point. Connect the PE points of all SUN2000s in the same PV array to ensure equipotential connections to PE cables.
- To enhance the corrosion resistance of a ground terminal, you are advised to apply silica gel or paint on it after connecting the PE cable.



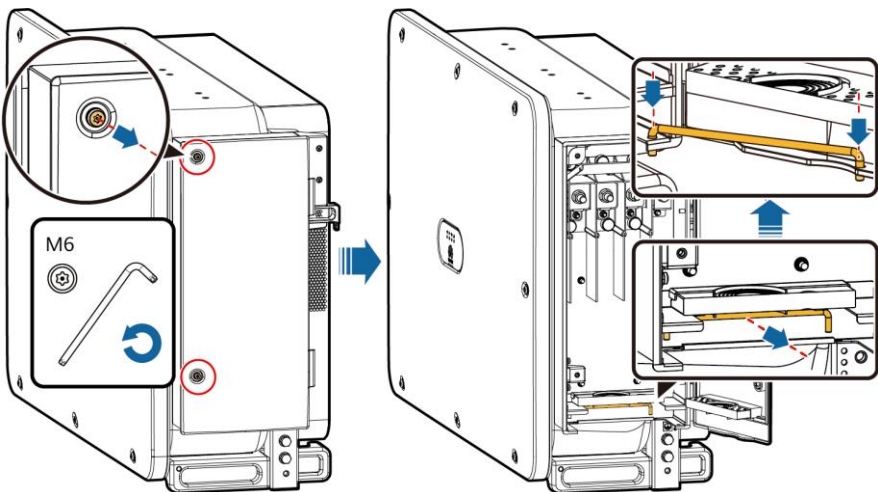
IS06I20043

4.3 Opening the Maintenance Compartment Door

WARNING

- Do not open the host panel of the SUN2000.
- Before opening the SUN2000 maintenance compartment door, turn off the downstream AC output switch and three DC switches at the bottom.
- Do not open the maintenance compartment door in rainy or snowy days. If you must, take protective measures to prevent rain or snow from entering the maintenance compartment.
- Do not leave unused screws in the maintenance compartment.

1. Loosen the screws on the maintenance compartment door.
2. Open the maintenance compartment door and adjust the support bar.

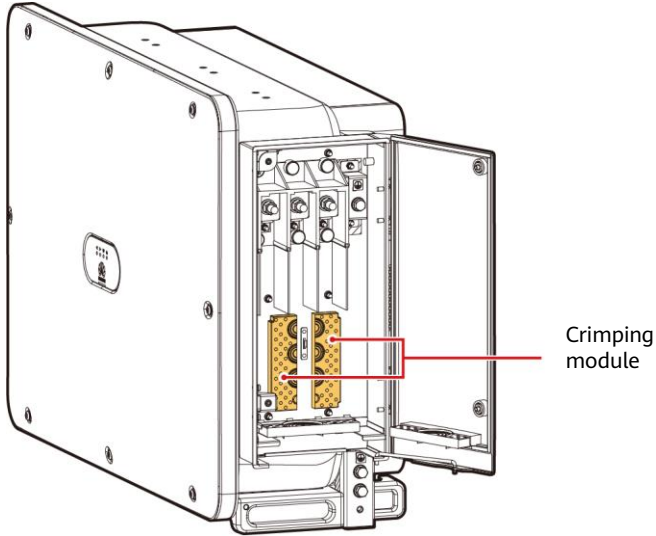


IS06I20040

3. Remove the crimping modules that are bound in the maintenance compartment and save them properly for future use.

NOTE

For some models, a three-hole rubber plug is bound in the maintenance compartment. After removing the rubber plug, save it properly for future use.

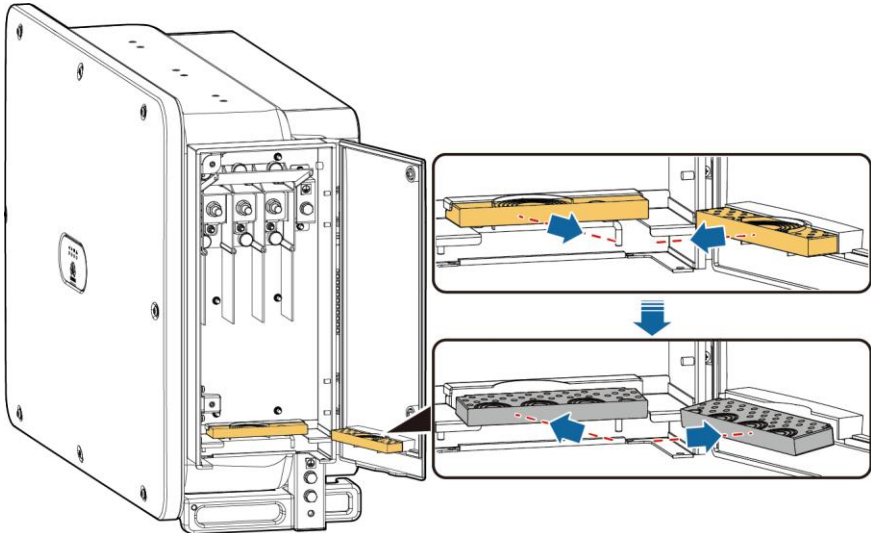


IS06W00063

4.4 (Optional) Replacing the Crimping Module

NOTE

If the AC output power cable has a single core, replace the crimping module.

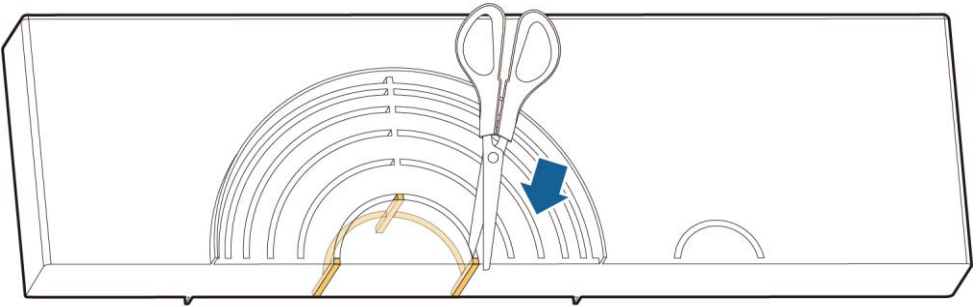


IS06I20047

4.5 Removing the Rubber Rings from the Crimping Module

NOTE

Use scissors to cut off the joints of the rubber rings to remove them. All rubber rings are removed in the same way.

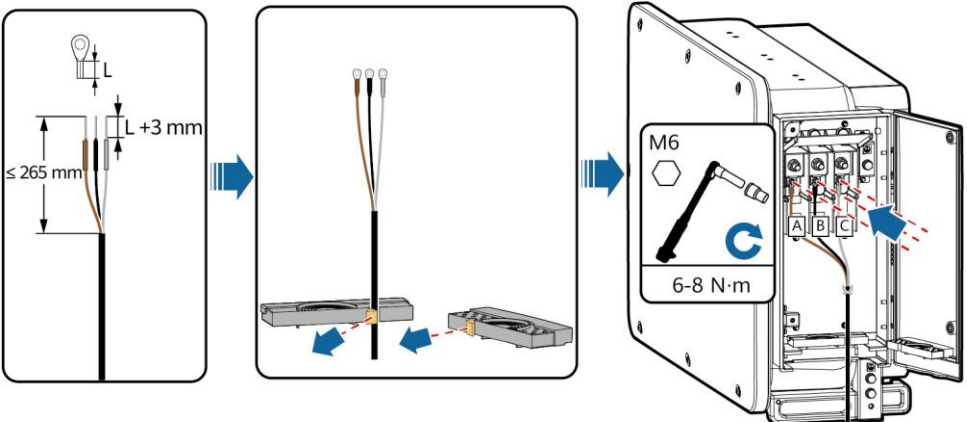


IS06H00106

4.6 (Optional) Installing the Solar Tracker Power Cable

NOTICE

1. A switch-disconnector-fuse or fuse-switch-disconnector with a voltage of no less than 800 V, current of 16 A, and protection type of gM needs to be installed between the SUN2000 and the tracker controller for protection.
2. The cable between the wiring terminal on the power cable and the switch-disconnector-fuse or fuse-switch-disconnector should be less than or equal to 2.5 meters.



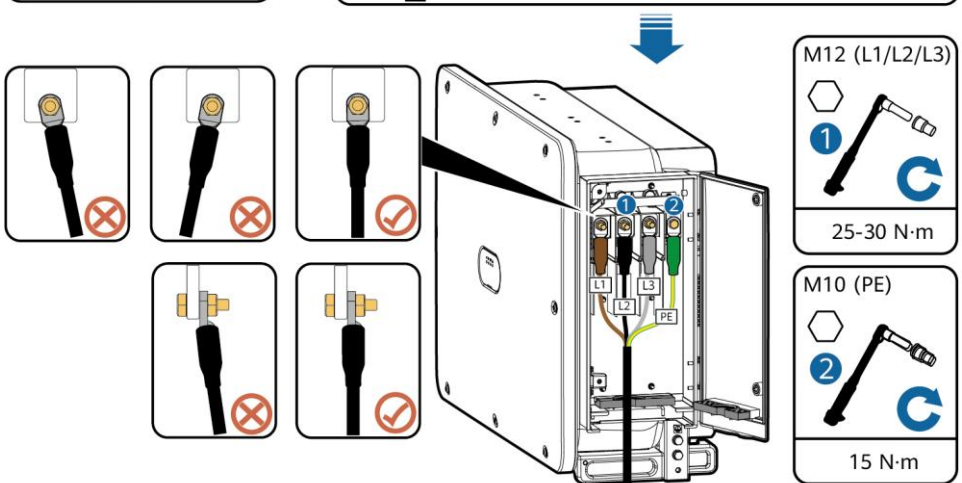
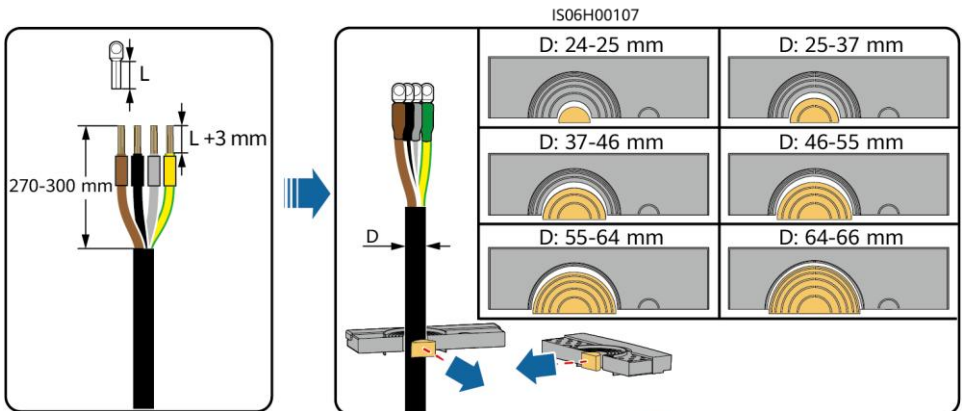
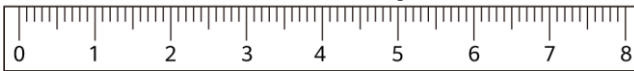
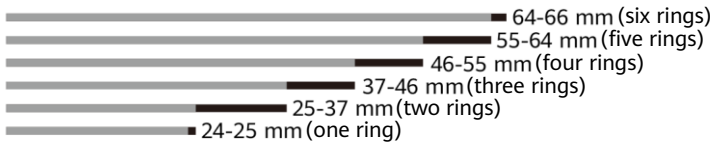
IS06I20044

4.7 Installing AC Output Power Cables

NOTICE

- Remove the corresponding rubber rings in strict accordance with the cable diameter, and ensure that the crimping module is not damaged. Otherwise the protection level of the solar inverter will be affected.
- Ensure that AC terminations provide firm and solid electrical connections. Failing to do so may cause SUN2000 malfunction and damage to its terminal block, even starting thermal events.
- If the AC output power cables are subject to a pulling force because the inverter is not installed stably, ensure that the last cable that bears the stress is the PE cable.

Multi-Core Cable (Four-Core Cable Is Used as an Example)



Single-Core Cable

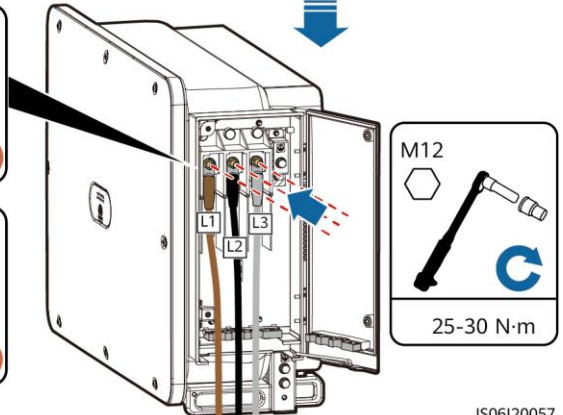
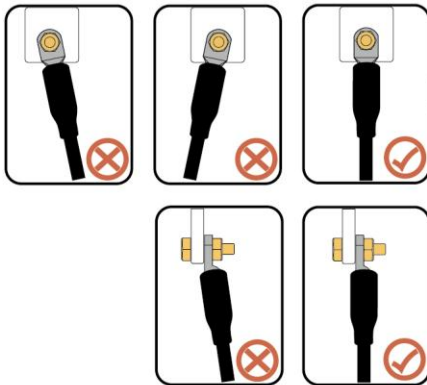
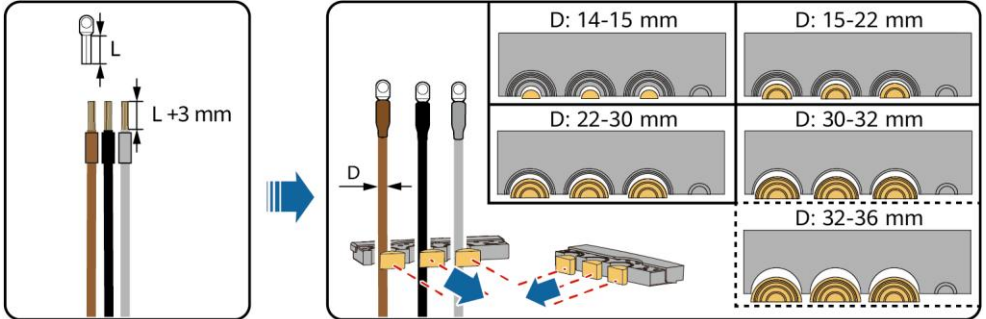
- 32-36 mm (five rings)
- 30-32 mm (four rings)
- 22-30 mm (three rings)
- 15-22 mm (two rings)
- 14-15 mm (one ring)

NOTE

The 32-36 mm cable is supported only by some models. Refer to the corresponding label to get the supported size.



IS06H00126



IS06I20057

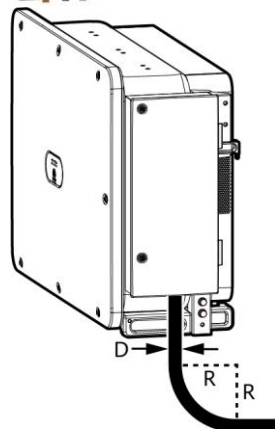
Bending Radius

Multi-Core Cable		Single-Core Cable	
Unarmored	Armored	Unarmored	Armored
$R \geq 15D$	$R \geq 12D$	$R \geq 20D$	$R \geq 15D$

R indicates the bending radius, and D indicates the outer diameter of the cable.

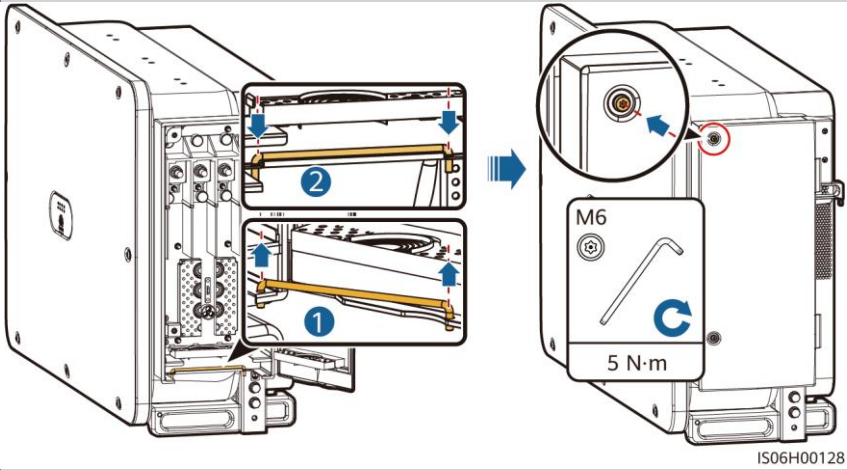
NOTE

The AC power cable must be routed vertically into the maintenance compartment.



IS06I20048

4.8 Closing the Maintenance Compartment Door



4.9 Installing DC Input Power Cables

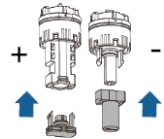
Selecting DC Input Terminals

WARNING

Ensure that the PV module output is well insulated to ground.

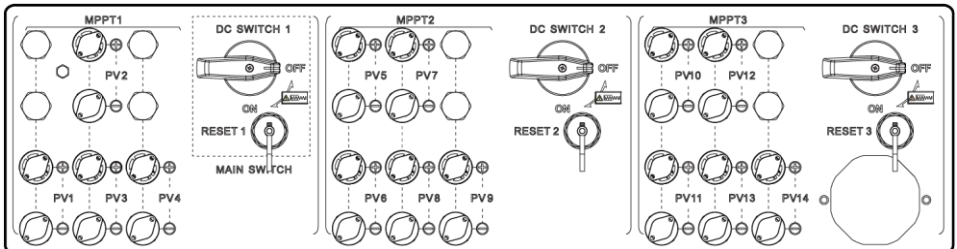
NOTICE

- The PV1 DC input terminal must be connected to a PV string.
- PV1, PV3, PV4, PV6, PV8, PV9, P11, PV13, and PV14 strings are preferentially connected.
- For DC input terminals that are not connected to PV strings, remove the blue plugs and install sealing plugs with snap-fits.



NOTE

- The SUN2000 has three DC switches (DC SWITCH 1, DC SWITCH 2, and DC SWITCH 3). DC SWITCH 1 controls routes 1–4 of DC input terminals, DC SWITCH 2 routes 5–9, and DC SWITCH 3 routes 10–14.
- If a SUN2000-196KTL-H3, SUN2000-200KTL-H3, or SUN2000-215KTL-H3 inverter is used, do not connect each individual PV string in parallel or connect them using Y-branch connectors. Otherwise, the inverter may be damaged.



IS13W00010

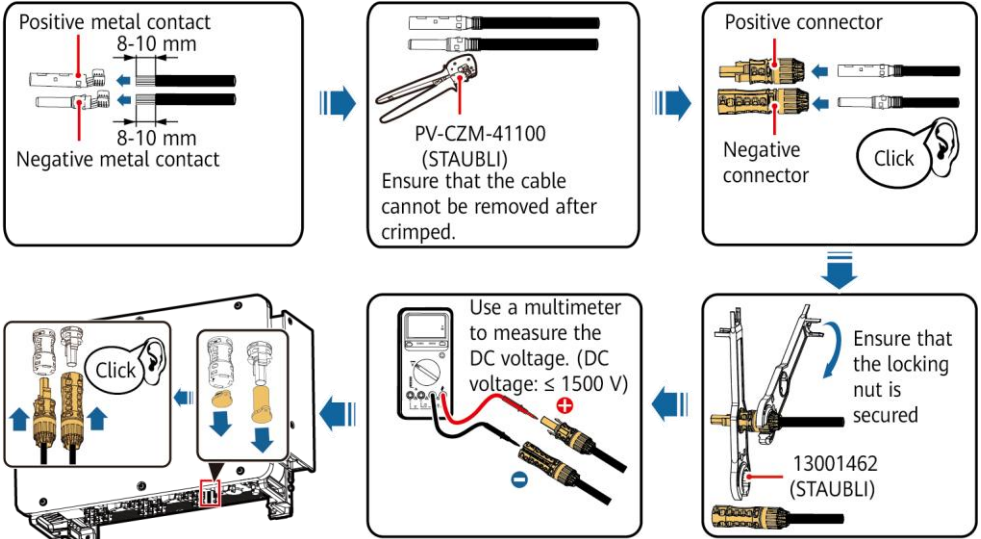
For example, if the number of input routes is 9–14, the DC input terminals are selected as follows.

Number of PV Strings	Terminal Selection	Number of PV Strings	Terminal Selection
9	PV1, PV3, PV4, PV6, PV8, PV9, PV11, PV13 and PV14	10	PV1, PV2, PV3, PV4, PV6, PV8, PV9, PV11, PV13 and PV14
11	PV1, PV2, PV3, PV4, PV5, PV6, PV8, PV9, PV11, PV13 and PV14	12	PV1, PV2, PV3, PV4, PV5, PV6, PV8, PV9, PV10, PV11, PV13 and PV14
13	PV1, PV2, PV3, PV4, PV5, PV6, PV7, PV8, PV9, PV10, PV11, PV13 and PV14	14	PV1, PV2, PV3, PV4, PV5, PV6, PV7, PV8, PV9, PV10, PV11, PV12, PV13 and PV14

NOTICE

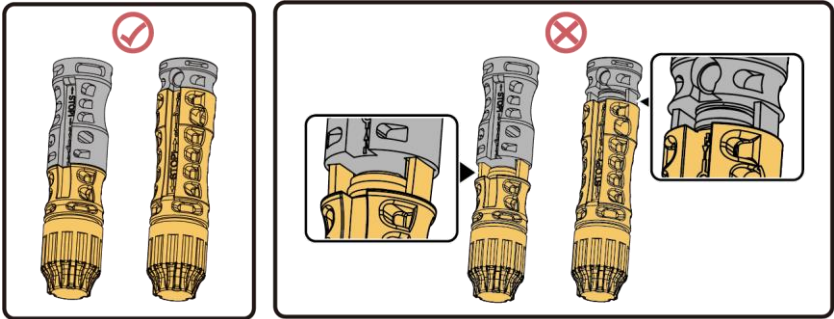
1. Use the MC4 EVO2 PV connectors delivered with the inverter. If the PV connectors are lost or damaged, purchase the connectors of the same model. The device damage caused by incompatible PV connectors is beyond the warranty scope.
2. Before connecting DC input power cables, label the cable polarities to ensure correct cable connections. If the cables are connected incorrectly, the SUN2000 may be damaged.
3. Measure the voltage at the DC input end using a multimeter. If the voltage is a negative value, the DC input polarity is incorrect. Correct the polarity. If the voltage is greater than 1500 V, too many PV modules are configured to the same string. Remove some PV modules.
4. For models of the crimping tool and removal wrench, use the recommended model or contact your Staubli dealer.
5. Connect the PV string connector to the inverter connector, and then pull back the PV string connector along the axial direction to check whether the connectors are securely connected.
6. The connector must be securely connected. Damages caused by improper connection are not covered under the warranty.

Installing a DC Input Power Cable



IS13H00019

Connector connection:



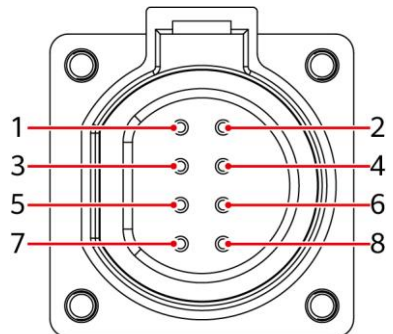
IS06130016

4.10 Installing the RS485 Communications Cable

NOTICE

When routing communications cables, separate communications cables from power cables to prevent communication from being affected.

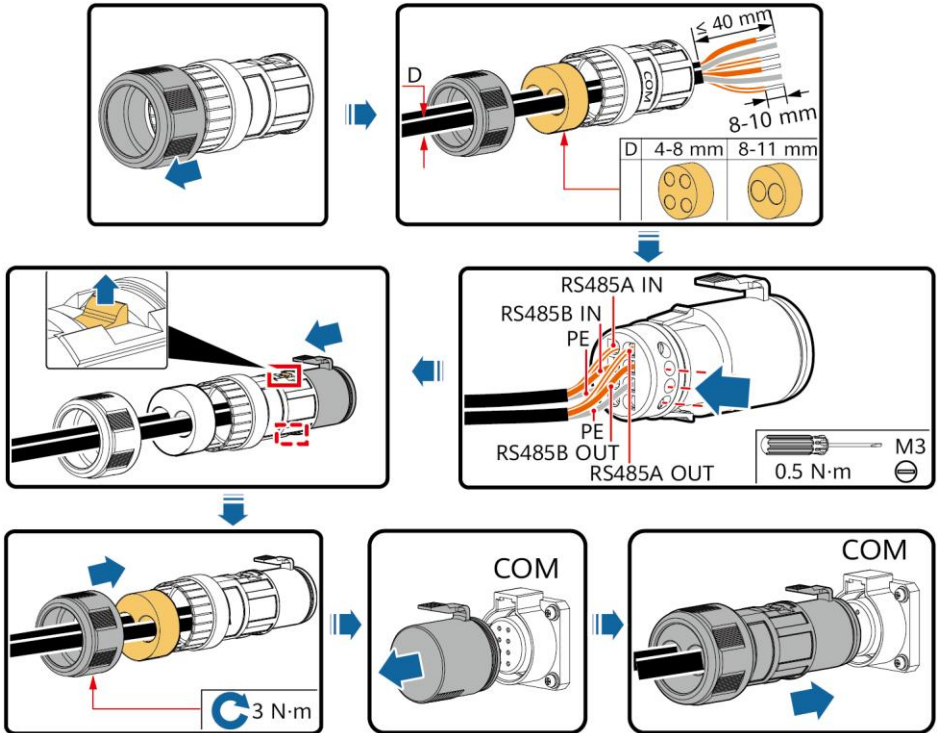
Communication Port Pin Definition



IS05W00024

Port	Pin	Definition	Pin	Definition	Description
RS485-1	1	RS485A IN, RS485 differential signal+	2	RS485A OUT, RS485 differential signal+	Used for cascading inverters or connecting to devices such as the SmartLogger.
	3	RS485B, RS485 differential signal-	4	RS485B, RS485 differential signal-	
PE	5	PE, shielding ground	6	PE, shielding ground	-
RS485-2	7	RS485A, RS485 differential signal+	8	RS485B, RS485 differential signal-	Used for connecting to RS485 slave devices.

Connecting Communications Cables (4–8 mm Four-Hole Rubber Plug)



IS06120049

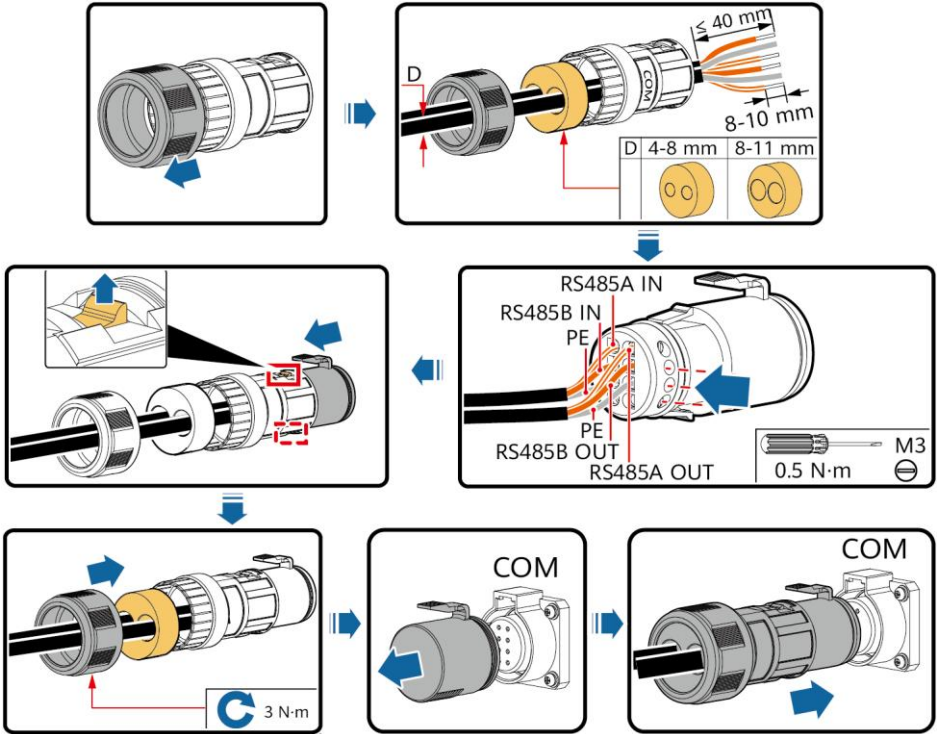
NOTE

When using the four-hole rubber plug, block the unused cable hole with a plug, and then tighten the locking cap.

Connecting Communications Cables (4–8 mm Two-Hole Rubber Plug)

NOTE

If three communications cables are to be connected, use the three-hole rubber plug that is bound in the maintenance compartment.



IS06120050

5 Verifying the Installation


1. The SUN2000 is installed correctly and securely.
2. The DC switches and downstream AC switch are OFF.
3. All ground cables are connected securely, without open circuits or short circuits.
4. AC output power cables are connected correctly and securely, without open circuits or short circuits.
5. DC input power cables are connected correctly and securely, without open circuits or short circuits.
6. The RS485 communications cable is connected correctly and securely.
7. The maintenance compartment door is closed and the door screws are tightened.
8. Unused DC input terminals are sealed.
9. Unused USB ports are plugged with watertight caps.

6 Powering On the System

WARNING

When LED2 is steady green (meaning that the inverter is grid-tied), do not turn on any DC switch. Otherwise, the inverter may be damaged because the insulation resistance is not detected.

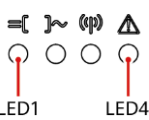
NOTICE

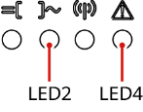
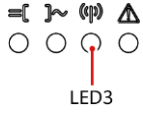
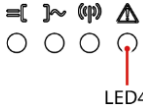
- When powering on the system, you must switch on DC SWITCH 1 first, and then switch on DC SWITCH 2 and DC SWITCH 3 after LED1 is steady on. Huawei shall not be held liable for damages caused by failing to follow this sequence.
- Before turning on the AC switch between the SUN2000 and the power grid, use a multimeter to check that the AC voltage is within the specified range.
- The DC switches support automatic disconnection. Reverse polarity or improper PV module configuration will trigger automatic disconnection of DC switches. In this case, do not forcibly turn on the switches before the faults are fixed. Otherwise, damages caused by the forced switch-on will not be covered under any warranty.
- Do not turn the DC switch to the unloaded position .

1. Turn on the AC switch between the SUN2000 and the power grid.
2. Set DC SWITCH 1 at the bottom of the SUN2000 chassis to ON. When you hear a click sound, the switch is ON.
3. Check the status of LED 1.
 - If it is steady green, set DC SWITCH 2 and DC SWITCH 3 to ON.
 - Wait one minute after power-on, if LED 1 is off, do not turn on other DC switches. At the same time, turn off DC SWITCH 1 and check whether the input power cables are correctly connected.
4. Observe the LED indicators to check the SUN2000 operating status.

NOTE

- Blinking at short intervals (on for 0.2s and then off for 0.2s).
- Blinking at long intervals (on for 1s and then off for 1s).

Display Category	Indicator Status		Description
PV indication  LED1 LED4	LED1	LED4	-
	Steady green	-	At least one PV string is properly connected, and the DC input voltage of the corresponding MPPT circuit is higher than or equal to 500 V.
	Blinking green at short intervals	Steady red	An environmental fault occurs at DC side.
	Off	-	The SUN2000 disconnects from all PV strings, or the DC input voltage of each MPPT circuit is less than 500 V.

Display Category	Indicator Status		Description
Grid connection indication  LED2 LED4	LED2	LED4	-
	Steady green	-	The SUN2000 has connected to the power grid.
	Blinking green at short intervals	Steady red	An environmental fault occurs at AC side.
	Off	-	The SUN2000 does not connect to the power grid.
Communications indication  LED3	LED3		-
	Blinking green at short intervals		The SUN2000 receives data over RS485 or MBUS communication.
	Off		The SUN2000 has not received data over RS485 or MBUS communication for 10 seconds.
Alarm/O&M indication  LED4	LED4		-
	Steady red		A warning alarm is generated. If the PV connection indicator and grid connection indicator are both not blinking green fast, replace components or the solar inverter as instructed by the SUN2000 app.
	Blinking red at short intervals		A minor alarm is generated.
	Blinking red at long intervals		A major alarm is generated.
	Steady green		Local maintenance succeeds.
	Blinking green at long intervals		In local maintenance or shuts down over a command.
	Blinking green at short intervals		Local maintenance fails.
	Off		No alarm is generated, and no local maintenance operations are performed.

7 SUN2000 APP

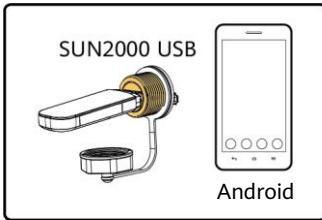
NOTE

1. The SUN2000 app is a mobile phone app that communicates with the solar inverter over a WLAN module, a Bluetooth module, or a USB data cable. As a convenient local monitoring and maintenance platform, it allows for querying alarms, configuring parameters, and performing routine maintenance. The app is named SUN2000.
2. Go to Huawei app store, search for SUN2000, and download the app installation package. You can also scan the QR code to download the installation package.
3. Connect the WLAN module, Bluetooth module, or USB data cable to the USB port on the solar inverter to ensure that the solar inverter can communicate with the SUN2000 app.

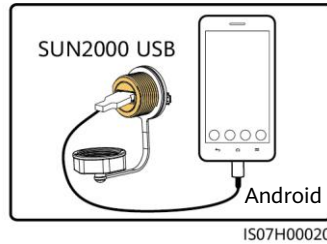


Scan the QR code to download the app (Android).

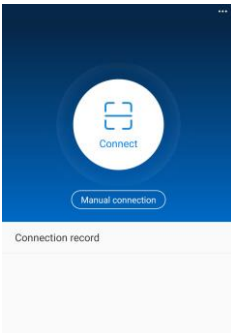
Bluetooth Module or WLAN Module Connection



USB Data Cable Connection



Login Page



Select Connection Mode



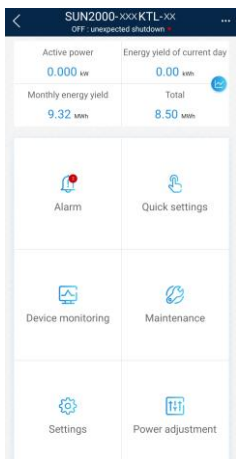
Select User



Quick Settings



Function Menu



NOTICE

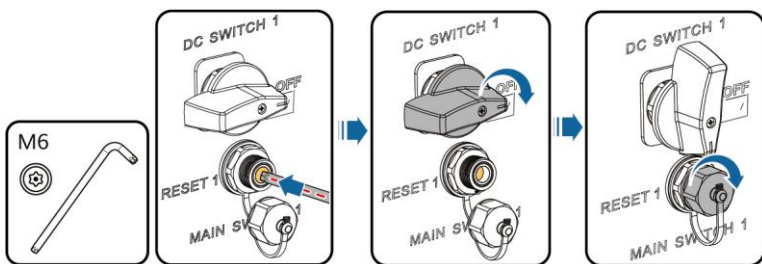
- The screenshots in this document correspond to app version 3.2.00.013 (this app is available only on Android phones currently).
- When the WLAN connection is used, the initial name of the WLAN hotspot is **Adapter-WLAN module SN**, and the initial password is **ChangeMe**.
- The initial password to log in to the app for **Common User**, **Advanced User**, and **Special User** is **00000a**.
- Use the initial password upon first power-on and change it immediately after login. To ensure account security, change the password periodically and keep the new password in mind. Not changing the initial password may cause password disclosure. A password left unchanged for a long period of time may be stolen or cracked. If a password is lost, devices cannot be accessed. In these cases, the user is liable for any loss caused to the PV plant.
- Set the correct grid code based on the application area and scenario of the solar inverter.

8 FAQ

Resetting and Turning On the DC Switch

1. Loosen the caps of the RESET buttons for the three DC switches, and press the RESET buttons inwards until you cannot go any further.
2. Set the DC switches to ON.
3. Tighten the caps of the RESET buttons.

DC SWITCH 1 is used as an example.



IS13H00022

Huawei Technologies Co., Ltd.
Huawei Industrial Base, Bantian, Longgang,
Shenzhen 518129, People's Republic of China
solar.huawei.com