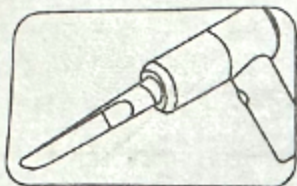
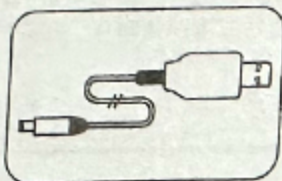


User's Manual

Directions for use

The wireless device

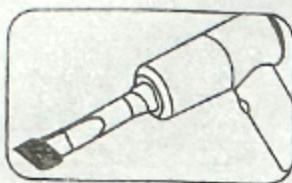
1. Connect the charger to fully charge the battery
2. Connect the corresponding accessories according to the use situation (accessories installation and use)
3. Turn on the power switch of the vacuum cleaner and start working



1. Flat mouth and long mouth: suitable for door, seat, ashtray and other crevices dust cleaning.

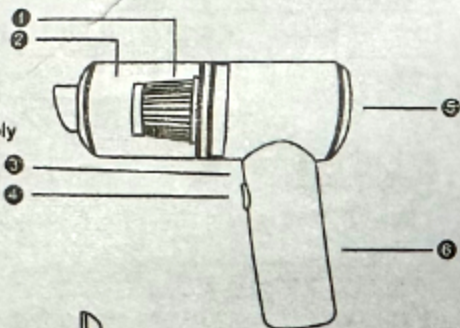
Installation and use of accessories

2. Brush: collection suction, wipe double effect, suitable for all kinds of cushion, pad, seat parts, keyboard and air conditioning outlet surface dust cleaning.



Product introduction

- ① The sea
- ② Dust bin
- ③ The power switch
- ④ Power supply mouth
- ⑤ The cooling mouth
- ⑥ The handle



Fold the wash clean

1. Rotate the dust bin counterclockwise to remove the dust bin from the fuselage
2. Take out the Hippa filter in the dust bin and pour the garbage into the trash can
3. If necessary, use a slightly damp rag or disposable paper towel to clean the dust cup. The filter screen can be washed with water and must be thoroughly dried before use again
4. To reinstall the dust bin, place the Hippa air filter into the dust bin and rotate it in the opposite direction to tighten it by referring to Step 1



After-sales service

customer name		The phone	
address			
The product name		Purchase date	
Warranty that			

1. This warranty card shall be properly kept by the user for warranty proof. If lost, it will not be reissued.
2. Within three months from the date of this product to buy for the warranty period, during the warranty period, because of quality problems Users can by this card along with the upgrade invoice or invoice copy, to our company or contact the local distributors, we have negative new-type computer "3 packets"
3. Non-quality problem, ngt in the three package.

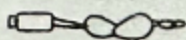
Product parameters

Product model	The noise	The motor power	Product size	The product weight	The capacity of dust	The power supply mode
XCQ001A	Less than 50 db	20W	165*148*56MM	About 250g	0.1L	USB charging

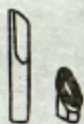
Matters needing attention

1. Do not remove, repair or modify the product unless authorized repair personnel carry it out.
2. Do not cover the air inlet or exhaust outlet when operating the product, otherwise the product may be deformed or caught on fire due to overheating
3. Do not inhale combustibles such as burning cigarette butts when using this product
4. Please place the product properly and keep it away from children.
5. The work indicator light is off. Do not continue working. Please turn off the machine and charge it in a timely manner.

accessories



Charging line



Multi-function suction nozzle combination

Charging prompt description



The switch must be turned off during charging, and it is not necessary to use it during charging.