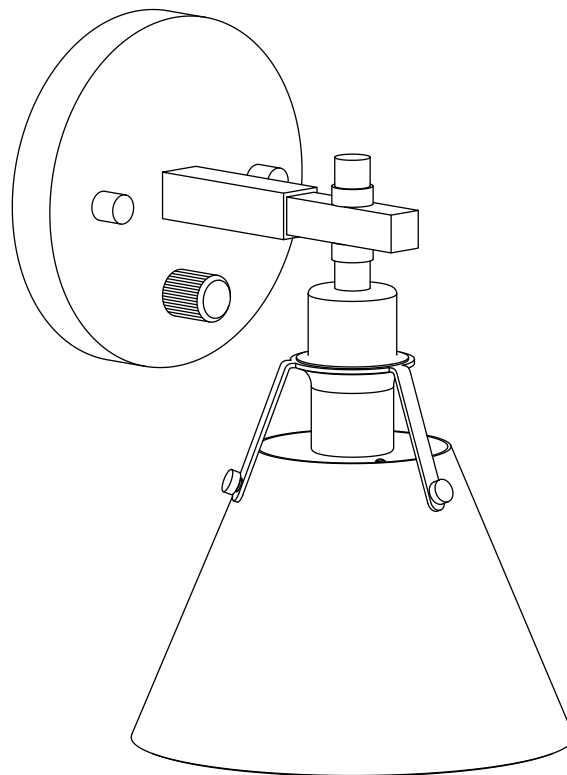


# USE AND CARE GUIDE

---

## 1-LIGHT WALL LAMP



Questions, problems, missing parts? Before returning to the store,  
call Home Decorators Collection Customer Service  
8 a.m. – 7 p.m., EST, Monday – Friday, 9 a.m. – 6 p.m., EST, Saturday

**1-800-986-3460**

**[HOMEDEPOT.COM/HOMEDECORATORS](http://HOMEDEPOT.COM/HOMEDECORATORS)**

---

*THANK YOU*

*We appreciate the trust and confidence you have placed in Home Decorators Collection through the purchase of this fixture. We strive to continually create quality products designed to enhance your home. Visit us online to see our full line of products available for your home improvement needs. Thank you for choosing Home Decorators Collection!*

# Table of Contents

Table of Contents.....	2	Troubleshooting.....	8
Safety Information.....	2	FCC Notice.....	8
Warranty.....	2	Service Parts.....	9
Pre-installation.....	3		
Planning Installation.....	3		
Tools Required.....	3		
Hardware Included.....	3		
Package Contents.....	4		
Installation.....	5		
Operation.....	8		
Care and Cleaning.....	8		

## Safety Information

- We suggest installation by a **licensed electrician**.
- Please read the instructions carefully and save it as you may need it at a later time.



**WARNING:** Make sure the voltage you are using is 120V.



**WARNING:** The wattage per bulb is **Max.40W** type B incandescent bulb or **Max.13W** self-ballasted CFL or **Max.8W** Listed SBLED.



**WARNING:** Please make sure to use the **dimnable** bulb.



**DANGER:** Before you start the installation, **NEVER** attempt any work without shutting off the electricity until the work is done.



**CAUTION:** Mounting surface should be clean, dry, flat, strong enough and 1/4 inch larger than the canopy on all sides.



**CAUTION:** Any gaps between the mounting surface and canopy exceeding 3/16 inch should be corrected as required.



**CAUTION:** Make sure that the ceiling or wall can stand the weight of the lamp before installation.



**NOTE:** The safety instructions appearing in this manual are not meant to cover all possible conditions that may occur. It must be understood that common sense, caution and care must be used with any electrical products.



**WARNING:** When replacing bulbs, you should turn off or unplug the lamp and you must wait until it is cool as bulbs get hot quickly.

## Warranty

### 5-YEAR WARRANTY

Contact the Customer Service Team at 1-800-986-3460 or visit [www.HomeDepot.com/HomeDecorators](http://www.HomeDepot.com/HomeDecorators).

# Pre-installation

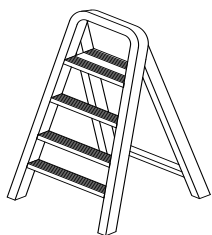
## PLANNING INSTALLATION

Before starting assembly and installation please compare parts with the Hardware Included and Package Contents lists.

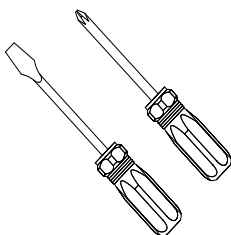


**NOTE:** The tools required for installation are not included.

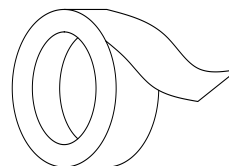
## TOOLS REQUIRED



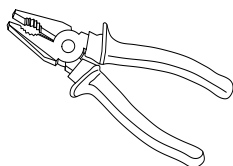
Ladder



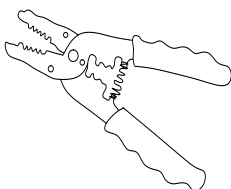
Philips Head or Flat Blade Screwdriver



Electrical Tape



Pliers

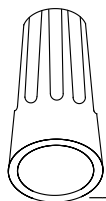


Wire Cutter/Stripper

## HARDWARE INCLUDED



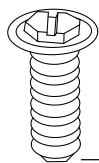
**NOTE:** Hardware not shown to actual size.



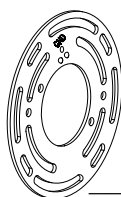
AA



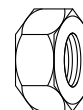
BB



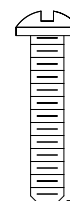
CC



DD



EE



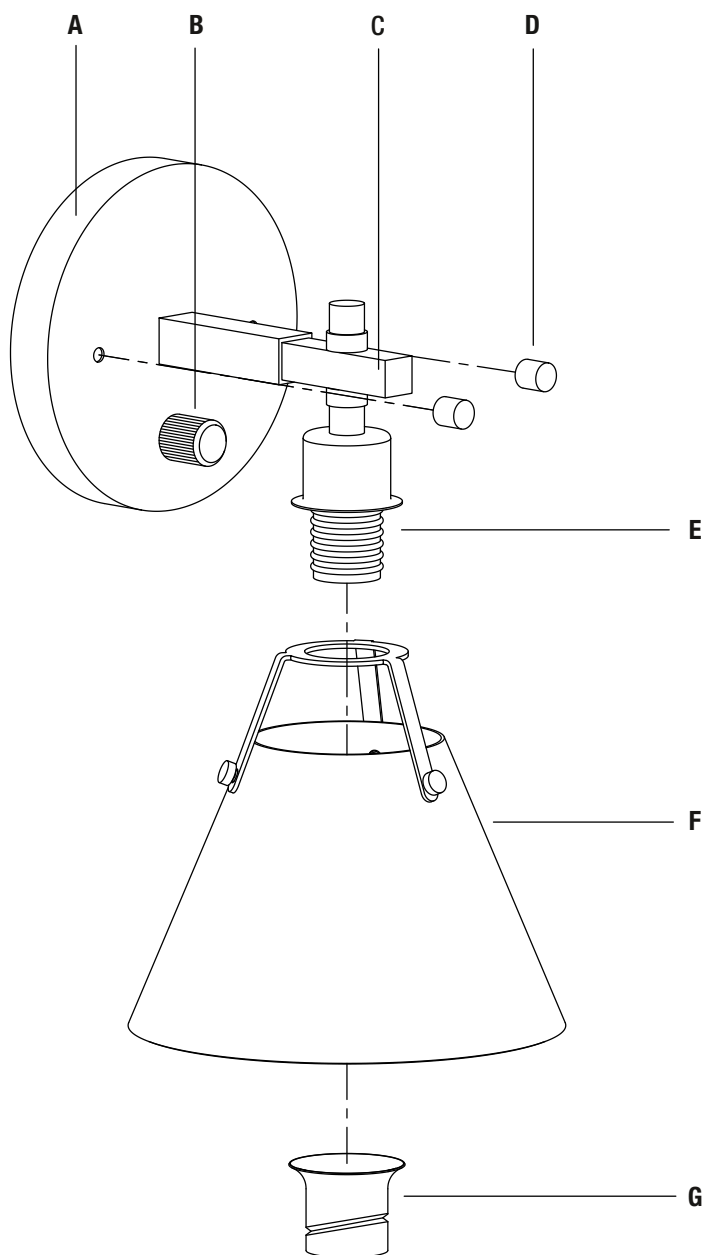
FF

Part	Description	Quantity
AA	Plastic wire connector	3
BB	Mounting screw	2
CC	Green ground screw	1
DD	Mounting plate	1

Part	Description	Quantity
EE	Pre-assembled nut	2
FF	Pre-assembled mounting screw	2

# Pre-installation (continued)

## PACKAGE CONTENTS



Part	Description	Quantity
A	Back plate	1
B	Knob switch	1
C	Arm	1
D	Knob nut	2

Part	Description	Quantity
E	Socket	1
F	Shade	1
G	Socket ring	1

# Installation

## 1 Turning off the power



**DANGER:** Before you start the installation, **NEVER** attempt any work without shutting off the electricity until the work is done.

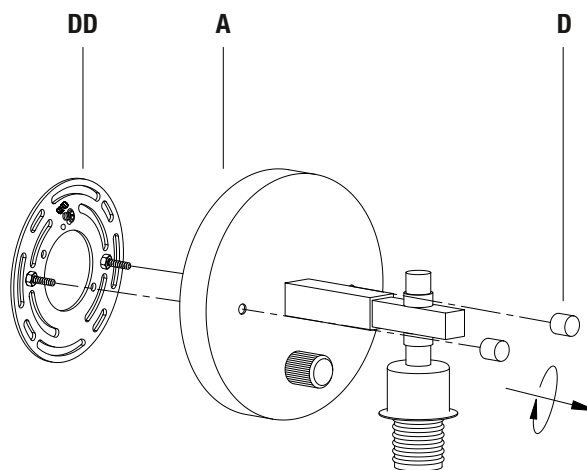
- Go to the main fuse, or circuit breaker, box in your home. Place the main power switch in the "OFF" position.
- Place the wall switch in the "OFF" position.

## 2 Removing the mounting plate

- Unscrew knob nuts (D) from back plate (A).



**NOTE:** Set them aside for later installation.

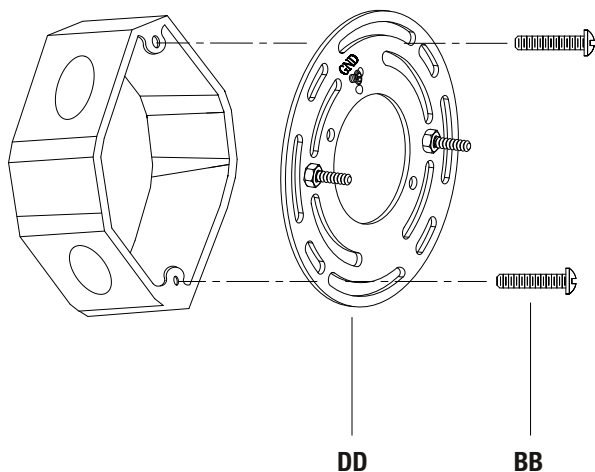


## 3 Installing the mounting plate

- Carefully pass the supply wires from the outlet box through mounting plate (DD).
- Secure mounting plate (DD) to the outlet box with mounting screws (BB).



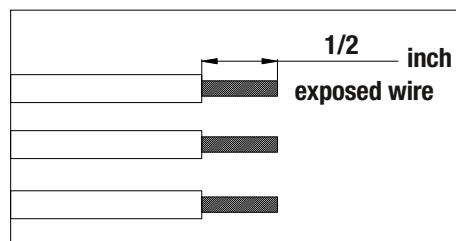
**NOTE:** Make sure the side marked "GND" faces out.



## 4 Check the length of wires



**NOTE:** Before making the wire connection, make sure the exposed length of wires is at least 1/2 inch. If not, strip the wires using wire cutter (not included).



# Installation (continued)

## 5 Connecting the wires

- Twist wires together with plastic wire connectors (AA) until tightly joined according to the diagram.
- Wrap each connector with approved electrical tape.

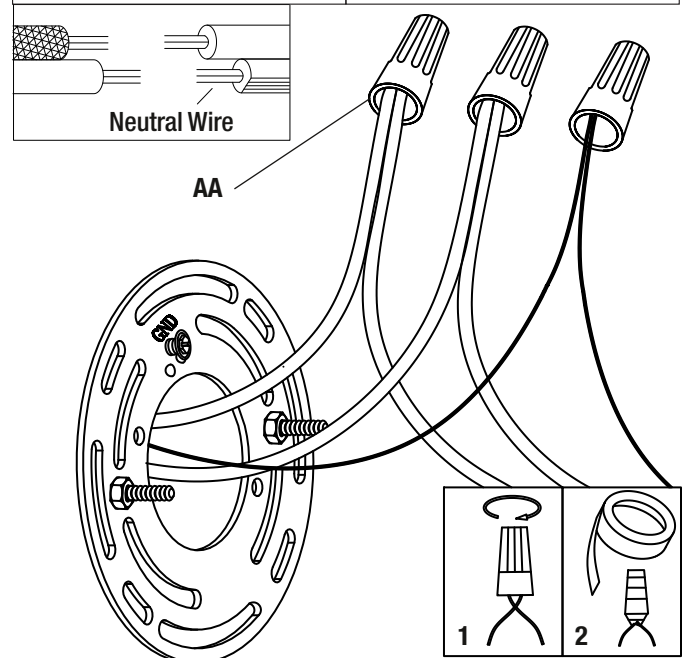


**WARNING:** Please note that ground wire is bare copper wire, and never connect other wires to ground wires.



**NOTE:** When parallel wires (SPT I & SPT II) are used, the neutral wire is square shaped or ridged and the other wire will be round in shape or smooth (see illustration).

Connect Black or Red Supply Wire to:	Connect White Supply Wire to:
Black	White
*Parallel cord (round & smooth)	*Parallel cord (square & ridged)
Clear, Brown, Gold or Black without tracer	Clear, Brown, Gold or Black with tracer
Insulated wire (other than green) with copper conductor	Insulated wire (other than green) with silver conductor

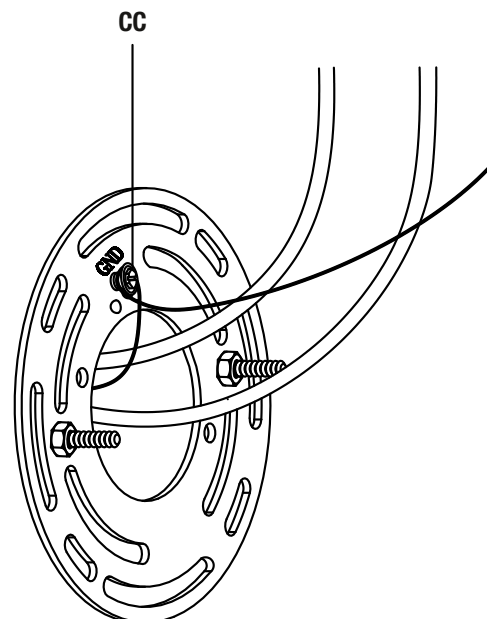


## 6 Attaching the ground wires

- After the outlet ground wire and fixture ground wire connection is secured, slightly unscrew green ground screw (CC).
- Wrap outlet ground wire around green ground screw (CC).
- Tighten green ground screw (CC).



**CAUTION:** Be sure that no wire strands are exposed and then carefully tuck all wires into the outlet box.



# Installation (continued)

## 7 Attaching the back plate

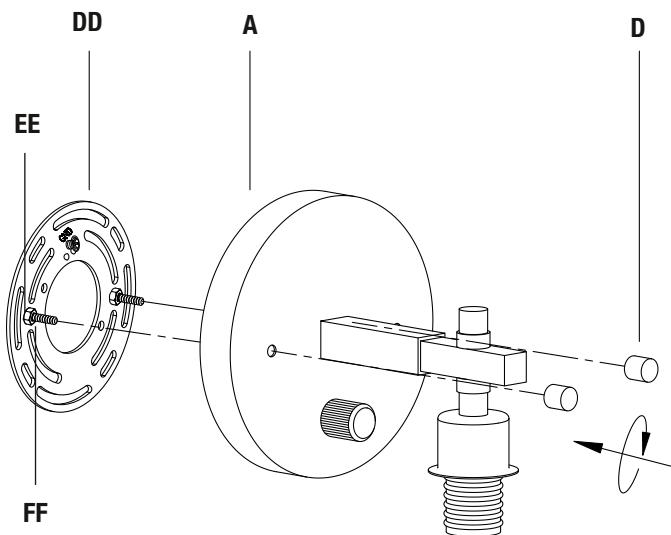
- Align the holes in back plate (A) with the pre-assembled mounting screws (FF).
- Attach back plate (A) to mounting plate (DD) with the previously removed knob nuts (D). Hand tighten until snug.



**NOTE:** Back plate (A) should be snug against the wall with knob nuts (D).

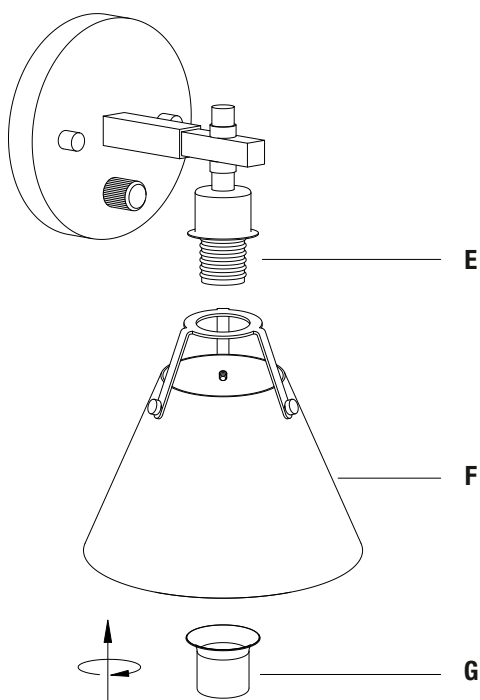
If not, remove back plate (A), adjust the threaded length of pre-assembled mounting screws (FF) on mounting plate assembly (DD):

1. Unscrew the pre-assembled hex nuts (EE).
2. Screw the pre-assembled mounting screws (FF) in or out of mounting plate (DD).
3. When the secure length is achieved, tighten the pre-assembled hex nuts (EE) and return back to Step 7.



## 8 Installing the shade

- Remove socket ring (G) from socket (E).
- Carefully place shade (F) on socket (E).
- Secure it with socket ring (G).

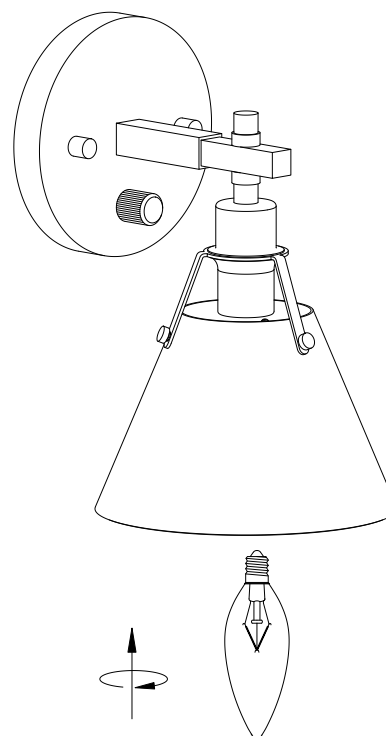


## 9 Installing the bulb (Not included)



**WARNING:** Please make sure to use the **dimmable** bulb and do not exceed the maximum wattage recommended on the socket.

Works with **Max.40W** type B incandescent bulb or **Max.13W** self-ballasted CFL or **Max.8W** Listed SBLED.



# Operation



**CAUTION:** Check everything is already installed properly, then you could turn on the light.

## OFF

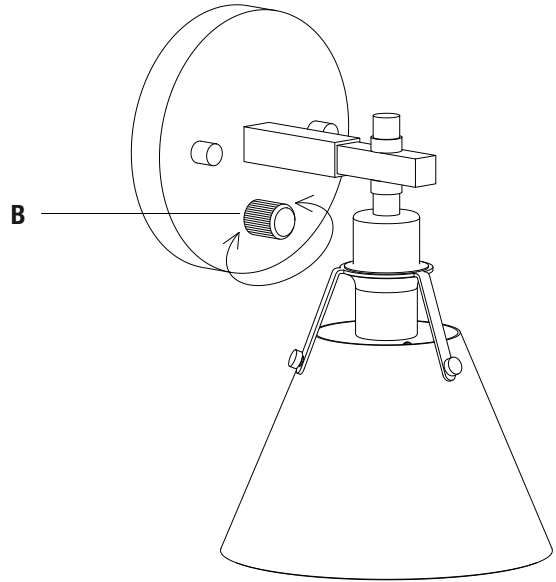
- Rotate knob switch (B) counterclockwise all the way.

## ON

- Rotate knob switch (B) clockwise.

## Dimming

- To increase the brightness: rotate knob switch (B) clockwise lightly.
- To decrease the brightness: rotate knob switch (B) counterclockwise lightly.



# Care and Cleaning

- Keep the lamp away from acidic and alkaline substances in case of damaging the surface of the lamp.
- When installing bulbs, use E12 base bulbs.
- To clean, wipe the fixture with a soft cloth.
- Do not use abrasive materials such as scouring pads or powders, steel wool or abrasive paper.

# Troubleshooting

Problem	Solution
The fixture does not turn on.	<ul style="list-style-type: none"><li>□ Check the wire connections.</li><li>□ Replace the bulb.</li></ul>

# FCC Notice



**WARNING:** Changes or modification to this unit not expressly approved by the party responsible for compliance could void the user's authority to operate the equipment.

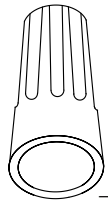
**FCC responsible party:** HOMEANGEL LLC  
**Address:** 122 Hamilton Park Dr  
Tallahassee FL 32304  
**Phone:** (850) 296 2377

**NOTICE:** This device has been tested and found to comply with the limits for a Class B digital device, pursuant to part 15 of the FCC Rules. These limits are designed to provide reasonable protection against harmful interference in a residential installation. This equipment generates, uses and can radiate radio frequency energy and, if not installed and used in accordance with the instruction manual, may cause harmful interference to radio communications. However, there is no guarantee that interference can be determined by turning the equipment off and on, the user is encouraged to try to correct the interface by one or more of the following measures:

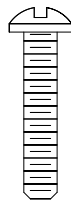
- Reorient or relocate the receiving antenna.
- Increase the separation between the device and receiver.
- Connect the equipment into an outlet on a circuit different from that to which the receiver is connected.
- Consult the dealer or an experienced radio/TV technician for help.

# Service Parts

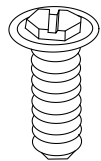
## WALL LAMP



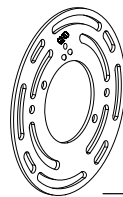
AA



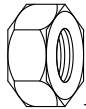
BB



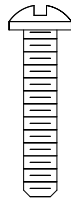
CC



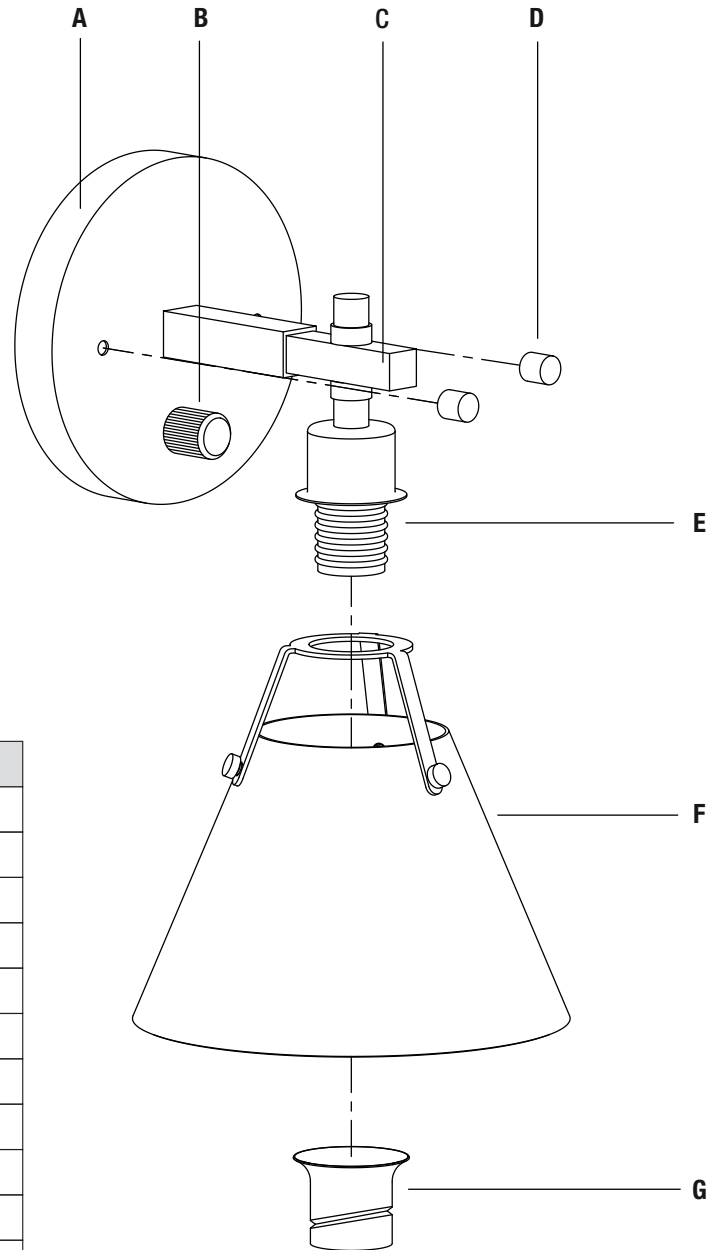
DD



EE



FF



Part	Description	Quantity
A	Back plate	1
B	Knob switch	1
C	Arm	1
D	Knob nut	2
E	Socket	1
F	Shade	1
G	Socket ring	1
AA	Plastic wire connector	3
BB	Mounting screw	2
CC	Green ground screw	1
DD	Mounting plate	1
EE	Pre-assembled nut	2
FF	Pre-assembled mounting screw	2

**HOME**  
**DECORATORS**  
COLLECTION®

Questions, problems, missing parts? Before returning to the store,  
call Home Decorators Collection Customer Service  
8 a.m. – 7 p.m., EST, Monday – Friday, 9 a.m. – 6 p.m., EST, Saturday

**1-800-986-3460**

**[HOMEDEPOT.COM/HOMEDECORATORS](http://HOMEDEPOT.COM/HOMEDECORATORS)**

Retain this manual for future use.