

STEP by STEP INSTALLATION GUIDE



GAMDIAS
HELIOS GOLD | P21300G
90% EFFICIENCY POWER SUPPLY

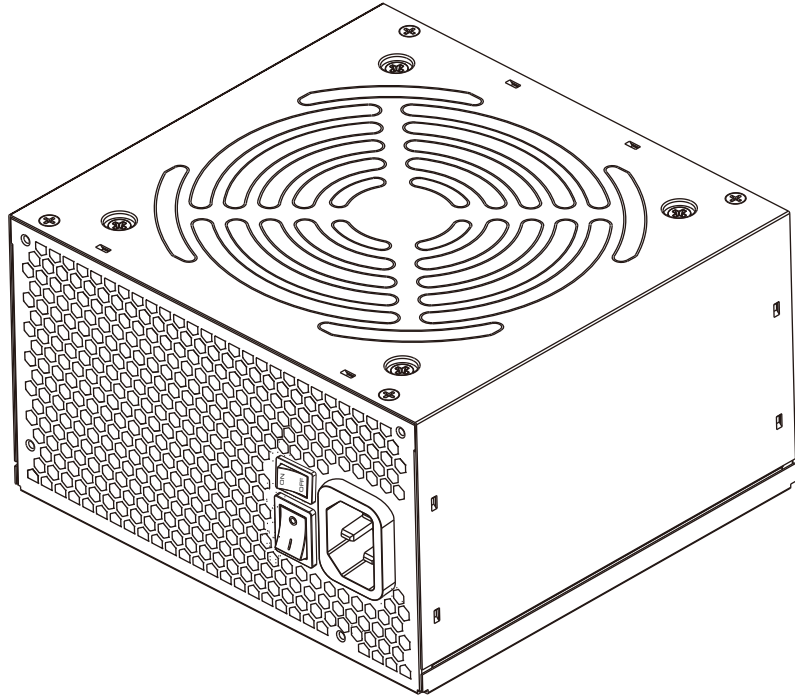
Package Contents

Model Name	HELIOS P2-1300G				
AC Input	100-240V~ ,15-8A,50-60Hz				
DC Output	+3.3V	+5V	+12V	-12V	+5Vsb
Max. Output Current	24A	24A	108.3A	0.5A	3A
Max. Output Power	120W		1300W	6W	15W
Total Power	1300W				

 The power supply should be powered by the source indicated on the rating label

Package Contents

A



X1

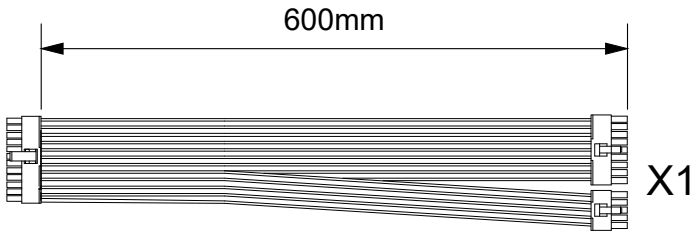
B



X4

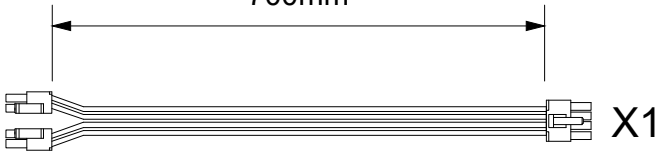
Package Contents

MOTHERBOARD POWER CABLE



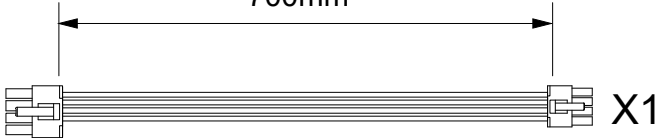
CPU EPS CABLE

700mm



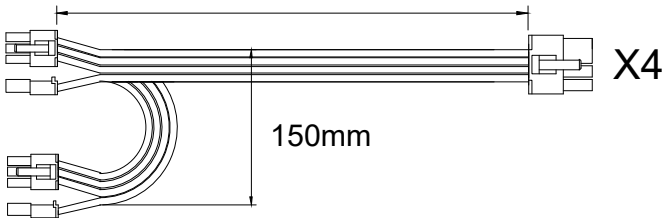
CPU EPS CABLE

700mm



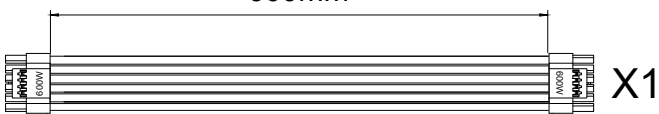
GPU PCI-E CABLE

500mm

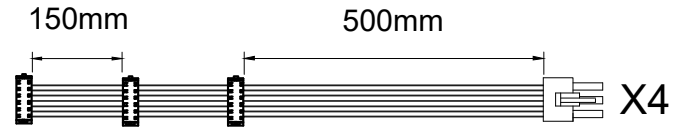


12VHPWR CABLE

600mm

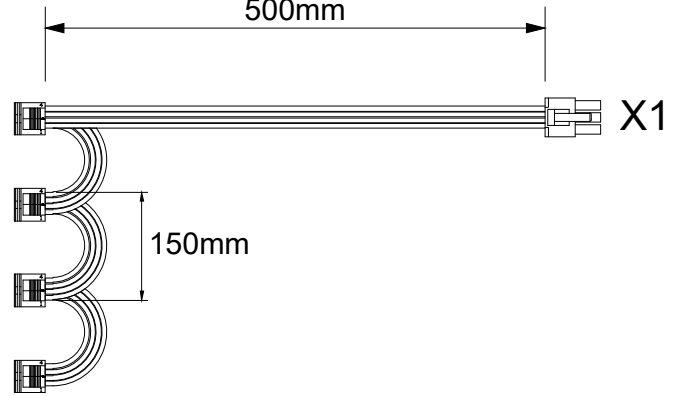


SATA CABLE



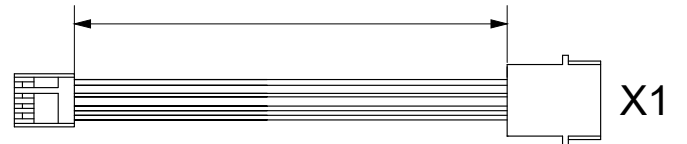
MOLEX CABLE

500mm

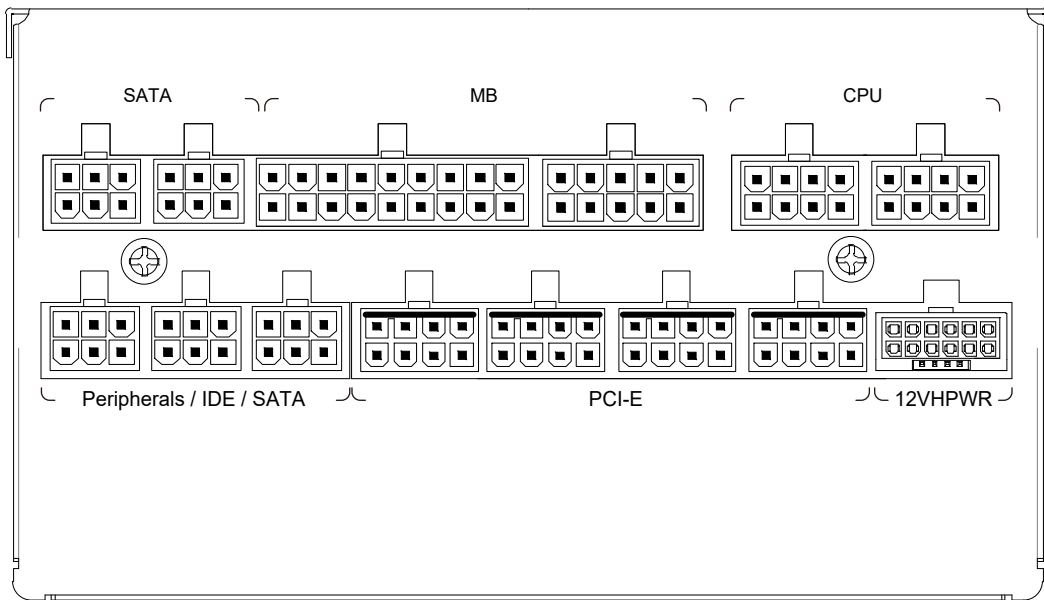


FDD CABLE

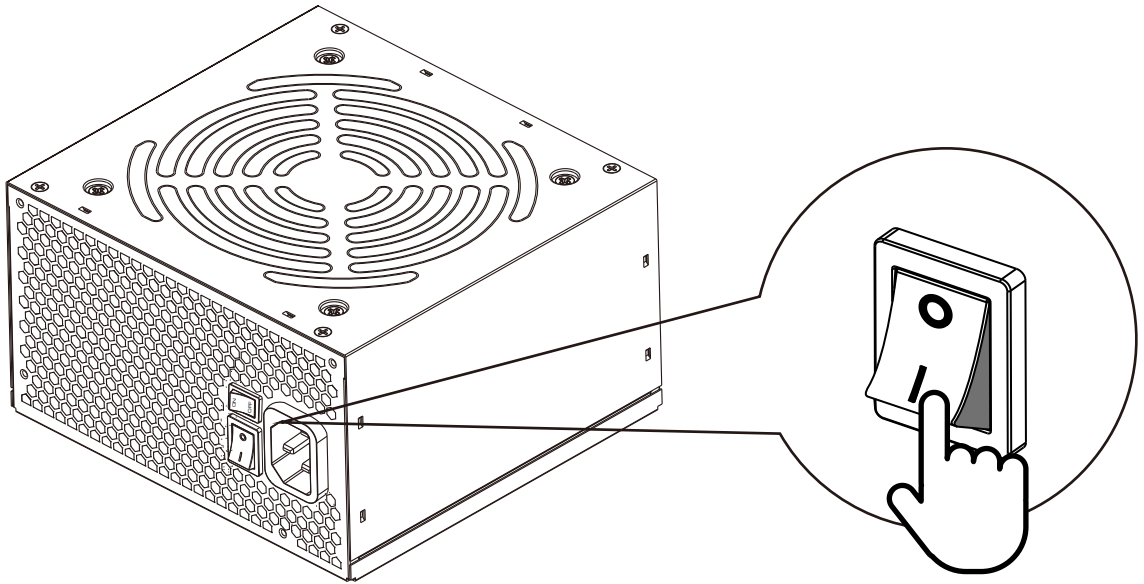
150mm



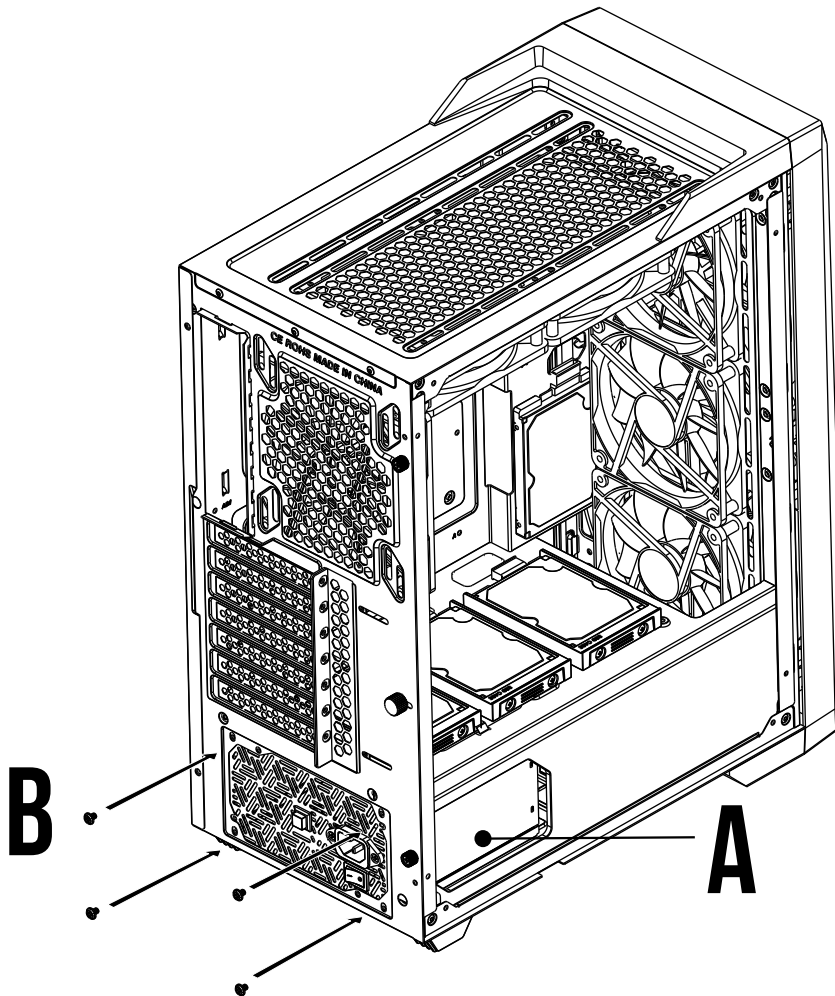
Connector Interface



1 Turn off the PSU before installing by pushing I/O switch to "O" position.

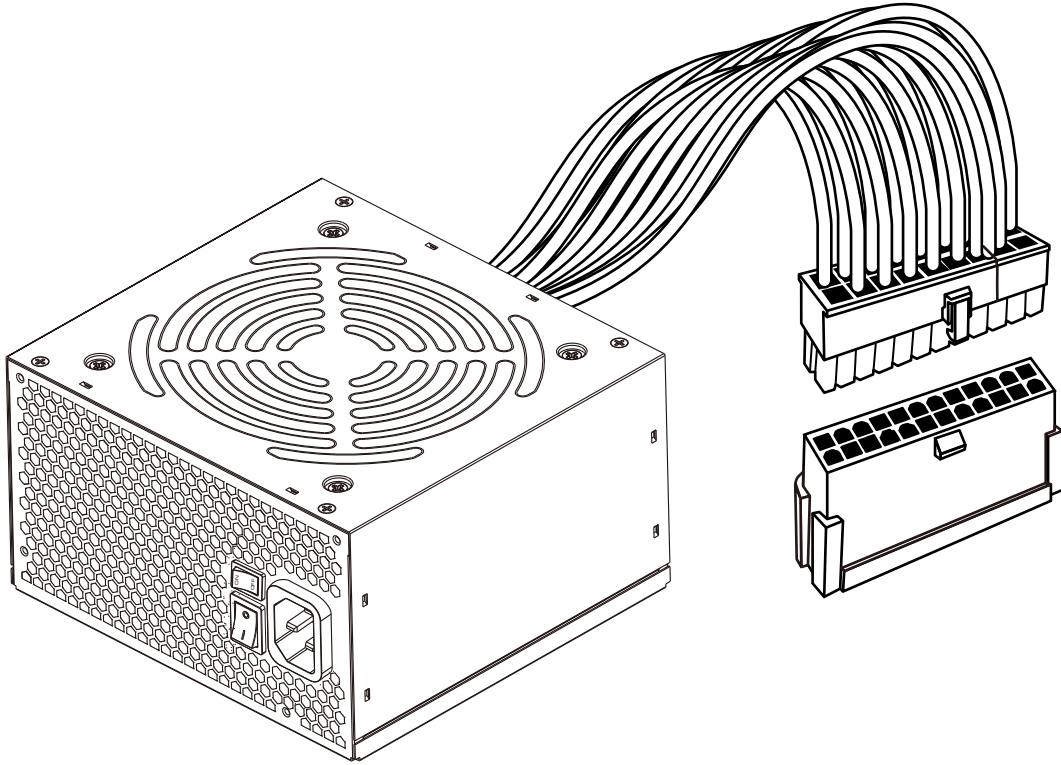


2

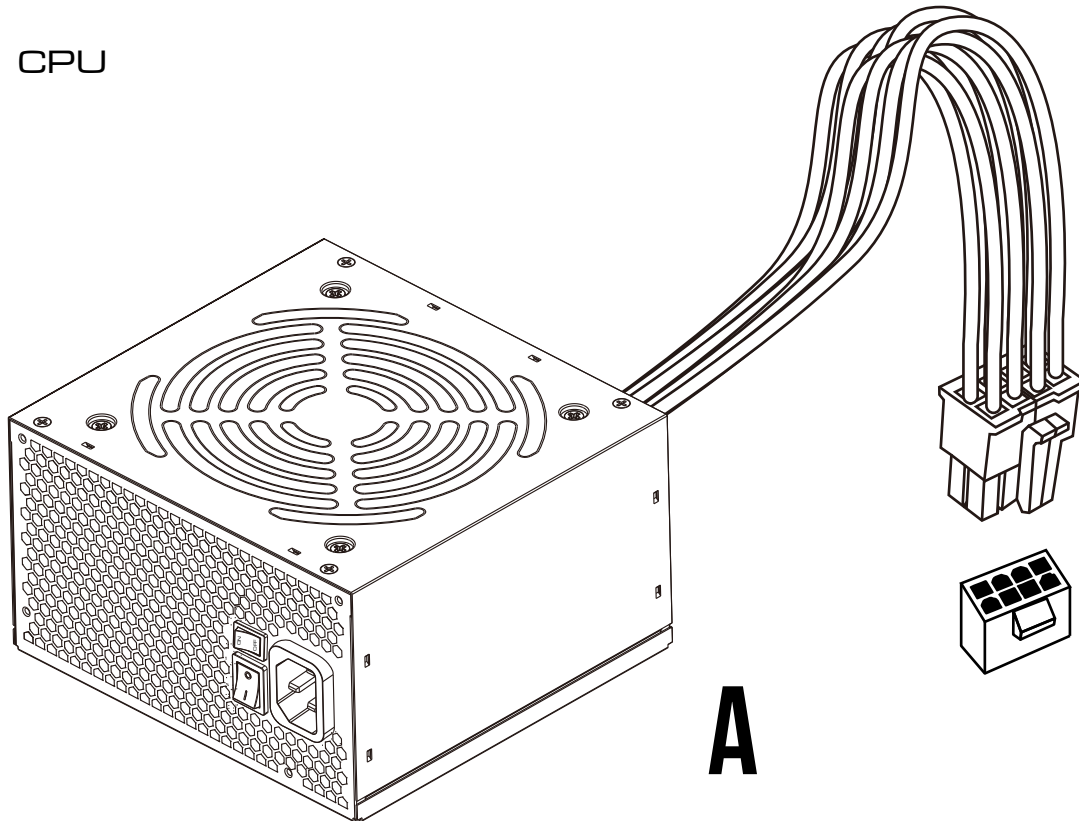


3 Motherboard

A

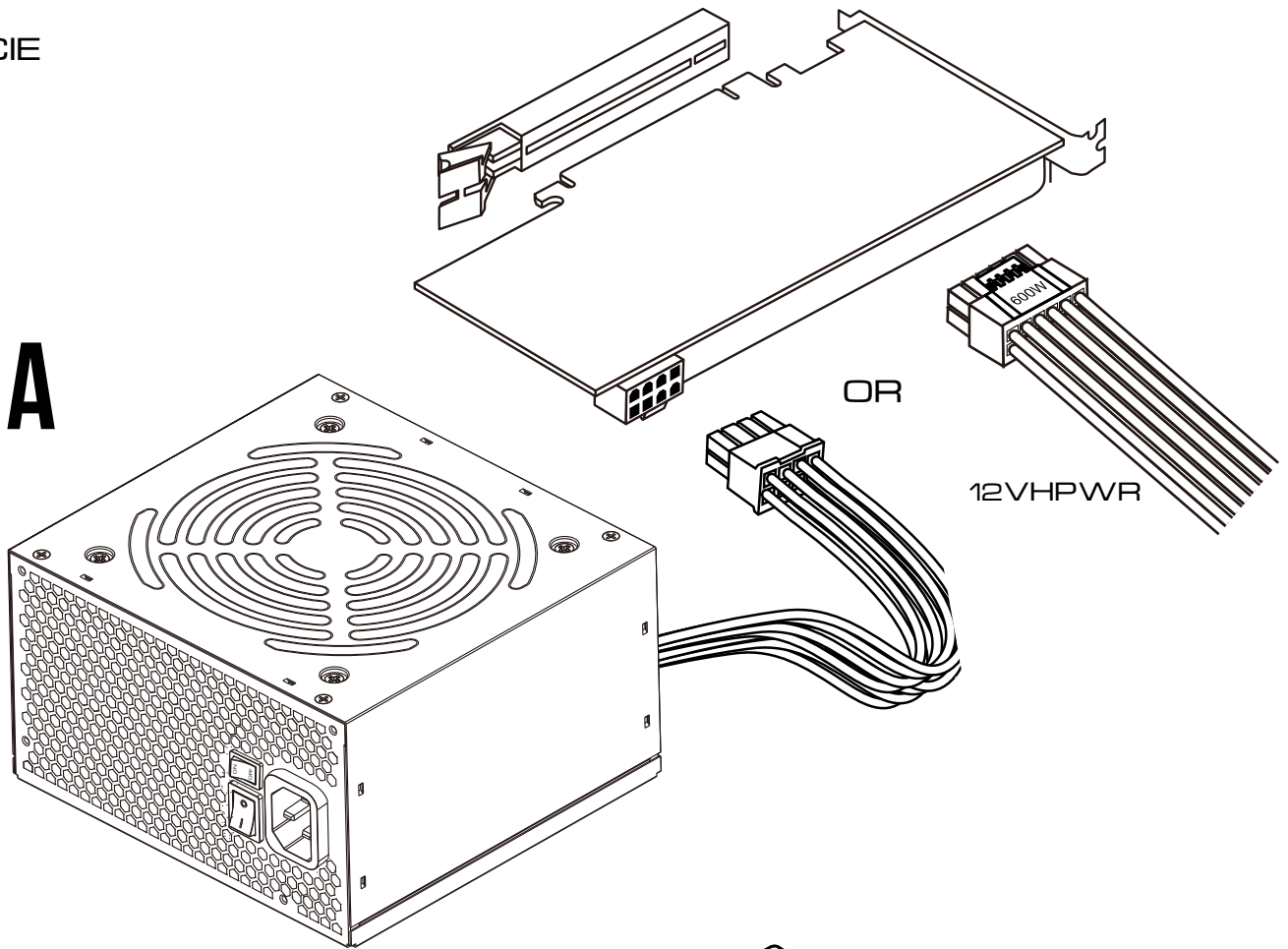


4 CPU

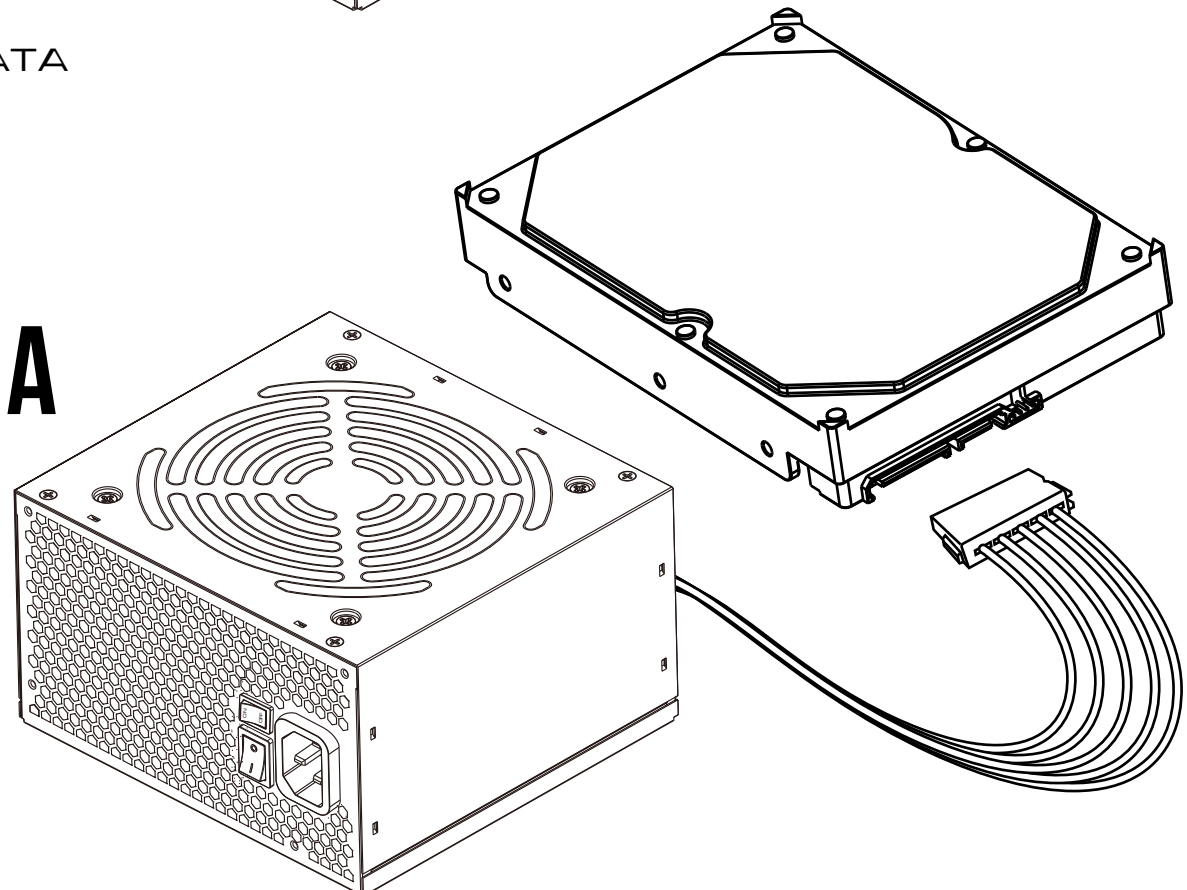


A

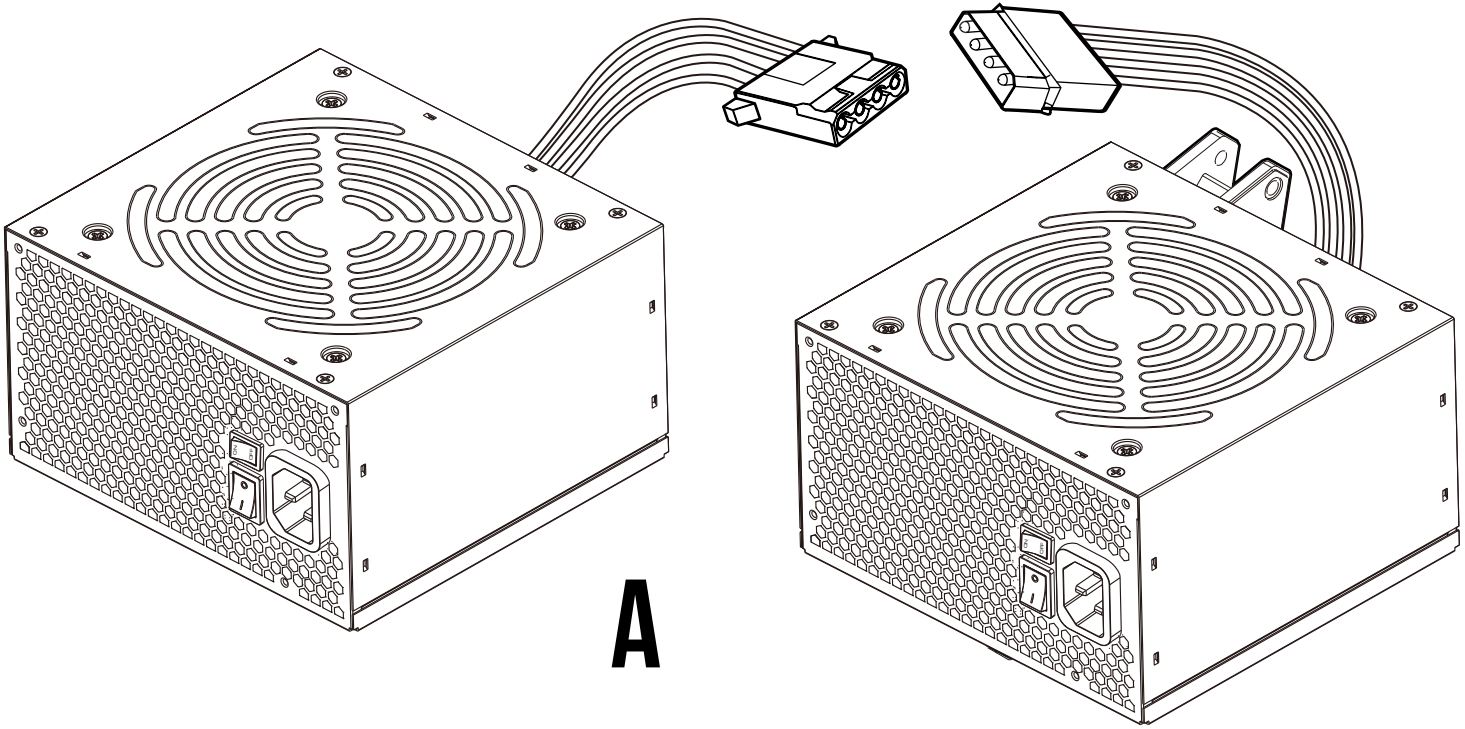
5 PCIE



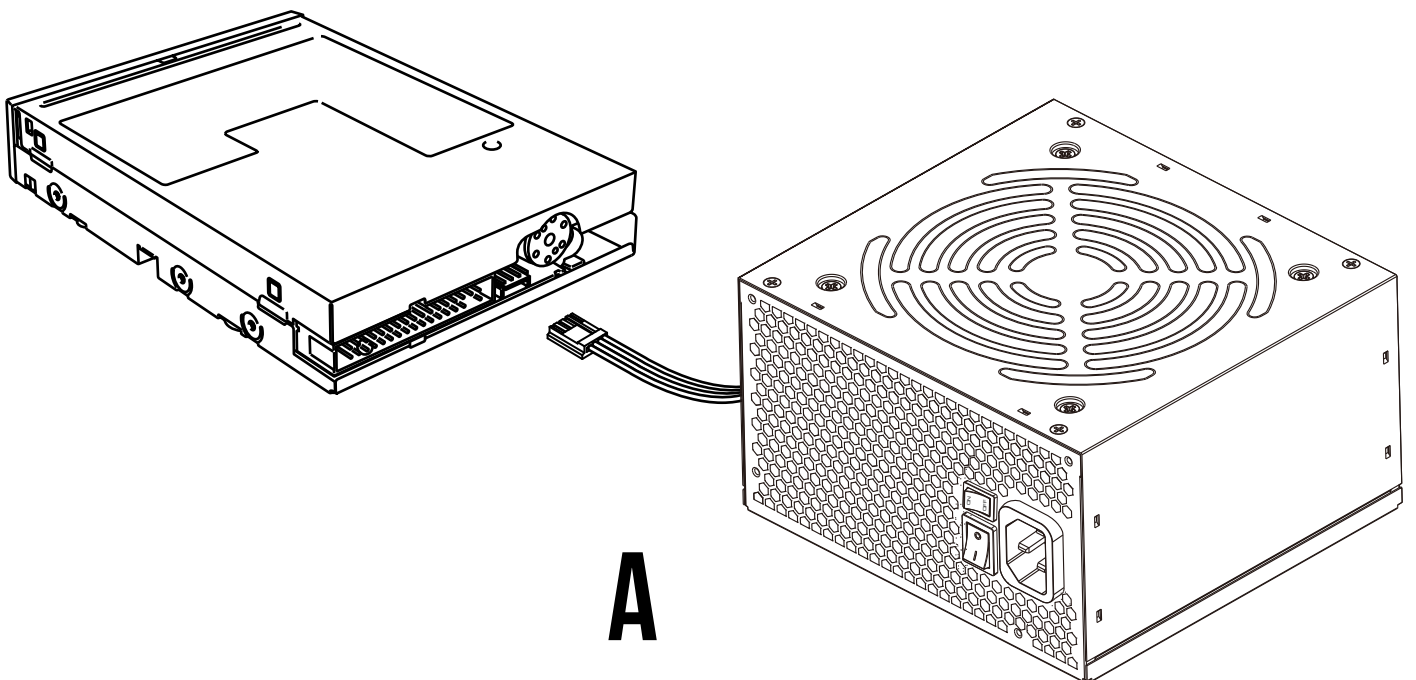
6 SATA



7 Molex

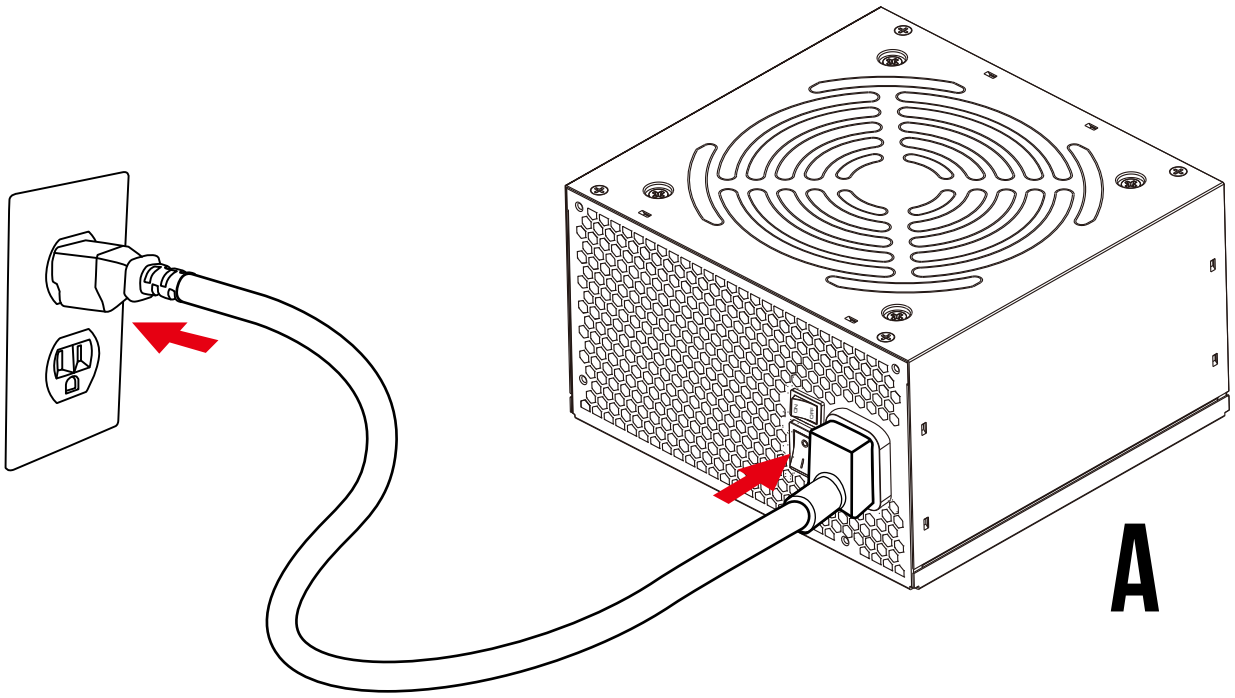


8 FDD



9

Plug in the AC power cord.



10

Turn on the PSU after installing by pushing I/O switch to "I" position.

