

READ BEFORE USE

Visit [www.hamiltonbeach.in](http://www.hamiltonbeach.in) for our complete line of products and Use and Care Guides – as well as delicious recipes, tips, and other helpful information!

Questions?  
Please call us – our friendly associates are ready to help.  
1.800.42.555.43

**Hamilton  
Beach®**

## *The Scoop 2-Way Brewer*



# IMPORTANT SAFEGUARDS

When using electrical appliances, basic safety precautions should always be followed to reduce the risk of fire, electric shock, and/or injury to persons, including the following:

1. Read all instructions.
2. This appliance is intended to be used in household and similar applications such as: staff kitchen areas in shops, offices, and other working environments; farm houses; by clients in hotels, motels, and other residential type environments; bed and breakfast-type environments.
3. Do not touch hot surfaces. Use handles or knobs. Care must be taken, as burns can occur from touching hot parts or from spilled, hot liquid.
4. To protect against electric shock, do not place cord, plug, or coffeemaker in water or other liquid.
5. This appliance can be used by children aged from 8 years and above and persons with reduced physical, sensory, or mental capabilities or lack of experience and knowledge if they have been given supervision or instruction concerning use of the appliance in a safe way and understand the hazards involved. Children shall not play with the appliance. Cleaning and user maintenance shall not be made by children without supervision.
6. Close supervision is necessary when any appliance is used by or near children.
7. Unplug from outlet when the coffeemaker is not in use and before cleaning. Allow to cool before putting on or taking off parts and before cleaning the appliance.
8. Coffeemaker must be operated on a flat surface away from the edge of counter to prevent accidental tipping.
9. Do not operate any appliance with a damaged supply cord, or after the appliance malfunctions or has been damaged in any manner. Supply cord replacement and repairs must be conducted by the manufacturer, its service agent, or similarly qualified persons in order to avoid a hazard.
10. The use of accessory attachments not recommended by the appliance manufacturer may cause injuries.
11. Do not use outdoors.
12. Do not let cord hang over edge of table or counter or touch hot surfaces, including stove.
13. Do not place on or near a hot gas or electric burner, or in a heated oven.
14. Do not use appliance for other than intended use.
15. **WARNING** To reduce the risk of fire or electric shock, do not remove the bottom cover of the coffeemaker. There are no user-serviceable parts inside. Repair should be done by authorized service personnel only.

## SAVE THESE INSTRUCTIONS!

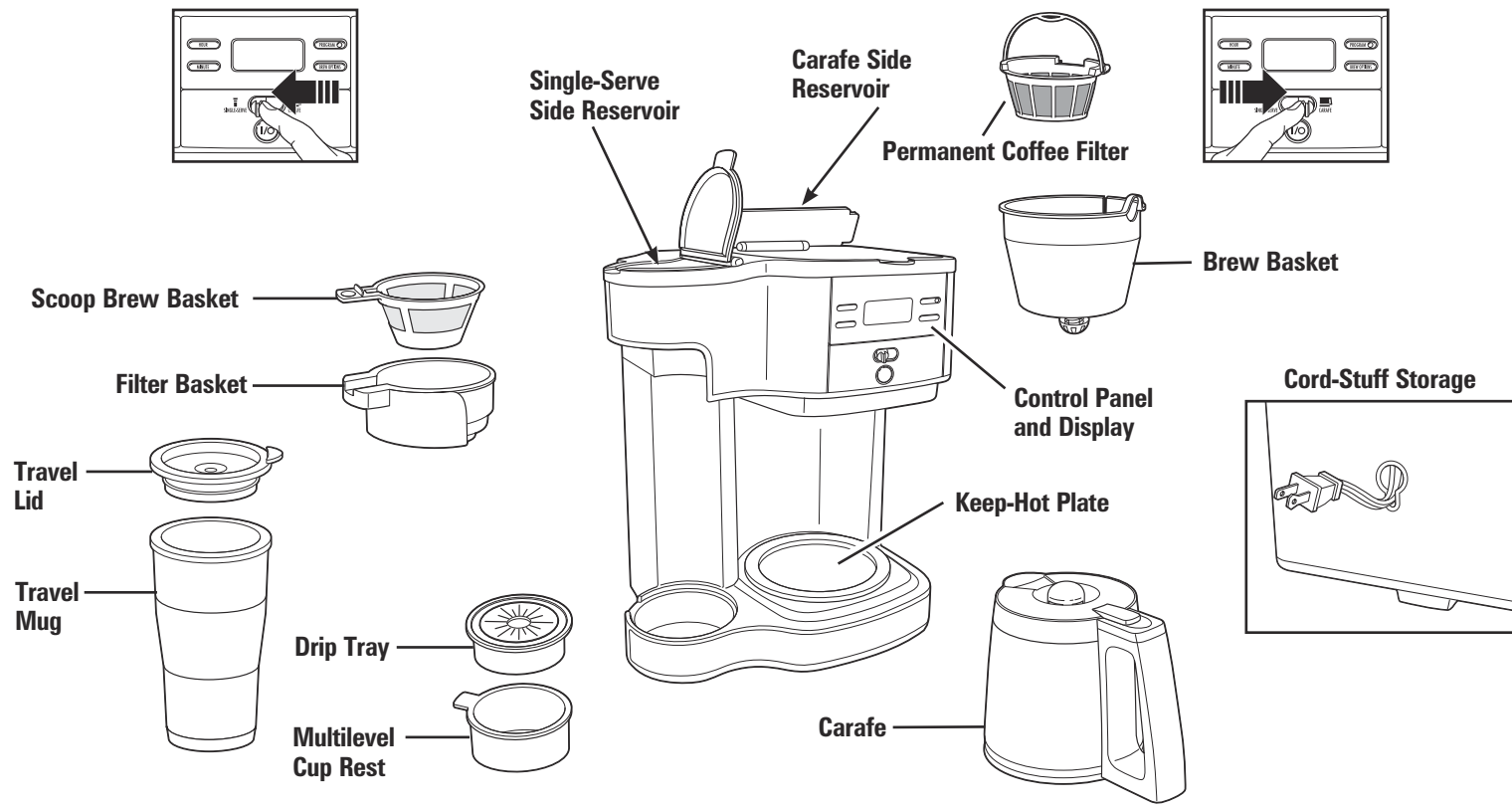
### Other Consumer Safety Information

To avoid an electrical circuit overload, do not use another high-wattage appliance on the same circuit with this appliance.

**NOTE:** For best results, allow the coffeemaker to cool for at least one minute between brewing cycles.

# Single-Serve Side Parts and Features

# Carafe Side Parts and Features



# How to Use Single-Serve Side

**AUTOMATIC SHUTOFF:** The coffeemaker will automatically shut off after brew cycle is complete.

## NOTES:

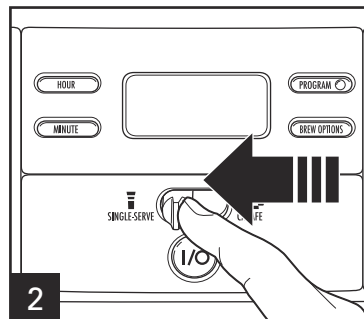
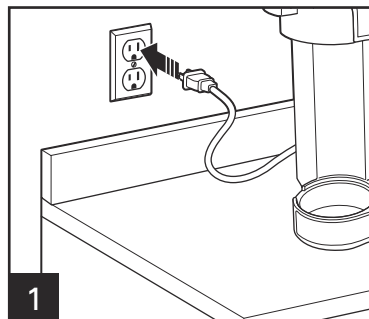
- The unit will only brew on one side at a time.
- To avoid overflow, use slightly less grounds when brewing decaf or flavored coffees.
- For Hotter Coffee: Rinse the travel mug with warm water before brewing; then replace travel mug lid. Brew directly into the travel mug with travel mug lid in place.

## **⚠ WARNING** Burn Hazard.

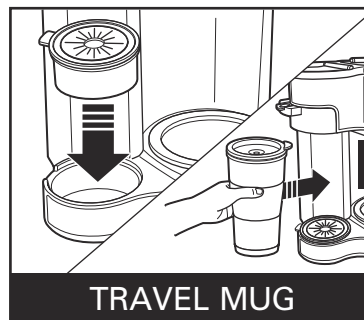
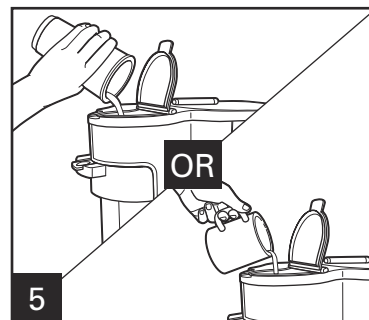
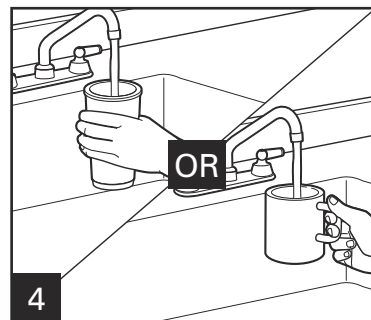
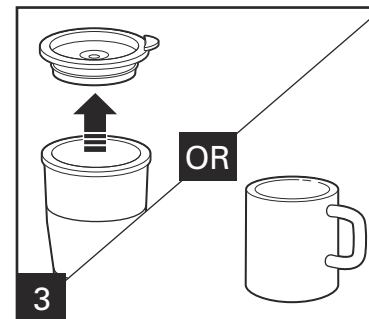
To avoid contact with hot coffee or water:

- Do not use more than 14 ounces (410 ml) of water.
- Fill single-serve reservoir with mug or cup into which the coffee will be brewed.

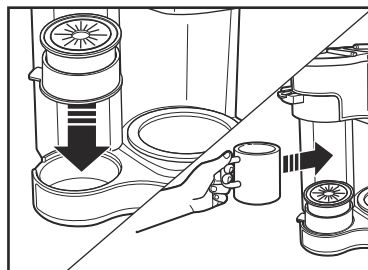
- Fully insert mug or cup under filter basket.



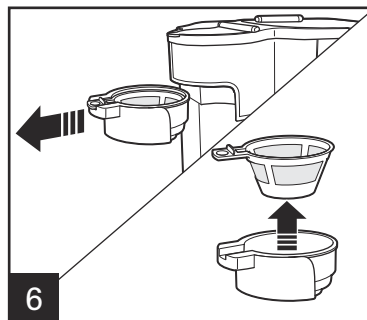
Push lever left to select Single-Serve.



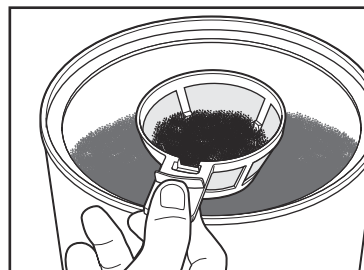
## How to Use Single-Serve Side (cont.)



REGULAR MUG



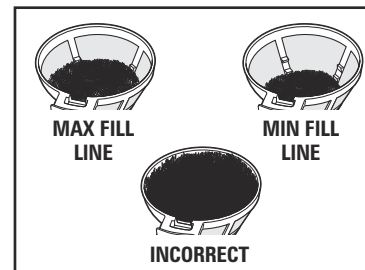
6



7A-1 – GROUND

For regular coffee, use a maximum of two level table-spoons of grounds. To avoid overflow, use slightly less grounds when brewing decaf or flavored coffees.

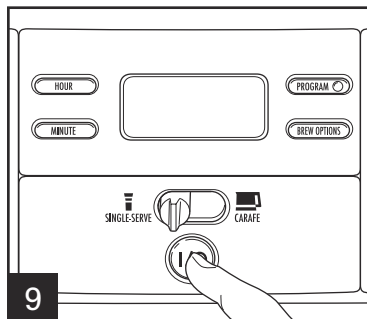
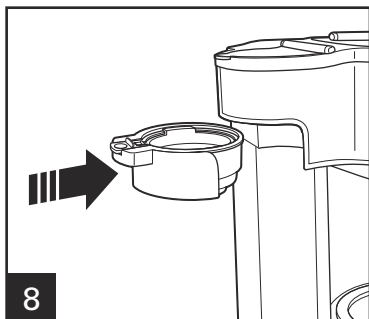
**WARNING!** Keep ground coffee below MAX fill line to prevent overflow.



7A-2 – GROUND

Single-serve brew basket has two markings: the lower level marking if making 8 oz. (250 ml) of coffee, and the higher level mark if making 14 oz. (410 ml) of coffee. **DO NOT** fill scoop to top or this will cause overflow.

## How to Use Single-Serve Side (cont.)

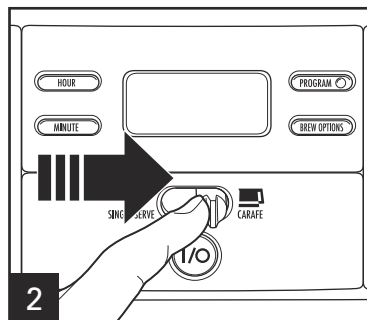
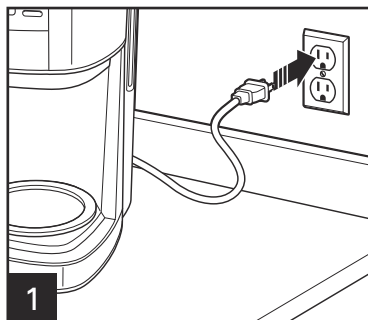


Press **I/O (ON/OFF)** button to begin the flow of coffee. Coffeemaker will shut off when brew cycle is complete. To stop flow of coffee midcycle, press **I/O (ON/OFF)** button.

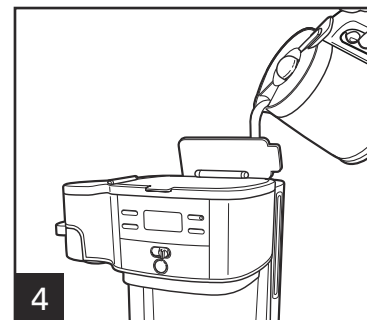
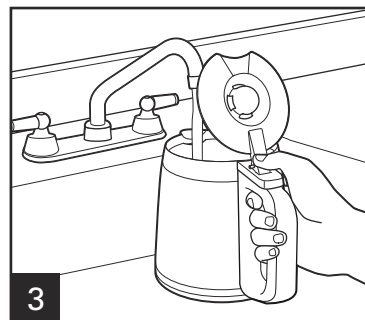
# How to Use Carafe Side

**AUTOMATIC SHUTOFF:** The coffeemaker will automatically shut off 2 hours after brew cycle is complete.

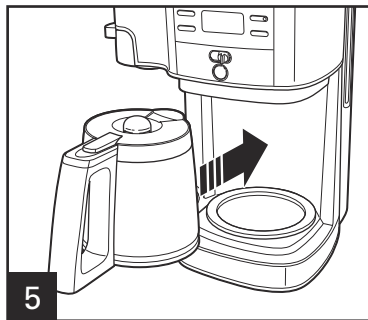
**NOTE:** The unit will only brew on one side at a time.



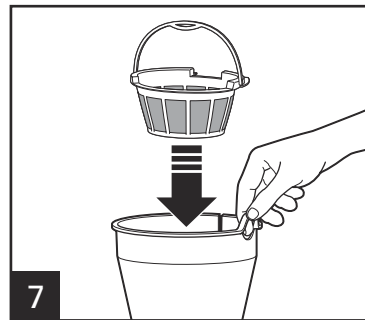
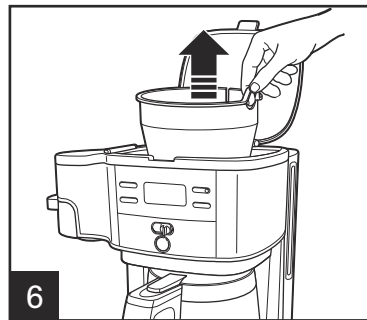
Push lever right to select Carafe.



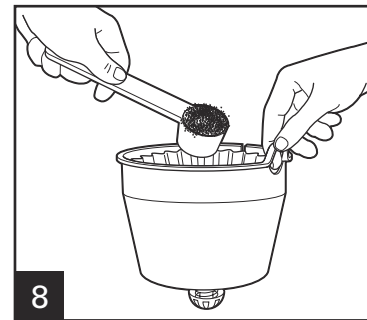
Lift lid and pour water from carafe into reservoir.  
**NOTE:** Do not fill past the 12-cup mark (60 ounces [1.8 L]).



Place carafe, with carafe lid attached, on keep-hot plate.

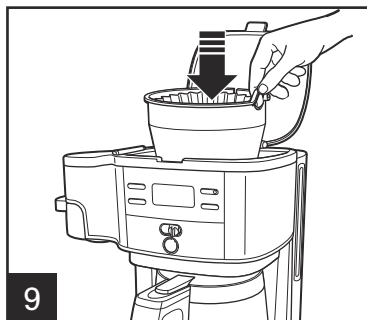


Place a permanent filter in brew basket. A cupcake-style paper filter may also be used.



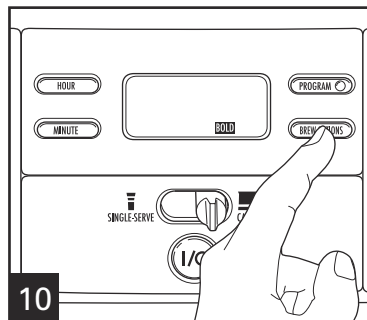
For each cup of coffee being made, place one level tablespoon (15 ml) of coffee into filter.

## How to Use Carafe Side (cont.)



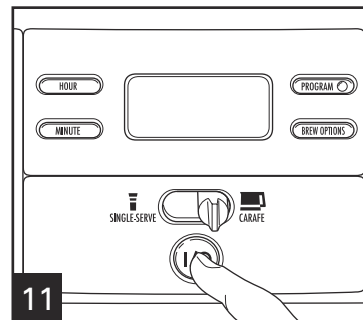
9

Place brew basket in brew basket well. Ensure brew basket is fully seated.



10

For enhanced full/strong-flavored coffee, press **BREW OPTIONS** button until **BOLD** is displayed.



11

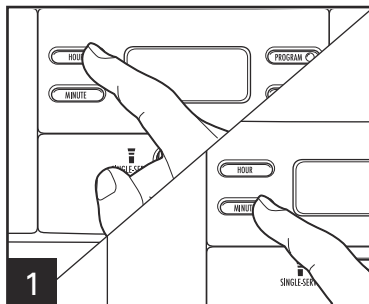
Press **I/O (ON/OFF)** button to start. Press **I/O (ON/OFF)** button again to turn off.

**NOTE:** If the coffeemaker is not turned off manually, it will automatically shut off in 2 hours.

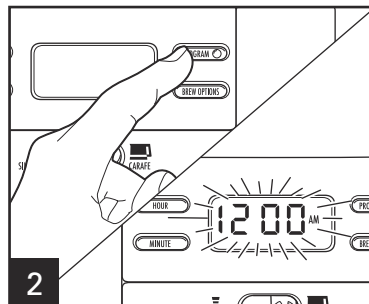
**NOTE:** **BOLD** mode will require additional time to complete a brewing cycle. If Brew Option is not selected, the coffeemaker will automatically brew on the regular/default setting.

# Programming *(For Either the Single-Serve OR Carafe Side)*

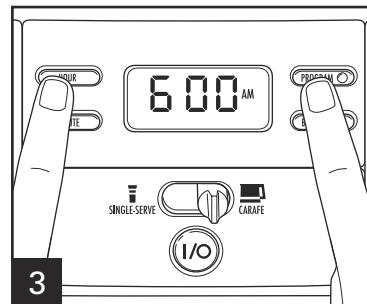
**NOTE:** The unit will only brew on one side at a time.



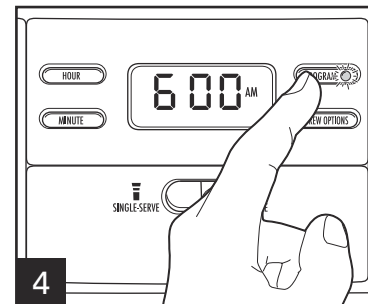
Press **HOUR** and then **MINUTE** to set clock.



Hold **PROGRAM** until clock flashes.



Continue holding **PROGRAM** until the desired brewing start time is reached, and then release **PROGRAM** button.



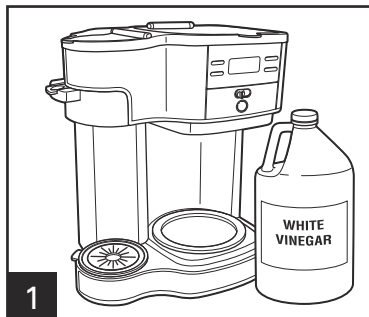
Press **PROGRAM** to activate automatic brewing. A green LED will illuminate to indicate the unit is programmed.

## Tips for Best-Tasting Coffee

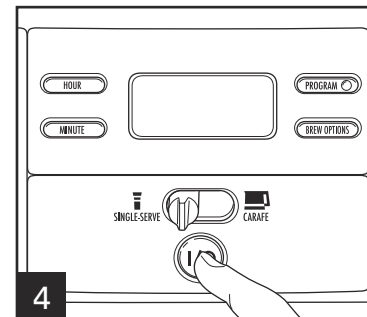
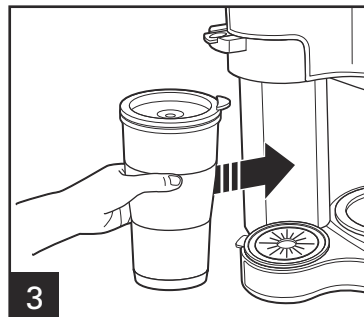
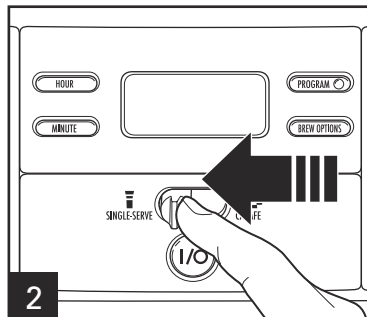
- All coffees are made from either arabica beans or robusta beans, or some combination of both. Arabica beans are slightly more expensive, but tend to produce better-tasting coffee.
- Ground coffee will become stale much faster than whole beans. If buying preground coffee, choose a package with the latest expiration date or a smaller quantity.
- If grinding whole beans, set your coffee grinder on a fine/medium grind. This will yield the best-tasting grounds. Try to use freshly ground coffee within about a week of grinding.
- Using a water filter, filtered water, or bottled water will yield better-tasting coffee than tap water.
- Use approximately 1 tablespoon of grounds for each cup of coffee being made. To avoid overflow, use slightly less grounds (3/4 tablespoon [11 ml]) when brewing decaf or flavored coffees. Also, be aware that using coffee that is ground too finely may also cause the filter basket to overflow.
- Make sure your coffeemaker is clean. See "Care and Cleaning" sections.

# Care and Cleaning – Single-Serve Side

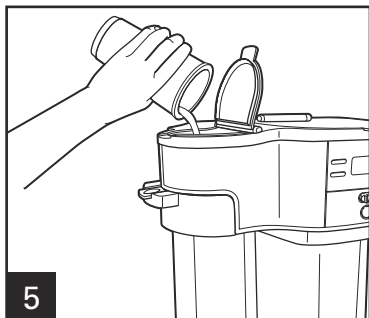
All coffeemakers should be cleaned at least once a month (once a week for areas with hard water).



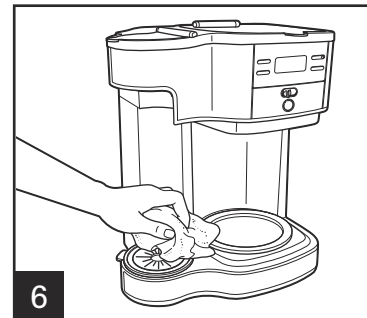
Pour 1/2 cup (125 ml) of plain white vinegar and 1/2 cup (125 ml) of cold water into single-serve side reservoir.



Press **I** (ON) button. Press **O** (OFF) button after 30 seconds and wait 30 minutes. Press **I** (ON) button. Press **O** (OFF) button when finished.



Run 2–3 more brew cycles with **CLEAN WATER** only. Allow to cool between cycles.

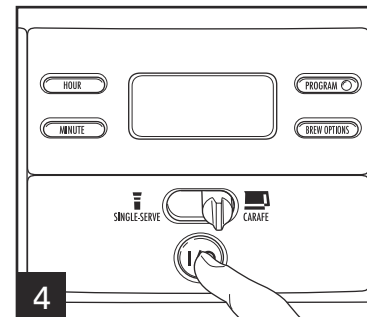
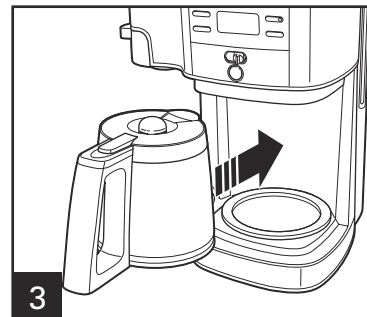
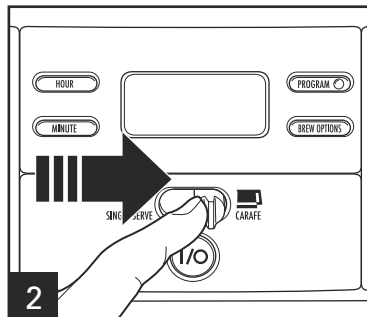


# Care and Cleaning – Carafe Side

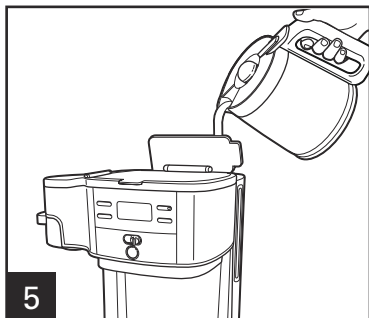
All coffeemakers should be cleaned at least once a month (once a week for areas with hard water).



Pour 1 pint (2 cups/500 ml) vinegar into carafe side reservoir.



Press **I (ON)** button. Press **O (OFF)** button after 30 seconds and wait 30 minutes. Press **I (ON)** button. Press **O (OFF)** button when finished.



Run 2–3 more brew cycles with **CLEAN WATER** only. Allow to cool between cycles.



# Troubleshooting *(Single-Serve Side)*

## PROBLEM

## PROBABLE CAUSE

Weak coffee.

- Not enough ground coffee used. See “How to Use Single-Serve Side.”

Coffee overflows from brew basket, travel mug, or regular mug.

- Excessive amount of water in single-serve reservoir. Use travel mug or mug into which coffee will be brewed to fill reservoir. Use slightly less grounds when brewing decaffeinated or flavored coffees. Set coffee grinder to automatic drip grind.

Coffee tastes bad.

- Coffeemaker needs cleaning.
- Coffee ground too coarsely or too finely. Set coffee grinder to automatic drip grind.
- Poor coffee quality and freshness.
- Poor water quality (use filtered or bottled water).

# Troubleshooting *(Carafe Side)*

## PROBLEM

## PROBABLE CAUSE

Brew basket overflows or coffee brews slowly.

- Excessive amounts of ground coffee.
- Decaffeinated and/or coffee ground too finely can cause overflow. Set coffee grinder to automatic drip grind and use slightly less grounds.
- Coffeemaker needs cleaning.  
**If using a paper filter:**
  - Coffee grounds between paper filter and brew basket.
  - Paper filter not open and in proper position.
  - Rinse brew basket before inserting paper filter so the edges will remain pressed against the sides of the basket.
  - Poor-quality paper filter.

Coffee leaks onto base.

- Carafe removed from keep-hot plate for more than 20 seconds during the brewing cycle.

Coffee tastes bad.

- Coffeemaker needs cleaning.
- Coffee ground too coarsely or too finely. Set coffee grinder to automatic drip grind.
- Coffee-to-water ratio unbalanced. Adjust for personal preference.
- Poor coffee quality and freshness.
- Poor water quality (use filtered or bottled water).

# Troubleshooting *(Carafe Side) (cont.)*

## PROBLEM

## PROBABLE CAUSE

Coffee sediment in cup.

- Use a high-quality, basket-style paper filter instead of permanent coffee filter.

Coffee not brewing or unit will not turn on.

- Carafe not positioned on keep-hot plate.
- Water reservoir is empty.
- Unit is unplugged.
- Power outage.
- Power surge. Unplug; then plug the unit back in.
- Clock requires reset after power outage.

Longer than normal brew time.

- Mineral deposits can build up in the pump of your coffeemaker. Periodic cleaning of the inside of the unit is recommended. More frequent cleaning may be necessary, depending on the hardness of your water. See "Care and Cleaning – Carafe Side" section.
- NOTE:** Do not disassemble the unit.



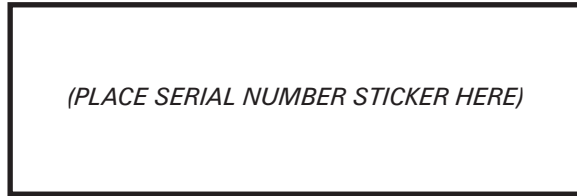
Notes

# Limited Warranty

CUSTOMER NAME: \_\_\_\_\_  
ADDRESS: \_\_\_\_\_  
PHONE NUMBER: \_\_\_\_\_  
MODEL NUMBER: \_\_\_\_\_  
DATE OF PURCHASE: \_\_\_\_\_ BILL NUMBER: \_\_\_\_\_

NAME OF DEALER: \_\_\_\_\_  
DEALER'S SIGNATURE: \_\_\_\_\_  
CUSTOMER'S SIGNATURE: \_\_\_\_\_  
STAMP:

SERIAL NUMBER:



## EXPIRY DATE:

SHOULD ANY DEFECT IN MATERIAL OR WORKMANSHIP DEVELOP IN THE PRODUCT,

- CALL 1.800.42.555.43 OR VISIT [www.hamiltonbeach.in](http://www.hamiltonbeach.in) FOR SERVICE CENTER LOCATIONS OR
- KINDLY TAKE THE PRODUCT TO THE PLACE OF PURCHASE OR
- CALL 1.800.42.555.43 FOR SERVICE AT HOME<sup>1</sup>

THE PRODUCT OR ANY COMPONENT OF PRODUCT FOUND TO BE DEFECTIVE WILL BE REPAIRED OR REPLACED FREE OF CHARGE DURING THE WARRANTY PERIOD OF 2 YEARS, FROM THE DATE OF PURCHASE. IF THE PRODUCT OR COMPONENT IS NO LONGER AVAILABLE, WE WILL REPLACE WITH A SIMILAR ONE OF EQUAL OR GREATER VALUE.

<sup>1</sup>At-home service is limited to certain geographical areas in India; please call 1.800.42.555.43 for further details.

840231300

## VALIDITY:

- THIS WARRANTY IS ISSUED SUBJECT TO THE PRODUCTION AND VERIFICATION OF THE ORIGINAL PROOF OF PURCHASE.
- THIS WARRANTY IS VALID IN INDIA ONLY AND IF PRODUCT HAS BEEN PURCHASED FROM AN AUTHORIZED HAMILTON BEACH DEALER.
- THIS WARRANTY DOES NOT COVER GLASS, FILTERS, WEAR FROM NORMAL USE, USE NOT IN CONFORMITY WITH THE PRINTED DIRECTIONS, OR DAMAGE TO THE PRODUCT RESULTING FROM ACCIDENT, ALTERATION, ABUSE, OR MISUSE. THIS WARRANTY ONLY EXTENDS TO THE ORIGINAL CONSUMER PURCHASER OR THE GIFT RECIPIENT.

## THE WARRANTY WILL BE CONSIDERED INVALID IF:

- PRODUCT HAS NOT BEEN USED PER THE MANUFACTURER'S OPERATING INSTRUCTIONS.
- PRODUCT HAS BEEN SERVICED, REPAIRED, OPENED, OR TAMPERED WITH BY ANY UNAUTHORIZED PERSON.
- UNAUTHORIZED CORRECTION/ALTERATIONS IN INVOICE COPY/ INSTALLATION NOTE/SERIAL NUMBER OF PRODUCT.
- INCOMPLETE WARRANTY CARD AFTER PURCHASE.
- ANY ATTACHMENTS NOT RECOMMENDED BY THE MANUFACTURER HAVE BEEN USED ON THE PRODUCT.
- PRODUCT IS USED FOR OTHER THAN SINGLE-FAMILY HOUSEHOLD USE OR SUBJECT TO ANY VOLTAGE AND WAVEFORM OTHER THAN 220-240V~/ 50Hz.

7/13