

P0801981-00

**greenworks**

1300402

EN 2-IN-1 POLESAW/POLE HEDGE TRIMMER

OPERATOR MANUAL

FR SCIE À LONG MANCHE/TAILLE-HAIE SUR TIGE

MANUEL OPÉRATEUR



CKF301

www.greenworkstools.com

210

145

SCALE: A5

说明书技术要求:

1. 材质要求: 60g双胶纸, 36P;
2. 说明书为单色印刷, 色块全部在外侧;
3. 骑马钉装订, 裁切均匀、无连页;
4. 说明书可封样、要求无色差、无污点。
5. 料件需符合格力博HSF文件(编号: GLB-CGR-146) 里关于环保和有害物质的具体要求。

版本号

B

描 复

					说明书				常州格力博集团	
									GW 40V 8" 杆锯杆修二合一	
日期	设计	刘小娟	标准化	宋提提	阶段标记	视角标记	重量	比例	1306802CA	
	校对	张君	审定		S	A	B			
	审核	周艳	批准	李海平					ERP号	P0801981-00
	工艺		日期	2019.12	共 1 张		第 1 张			



# greenworks

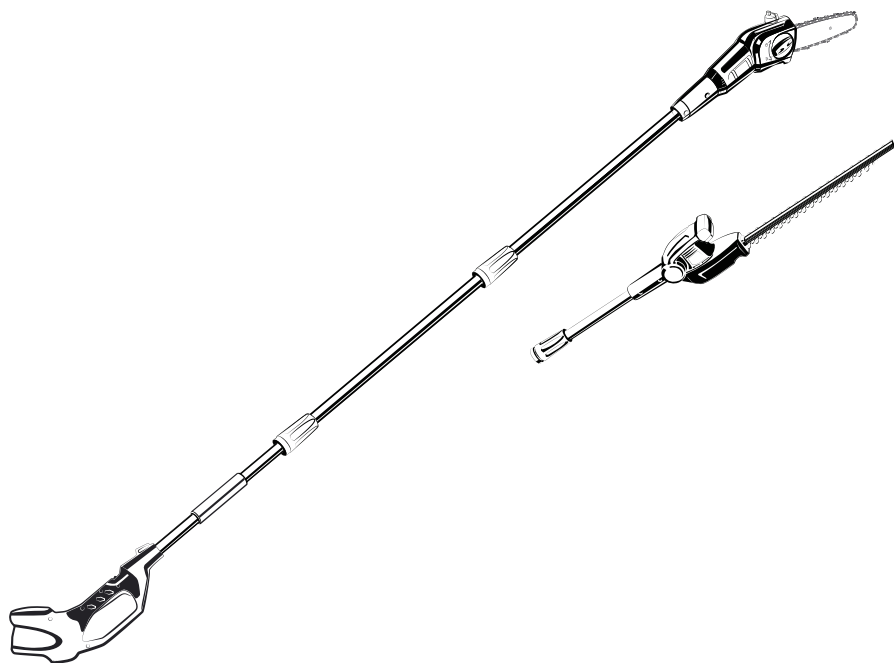
1300402

EN 2-IN-1 POLESAW/POLE HEDGE TRIMMER

OPERATOR MANUAL

FR SCIE À LONG MANCHE/TAILLE-HAIE SUR TIGE

MANUEL OPÉRATEUR



**CKF301**

[www.greenworkstools.com](http://www.greenworkstools.com)



<b>1</b>	<b>Description.....</b>	<b>4</b>	11.1	Unpack the machine.....	8
1.1	Purpose.....	4	<b>12</b>	<b>Operation.....</b>	<b>11</b>
1.2	Overview.....	4	12.1	Examine the chain oil.....	11
<b>2</b>	<b>General power tool safety</b>		12.2	Start the machine.....	11
	<b>warnings.....</b>	<b>4</b>	12.3	Stop the machine.....	11
2.1	Work area safety.....	4	12.4	Delimiting a tree.....	11
2.2	Electrical safety.....	4	12.5	Limb tree branches.....	11
2.3	Personal safety.....	4	12.6	Adjust the trimmer head angle.....	11
2.4	Power tool use and care.....	4	12.7	Operation tips (Pole hedge trimmer).....	12
2.5	Battery tool use and care.....	5	<b>13</b>	<b>Maintenance.....</b>	<b>12</b>
2.6	Service.....	5	13.1	Adjust the chain tension.....	12
<b>3</b>	<b>General safety rules.....</b>	<b>5</b>	13.2	Sharpen the cutters.....	12
<b>4</b>	<b>Hedge trimmer safety warnings.....</b>	<b>6</b>	13.3	Guide bar maintenance.....	13
<b>5</b>	<b>Child safety.....</b>	<b>6</b>	13.4	Clean the machine.....	13
<b>6</b>	<b>Symbols on the product.....</b>	<b>7</b>	13.5	Lubricate the blade (pole hedge trimmer).....	13
<b>7</b>	<b>Symbols on the product.....</b>	<b>7</b>	<b>14</b>	<b>Store the machine.....</b>	<b>14</b>
<b>8</b>	<b>Risk levels.....</b>	<b>7</b>	<b>15</b>	<b>Troubleshooting.....</b>	<b>14</b>
<b>9</b>	<b>Environmentally safe battery</b>		<b>16</b>	<b>Troubleshooting.....</b>	<b>14</b>
	<b>disposal.....</b>	<b>8</b>	<b>17</b>	<b>Technical data.....</b>	<b>15</b>
<b>10</b>	<b>Proposition 65.....</b>	<b>8</b>	<b>18</b>	<b>Limited warranty.....</b>	<b>15</b>
<b>11</b>	<b>Installation.....</b>	<b>8</b>	<b>19</b>	<b>Exploded view.....</b>	<b>16</b>
			<b>20</b>	<b>Exploded view.....</b>	<b>17</b>

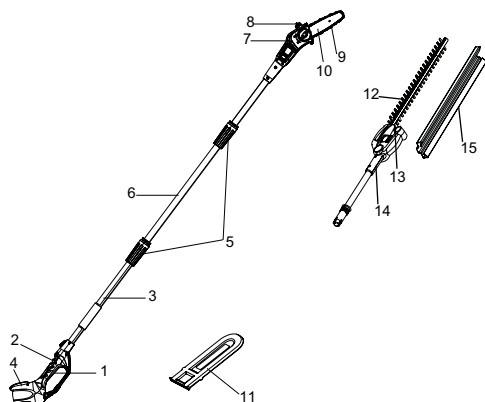
## 1 DESCRIPTION

### 1.1 PURPOSE

The polesaw is intended for cutting the branches of standing trees but not intends for cutting woods as normal chainsaw.

This pole hedge trimmer is intended for cutting and trimming hedges and bushes in domestic use.

### 1.2 OVERVIEW



- |                   |                       |
|-------------------|-----------------------|
| 1 Trigger         | 9 Chain               |
| 2 Lock-out button | 10 Bar                |
| 3 Pole            | 11 Scabbard           |
| 4 pole saw handle | 12 Blade              |
| 5 Collar          | 13 Pivoting button    |
| 6 Extension pole  | 14 Hedge trimmer head |
| 7 Guide bar cover | 15 Blade cover        |
| 8 Oil tank cap    |                       |

## 2 GENERAL POWER TOOL SAFETY WARNINGS

### ▲ WARNING

Do not operate near electrical power lines. The unit has not been designed to provide protection from electric shock in the event of contact with overhead electric lines, Consult local regulations for safe distances from overhead electric power lines and ensure that the operating position is safe and secure before operating the saw chain pole pruner.

### ▲ WARNING

Read all safety warnings and all instructions. Failure to follow the warnings and instructions may result in electric shock, fire and/or serious injury.

Save all warnings and instructions for future reference.

The term "power tool" in the warnings refers to your battery-operated (cordless) power tool.

### 2.1 WORK AREA SAFETY

- **Keep work area clean and well lit.** *Cluttered or dark areas invite accidents.*
- **Do not operate power tools in explosive atmospheres, such as in the presence of flammable liquids, gases or dust.** *Power tools create sparks which may ignite the dust or fumes.*
- **Keep children and bystanders away while operating a power tool.** *Distractions can cause you to lose control.*

### 2.2 ELECTRICAL SAFETY

- **Do not expose power tools to rain or wet conditions.** *Water entering a power tool will increase the risk of electric shock.*

### 2.3 PERSONAL SAFETY

- **Stay alert, watch what you are doing and use common sense when operating a power tool. Do not use a power tool while you are tired or under the influence of drugs, alcohol or medication.** *A lapse of attention while operating power tools may result in serious personal injury.*
- **Use personal protection. Always wear eye protection.** *Protective products such as dust mask, non-skid safety shoes, hard hat or hearing protection used appropriately will reduce personal injuries.*
- **Prevent unintentional starting. Ensure the switch is in the off position before connecting to power source and/or battery pack and when picking up or carrying the tool.** *Carrying power tools with your finger on the switch or energizing power tools that have the switch on invites accidents.*
- **Do not over-reach. Keep proper footing and balance at all times.** *This enables better control of the power tool in unexpected situations.*
- **Dress properly. Do not wear loose clothing or jewellery. Keep your hair, clothing and gloves away from moving parts.** *Loose clothes, jewellery or long hair can be caught in moving parts.*

### 2.4 POWER TOOL USE AND CARE

- **Do not force the power tool. Use the correct power tool for your application.** *The correct power tool will do the job better and safer at the rate for which it was designed.*
- **Do not use the power tool if the switch does not turn it on and off.** *Any power tool that cannot be controlled with the switch is dangerous and must be repaired.*
- **Disconnect the plug from the power source and/or the battery pack from the power tool before making any adjustments, changing accessories, or storing power**

*tools. Such preventive safety measures reduce the risk of starting the power tool accidentally.*

- **Store idle power tools out of the reach of children and do not allow persons unfamiliar with the power tool or these instructions to operate the power tool.** *Power tools are dangerous in the hands of untrained users.*
- **Maintain power tools. Check for misalignment or binding of moving parts, breakage of parts and any other condition that may affect the power tool's operation. If damaged, have the power tool repaired before use.** *Many accidents are caused by poorly maintained power tools.*
- **Keep cutting tools sharp and clean.** *Properly maintained cutting tools with sharp cutting edges are less likely to bind and are easier to control.*
- **Use the power tool, accessories and tool bits etc. in accordance with these instructions, taking into account the working conditions and the work to be performed.** *Use of the power tool for operations different from those intended could result in a hazardous situation.*

## 2.5 BATTERY TOOL USE AND CARE

- **Recharge only with the charger specified by the manufacturer.** *A charger that is suitable for one type of battery pack may create a risk of fire when used with another battery pack.*
- **Use power tools only with specifically designated battery packs.** *Use of any other battery packs may create a risk of injury and fire.*
- **When battery pack is not in use, keep it away from other metal objects like paper clips, coins, keys, nails, screws, or other small metal objects that can make a connection from one terminal to another.** *Shorting the battery terminals together may cause burns or fire.*
- **Under abusive conditions, liquid may be ejected from the battery; avoid contact. If contact accidentally occurs, flush with plenty of soap and water. If liquid contacts eyes, immediately seek medical help.** *Liquid ejected from the battery may cause irritation or burns.*

## 2.6 SERVICE

- **Have your power tool serviced by a qualified repair person using only identical replacement parts.** *This will ensure that the safety of the power tool is maintained.*

## 3 GENERAL SAFETY RULES

- **Avoid Dangerous Environment** – Don't use appliances in damp or wet locations.
- **Don't Use In Rain.**
- **Keep Children Away** – All visitors should be kept at a distance from work area.
- **Dress Properly** – Do not wear loose clothing or jewelry. They can be caught in moving parts. Use of rubber gloves and substantial footwear is recommended when working outdoors. Wear protective hair covering to contain long hair.

- **Use Safety Glasses** – Always use face or dust mask if operation is dusty.
- **Use Right Appliance** – Do not use appliance for any job except that for which it is intended.
- **Avoid Unintentional Starting** – Don't carry plugged-in appliance with finger on switch. Be sure switch is off when plugging in. Carrying the appliance with your finger on the switch or energizing appliance that have the switch on invites accidents.
- **Don't grasp the exposed cutting blades or cutting edges** when picking up or holding the appliance. (For grass shears and similar appliances only.)
- **Don't Force Appliance** – It will do the job better and with less likelihood of a risk of injury at the rate for which it was designed.
- **Don't Overreach** – Keep proper footing and balance at all times.
- **Stay Alert** – Watch what you are doing. Use common sense. Do not operate appliance when you are tired.
- **Disconnect Appliance** – Disconnect the appliance from the power supply when not in use, before servicing, when changing accessories such as blades, and the like.
- **Store Idle Appliances Indoors** – When not in use, appliances should be stored indoors in dry, and high or locked-up place – out of reach of children.
- **Maintain Appliance With Care** – Keep cutting edge sharp and clean for best performance and to reduce the risk of injury. Follow instructions for lubricating and changing accessories. Inspect appliance cord periodically, and if damaged, have it repaired by an authorized service facility. Inspect extension cords periodically and replace if damaged. Keep handles dry, clean, and free from oil and grease.
- **Check Damaged Parts** – Before further use of the appliance, a guard or other part that is damaged should be carefully checked to determine that it will operate properly and perform its intended function. Check for alignment of moving parts, binding of moving parts, breakage of parts, mounting, and any other condition that may affect its operation. A guard or other part that is damaged should be properly repaired or replaced by an authorized service center unless indicated elsewhere in this manual.
- **Keep all parts of the body away from the saw chain.** Do not remove cut material or hold material to be cut when blades are moving. Make sure the switch is off when clearing jammed material. Saw chain continues to move after the switch is turned off. A moment of inattention while operating the pole saw may result in serious personal injury.
- **Carry the pole saw by the handle with the saw chain stopped.** When transporting or storing the pole saw, always fit the saw chain device cover. Proper handling of the pole saw will reduce possible personal injury from the saw chain.
- **Hold the pole saw by insulated gripping surfaces only,** because the saw chain may contact hidden wiring or its own cord. A saw chain contacting a "live" wire may make

exposed metal parts of the pole saw "live" and could give the operator an electric shock.

- Keep cable away from cutting area. During operation the cable may be hidden in shrubs and can be accidentally cut by the saw chain.
- Do not use the pole saw in bad weather conditions, especially when there is a risk of lightning. This decreases the risk of being struck by lightning.
- To reduce the risk of electrocution, never use near any electrical power lines. Contact with or use near power lines may cause serious injury or electric shock resulting in death.
- Always use two hands when operating the pole saw. Hold the pole saw with both hands to avoid loss of control.
- Always use head protection when operating the pole saw overhead. Falling debris can result in serious personal injury.
- Prevent unintentional starting. Ensure the power switch is in the off-position before connecting to battery pack, picking up or carrying the appliance. Carrying the appliance with your finger on the power switch or energizing appliance that have the power switch on invites accidents.
- Make sure the power switch is off and the battery pack is removed before clearing jammed material, making adjustments, changing accessories, storing or servicing the appliance. Unexpected actuation of the appliance while clearing jammed material or servicing may result in serious personal injury.
- Recharge only with the charger specified by the manufacturer. A charger that is suitable for one type of battery pack may create a risk of fire when used with another battery pack.
- Use appliances only with specifically designated battery packs. Use of any other battery packs may create a risk of injury and fire.
- When battery pack is not in use, keep it away from other metal objects, like paper clips, coins, keys, nails, screws or other small metal objects, that can make a connection from one terminal to another. Shorting the battery terminals together may cause burns or a fire.
- Under abusive conditions, liquid may be ejected from the battery; avoid contact. If contact accidentally occurs, flush with water. If liquid contacts eyes, additionally seek medical help. Liquid ejected from the battery may cause irritation or burns.
- Do not use a battery pack or appliance that is damaged or modified. Damaged or modified batteries may exhibit unpredictable behavior resulting in fire, explosion or risk of injury.
- Do not expose a battery pack or appliance to fire or excessive temperature. Exposure to fire or temperature above 130°C may cause explosion. The temperature of 130°C can be replaced by the temperature of 265°F.
- Follow all charging instructions and do not charge the battery pack or appliance outside of the temperature range specified in the instructions. Charging improperly or at

temperatures outside of the specified range may damage the battery and increase the risk of fire.

- Have servicing performed by a qualified repair person using only identical replacement parts. This will ensure that the safety of the product is maintained.
- Do not modify or attempt to repair the appliance or the battery pack (as applicable) except as indicated in the instructions for use and care.

## 4 HEDGE TRIMMER SAFETY WARNINGS

- **Use both hands when operating the hedge trimmer. Using one hand could cause loss of control and result in serious personal injury.**
- **Keep all parts of the body away from the cutter blade. Do not remove cut material or hold material to be cut when blades are moving. Make sure the switch is off when clearing jammed material. Blades coast after turn off. A moment of inattention while operating the hedge trimmer may result in serious personal injury.**
- **Carry the hedge trimmer by the handle with the cutter blade stopped. Proper handling of the hedge trimmer will reduce possible personal injury from the cutter blades.**
- **DANGER – Keep hands away from blade. Contact with blade will result in serious personal injury.**
- **Hold the power tool by insulated gripping surfaces only, because the cutter blade may contact hidden wiring. Cutter blades contacting a "live" wire may make exposed metal parts of the power tool "live" and could give the operator an electric shock.**
- **Keep cable away from cutting area. During operation the cable may be hidden in shrubs and can be accidentally cut by the blade.**
- **Do not use the extended-reach hedge trimmer in bad weather conditions, especially when there is a risk of lightning. This decreases the risk of being struck by lightning.**
- **To reduce the risk of electrocution, never use near any electrical power lines. Contact with or use near power lines may cause serious injury or electric shock resulting in death.**
- **Always use two hands when operating the extended-reach hedge trimmer. Hold the extended-reach hedge trimmer with both hands to avoid loss of control.**
- **Always use head protection when operating the extended-reach hedge trimmer overhead. Falling debris can result in serious personal injury.**

## 5 CHILD SAFETY











Tragic accidents can occur if the operator is not aware of the presence of children.

- Keep children out of the working area and under the watchful care of a responsible adult.

- Do not allow children under the age of 14 to operate this machine. Children who are 14 years of age and older must read and understand the operating instructions and safety rules in this manual and must be trained and supervised by a parent.
- Stay alert, and turn the machine off if a child or any other person enters the working area.
- Use extreme care when approaching blind corners, doorways, shrubs, trees, or other objects that may obscure your view of a child who may run into the path of the machine.











## 6 SYMBOLS ON THE PRODUCT

Some of the following symbols may be used on this product. Please study them and learn their meaning. Proper interpretation of these symbols will allow you to operate the product better and safer.

Symbol	Explanation
	Direct current-Type or characteristic of current.
	Precautions that involve your safety.
	Read and understand all instructions before operating the product, and follow all warnings and safety instructions.
	Wear eye protection.
	Do not expose the product to rain or moist conditions.
	Wear ear protection.
	Wear head protection.
	Wear safety footwear.
	Wear non-slip, heavy duty gloves.
	DANGER! Risk of electrocution!


## 7 SYMBOLS ON THE PRODUCT



Some of the following symbols may be used on this product. Please study them and learn their meaning. Proper interpretation of these symbols will allow you to operate the product better and safer.

Symbol	Explanation
	Precautions that involve your safety.
	Read and understand all instructions before operating the product, and follow all warnings and safety instructions.
	Wear eye protection.
	Thrown objects can ricochet and result in personal injury or property damage. Wear protective clothing and boots.
	Wear non-slip, heavy duty gloves.
	Keep all bystanders at least 15m away.
	DANGER! Risk of electrocution! Keep tool 50 feet away from electrical lines. Keep all bystanders at least 50 ft. away.
	Do not expose the product to rain or moist conditions.
	Danger – keep hands and feet away from blade.
	Wear head protection.

## 8 RISK LEVELS

The following signal words and meanings are intended to explain the levels of risk associated with this product.

SYMBOL	SIGNAL	MEANING
	DANGER	Indicates an imminently hazardous situation, which, if not avoided, will result in death or serious injury.

SYM-BOL	SIGNAL	MEANING
	WARNING	Indicates a potentially hazardous situation, which, if not avoided, could result in death or serious injury.
	CAUTION	Indicates a potentially hazardous situation, which, if not avoided, may result in minor or moderate injury.
	CAUTION	(Without Safety Alert Symbol) Indicates a situation that may result in property damage.

## 9 ENVIRONMENTALLY SAFE BATTERY DISPOSAL



The toxic and corrosive materials below are in the batteries used in this machine: **Lithium-Ion, a toxic material.**

### ▲ WARNING

Discard all toxic materials in a specified manner to prevent contamination of the environment. Before discarding damaged or worn out Li-ion battery, contact your local waste disposal agency, or the local Environmental Protection Agency for information and specific instructions. Take the batteries to a local recycling and/or disposal center, certified for lithium-ion disposal.

### ▲ WARNING

If the battery pack cracks or breaks, with or without leaks, do not recharge it and do not use. Discard it and replace with a new battery pack. **DO NOT TRY TO REPAIR IT!** To prevent injury and risk of fire, explosion, or electric shock, and to avoid damage to the environment:

- Cover the terminals of the battery with heavy-duty adhesive tape.
- **DO NOT** try to remove or destroy any of the battery pack components.
- **DO NOT** try to open the battery pack.
- If a leak develops, the released electrolytes are corrosive and toxic. **DO NOT** get the solution in the eyes or on skin, and do not swallow it.
- **DO NOT** put these batteries in your regular household trash.
- **DO NOT** incinerate.
- **DO NOT** put them where they will become part of any waste landfill or municipal solid waste stream.
- Take them to a certified recycling or disposal center.

## 10 PROPOSITION 65

### ▲ WARNING

This product contains a chemical known to the state of California to cause cancer, birth defects or other reproductive harm. Some dust created by power sanding, sawing, grinding, drilling, and other construction activities contains chemicals known to cause cancer, birth defects or other reproductive harm. Some examples of these chemicals are:

- Lead from lead-based paints;
- Crystalline silica from bricks and cement and other masonry products;
- Arsenic and chromium from chemically treated lumber.

Your risk of exposure to these chemicals varies depending on how often you do this type of work. To reduce your exposure to these chemicals, work in a well-ventilated area, and work with approved safety equipment, such as dust masks that are specially designed to filter out microscopic particles.

Save these instructions.

## 11 INSTALLATION

### 11.1 UNPACK THE MACHINE

### ▲ WARNING

It is not necessary to assemble the machine.

**▲ WARNING**

- If the parts have damage, do not use the machine.
- If you do not have all the parts, do not operate the machine.
- If the parts are damaged or missing, speak to the service center.

1. Open the package.
2. Read the documentation in the box.
3. Remove the machine from the box.
4. Discard the box and package in compliance with local regulations.

**11.1.1 ADD THE BAR AND CHAIN OIL**

Examine the amount of oil in the machine. If the oil level is low, add the bar and chain oil as follows.

**i IMPORTANT**

Use bar and chain oil that is only for chains and chain oilers.

**i NOTE**

The machine comes from the factory without bar and chain oil.

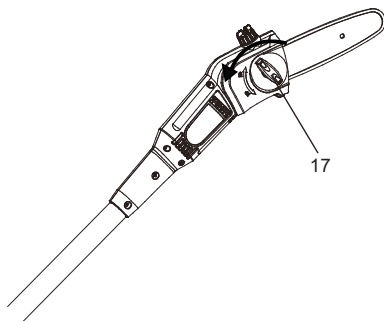
1. Loosen and remove the cap from the oil tank.
2. Put the oil into the oil tank.
3. Monitor the oil indicator to make sure that no dirt gets into the oil tank while you add the oil.
4. Put the oil cap on.
5. Tighten the oil cap.
6. The whole oil tank will last for approximately 20- 40 minutes.

**i IMPORTANT**

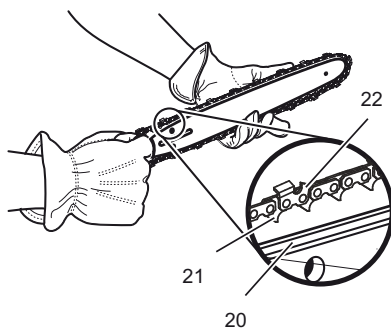
Do not use dirty, used or contaminated oil. Damage can occur to the bar or chain.

**11.1.2 ASSEMBLE THE GUIDE BAR AND THE CHAIN**

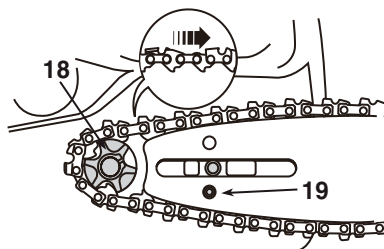
1. Loosen the chain cover by turning the chain cover knob (17) counterclockwise.
2. Remove the chain cover.



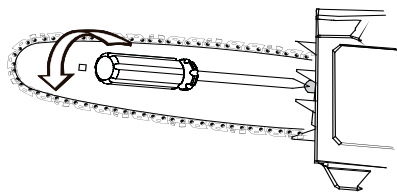
3. Put the chain drive links (21) into the bar groove (20).
4. Put the chain cutters (22) in the direction of the chain operation.
5. Put the chain in position and make sure that the loop is behind the guide bar.



6. Hold the chain and bar.
7. Put the chain loop around the sprocket (18).
8. Make sure the chain tension pin hole (19) on the guide bar fits correctly with the bolt.



9. Install the chain cover.
10. Tighten the chain. Refer to *Adjust the chain tension*.

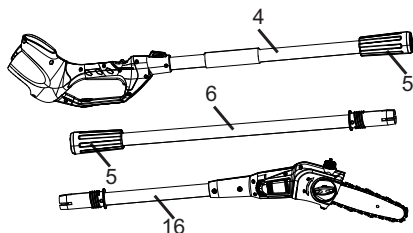


11. Tighten the chain cover knob when the chain is correctly tensioned.

### **i** NOTE

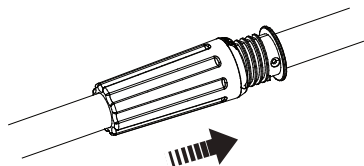
If you start the chain saw with a new chain, have a test for 2-3 minutes. A new chain gets longer after the first use, examine the tension and tighten the chain if necessary.

#### 11.1.3 FIT THE POLE SAW



1. Mount the pole saw head (16) on pole saw handle (4) to achieve the standard length.
2. Slide the collar (5) upwards.
3. Turn the collar clockwise to tight it.

#### 11.1.4 EXTENSION OF THE POLE SAW



1. Fit the extension pole between the pole saw handle and the pole saw head to achieve the maximum length.
2. Slide the collars upwards.
3. Turn the collars clockwise to tight them.

### **▲** WARNING

Periodically check the tightness of the connection of the collars.

#### 11.1.5 FIT THE HEDGE TRIMMER HEAD



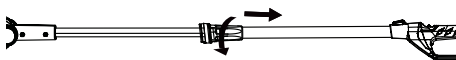
The hedge trimmer head can be mounted directly into handle pole so as to achieve the standard length.

1. Insert the rear handle into the hedge trimmer head.
2. Slide the coupler and turn it until it is completely tightened.

### **▲** WARNING

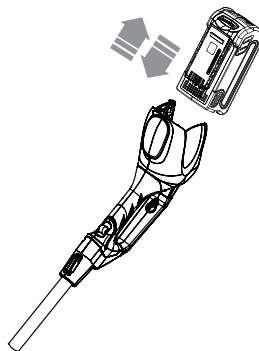
Periodically check the connections to ensure that they are tightened securely.

#### 11.1.6 REMOVE THE HEDGE TRIMMER HEAD



1. Rest the machine on the ground.
2. Loosen the coupler.
3. Take off the hedge trimmer head.

#### 11.1.7 INSTALL THE BATTERY PACK



### **▲** WARNING

- If the battery pack or charger is damaged, replace the battery pack or the charger.
- Stop the machine and wait until the motor stops before you install or remove the battery pack.
- Read and understand the instructions in the battery and charger manual.

1. Align the lift ribs on the battery pack with the grooves in the battery compartment.
2. Push the battery pack into the battery compartment until the battery pack locks into place.
3. When you hear a click, the battery pack is installed.

#### 11.1.8 REMOVE THE BATTERY PACK

1. Push and hold the battery release button.
2. Remove the battery pack from the machine.

## 12 OPERATION

### ▲ WARNING

Do not handle battery pack, switch, or machine with wet hands. Do not expose to rain or allow liquid to enter the motor compartment.

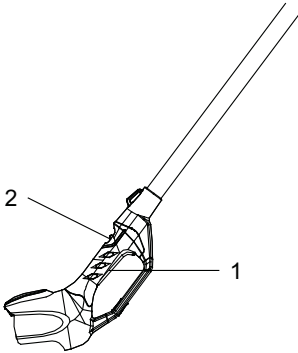
### 12.1 EXAMINE THE CHAIN OIL

#### i NOTE

Do not use the machine without sufficient chain oil.

1. Examine the oil level of the machine from the oil indicator.
2. Add the oil if it is necessary.

### 12.2 START THE MACHINE

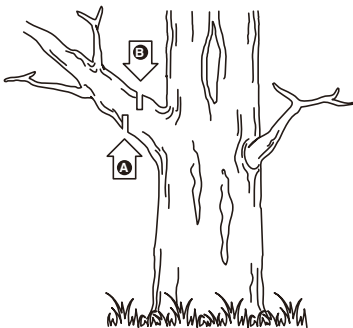


1. Pull the lock-out button (2) with your thumb backward.
2. Press the trigger (1) at the same time.

### 12.3 STOP THE MACHINE

1. Release the trigger to stop the machine.

### 12.4 DELIMBING A TREE



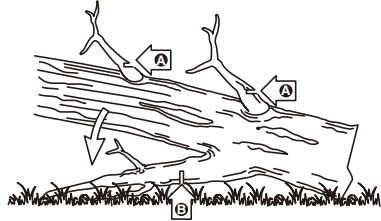
### ▲ WARNING

Make sure that there is nothing or nobody in the area where the branches fall.

- Stand opposite the branch you will cut.
- Start to cut the higher branches.
- Then cut the lower branches.
- Cut downwards to prevent the bar from jamming.

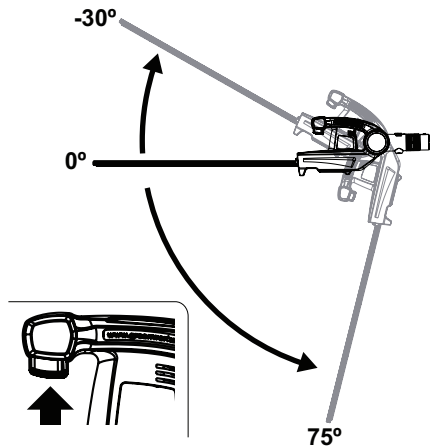
### 12.5 LIMB TREE BRANCHES

Limbing is to remove the branches from a fallen tree.



1. Keep the larger lower branches to hold the log off the ground.
2. Remove the small limbs in one cut.
3. Limb the branches with tension from the bottom to up.
4. Keep the larger lower branches as a support until the log is limbed.

### 12.6 ADJUST THE TRIMMER HEAD ANGLE



The trimmer head can be locked into 7 positions.

1. Pull the pivot button and move the head forward or backward to your desired position.
2. Release the pivot button.

**▲ WARNING**

The trimmer head should lock securely in place.

**12.7 OPERATION TIPS (POLE HEDGE TRIMMER)**

- Start by trimming the top of the hedge. Slightly tilt the tool (up to 15° relative to the line of cut) so that the blade tips point slightly towards the hedge. This will cause the blades to cut more effectively. Hold the tool at the desired angle and move it steadily along the line of cut. The doublesided blade allows you to cut in either direction.
- In order to obtain a very straight cut, stretch a piece of string along the length of the hedge at the desired height. Use the string as a guideline, cutting just above it.
- In order to obtain flat sides, cut upwards with the growth. Younger stems move outwards when the blade cuts downwards, causing shallow patches in the hedge.
- Take care to avoid any foreign objects. Especially avoid hard objects such as metal wire and railings, as these could damage the blades.
- Regularly oil the blades.

**▲ WARNING**

Keep hands away from blade while operating. Contact with blade will result in serious personal injury.

**13 MAINTENANCE****▲ CAUTION**

Do not let brake fluids, gasoline, petroleum-based materials touch the plastic parts. Chemicals can cause damage to the plastic, and make the plastic unserviceable.

**▲ CAUTION**

Do not use strong solvents or detergents on the plastic housing or components.

**▲ WARNING**

Remove the battery pack from the machine before maintenance.

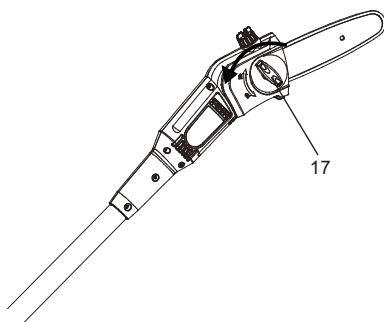
**13.1 ADJUST THE CHAIN TENSION****▲ CAUTION**

Wear protective gloves if you touch the chain, bar or areas around the chain.

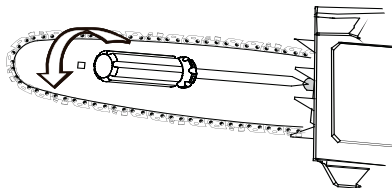
1. Loosen the chain cover by turning the chain cover knob (17) counterclockwise.

**i NOTE**

It is not necessary to remove the chain cover to adjust the chain tension.



2. Turn the chain tension screw behind the bar and chain clockwise to increase the chain tension.
3. Turn the chain tension screw counterclockwise to decrease the chain tension.



4. When the chain is at the wanted tension, tighten the chain cover.

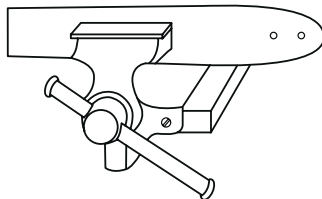
**13.2 SHARPEN THE CUTTERS**

Sharpen the cutters if it is not easy for the chain to go into the wood.

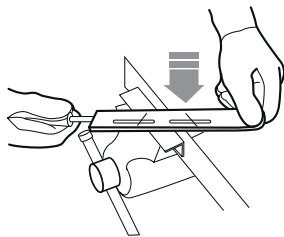
**i NOTE**

We recommend that a service center, which has an electric sharpener, perform important sharpening work.

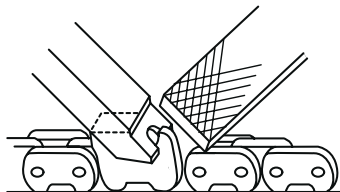
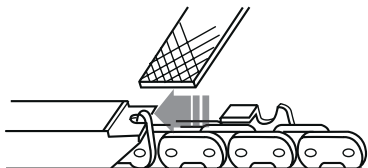
1. Tensioning chain.



2. Sharpen the cutters corner with a 5/32 in. (4 mm) diameter round file .



3. Sharpen the top plate, side plate and depth gauge with a flat file.



4. File all the cutters to the specified angles and the same length.

#### **i** NOTE

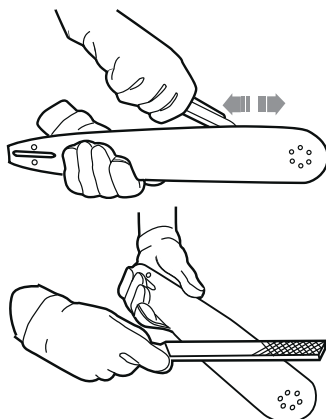
During the process,

- Keep the file flat with the surface to be sharpened.
- Use the midpoint of the file bar.
- Use light but firm pressure when sharpening the surface.
- Lift the file away on each return stroke.
- Sharpen the cutters on one side and then move to the other side.

Replace the chain if:

- The length of the cutting edges is less than 1/5 in. (5 mm).
- There is too much space between the drive links and the rivets.
- The cut speed is slow
- Sharpening the chain many times but it does not increase the cutting speed. The chain is worn.

### 13.3 GUIDE BAR MAINTENANCE



#### **i** NOTE

Make sure that it is turned over periodically to keep symmetrical wear on the bar.

1. Lubricate the bearings on the nose sprocket (if present) with the syringe (not included).
2. Clean the bar groove with the scraping hook (not included).
3. Clean the lubrication holes.
4. Remove burr from the edges and level the cutters with a flat file.

Replace the bar if:

- the groove does not fit with the height of the drive links (which must never touch the bottom).
- the inside of the guide bar is worn and makes the chain lean to one side.

### 13.4 CLEAN THE MACHINE

#### **▲** WARNING

Keep the machine and the motor free of leaves, branches or excessive oil to prevent fire risks.

- Use a moist cloth with a mild detergent to clean the machine.
- Clean all moisture with a soft dry cloth.
- Use a small brush to clean the air vents.

### 13.5 LUBRICATE THE BLADE (POLE HEDGE TRIMMER)

To increase the efficiency and life of the blades, lubricate them carefully after each work session:

- Put the machine on a flat and smooth surface.

- Use a soft cloth to clean the blades and a brush to remove more dirt.
- Use a light layer of oil to lubricate the blades along the top edge of the blade.

### **i** NOTE

We recommend to use the non-pollutant type oil.

## 14 STORE THE MACHINE

### **i** NOTE

Clean the machine before storage.

1. Remove the battery pack.
2. Let the motor cool.
3. Check that there are no loose or damaged components. If it is necessary, replace the damaged components, tighten screws and bolts, or speak to a person of an approved service center.
4. Store the machine in a cool and dry location.

## 15 TROUBLESHOOTING

Problem	Possible cause	Solution
The machine does not start.	The poles are not assembled correctly.	Assemble the poles according to the instructions.
	The lock-out button and trigger are not depressed at the same time.	<ol style="list-style-type: none"> <li>1. Push and hold the lock-out button</li> <li>2. While you hold the lock-out button, pull the trigger.</li> <li>3. Release the lock-out button to start the machine.</li> </ol>

Problem	Possible cause	Solution
The bar and chain gets hot and smokes.	Oil tank is empty.	Fill the oil tank.
	The discharge port is blocked.	<ol style="list-style-type: none"> <li>1. Remove the battery pack.</li> <li>2. Remove dirt from the discharge port.</li> </ol>
	Inlet opening of inner oil tank is blocked.	<ol style="list-style-type: none"> <li>1. Clean the oil tank.</li> <li>2. Fill with clean bar and chain lubricant.</li> </ol>
The bar and chain gets too hot and can not cut.	The sprocket is stuck and clogged with debris.	<ol style="list-style-type: none"> <li>1. Clean the sprocket.</li> <li>2. Fill with clean bar and chain lubricant.</li> </ol>
	The chain tension is too tight or too loose.	Refer to Adjust the Chain Tension in the manual.
	The chain is dull	Sharpen or replace the chain.
The motor runs, but the chain does not cut correctly, or the motor stops after around 3 seconds.	The chain is put on backwards.	Take out the chain and turn it in the right direction.
	When you use the machine under load, it stops.	<ol style="list-style-type: none"> <li>1. Release the trigger.</li> <li>2. Start the machine again.</li> </ol>
	The chain is not lubricated.	Lubricate the chain to decrease the friction.

## 16 TROUBLESHOOTING

Problem	Possible cause	Solution
The motor does not start when you pull the trigger.	The battery pack is not installed tightly.	Make sure that you tightly install the battery pack in the machine.
	The battery pack is out of power.	Charge the battery pack.
The machine smokes during operation.	The machine has damage.	<ol style="list-style-type: none"> <li>1. Immediately stop the machine.</li> <li>2. Remove the battery pack.</li> <li>3. Speak to service center.</li> </ol>

Problem	Possible cause	Solution
The motor is on, blades do not move.	The machine has damage.	Do not use the machine and speak to service center.
	The blades are blocked.	Remove battery pack then clear blockage from the blades.
There is too much noise and/or vibration during operation.	The parts are loosened.	<ol style="list-style-type: none"> <li>1. Stop the machine.</li> <li>2. Remove the battery.</li> <li>3. Inspect for damage.</li> <li>4. Check and tighten loose parts.</li> </ol>
	The parts have damage.	Do not use the machine and speak to service center.

## 17 TECHNICAL DATA

Category	Pole saw
Voltage	40V
Guide bar length	8" (203 mm)
Chain pitch	3/8" (9.5 mm)
Chain gauge	0.050"(1.27 mm)
Chain oil capacity	50 ml
Weight (without battery pack)	8.38 lbs. (3.8 kg)
Chain	91PJ033X / CL15033X
Guide bar	080NDEA318 / M1500833-1318TL
Category	Pole hedge trimmer
Voltage	40V
No load speed	2800 (±10%) SPM
Blade length	20"
Cutting capacity	1.1"
Weight (without battery pack)	9.57 lbs. (4.3 kg)
Battery model	29652 and other BAF series
Charger model	29692 and other CAF series

The recommended ambient temperature range:

Item	Temperature
Appliance storage temperature range	-4°F (-20°C) - 158°F (70°C)
Appliance operation temperature range	6.8°F (-14°C) - 104°F (40°C)
Battery charging temperature range	39°F (4°C) - 113°F (45°C)
Charger operation temperature range	39°F (4°C) - 113°F (45°C)
Battery storage temperature range	32°F (0°C) - 73°F (23°C)
Battery discharging temperature range	6.8°F (-14°C) - 113°F (45°C)

## 18 LIMITED WARRANTY



Greenworks hereby warrants this product, to the original purchaser with proof of purchase, for a period of three (3) years against defects in materials, parts or workmanship. Greenworks, at its own discretion will repair or replace any and all parts found to be defective, through normal use, free of charge to the customer. This warranty is valid only for units which have been used for personal use that have not been hired or rented for industrial/commercial use, and that have been maintained in accordance with the instructions in the owners' manual supplied with the product from new.

### ITEMS NOT COVERED BY WARRANTY:

1. Any part that has become inoperative due to misuse, commercial use, abuse, neglect, accident, improper maintenance, or alteration; or
2. The unit, if it has not been operated and/or maintained in accordance with the owner's manual; or
3. Normal wear, except as noted below;
4. Routine maintenance items such as lubricants, blade sharpening;
5. Normal deterioration of the exterior finish due to use or exposure.

### HELPLINE:

Warranty service is available by calling our toll-free helpline, at 1-888-909-6757.

**TRANSPORTATION CHARGES:**

Transportation charges for the movement of any power equipment unit or attachment are the responsibility of the purchaser. It is the purchaser's responsibility to pay transportation charges for any part submitted for replacement under this warranty unless such return is requested in writing by Greenworks.

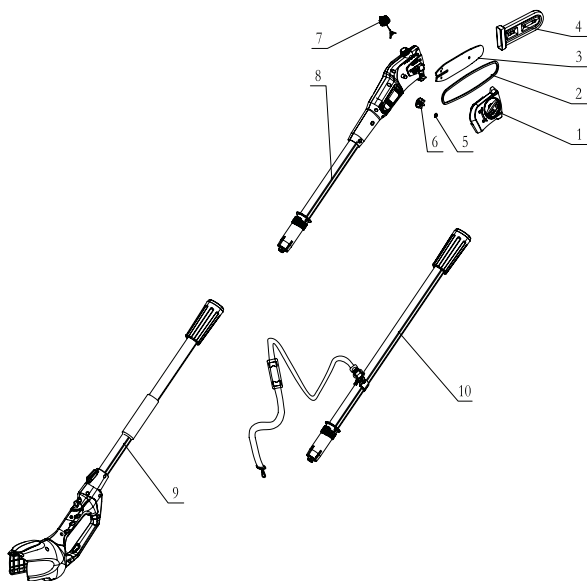
**CANADIAN ADDRESS:**

Greenworks Tools Canada Inc.

1110 Stellar Drive Unit 102

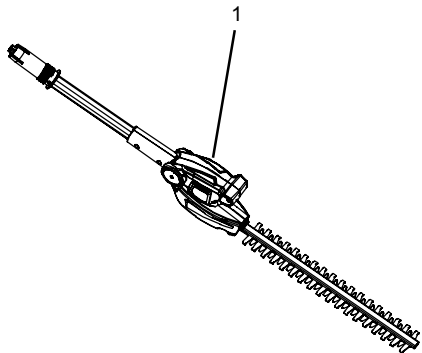
Newmarket, ON, L3Y 7B7

**19 EXPLODED VIEW**



No.	Part No.	Qty	Description
1	31111258	1	Side Cover Assembly
2	32901320	1	Chain
3	32902320-7	1	Guide Bar
4	34112320-2	1	Scabbard
5	3290875	1	Spring
6	33902102-2	1	Sproket
7	31112258	1	Oil Tank Cap
8	31113258	1	Upper Pole Assembly
9	31103258	1	Handle Assembly
10	31102257	1	Middle Pole Assembly

## 20 EXPLODED VIEW



No.	Part No.	Qty	Description
1	31101258	1	Hedge trimmer head assembly

<b>1</b>	<b>Description.....</b>	<b>19</b>	<b>11</b>	<b>Installation.....</b>	<b>24</b>
1.1	But.....	19	11.1	Déballez la machine.....	24
1.2	Aperçu.....	19	<b>12</b>	<b>Utilisation.....</b>	<b>26</b>
<b>2</b>	<b>Avertissements généraux de sécurité des outils électriques.....</b>	<b>19</b>	12.1	Examinez la lubrification de la chaîne.....	26
2.1	Sécurité de la zone de travail.....	19	12.2	Démarrez la machine.....	26
2.2	Sécurité électrique.....	19	12.3	Arrêtez la machine.....	26
2.3	Sécurité des personnes.....	19	12.4	Ébranchage d'un arbre.....	27
2.4	Utilisation et entretien des outils électriques...20		12.5	Branches d'arbres.....	27
2.5	Utilisation et entretien de l'outil sur batterie...20		12.6	Réglez l'angle de la tête de coupe.....	27
2.6	Service.....	20	12.7	Conseils d'utilisation (taille-haie à long manche).....	27
<b>3</b>	<b>Règles générales de sécurité.....</b>	<b>20</b>	<b>13</b>	<b>Entretien.....</b>	<b>28</b>
<b>4</b>	<b>Avertissements de sécurité de la taille-haie.....</b>	<b>22</b>	13.1	Réglez la tension de la chaîne.....	28
<b>5</b>	<b>Sécurité des enfants.....</b>	<b>22</b>	13.2	Affûtez les dents.....	28
<b>6</b>	<b>Symboles figurant sur la machine.....</b>	<b>22</b>	13.3	Entretien du guide-chaîne.....	29
<b>7</b>	<b>Symboles figurant sur la machine.....</b>	<b>23</b>	13.4	Nettoyez la machine.....	29
<b>8</b>	<b>Niveaux de risques.....</b>	<b>23</b>	13.5	Lubrifiez la lame (taille-haie à long manche)..29	
<b>9</b>	<b>Élimination des batteries sans danger pour l'environnement.....</b>	<b>23</b>	<b>14</b>	<b>Entreposez la machine.....</b>	<b>29</b>
<b>10</b>	<b>Proposition 65.....</b>	<b>24</b>	<b>15</b>	<b>Dépannage.....</b>	<b>30</b>
			<b>16</b>	<b>Dépannage.....</b>	<b>30</b>
			<b>17</b>	<b>Données techniques.....</b>	<b>31</b>
			<b>18</b>	<b>Garantie limitée.....</b>	<b>31</b>
			<b>19</b>	<b>Vue éclatées.....</b>	<b>32</b>
			<b>20</b>	<b>Vue éclatées.....</b>	<b>33</b>

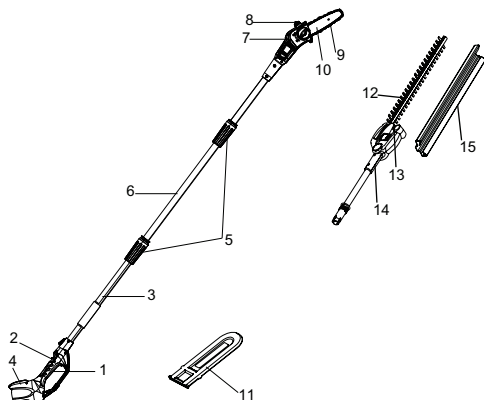
## 1 DESCRIPTION

### 1.1 BUT

La scie à long manche est destinée à couper les branches des arbres debout, mais n'est pas conçue pour couper du bois comme une tronçonneuse normale.

Ce taille-haie à long manche est conçu pour couper et tailler les haies et les buissons en usage domestique.

### 1.2 APERÇU



- |                                 |                                |
|---------------------------------|--------------------------------|
| 1 Gâchette                      | 8 Bouchon du réservoir d'huile |
| 2 Bouton de verrouillage        | 9 Chaîne                       |
| 3 Manche                        | 10 Guide                       |
| 4 Poignée de scie à long manche | 11 Fourreau                    |
| 5 Collet                        | 12 Lame                        |
| 6 Tige rallonge                 | 13 Bouton de pivot             |
| 7 Couvercle du guide-chaîne     | 14 Tête de taille-haie         |
|                                 | 15 Couvercle de la lame        |

## 2 AVERTISSEMENTS GÉNÉRAUX DE SÉCURITÉ DES OUTILS ÉLECTRIQUES

### ▲ AVERTISSEMENT

N'utilisez pas cet appareil à proximité de lignes électriques. L'appareil n'a pas été conçu pour assurer une protection contre les chocs électriques en cas de contact avec des lignes électriques aériennes. Consultez les réglementations locales pour connaître les distances de sécurité par rapport aux lignes électriques aériennes et vous assurer que votre emplacement est sécuritaire avant d'utiliser l'échenilloir à chaîne.

### ▲ AVERTISSEMENT

Lisez tous les avertissements de sécurité et toutes les instructions. Le non-respect de ces avertissements et de ces instructions peut entraîner un choc électrique, un incendie et/ou des blessures graves.

Conservez tous les avertissements et instructions pour référence ultérieure.

Le terme « outil électrique » dans les avertissements fait référence à votre outil électrique (sans fil) fonctionnant sur batterie.

### 2.1 SÉCURITÉ DE LA ZONE DE TRAVAIL

- **Gardez la zone de travail propre et bien éclairée.** Les endroits encombrés ou sombres favorisent les accidents.
- **N'utilisez pas les outils électriques dans des environnements explosifs, par exemple en présence de liquides, gaz ou poussières inflammables.** La mise en marche des outils électriques crée des étincelles qui peuvent enflammer la poussière ou les vapeurs.
- **Tenez les enfants et les curieux à l'écart lorsque vous utilisez un outil électrique.** Les distractions peuvent vous faire perdre le contrôle.

### 2.2 SÉCURITÉ ÉLECTRIQUE

- **N'exposez pas les outils électriques à la pluie ou à des conditions humides.** L'eau qui pénètre dans un outil électrique augmente le risque de choc électrique.

### 2.3 SÉCURITÉS DES PERSONNES

- **Restez vigilant, soyez attentif à ce que vous faites et faites preuve de bon sens lorsque vous utilisez un outil électrique. N'utilisez pas l'appareil lorsque vous êtes fatigué, sous l'emprise de l'alcool ou de drogues ou après avoir pris des médicaments.** Un simple moment d'inattention lors de l'utilisation d'un outil électrique peut provoquer des blessures corporelles graves.
- **Utilisez des équipements de protection individuelle. Portez toujours des lunettes de protection.** L'utilisation d'équipements de protection adaptés aux conditions de travail (masque anti-poussières, chaussures de sécurité antidérapantes, casque et protections auditives etc.) permet de réduire les risques de blessures corporelles.
- **Évitez tout démarrage accidentel. Assurez-vous que l'interrupteur est en position d'arrêt avant de brancher à la source d'alimentation et/ou le bloc-batterie et quand vous soulevez ou transportez l'appareil.** Transporter un outil électrique avec un doigt sur l'interrupteur ou le brancher sur une alimentation électrique alors que son interrupteur est en position marche favorise les accidents.
- **Ne vous penchez pas trop en avant. Gardez un bon équilibre en tout temps.** Ceci permet un meilleur

contrôle de l'outil électrique dans des situations inattendues.

- **Habillez-vous correctement. Ne portez pas de vêtements amples ou de bijoux. Veillez à ne pas approcher vos cheveux, vos vêtements et vos gants des pièces en mouvement.** *Les vêtements amples, les bijoux et les cheveux longs peuvent se prendre dans les pièces en mouvement.*

## 2.4 UTILISATION ET ENTRETIEN DES OUTILS ÉLECTRIQUES

- **Ne forcez pas l'outil électrique. Utilisez l'outil électrique adapté à votre application.** *L'outil électrique approprié fera mieux le travail et sera plus sécuritaire au rythme pour lequel il a été conçu.*
- **N'utilisez pas l'outil électrique si l'interrupteur ne le met pas en marche ou à l'arrêt.** *Tout outil électrique qui ne peut pas être contrôlé avec l'interrupteur est dangereux et doit être réparé.*
- **Débranchez la prise de la source d'alimentation et/ou du bloc-batterie avant d'effectuer des réglages, de changer des accessoires ou de ranger l'outil électrique.** *De telles mesures de sécurité préventives réduisent le risque de démarrage accidentel de l'outil électrique.*
- **Rangez les outils électriques inutilisés hors de portée des enfants et ne laissez pas des personnes qui se sont familiarisées avec l'outil électrique ou ces instructions l'utiliser.** *Les outils électriques sont dangereux entre les mains des utilisateurs non formés.*
- **Entretenez les outils électriques. Vérifiez le désalignement des pièces mobiles ou la fixation des pièces mobiles, la cassure des pièces et toute autre condition qui pourrait affecter le fonctionnement de l'outil électrique. Si il est endommagé, faites réparer l'outil électrique avant de l'utiliser.** *De nombreux accidents sont causés par des outils électriques mal entretenus.*
- **Gardez les outils de coupe propres et tranchants.** *Les outils de coupe bien entretenus avec des bords tranchants sont moins susceptibles de se coincer et sont plus faciles à contrôler.*
- **Utilisez l'outil électrique, les accessoires, les mèches, etc. conformément à ces instructions, en tenant compte des conditions de travail et des travaux à effectuer.** *L'utilisation de l'outil motorisé pour des opérations différentes de celles prévues pourrait entraîner une situation dangereuse.*

## 2.5 UTILISATION ET ENTRETIEN DE L'OUTIL SUR BATTERIE

- **Rechargez uniquement avec le chargeur spécifié par le fabricant.** *Un chargeur adapté à un type de bloc-batterie peut créer un risque d'incendie lorsqu'il est utilisé avec un autre bloc-batterie.*
- **Utilisez les outils électriques uniquement avec des batteries spécialement conçues à cet effet.** *L'utilisation*

*de tout autre bloc-batterie peut créer un risque de blessure et d'incendie.*

- **Lorsque le bloc batterie n'est pas utilisé, éloignez-le des autres objets métalliques tels qu'attaches trombones, pièces de monnaie, clés, clous, vis ou autres petits objets métalliques qui peuvent établir une connexion d'une borne à une autre.** *Le court-circuitage des bornes de la batterie peut provoquer des brûlures ou un incendie.*
- **Dans des conditions abusives, du liquide peut être éjecté de la batterie ; évitez tout contact. En cas de contact accidentel, rincez abondamment avec du savon et de l'eau. En cas de contact du liquide avec les yeux, consultez immédiatement un médecin.** *Le liquide s'échappant des batteries peut causer des irritations ou des brûlures.*

## 2.6 SERVICE

- **Faites effectuer l'entretien de votre outil électrique par un réparateur qualifié en n'utilisant que des pièces de rechange identiques.** *Cela garantira le maintien de la sécurité de l'outil électrique.*

## 3 RÈGLES GÉNÉRALES DE SÉCURITÉ

- Évitez les environnements dangereux - N'utilisez pas les appareils dans des endroits humides ou mouillés.
- N'utilisez pas sous la pluie.
- Gardez les enfants à l'écart - Tous les visiteurs doivent être tenus à bonne distance de la zone de travail.
- Habillez-vous correctement – Ne portez pas de vêtements amples ou de bijoux. Ils pourraient se coincer dans les pièces en mouvement. Le port de gants en caoutchouc et de chaussures adaptées est recommandé pour travailler à l'extérieur. Portez un couvre-chef protecteur pour contenir les cheveux longs.
- Portez des lunettes de protection : utilisez toujours un masque facial ou un masque anti-poussière si l'opération est poussiéreuse.
- Utilisez le bon appareil : n'utilisez pas l'appareil pour d'autres tâches que celles auxquelles il est destiné.
- Évitez tout démarrage accidentel – Ne transportez pas l'appareil branché avec un doigt sur l'interrupteur. Assurez-vous que l'interrupteur est éteint lorsque vous branchez l'appareil. Le fait de porter l'appareil avec un doigt sur l'interrupteur ou d'alimenter l'appareil dont l'interrupteur est en marche risque de provoquer des accidents.
- Ne saisissez pas les lames ou les arêtes de coupe exposées lorsque vous soulevez ou tenez l'appareil. (Uniquement pour les cisailles à gazon et appareils similaires.)
- Ne forcez pas l'appareil - Il fera mieux le travail et avec moins de risque de blessure à la vitesse pour laquelle il a été conçu.
- Ne vous penchez pas trop, gardez un bon équilibre en tout temps.

- Soyez vigilant – Faites attention à ce que vous faites. Faites appel à votre bon sens. N'utilisez pas la tondeuse lorsque vous êtes fatigué.
- Débranchez la tondeuse à gazon – Débranchez l'appareil de l'alimentation électrique lorsqu'il n'est pas utilisé, avant l'entretien, lors du remplacement des accessoires tels que les lames, etc.
- Entrez les appareils inutilisés à l'intérieur - Lorsqu'ils ne sont pas utilisés, entreposez-les à l'intérieur, dans un endroit sec, surélevé ou verrouillé, hors de la portée des enfants.
- Entretenez l'appareil avec soin - Gardez les bords tranchants et propres pour une meilleure performance et pour réduire les risques de blessures. Suivez les instructions pour lubrifier et changer les accessoires. Inspectez périodiquement le cordon de l'appareil. S'il est endommagé, faites-le réparer par un réparateur agréé. Inspectez périodiquement les rallonges électriques et remplacez-les si elles sont endommagées. Veillez à ce que les poignées restent propres, sèches et exemptes d'huile et de graisse.
- Vérifier les pièces endommagées – Avant de continuer à utiliser la machine, il convient de vérifier soigneusement une garde protectrice ou toute autre pièce endommagée pour s'assurer qu'il fonctionnera correctement comme prévu. Vérifiez l'alignement des pièces mobiles, la fixation des pièces mobiles, la cassure des pièces, les fixations endommagées et toute autre condition qui pourrait affecter leur fonctionnement. Une garde protectrice ou toute autre pièce endommagée doit être correctement réparée ou remplacée par un centre de service agréé, sauf en cas d'indication contraire dans ce manuel.
- Veillez à ce qu'aucune partie du corps ne s'approche de la tronçonneuse. N'enlevez pas le matériau coupé et ne retenez pas le matériau à couper lorsque les lames sont en mouvement. Assurez-vous que l'interrupteur est éteint lorsque vous enlevez le matériel coincé. La tronçonneuse continue de fonctionner alors que l'interrupteur est éteint. Un simple moment d'inattention lors de l'utilisation de la tête de scie peut provoquer des blessures corporelles graves.
- Portez la tronçonneuse en la tenant par la poignée, lorsque qu'elle était bien éteinte. Remettez toujours le couvercle du guide-chaîne avant de transporter ou de ranger la tronçonneuse. Une manipulation correcte de la tête de scie réduira les risques de blessures corporelles causées par la chaîne de la tronçonneuse.
- Tenez toujours la tronçonneuse par ses poignées isolantes parce que la lame peut à tout moment entrer en contact avec un fil électrique caché ou sa propre rallonge. Si une tronçonneuse entre en contact avec un fil électrique sous tension, les parties métalliques non carénées de l'outil peuvent se retrouver sous tension et l'opérateur risque d'être électrocuté.
- Tenez le câble éloigné de la zone de coupe. Pendant le fonctionnement, le câble peut être caché dans des arbustes et peut être coupé accidentellement par la chaîne de la scie.
- N'utilisez pas la scie à long manche par mauvais temps, surtout s'il y a un risque de foudre. Cela diminue le risque d'être frappé par la foudre.
- Pour réduire le risque d'électrocution, ne jamais utiliser à proximité d'une ligne électrique. Tout contact avec des lignes électriques ou toute utilisation à proximité de celles-ci peut provoquer des blessures graves ou un choc électrique pouvant entraîner la mort.
- Utilisez toujours les deux mains lorsque vous utilisez la scie à long manche. Tenez la scie à deux mains pour éviter toute perte de contrôle.
- Utilisez toujours une protection de la tête lorsque vous utilisez la scie à poteaux au-dessus de votre tête. La chute de débris peut causer des blessures graves.
- Évitez tout démarrage accidentel. Assurez-vous que l'interrupteur est en position d'arrêt avant de brancher la batterie, de soulever ou de transporter l'appareil. Le fait de transporter un appareil avec un doigt sur l'interrupteur ou d'alimenter un appareil dont l'interrupteur est en position de marche risque de provoquer des accidents.
- Assurez-vous que l'interrupteur est éteint et que la batterie est retirée avant d'éliminer les blocages, d'effectuer des réglages, de changer les accessoires, de ranger ou de réparer l'appareil. Une mise en marche inattendue de l'appareil lors de l'élimination de blocages ou de l'entretien peut entraîner des blessures graves.
- Rechargez uniquement avec le chargeur spécifié par le fabricant. Un chargeur adapté à un type de batterie peut créer un risque d'incendie lorsqu'il est utilisé avec une autre batterie.
- Utilisez les appareils uniquement avec des batteries spécialement conçues à cet effet. L'utilisation de toutes autres batteries peut créer un risque de blessure et d'incendie.
- Lorsque la batterie n'est pas utilisée, éloignez-la des autres objets métalliques tels qu'attaches trombones, pièces de monnaie, clés, clous, vis ou autres petits objets métalliques qui peuvent établir une connexion d'une borne à une autre. Le court-circuitage des bornes de la batterie peut provoquer des brûlures ou un incendie.
- Dans des conditions abusives, du liquide peut être éjecté de la batterie ; évitez tout contact. En cas de contact accidentel, rincez avec de l'eau. En cas de contact avec les yeux, consultez également un médecin. Le liquide s'échappant des batteries peut causer des irritations ou des brûlures.
- N'utilisez pas une batterie ou un appareil endommagé ou modifié. Les batteries endommagées ou modifiées peuvent présenter un fonctionnement imprévisible et provoquer un incendie, une explosion ou un risque de blessure.
- N'exposez pas une batterie ou un appareil à un feu ou à une température excessive. L'exposition au feu ou une température supérieure à 130°C peut provoquer une explosion. La température de 130°C peut être remplacée par la température de 265°F.
- Suivez toutes les instructions de recharge et ne rechargez pas la batterie ou l'appareil en dehors de la plage de

température spécifiée dans ces instructions. Un rechargement incorrect ou à des températures en dehors de la plage spécifiée peut endommager la batterie et augmenter le risque d'incendie.

- Faites effectuer l'entretien par un réparateur qualifié en n'utilisant que des pièces de rechange identiques. Cela garantira le maintien de la sécurité du produit.
- Ne modifiez pas ou n'essayez pas de réparer l'appareil ou la batterie (selon le cas) sauf en conformité avec les instructions d'utilisation et d'entretien indiquées dans ce manuel.

## 4 AVERTISSEMENTS DE SÉCURITÉ DE LA TAILLE-HAIE

- **Utilisez vos deux mains lorsque vous utilisez le taille-haie. L'utilisation d'une seule main peut entraîner une perte de contrôle et des blessures graves.**
- **Veillez à ce qu'aucune partie du corps ne s'approche de la lame de coupe. N'enlevez pas le matériau coupé et ne retenez pas le matériau à couper lorsque les lames sont en mouvement. Assurez-vous que l'interrupteur est éteint lorsque vous enlevez le matériel coincé. Les lames continuent de tourner après l'arrêt du moteur. Un simple moment d'inattention lors de l'utilisation de la taille-haie peut provoquer des blessures corporelles graves.**
- **Portez le taille-haie près de la poignée, lorsque la lame de coupe est arrêtée. Une manipulation correcte du taille-haie réduira les risques de blessures corporelles causées par la lame de coupe.**
- **DANGER – Gardez les mains et les pieds éloignés de la lame. Le contact avec la lame entraînera des blessures corporelles graves.**
- **Tenez toujours l'outil électrique par ses poignées isolantes, parce que la lame de coupe entrera en contact avec un fil électrique caché. Les lames de coupe en contact avec un fil sous tension peuvent faire exposer les parties métalliques sous tension et donner un choc électrique à l'opérateur.**
- **Tenez le câble éloigné de la zone de coupe. Pendant le fonctionnement, le câble peut être caché dans des arbustes et peut être coupé accidentellement par la lame.**
- **N'utilisez pas le taille-haie télescopique à long manche par mauvais temps, surtout s'il y a un risque de foudre. Cela diminue le risque d'être frappé par la foudre.**
- **Pour réduire le risque d'électrocution, ne jamais utiliser à proximité d'une ligne électrique. Tout contact avec des lignes électriques ou toute utilisation à proximité de celles-ci peut provoquer des blessures graves ou un choc électrique pouvant entraîner la mort.**
- **Utilisez toujours les deux mains lorsque vous utilisez le taille-haie télescopique. Tenez le taille-haie télescopique avec les deux mains pour éviter de perdre le contrôle.**

- **Portez toujours un casque lorsque vous utilisez le taille-haie télescopique au dessus de la tête. La chute de débris peut causer des blessures graves.**

## 5 SÉCURITÉ DES ENFANTS



Des accidents tragiques peuvent se produire si l'opérateur n'est pas au courant de la présence des enfants.

- Éloignez les enfants de la zone de travail et placez-les sous la surveillance d'un adulte responsable.
- Ne laissez pas un enfant de moins de 14 ans utiliser cette machine. Les enfants de 14 ans et plus doivent lire et comprendre les instructions d'utilisation et les règles de sécurité contenues dans ce manuel et doivent être formés et supervisés par un parent.
- Restez vigilant et éteignez la machine si un enfant ou une autre personne entre dans la zone de travail.
- Soyez extrêmement prudent lorsque vous vous approchez d'un angle mort, d'une porte, d'un arbuste, d'un arbre ou de tout autre objet qui pourrait masquer la vue d'un enfant qui pourrait se heurter à la machine.

## 6 SYMBOLES FIGURANT SUR LA MACHINE











Certains des symboles suivants peuvent être utilisés sur ce produit. Veuillez les étudier et apprendre leur signification. Une bonne interprétation de ces symboles vous permettra de mieux utiliser le produit et de manière plus sécuritaire.

Symbole	Explication
	Courant continu - Type ou caractéristique du courant.
	Précautions destinées à assurer la sécurité.
	Lisez et comprenez toutes les instructions avant d'utiliser cette machine, et suivez tous les avertissements et les consignes de sécurité.
	Portez des lunettes de protection.
	Ne pas exposer la machine à la pluie ou à l'humidité.
	Portez un casque anti-bruit.
	Portez un casque protecteur.
	Portez des chaussures de sécurité.

Symbole	Explication
	Portez des gants antidérapants et résistants.
	DANGER ! Risque d'électrocution !




## 7 SYMBOLES FIGURANT SUR LA MACHINE

Certains des symboles suivants peuvent être utilisés sur ce produit. Veuillez les étudier et apprendre leur signification. Une bonne interprétation de ces symboles vous permettra de mieux utiliser le produit et de manière plus sécuritaire.

Symbole	Explication
	Précautions destinées à assurer la sécurité.
	Lisez et comprenez toutes les instructions avant d'utiliser cette machine, et suivez tous les avertissements et les consignes de sécurité.
	Portez des lunettes de protection.
	Les objets projetés peuvent ricocher et causer des blessures corporelles ou des dommages matériels. Portez des vêtements et des bottes de protection.
	Portez des gants antidérapants et résistants.
	Tenez tous les curieux à une distance d'au moins 15 m.
	DANGER ! Risque d'électrocution ! Gardez l'outil à une distance de 15 m des lignes électriques. Tenez tous les curieux à une distance d'au moins 15 m.
	Ne pas exposer la machine à la pluie ou à l'humidité.
	Danger – Gardez les mains et les pieds éloignés de la lame.
	Portez un casque protecteur.

## 8 NIVEAUX DE RISQUES

Les termes de mise en garde suivants et leur signification ont pour but d'expliquer les niveaux de risques associés à l'utilisation de ce produit.

SYMBOLE	SIGNAL	SIGNIFICATION
	DANGER	Indique une situation dangereuse imminente qui, si elle n'est pas évitée, peut entraîner la mort ou des blessures graves.
	AVERTISSEMENT	Indique une situation potentiellement dangereuse qui, si elle n'est pas évitée, peut entraîner la mort ou des blessures graves.
	MISE EN GARDE	Indique une situation potentiellement dangereuse qui, si elle n'est pas évitée, pourrait causer des blessures mineures ou modérées.
	MISE EN GARDE	(Sans symbole d'alerte de sécurité) Indique une situation pouvant entraîner des dommages matériels.

## 9 ÉLIMINATION DES BATTERIES SANS DANGER POUR L'ENVIRONNEMENT



Les matières toxiques et corrosives ci-dessous se trouvent dans les batteries utilisées dans cette machine : **Lithium-ion, une substance toxique.**

### ▲ AVERTISSEMENT

Éliminez toutes les substances toxiques d'une manière spécifiée afin de prévenir la contamination de l'environnement. Avant de jeter une batterie Li-ion endommagée ou usée, contactez votre agence locale d'élimination des déchets ou l'agence locale de protection de l'environnement pour obtenir des informations et des instructions spécifiques. Apportez les batteries à un centre local de recyclage ou d'élimination certifié pour l'élimination de batteries au lithium-ion.

## ▲ AVERTISSEMENT

Si la batterie se fend ou se brise, avec ou sans fuites, ne la rechargez pas et ne l'utilisez pas. Jetez-la et remplacez-la par une nouvelle batterie. **N'ESSAYEZ PAS DE LA RÉPARER !** Pour prévenir les blessures et les risques d'incendie, d'explosion ou de choc électrique, et pour éviter tout dommage à l'environnement :

- Couvrez les bornes de la batterie avec du ruban adhésif résistant.
- **NE PAS** essayer d'enlever ou de détruire les composants de la batterie.
- **NE PAS** essayer d'ouvrir ou de réparer la batterie.
- En cas de fuite, les électrolytes rejetés sont corrosifs et toxiques. **NE PAS** laisser entrer la solution dans les yeux ou en contact avec la peau et ne pas l'avaler.
- **NE PAS** jeter vos batteries usagées dans votre poubelle à ordures ménagères.
- **NE PAS** incinérer.
- **NE LES** Mettez **PAS** dans un endroit où ils feront partie d'un site d'enfouissement de déchets ou d'un flux de déchets solides municipaux.
- Emmenez-les dans un centre de recyclage ou d'élimination certifié.

## 10 PROPOSITION 65

### ▲ AVERTISSEMENT

Ce produit contient un produit chimique connu dans l'état de Californie comme étant une cause de cancer, de malformations congénitales ou d'autres problèmes de reproduction. Certaines poussières produites par le ponçage mécanique, le sciage, le meulage, le perçage et d'autres activités de construction contiennent des produits chimiques connus pour causer le cancer, des malformations congénitales ou d'autres problèmes de reproduction. Voici quelques exemples de ces produits chimiques :

- Plomb provenant de peintures à base de plomb;
- Silice cristalline provenant de briques, de ciment et d'autres produits de maçonnerie;
- Arsenic et chrome provenant de bois traité chimiquement.

Votre risque d'exposition à ces produits chimiques varie selon la fréquence à laquelle vous faites ce type de travail. Pour réduire votre exposition à ces produits chimiques, travaillez dans un endroit bien ventilé et utilisez un équipement de sécurité approuvé, comme des masques anti-poussière spécialement conçus pour filtrer les particules microscopiques.

Conservez ces instructions

## 11 INSTALLATION

### 11.1 DÉBALLEZ LA MACHINE

#### ▲ AVERTISSEMENT

Il n'est pas nécessaire d'assembler la machine.

#### ▲ AVERTISSEMENT

- Si les pièces sont endommagées, n'utilisez pas la machine.
- Si vous n'avez pas toutes les pièces, n'utilisez pas la machine.
- Si les pièces sont endommagées ou manquantes, communiquez avec le centre de service.

1. Ouvrez l'emballage.
2. Lisez la documentation contenue dans la boîte.
3. Retirez la machine de sa boîte.
4. Jetez la boîte et l'emballage en respectant les règlements locaux.

#### 11.1.1 AJOUTEZ LE LUBRIFIANT DE GUIDE-CHAÎNE ET CHAÎNE

Vérifiez la quantité d'huile dans la machine. Si le niveau de lubrifiant est bas, ajoutez le lubrifiant du guide-chaîne et chaîne comme suit.

#### i IMPORTANT

Utilisez du lubrifiant pour guide-chaîne et chaîne qui ne convient qu'aux chaînes et aux huileurs de chaîne.

#### i REMARQUE

La machine sort de l'usine sans lubrifiant pour le guide-chaîne et la chaîne.

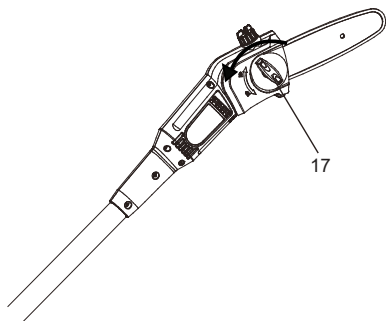
1. Desserrez et retirez le bouchon du réservoir d'huile.
2. Versez de l'huile dans le réservoir d'huile.
3. Surveillez l'indicateur d'huile pour vous assurer qu'il n'y a pas de saleté dans le réservoir d'huile pendant que vous ajoutez l'huile.
4. Placez le capuchon d'huile.
5. Serrez le capuchon d'huile.
6. La durée de vie du réservoir d'huile est d'environ 20 à 40 minutes.

#### i IMPORTANT

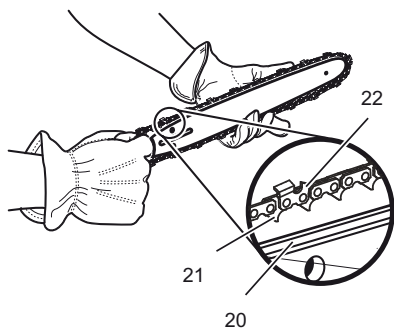
N'utilisez pas une huile sale, usagée ou contaminée. Le guide ou la chaîne peut être endommagé.

#### 11.1.2 ASSEMBLAGE DU GUIDE-CHAÎNE ET DE LA CHAÎNE

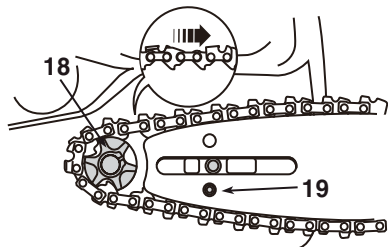
1. Dévissez le couvre-chaîne (17) en effectuant un tour complet dans le sens contraire des aiguilles d'une montre.
2. Retirez le couvre-chaîne.



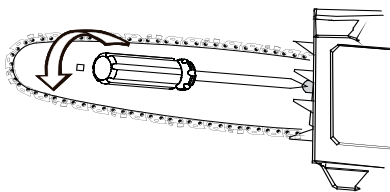
3. Placez les maillons d'entraînement de la chaîne (21) dans la rainure du guide-chaîne (20).
4. Placez les dents de la chaîne (22) dans le sens de la marche de la chaîne.
5. Mettez la chaîne en place et assurez-vous que la boucle est derrière le guide-chaîne.



6. Maintenez la chaîne en place et le guide-chaîne.
7. Placez la boucle de la chaîne autour du pignon (18).
8. Assurez-vous que le trou de la goupille de tension (19) de la chaîne sur le guide-chaîne s'ajuste correctement avec le boulon.



9. Installez le couvre-chaîne.
10. Serrez la chaîne. Reportez-vous à la section *Réglage de la tension de la chaîne*.

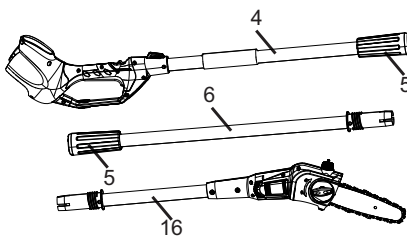


11. Serrez le bouton du couvre-chaîne lorsque la chaîne est bien tendue.

## REMARQUE

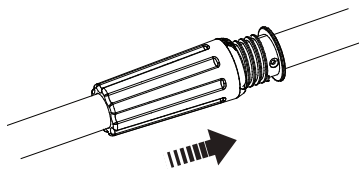
Si vous démarrez la tronçonneuse avec une nouvelle chaîne, faites un test pendant 2-3 minutes. Les chaînes neuves ont tendance à s'étirer après la première utilisation. Vérifiez fréquemment la tension de la chaîne et ajustez-la au besoin.

### 11.1.3 MONTEZ LA SCIE À LONG MANCHE



1. Installez la tête de la scie à long manche (16) sur la poignée de la scie à long manche (4) pour obtenir la longueur standard.
2. Faites glisser le collier (5) vers le haut.
3. Tournez le collier dans le sens des aiguilles d'une montre pour le serrer.

### 11.1.4 EXTENSION DE LA SCIE À LONG MANCHE



1. Installez la rallonge entre la poignée de la scie à long manche et la tête de la scie à long manche pour obtenir la longueur maximale.
2. Faites glisser les colliers vers le haut.
3. Tournez les colliers dans le sens des aiguilles d'une montre pour les serrer.

## AVERTISSEMENT

Vérifiez périodiquement le serrage de la connexion des colliers.

## 11.1.5 MONTEZ LA TÊTE DE TAILLE-HAIE



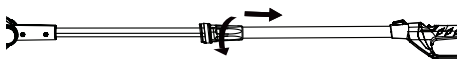
La tête de taille-haie peut être montée directement dans la rallonge de la poignée afin d'obtenir la longueur standard.

1. Insérez la poignée arrière dans la tête de la taille-haie.
2. Faites glisser le coupleur et tournez-le jusqu'à ce qu'il soit complètement serré.

### ▲ AVERTISSEMENT

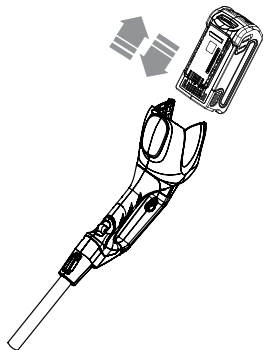
Vérifiez périodiquement les connexions pour vous assurer qu'elles sont bien serrées.

## 11.1.6 DÉMONTÉZ LA TÊTE DE TAILLE-HAIE



1. Posez la machine sur le sol.
2. Desserrez le coupleur.
3. Démontez la tête de taille-haie.

## 11.1.7 INSTALLEZ LE BLOC-BATTERIE



### ▲ AVERTISSEMENT

- Si le bloc-batterie ou le chargeur est endommagé, remplacez-le, au besoin.
- Arrêtez la machine et attendez que le moteur s'arrête avant d'installer ou de retirer le bloc-batterie.
- Lisez et comprenez les instructions du manuel du bloc-batterie et du chargeur.

1. Alignez les languettes du bloc-batterie avec les rainures du compartiment de batterie.
2. Poussez le bloc-batterie dans le compartiment de batterie jusqu'à ce qu'il soit bien encliqueté.

3. Vous devriez entendre un clic lorsque le bloc-batterie sera inséré correctement.

## 11.1.8 RETIREZ LE BLOC-BATTERIE

1. Poussez et maintenez enfoncé le bouton de déblocage de la batterie.
2. Retirez le bloc-batterie de la machine.

## 12 UTILISATION

### ▲ AVERTISSEMENT

Ne manipulez pas le Bloc-batterie, l'interrupteur ou la machine avec les mains mouillées. N'exposez pas à la pluie et ne laissez pas le liquide pénétrer dans le compartiment moteur.

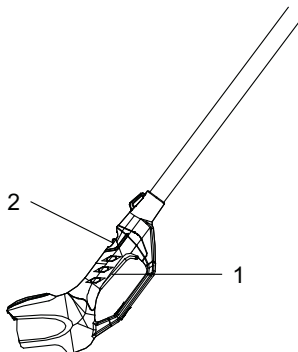
## 12.1 EXAMINEZ LA LUBRIFICATION DE LA CHAÎNE

### i REMARQUE

N'utilisez pas la machine sans quantité suffisante de lubrifiant de chaîne.

1. Vérifiez le niveau de lubrifiant de la machine à partir de l'indicateur d'huile.
2. Ajoutez le lubrifiant au besoin.

## 12.2 DÉMARREZ LA MACHINE



1. Tirez le bouton de verrouillage (2) avec le pouce vers l'arrière.
2. Appuyez en même temps sur la gâchette (1).

## 12.3 ARRÊTEZ LA MACHINE

1. Lâchez la gâchette pour arrêter la machine.

## 12.4 ÉBRANCHAGE D'UN ARBRE



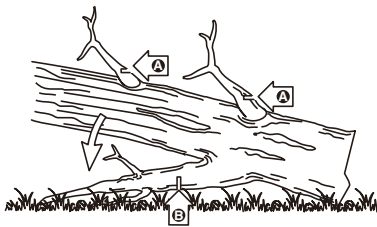
### ▲ AVERTISSEMENT

Assurez-vous qu'il n'y a rien ou que personne ne se trouve dans la zone où les branches tombent.

- Tenez-vous du côté opposé à la branche que vous allez couper.
- Commencez à couper les branches les plus hautes.
- Puis coupez les branches inférieures.
- Coupez vers le bas pour éviter le blocage du guide.

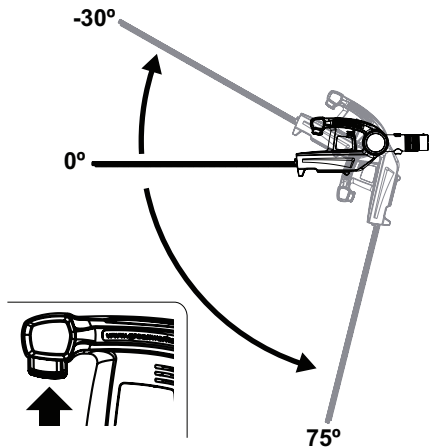
## 12.5 BRANCHES D'ARBRES

L'ébranchage consiste à enlever les branches d'un arbre tombé.



1. Laissez les grosses branches inférieures qui soutiennent l'arbre afin que ce dernier ne soit pas directement au sol pendant la coupe.
2. Coupez les petites branches en une seule coupe.
3. Coupez les branches sous tension à partir du bas.
4. Gardez les grosses branches inférieures comme support jusqu'à ce que la bûche soit ébranchée.

## 12.6 RÉGLEZ L'ANGLE DE LA TÊTE DE COUPE



La tête de coupe peut être bloquée en 7 positions.

1. Tirez sur le bouton de pivot et déplacez la tête vers l'avant ou vers l'arrière jusqu'à la position que vous voulez.
2. Relâchez le bouton de pivot.

### ▲ AVERTISSEMENT

La tête de coupe doit être solidement verrouillée en place.

## 12.7 CONSEILS D'UTILISATION (TAILLE-HAIE À LONG MANCHE)

- Commencez par tailler le dessus de la haie. Inclinez légèrement l'outil (jusqu'à 15° par rapport à la ligne de coupe) de sorte que les pointes de la lame pointent légèrement vers la haie. Cela causera une coupe plus efficace des lames. Tenez l'outil à l'angle désiré et déplacez-le régulièrement le long de la ligne de coupe. La lame à deux faces vous permet de couper dans les deux sens.
- Afin d'obtenir une coupe très droite, étirez un morceau de ficelle le long de la longueur de la haie à la hauteur désirée. Utilisez la ficelle comme ligne directrice, en coupant juste au-dessus.
- Afin d'obtenir des côtés plats, coupez vers le haut suivant la direction de la croissance. Les tiges plus jeunes se déplacent vers l'extérieur lorsque la lame coupe vers le bas, causant des trous vides dans la haie.
- Prenez soin d'éviter tout corps étranger. Évitez particulièrement les objets durs tels que les fils métalliques et les rampes, car ceux-ci pourraient endommager les lames.
- Huilez régulièrement les lames.

## ▲ AVERTISSEMENT

Éloignez vos mains de la lame pendant l'utilisation. Le contact avec la lame entraînera des blessures corporelles graves.

## 13 ENTRETIEN

### ▲ ATTENTION

Évitez que les liquides de freins, l'essence et les matériaux à base de pétrole ne viennent en contact avec les pièces en plastique. Les produits chimiques peuvent endommager le plastique et le rendre inutilisable.

### ▲ ATTENTION

N'utilisez pas de solvants ou de détergents puissants sur le boîtier ou les composants en plastique.

## ▲ AVERTISSEMENT

Retirez la batterie de la machine avant l'entretien.

### 13.1 RÉGLEZ LA TENSION DE LA CHAÎNE

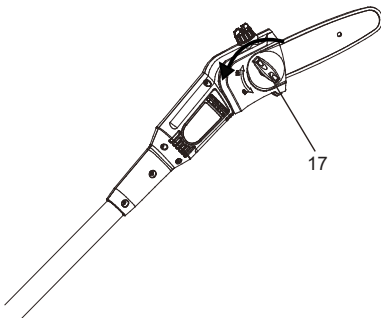
#### ▲ ATTENTION

Portez des gants de protection si vous touchez la chaîne, le guide-chaîne ou les zones autour de la chaîne.

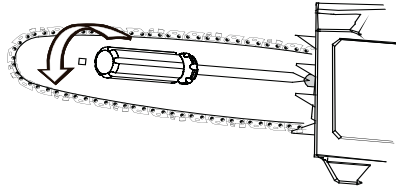
1. Dévissez le couvre-chaîne (17) en effectuant un tour complet dans le sens contraire des aiguilles d'une montre.

#### i REMARQUE

Il n'est pas nécessaire d'enlever le couvre-chaîne pour régler la tension de la chaîne.



2. Tournez la vis de tension de la chaîne derrière le guide-chaîne et la chaîne dans le sens des aiguilles d'une montre pour augmenter la tension de la chaîne.
3. Tournez la vis de tension de la chaîne dans le sens des aiguilles d'une montre pour réduire la tension de la chaîne.



4. Lorsque la chaîne est à la tension voulue, serrez le couvre-chaîne.

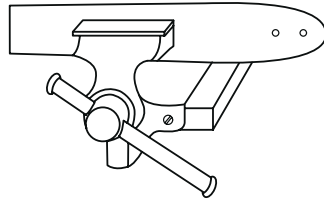
### 13.2 AFFUTEZ LES DENTS

Affûtez les couteaux si la chaîne ne s'enfonce pas facilement dans le bois.

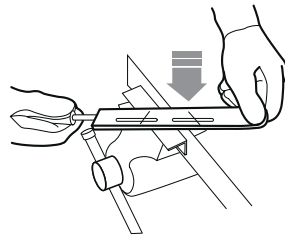
#### i REMARQUE

Nous recommandons un centre de service qui dispose d'aiguiseur de couteaux électrique et qui effectue les travaux d'affûtage importants.

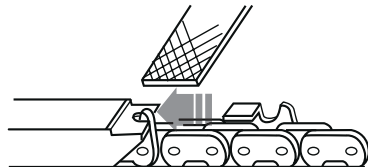
1. Réglage de la tension de la chaîne.

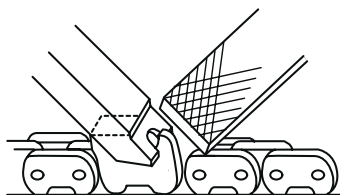


2. Utilisez une lime ronde de 5/32" (4 mm) de diamètre pour affûter les coins coupants.



3. Affûtez la plaque supérieure, la plaque latérale et la jauge de profondeur avec une lime plate.





4. Limez tous les couteaux aux angles spécifiés et à la même longueur.

## **i** REMARQUE

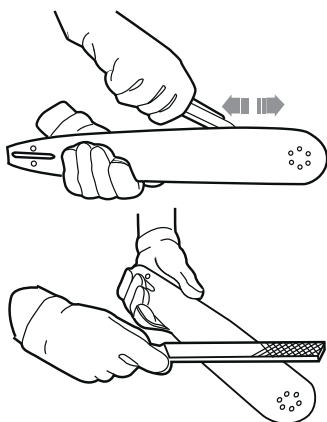
Pendant le processus,

- Maintenez la lime à plat avec la surface à affûter.
- Utilisez le point médian de la barre de fichier.
- Utilisez une pression légère mais ferme pour aiguiser la surface.
- Soulevez la lime à chaque coup de retour.
- Affûtez les couteaux d'un côté, puis passez de l'autre côté.

Remplacez la chaîne si :

- La longueur des bords tranchants est inférieure à 5 mm.
- Il y a trop d'espace entre les maillons d'entraînement et les rivets.
- La vitesse de coupe est lente
- Vous affûtez la chaîne plusieurs fois, mais cela n'augmente pas la vitesse de coupe. La chaîne est usée.

## 13.3 ENTRETIEN DU GUIDE-CHAÎNE



## **i** REMARQUE

Veillez à ce qu'il soit retourné périodiquement pour maintenir une usure symétrique du guide.

1. Lubrifiez les roulements du pignon de renvoi (si présent) avec la seringue (non fournie).
2. Nettoyez la rainure du guide à l'aide du crochet racleur (non fourni).
3. Nettoyez les trous de lubrification.
4. Enlevez les bavures sur les bords et nivelez les dents avec une lime plate.

Remplacez le guide si :

- la rainure n'est pas adaptée à la hauteur des maillons de la chaîne (qui ne doivent jamais toucher le fond).
- l'intérieur du guide-chaîne est usé et fait pencher la chaîne d'un côté.

## 13.4 NETTOYEZ LA MACHINE

### ▲ AVERTISSEMENT

Veillez à ce que la machine et le moteur soient exempts de feuilles, de branches ou d'huile excessive afin d'éviter tout risque d'incendie.

- Utilisez un chiffon humide et un détergent doux pour nettoyer la machine.
- Nettoyez toute l'humidité avec un chiffon doux et sec.
- Utilisez une petite brosse pour nettoyer les événements d'aération.

## 13.5 LUBRIFIEZ LA LAME (TAILLE-HAIE À LONG MANCHE)

Pour augmenter l'efficacité et la durée de vie des lames, lubrifiez-les soigneusement après chaque séance de travail :

- Placez la machine sur une surface plane et régulière.
- Utilisez un chiffon doux pour nettoyer les lames et une brosse pour enlever la saleté.
- Utilisez une légère couche d'huile pour lubrifier les lames le long du bord supérieur de la lame.

## **i** REMARQUE

Nous recommandons d'utiliser une huile non polluante.

## 14 ENTREPOSEZ LA MACHINE

### **i** REMARQUE

Nettoyez la machine avant de le stockage.

1. Retirez le bloc-batterie.
2. Laissez refroidir le moteur.
3. Vérifiez qu'il n'y a pas de pièces desserrées ou endommagées. Si nécessaire, remplacez les composants endommagés, serrez les vis et les boulons ou adressez-vous à une personne d'un centre de service agréé.
4. Entrez la machine dans un endroit frais et sec.

## 15 DÉPANNAGE

Problème	Cause possible	Solution
La machine ne démarre pas.	Les manches ne sont pas correctement assemblées.	Assemblez les manches selon les instructions.
	Le bouton de verrouillage et la gâchette ne sont pas enfoncés en même temps.	<ol style="list-style-type: none"> <li>Appuyez sur le bouton de verrouillage et maintenez-le enfoncé.</li> <li>Pendant que vous appuyez sur le bouton de verrouillage, tirez la gâchette.</li> <li>Relâchez le bouton de verrouillage pour démarrer la machine.</li> </ol>
Le guide et la chaîne s'échauffent et émettent de la fumée.	Le réservoir d'huile est vide.	Remplissez le réservoir d'huile.
	L'orifice de vidange est bloqué.	<ol style="list-style-type: none"> <li>Retirez le bloc-batterie.</li> <li>Enlevez la saleté de l'orifice de vidange.</li> </ol>
	L'ouverture d'entrée du réservoir d'huile intérieur est bloquée.	<ol style="list-style-type: none"> <li>Nettoyez le réservoir d'huile.</li> <li>Versez du lubrifiant propre du guide et de la chaîne.</li> </ol>
	Le pignon est coincé et obstrué par des débris.	<ol style="list-style-type: none"> <li>Nettoyez le pignon.</li> <li>Versez du lubrifiant propre du guide et de la chaîne.</li> </ol>
Le guide et la chaîne se réchauffent excessivement et ne peuvent plus couper.	La tension de la chaîne est trop serrée ou trop lâche.	Reportez-vous à la section Réglage de la tension de la chaîne dans le manuel.
	La chaîne est émoussée	Affûtez ou remplacez la chaîne.
	La chaîne est montée à l'envers.	Retirez la chaîne et tournez-la dans la bonne direction.

Problème	Cause possible	Solution
Le moteur tourne, mais la chaîne ne coupe pas correctement, ou le moteur s'arrête après environ 3 secondes.	Lorsque vous utilisez la machine sous charge, elle s'arrête.	<ol style="list-style-type: none"> <li>Relâchez la gâchette.</li> <li>Redémarrez la machine.</li> </ol>
	La chaîne n'est pas lubrifiée.	Lubrifiez la chaîne pour diminuer la friction.

## 16 DÉPANNAGE

Problème	Cause possible	Solution
Le moteur ne démarre pas lorsque vous appuyez sur la gâchette.	La batterie n'est pas correctement installée.	Assurez-vous que le bloc-batterie est correctement installé dans la machine.
	Le bloc-batterie est déchargé.	Rechargez le bloc-batterie.
La machine dégage de la fumée pendant le fonctionnement.	La machine est endommagée.	<ol style="list-style-type: none"> <li>Arrêtez la machine immédiatement.</li> <li>Retirez le bloc-batterie.</li> <li>Communiquez avec le centre de service.</li> </ol>
	Le moteur marche, mais les lames ne bougent pas.	N'utilisez pas la machine et communiquez avec le centre de service.
Le moteur marche, mais les lames ne bougent pas.	Les lames sont bloquées.	Retirez le bloc-batterie puis dégagez les lames de tout blocage.
	Les pièces sont desserrées.	<ol style="list-style-type: none"> <li>Arrêtez la machine.</li> <li>Retirez le bloc-batterie.</li> <li>Vérifiez qu'elle n'est pas endommagée.</li> <li>Vérifiez et serrez les pièces desserrées.</li> </ol>
Il y a trop de bruit et/ou de vibrations pendant le fonctionnement.	Les pièces sont desserrées.	<ol style="list-style-type: none"> <li>Arrêtez la machine.</li> <li>Retirez le bloc-batterie.</li> <li>Vérifiez qu'elle n'est pas endommagée.</li> <li>Vérifiez et serrez les pièces desserrées.</li> </ol>
	Les pièces sont endommagées.	N'utilisez pas la machine et communiquez avec le centre de service.

## 17 DONNÉES TECHNIQUES

Catégorie	Scie à long manche
Voltage	40V
Longueur du guide-chaîne	8" (203 mm)
Pas de chaîne	3/8" (9,5 mm)
Jauge de chaîne	0,050" (1,27 mm)
Capacité d'huile de chaîne	50 ml
Poids (sans batterie)	8,38 lb. (3,8 kg)
Chaîne	91PJ033X / CL15033X
Guide-chaîne	080NDEA318 / M1500833-1318TL
Catégorie	Taille-haie à long manche
Voltage	40V
Vitesse à vide	2800 (±10%) SPM
Longueur de la lame	20"
Capacité de coupe	1,1"
Poids (sans batterie)	9,57 lb. (4,3 kg)
Batterie (modèle)	29652 et autres séries BAF
Chargeur (modèle)	29692 et autres séries CAF

### La plage de température ambiante recommandée :

Article	Température
Plage de température d'entreposage de l'appareil	-4°F (-20°C) - 158°F (70°C)
Plage de température de fonctionnement de l'appareil	6,8°F (-14°C) - 104°F (40°C)
Plage de température de rechargement de la batterie	39°F (4°C) - 113°F (45°C)
Plage de température de fonctionnement du chargeur	39°F (4°C) - 113°F (45°C)
Plage de température d'entreposage de la batterie	32°F (0°C) - 73°F (23°C)
Plage de température de déchargement de la batterie	6,8°F (-14°C) - 113°F (45°C)

## 18 GARANTIE LIMITÉE



Greenworks garantit par la présente ce produit, à l'acheteur original avec preuve d'achat, pour une période de trois (3) ans contre tout défaut de matériaux, de pièces ou de main-d'œuvre. Greenworks, à sa propre discrétion, réparera ou remplacera toutes les pièces défectueuses, dans des conditions normales d'utilisation, sans frais pour le client. Cette garantie n'est valable que pour les appareils qui ont été utilisés à des fins personnelles, qui n'ont pas été loués à des fins industrielles ou commerciales et qui ont été entretenus conformément aux instructions du manuel du propriétaire fourni avec le produit neuf.

### ARTICLES NON COUVERTS PAR LA GARANTIE :

1. Toute pièce qui est devenue inopérante en raison d'une mauvaise utilisation, d'une utilisation commerciale, d'un abus, d'une négligence, d'un accident, d'un entretien inapproprié ou d'une modification ; ou
2. L'appareil, s'il n'a pas été utilisé et/ou entretenu conformément au manuel du propriétaire ; ou
3. Usure normale, sauf comme indiqué ci-dessous ;
4. Articles d'entretien courant tels que lubrifiants, affûtage des lames ;
5. Détérioration normale du fini extérieur due à l'utilisation ou à l'exposition.

### ASSISTANCE TÉLÉPHONIQUE :

Le service de garantie est disponible en appelant notre ligne d'assistance téléphonique sans frais, au 1-888-909-6757.

### FRAIS DE TRANSPORT :

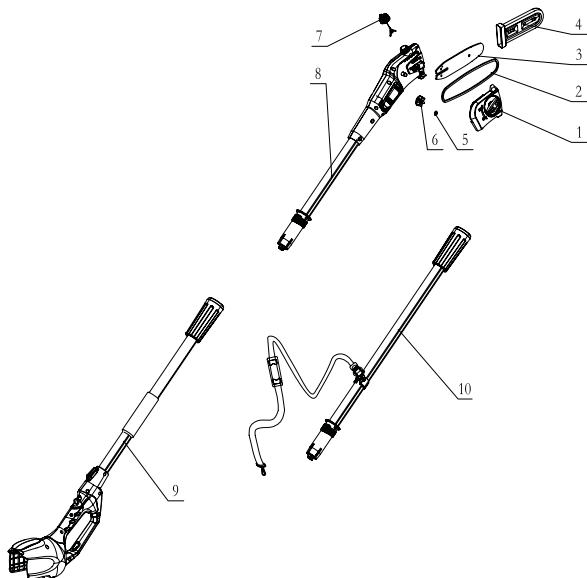
Les frais de transport pour le déplacement de tout équipement motorisé ou accessoire sont à la charge de l'acheteur. Il incombe à l'acheteur de payer les frais de transport pour toute pièce retournée pour remplacement en vertu de la présente garantie, à moins qu'un tel retour soit demandé par écrit par Greenworks.

### ADRESSE AU CANADA :

Greenworks Tools Canada Inc.  
1110 Promenade Stellar bureau 102  
Newmarket, ON, L3Y 7B7

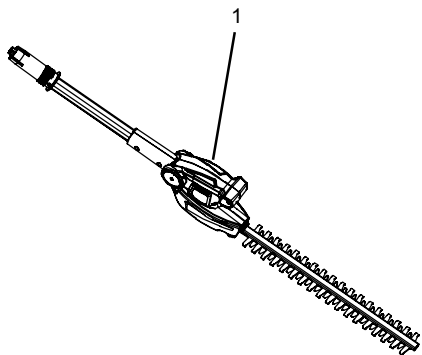
## 19 VUE ÉCLATÉES

FR



No	No de pièce	Qté	Description
1	31111258	1	Ensemble du couvercle latéral
2	32901320	1	Chaîne
3	32902320-7	1	Guide-chaîne
4	34112320-2	1	Fourreau
5	3290875	1	Ressort
6	33902102-2	1	Pignon
7	31112258	1	Bouchon du réservoir d'huile
8	31113258	1	Ensemble du manche supérieur
9	31103258	1	Ensemble de la poignée
10	31102257	1	Ensemble du manche du milieu

## 20 VUE ÉCLATÉES



No	No de pièce	Qté	Description
1	31101258	1	Ensemble de la tête de taille-haie





