

FURRION

2-in-1 Range Oven

Four de cuisinière 2 en 1

Cocina con horno y anafe 2 en 1

Instruction Manual

Manuel d'instructions

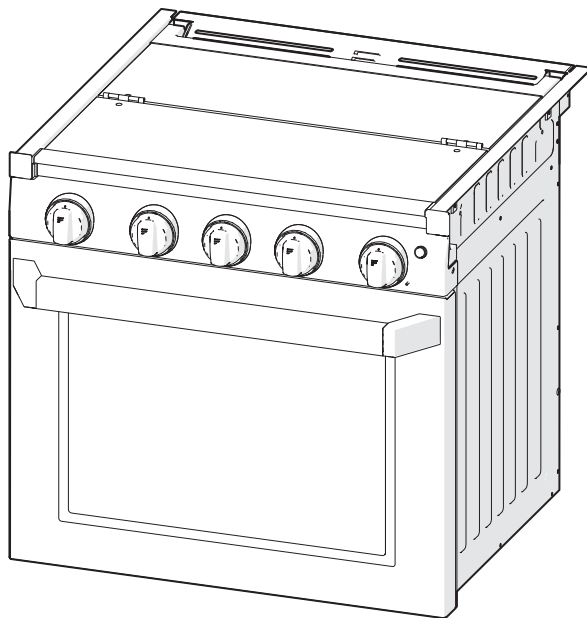
Manual de instrucciones

Model/Modèle/Modelo:

FS17WB4A-BL/FS21DB4A-BL

FS17DB4A-SS/FS17WB4A-SS

FS21DB4A-SS/FS17DB4A-BL



* Picture shown here is for reference only.

* L'image montrée ici est pour référence seulement.

* La imagen que se muestra aquí es sólo para referencia.

Thank you for purchasing this Furrion® product. Before operating your new appliance, please read these instructions carefully. This instruction manual contains information for safe use, installation and maintenance of the appliance.

Please keep this instruction manual in a safe place for future reference. This will ensure safe use and reduce the risk of injury. Be sure to pass on this manual to new owners of this appliance.

The manufacturer does not accept responsibility for any damages due to not observing these instructions.

WARNING: If the information in this manual is not followed exactly, a fire or explosion may result causing property damage, personal injury or death.

- **Do not store or use gasoline or other flammable vapors and liquids in the vicinity of this or any appliance.**
- **WHAT TO DO IF YOU SMELL GAS:**
 - **Do not try to light any appliances.**
 - **Do not touch any electrical switches.**
 - **Do not use any phone in your recreational vehicle.**
 - **Clear the recreational vehicle of all occupants.**
 - **Turn off the LP container valve or main container.**
 - **Immediately call your gas supplier for instructions.**
 - **If you cannot reach your gas supplier, call the fire department.**
- **Have the gas system checked and leakage source corrected by a qualified installer, service agency, manufacturer, dealer or the gas supplier.**

Table of Contents

Table of Contents	3
Explanation of Symbols	4
Important Safety Instructions	4
General Safety Warnings	4
Cooktop Safety Warnings.....	5
Oven Safety Warnings.....	6
Product Overview	6
Installation	7
What's in the Box.....	7
Cabinet Cutout Instructions.....	7
Oven Installation.....	8
Gas Connection	8
Electrical Connection	9
Glass Cover Replacement.....	9
Leak Check.....	10
Operation	10
Lighting the Cooktop	10
Turning Off Cooktop.....	12
Lighting the Oven	12
Turning Off the Oven.....	12
The Burner Flame.....	13
Light Control	13
Slow Cooking	13
Cooking Advice	13
Preheating.....	13
Baking Cakes.....	13
Cooking Pizza.....	13
Cooking Fish and Meat	14
Cleaning and Maintenance	14
The Oven Door.....	15
Replacing an Oven Light	16
Replacing the Control Knob LED	16
Storage	17
Troubleshooting	17
Specification	17

Explanation of Symbols

This manual has safety information and instructions to help you eliminate or reduce the risk of accidents and injuries. Always respect all safety warnings identified with these symbols. A signal word will identify safety messages and property damage messages, and will indicate the degree or level of hazard seriousness.

DANGER

Indicates an imminently hazardous situation which, if not avoided, will result in death or serious injury.

WARNING

Indicates a potentially hazardous situation which, if not avoided, could result in death or serious injury.

CAUTION

Indicates a potentially hazardous situation which, if not avoided, may result in minor or moderate personal injury, or property damage.

Important Safety Instructions

Warning and important safety instructions appearing in this guide are not meant to cover all possible conditions and situations that may occur. Common sense, caution, and care must be exercised when installing, maintaining, or operating the appliance.

Always contact the manufacturer about problems or conditions you do not understand.

Read and follow all instructions before using this appliance to prevent the potential risk of fire, electric shock, personal injury or damage to the appliance as a result of improper usage of the appliance. Use appliance only for its intended purpose as described in this guide.

If an external electrical source is utilized, the appliance must be electrically grounded in accordance with state or other codes or, in the absence of such codes, with the National Electrical Code, ANSI/NFPA 70. Do not attempt to adjust, repair, service or replace any part of your appliance unless it is specifically recommended in this guide. All other servicing should be referred to a qualified service technician.

General Safety Warnings

WARNING

- Improper installation, adjustment, service or maintenance can cause injury, property damage or death. Refer to this manual. For assistance or additional information, consult a qualified installer, service agency, manufacturer or the gas supplier.
- Avoid using your appliance or any other appliance if you smell gas. Do not assume that the smell of gas in your RV is normal. Any time you detect the odor of gas, it is to be considered life threatening and corrected immediately. Extinguish any open flames including cigarettes and evacuate all persons from the vehicle. Shut off gas supply at LP gas bottle.
- If the user of this appliance fails to maintain it in the condition in which it was shipped from the factory or if the appliance is not used solely for its intended purpose or if appliance is not maintained in accordance with the

instructions in this manual, then the risk of a fire and/or the production of carbon monoxide exists which can cause personal injury, property damage or loss of life.

WARNING

EXPLOSION OR FIRE

- Shut off all gas appliances and pilot lights when refueling gasoline tanks, LP tanks or when vehicle is in motion.
- Furrion gas operated cooking appliances are for use with LP gas only, and for installation in recreation vehicles only (e.g. travel trailers, motor homes, tent campers, etc.).

WARNING

CARBON MONOXIDE POISONING

- DO NOT use this appliance for warming or heating vehicle. You could be burned or injured, a fire could start, or deplete oxygen in the vehicle.
- A window or air vent should be open slightly while using any cooking appliance. Gas flames consume oxygen which must be replaced to assure proper combustion.
- DO NOT store or use gasoline or other flammable vapors and liquids in the vicinity of this or any other appliance.
- DO NOT operate the appliance if it is damaged or not working properly.
- Never attempt to repair the appliance yourself. Any repairs to or installation of this appliance must be performed by a qualified installer, service agency or the gas supplier and in accordance with the instructions in this manual. Service of your appliance by a non-approved service person or agency could result in failure of the integrity of the appliance and could lead to property damage, serious injury or loss of life.
- Have your dealer show you where the main gas shut-off valve is located and how to shut it off in an emergency.
- Use your appliance only for its intended use.
- Children should be taught that the appliance is not a toy. They should not be allowed to play with the controls or

any other parts of the appliance. Do not allow anyone to stand or sit on top of the appliance. Not only can this damage the appliance, but personal injuries could result.

- Do not store items of interest to children in cabinets above or near the appliance. Children climbing on the appliance to reach items could be seriously injured.
- All control knobs must be turned off when not in use. Fire and/or burning hazard may occur if a burner is accidentally left on.
- If any burner should extinguish (after initially lighting or due to accidental blow-out), turn all burner knobs off and wait five (5) minutes before again attempting to light the burner.
- DO NOT store flammable materials on, in, or near the appliance. Any fumes can create an explosion and/or fire hazard.
- Do not wear loose fitting clothing or long-hanging sleeved clothing while using the appliance. If they contact the open flame of the burner, they could ignite and cause severe burns.
- Use only dry potholders to remove hot utensils. Using damp potholders on hot surfaces could result in burns to hands. Do not use a towel or bulky cloth for a pot holder. The cloth could contact open flame and catch fire.
- Never heat an unopened container. Pressure build-up within the container can cause it to explode.
- Do not use water on grease fires. Never pick-up a flaming pan. Smother a flaming pan with a lid or flat pan. Flaming grease outside the pan can be extinguished with baking soda or a multipurpose dry chemical fire extinguisher.
- This appliance is intended to be built-in to a cabinet structure only and is not intended for attachment to the building structure.

Cooktop Safety Warnings

- Do not place pans onto glass surface. Raise cover into full open position before operating burners. Let cooktop cool before closing glass cover.
- If the cooktop is near a window, proper precautions should be taken to prevent curtains from blowing over burners creating a fire hazard.
- Keep the area around the cooktop clean and clear of any combustible materials, gasoline or other flammable vapors and liquids. Not doing so can cause an explosion and/or fire.
- Do not leave children alone or unsupervised in area where cooktop is being used. The top burners, burner grates and other areas near the burners become hot enough to cause severe burns.
- Keep the cooktop clean. The build-up of grease and food boil-over and/or spillage can create a fire hazard.
- Turn pan handles inward or toward back of cooktop and out of the way of people walking past cooktop and/or out of the reach of children. Do not turn handles to where they are over the burners.
- Never leave top burner(s) unattended.
 - For such reasons as down drafts that could be created by opening and closing of cabinet doors or doors within the RV or by positive or negative air pressures affecting burners due to improper installation. (See Installation section) The burner could extinguish

resulting in gas escaping into the RV. Remember, gas flow to each burner is controlled manually, you must turn gas flow "ON" and "OFF".

- A boil over could occur and the spill could ignite.
- Flame size
 - Never extend the flame beyond the outer edge of the utensil. A higher flame simply wastes heat and energy.
 - Correct flame size is determined by utensil size and material, what you are cooking and whether or not you are cooking with liquid.



- To prevent damage to the cooktop, top burners, or top grate, never operate a top burner without a pan in place. The top burners, especially the high input burner, should not be operated on high for an extended period of time. The high setting should be used only to start the food cooking or to bring liquids to a boil, then reduce the flame to a lower setting to continue cooking. Use the low flame setting to keep food warm. Remember, a gas range heats quicker than an electric range, therefore, experiment with various settings until you feel comfortable cooking with gas.
- Never use cookware which extends beyond one inch of the grate (maximum pan size 10" diameter). Never place cooking utensil on grate to where it rests over two operating top burners. This will cause excessive heat buildup, which could result in damage to the grate, top burner(s) and cooktop.
- Verify sufficient gas supply before attempting to light any top burner. Air in the gas supply line will significantly delay burner ignition, and a burner may light unexpectedly as the air in the line clears out and is replaced by LP gas, this unexpected ignition may burn you. Air may be introduced into the supply line when the vehicle gas bottle is replaced, during servicing of other gas appliances, etc.
- DO NOT touch top burners, burner grates, or other areas near top burners during and after use. Do not let clothing or other flammable materials to contact top burners or areas near top burners until they have had sufficient time to cool.
- Make sure the utensils you use are large enough to contain food and avoid boil overs and spillovers. Heavy splattering or spillovers left on the cooktop can ignite and burn you.
- Be sure that glass cooking utensils are safe for use on the cooktop. Only certain kinds of glass utensils are suitable for surface or top burner use without breaking due to the sudden changes in temperature.
- Grease is flammable. Never allow grease to collect around top burners or on cooktop surface. Wipe spillovers immediately.
- Use care when lighting a top burner by hand. If the burner lights unexpectedly, or your hand is close to the burner, you may be burned.
- DO NOT drop pans on the porcelain surface. Cracks or chips in the porcelain surface may result.
- DO NOT leave an empty utensil, or one which has boiled

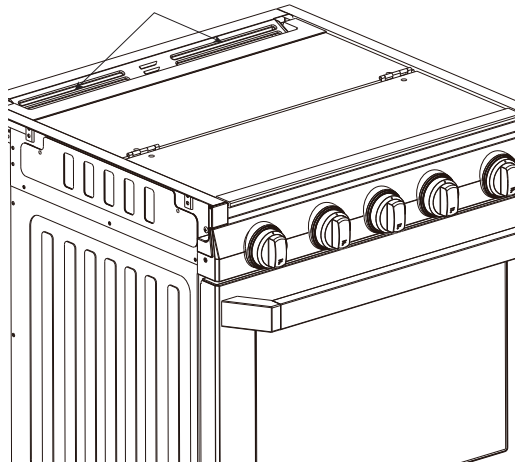
dry, on a hot top burner. The utensil could overheat and damage the utensil or the cooking appliance.

- escape before removing or replacing food.
- Do not cover the oven vent openings whenever oven is being used. Covering the vents restricts the flow of combustion air to the oven burner and could cause poor combustion and the formation of carbon monoxide.

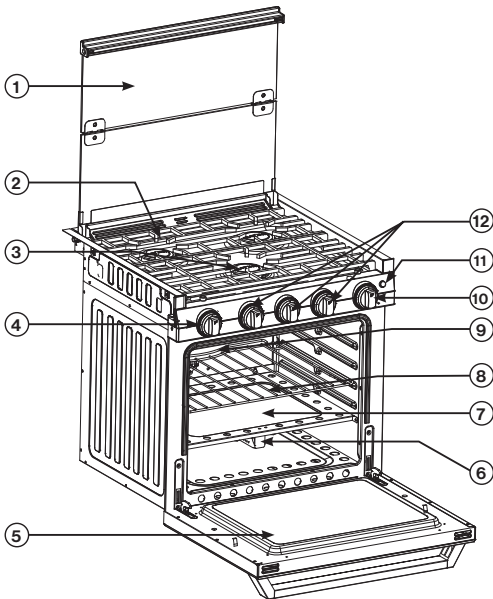
Oven Safety Warnings

- DO NOT touch any inner surfaces of the oven or oven door, or the wire rack inside, or any utensils inside the oven during and after use until these areas have had sufficient time to cool. You could be burned or injured. During and after use, do not let clothing or other flammable materials contact these areas until they have had sufficient time to cool.
- DO NOT touch the outer surface of the oven door or the oven vent while the oven is in use. These areas may become hot enough to cause burns. During and after use, do not let clothing or other flammable materials contact these areas until they have had sufficient time to cool.
- DO NOT cover the ventilation holes in the Flame Spreader Rack (shelf above oven burner). The air circulation inside the oven will be interrupted and cooking times will vary from normal, food may be burned or undercooked.
- DO NOT use oven as a storage area.
- If oven pilot should extinguish after initial lighting or due to accidental blowout, turn oven knob off and wait five (5) minutes before again attempting to light oven.
- Always place oven racks in desired location while oven is cool. If rack must be moved while oven is hot, do not let potholder contact hot heating element in oven.
- Use care when opening the oven door, let hot air or steam

Oven Vent



Product Overview



①	Glass Cover
②	Grate
③	Cooktop Burner
④	Ignition Knob
⑤	Oven Door
⑥	Oven Burner
⑦	Flame Spreader Rack
⑧	Cooking Rack
⑨	Oven Light
⑩	Oven Control Knob
⑪	Light Switch
⑫	Top Burner Control Knobs

Installation

⚠ WARNING

FIRE, EXPLOSION, BURN INJURY CARBON MONOXIDE POISONING

- The cooking appliance must be completely separated and/or sealed from other air moving or air consuming devices such as, but not limited to furnaces, microwave ovens clothes dryers, cooling fans and doors or drawers in common cabinets. Failure to do so will affect the appliance(s) combustion air supply by creating either a negative or positive draft.
- NEGATIVE DRAFT caused by air moving appliances may draw the top burner flame down into or toward the cooktop resulting in cooktop damage, burn hazard, explosion possibility and/or carbon monoxide build up.
- POSITIVE DRAFT may blow out the top burner flame during use resulting in an explosion and/or fire hazard and/or injury to the occupants of the vehicle.
- DO NOT operate the appliance in excessive windy conditions as this may cause a negative or positive draft.

⚠ WARNING

Installation of this appliance must be made in accordance with the written instructions provided in this manual. No agent, representative or employee of Furrion or other persons has the authority to change, modify or waive any provision of the instructions contained in this manual.

The installation must conform with local codes or in the absence of such codes, refer to the latest edition of:

In the U.S.A.:

- a. Standard for Recreational Vehicles NFPA 1192
- b. National Fuel Gas Code ANSI Z223.1/NFPA 54

In Canada, the installation must conform with:

- a. Standard CAN/CSA Z-240.4.2-08, Installation Requirements for Propane Appliances and Equipment in Recreational Vehicles.
- b. Any applicable local codes and regulations

What's in the Box

Make sure you have all the following items included in the packaging. If any item is damaged or missing, contact your dealer.

- Range Oven x 1
- Cooktop Grate x 2
- Cooking Rack x 1
- Instruction Manual x 1
- Warranty Manual x 1

Cabinet Cutout Instructions

For proper operation of your cooking appliance, the cabinets must be properly constructed and squared with respect to the counter top and the cabinet face.

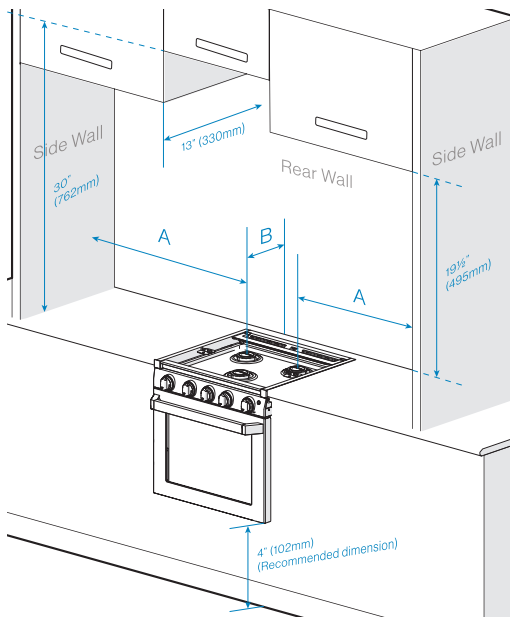
For proper operation of these units, the cabinet must be level and the bottom of the range must be supported.

NOTES: When planning the location, consider curtains or other combustible materials installed around the appliance so as not to create a fire hazard.

The minimum horizontal distance(s) from sides and back of appliance to adjacent vertical combustible walls extending above the top panel:

Item	Dimension
A	7¼" Min. (184mm Min.)
B	8" Min. (203mm Min.)

NOTE: These distances shall be from the burner center of the appliance.



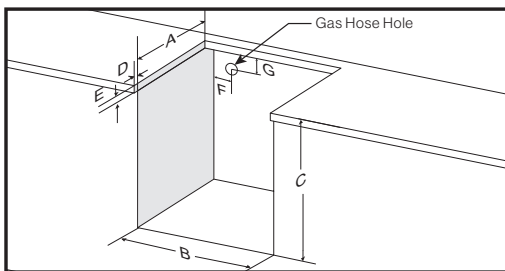
⚠ WARNING

The minimum vertical distance to combustibile material above the range cooking top is 30" (762mm), provided the overhead construction does not extend 13" (330 mm) from the rear wall. The recommended distance between the floor and the bottom of the cutout opening is 4" (102mm).

NOTE: If installing a range hood or microwave hood combination above the cooking surface, follow the range hood or microwave hood combination installation instructions for dimensional clearances above the cooktop surface.

Cabinet and counter cutout dimensions:

Item	Model	
	17" RV Range	21" RV Range
A	17 $\frac{3}{4}$ "(451mm)	17 $\frac{3}{4}$ "(451mm)
B	20 $\frac{1}{8}$ "(511mm)	20 $\frac{1}{8}$ "(511mm)
C	16 $\frac{1}{8}$ "(410mm)	20 $\frac{1}{8}$ "(510mm)
D	1 $\frac{5}{16}$ "(23mm) max.	1 $\frac{5}{16}$ "(23mm) max.
E	1 $\frac{1}{2}$ "(38mm) max.	1 $\frac{1}{2}$ "(38mm) max.
F	4 $\frac{5}{16}$ "(110mm)	4 $\frac{5}{16}$ "(110mm)
G	3 $\frac{9}{16}$ "(90mm)	3 $\frac{9}{16}$ "(90mm)



Oven Installation

When the cabinet has been prepared according to the dimensions given and the gas line is in place.

1. Take your range oven out of the carton and place on a flat surface. Remove the packing materials.
2. Hold the baffle and pull upward to release the top glass cover assembly from the oven. (Fig. 1)

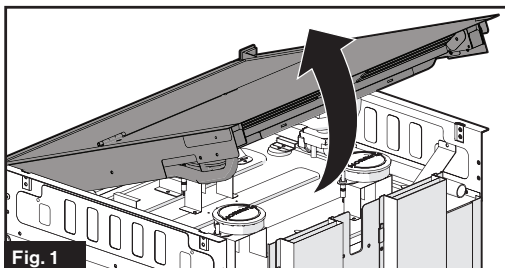


Fig. 1

3. Push towards the rear of the oven and lift to remove to remove the top glass cover from the oven. (Fig. 2)

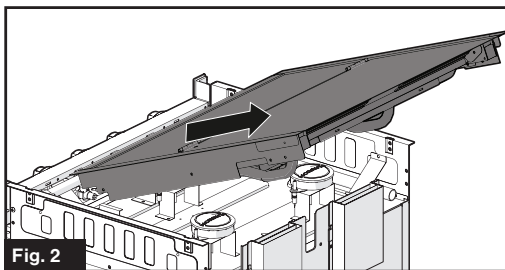


Fig. 2

4. Slide the range oven into the cabinet opening. Verify that the oven is level from side to side and front to rear. (Fig. 3)

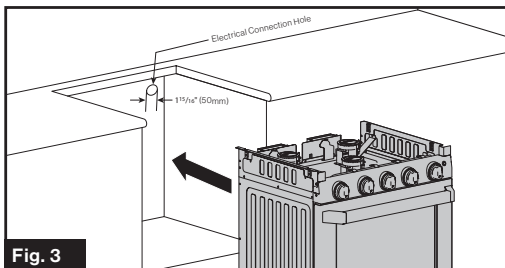


Fig. 3

5. Fix the range oven in the cabinet opening on both left and right using four self-tapping screws on both left and right (2 screws each side). (Fig. 4)

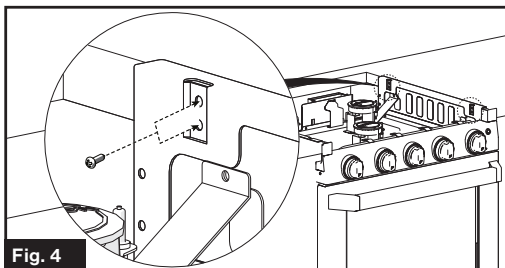


Fig. 4

Gas Connection

⚠ WARNING

Gas supply pipe must be installed with clearance from knives contacting or cutting gas lines.

Connect a propane supply line with a $\frac{3}{8}$ " Flare Female connection to the cooktop in the upper left rear corner of the cabinet. (Fig. 5) Tighten the gas line joint to the cooktop using 2 wrenches.

IMPORTANT: Leave adequate space around the gas supply pipe in case of bend or damage during installation. Make sure the gas supply pipe cannot contact any moving parts after installed. Be sure all openings in the cabinets around the gas line are sealed at time of installation.

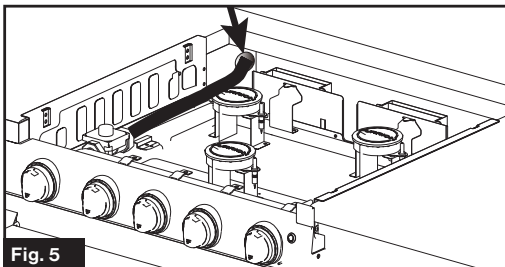


Fig. 5

Pressure Check

1. Turn LP gas off to the appliance.
2. Remove the Screw with the sealing gasket from the pressure test port on the range. (Fig. 6)

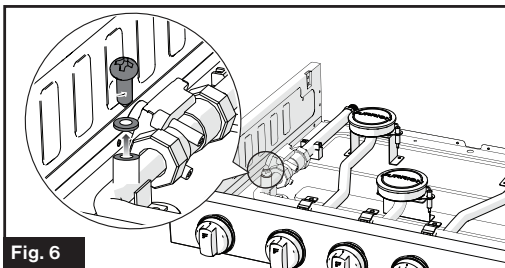


Fig. 6

3. Using the rubber tube from the pressure check measuring device, slide the rubber tube down over the gas pressure test port. The rubber tube should seal around the pressure test port on the range.
4. Turn on the LP gas to the appliance.
5. The pressure gauge tester should measure between 10" WC to 13.8" WC. (Fig. 7)

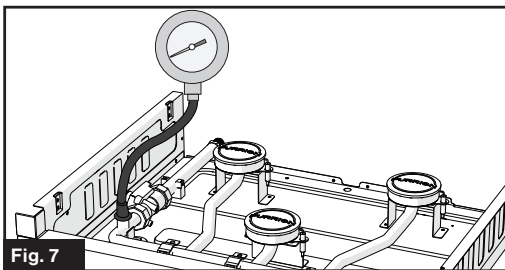


Fig. 7

6. Turn off the LP gas to the appliance.
7. Remove the rubber tube of the pressure check measuring device.
8. Replace the screw with the gasket from step 2. Before replacing the screw, inspect the rubber gasket seal for any signs of damage. Replace seal if damaged.
9. Tighten the screw to 1.3 Nm to 1.7 Nm.

NOTE: Ensure the product is gas leak checked after the pressure check test is completed by also testing the pressure check port screw. If any leaks are detected around the pressure check port screw and gasket, a new one can be purchased. Call Furron support for a replacement.

Electrical Connection

⚠ CAUTION

PRODUCT DAMAGE HAZARD

- Connect to 12V DC service only.
- Connect only to protected circuit fused for not more than 15 Amps.
- DO NOT hi-pot range unless electronic ignition system has been disconnected.

Connect a positive 12V power supply wire to the range oven black 12V light wire and a negative 12V power supply wire to the range oven white 12V light wire. (Fig. 8)

NOTE: Ensure to connect the wires with the correct polarity. Black is "+" and White is "-".

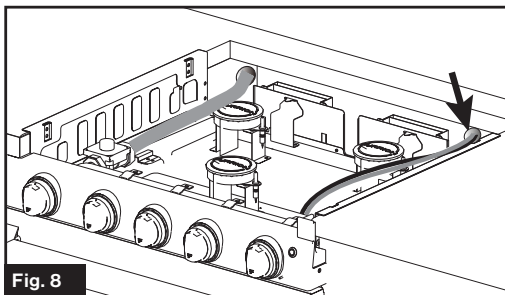
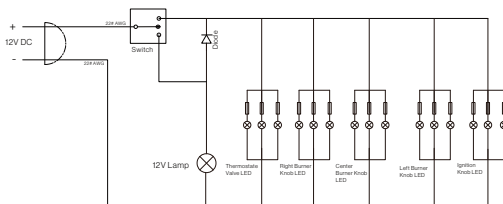


Fig. 8



Wiring Diagram

Glass Cover Replacement

1. Align the top glass cover assembly tabs x 2 with the slots on the back side of the console and place it into the top of the range cooktop. (Fig. 9)

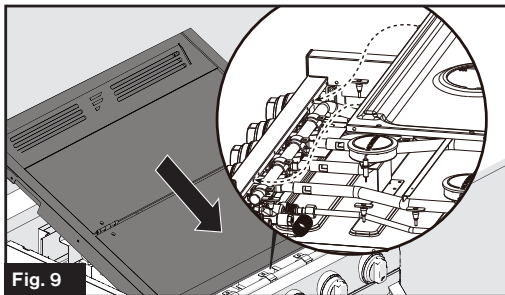


Fig. 9

2. Press the backside of the top glass cover and you will hear a click noise. The top glass cover is now locked into place. (Fig. 10 and Fig. 11)

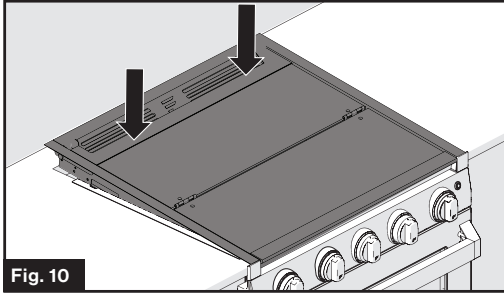


Fig. 10

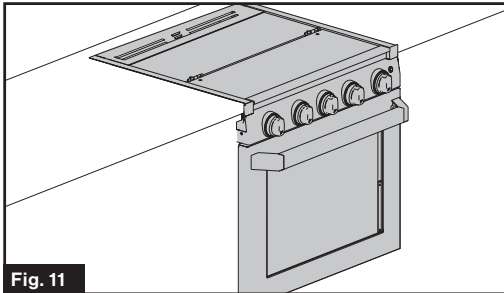


Fig. 11

Leak Check

⚠ WARNING

FIRE OR EXPLOSION

- Extinguish all open flames.
- NEVER leak test when smoking. Never use a flame.
- Do not use the appliance until connection has been leak tested and does not leak.
- Pressure/Leak test using 11-13.8 WC pressure.

⚠ WARNING

- Gas leaks may occur in your system and result in a dangerous situation. Always perform a leak test for possible leaks according to the manufacturer's instructions after installation and before any operation.
- Gas leaks may not be detected by smell alone. Gas suppliers recommend you purchase and install a UL approved gas detector.

1. Make sure all control knobs are in the **OFF** position.
2. Apply a gas leak detection liquid to the connections. Any gas leaks will be indicated by bubbles.
3. If a gas leak is detected, tighten the loose joint, or replace the faulty part with a replacement part recommended by Furrion authorized retailer.

Operation

⚠ WARNING

Keep your arms and face away from being directly above the cooking area while in operating the appliance.

⚠ DANGER

- The top glass cover must be kept open when lighting and using the cooktop.
- Do not attempt to light more than one burner at a time.

Lighting the Cooktop

Before lighting, check and make sure all the control knobs are in the **OFF** position. Make sure the main gas tank valve is opened.

Standard Ignition

1. Lift to open the cooktop glass cover. (Fig. 12) The top glass cover must be kept open when lighting and using the cooktop.

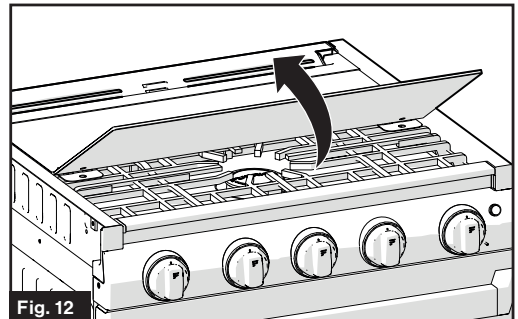


Fig. 12

2. Push and turn the appropriate burner control knob counterclockwise to the  position. (Fig. 13)

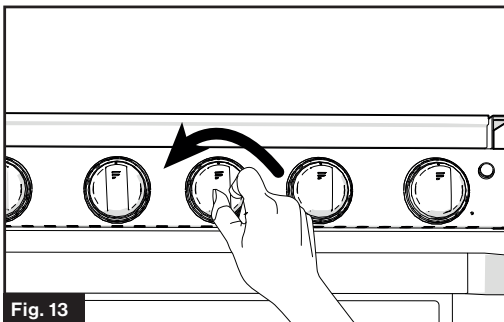


Fig. 13

3. Keep the burner control knob pushed in and turn the ignition knob clockwise repeatedly until the burner is lit. (Fig. 14)

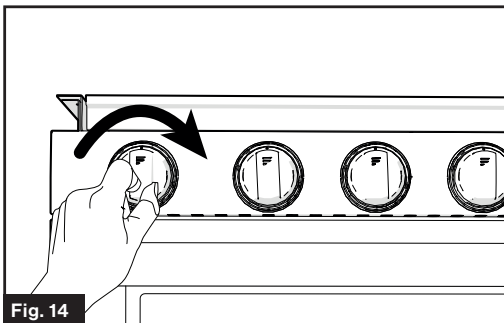


Fig. 14

4. Once the cooktop burner is lit, keep the ignition button pushed in for about 5 seconds until the flame becomes steady.
5. Rotate the burner control knob to adjust the flame to desired level.
6. Repeat steps 2 and 5 to light the other burner(s) as required.

If the burner does not ignite


In the event of failure to light the burner within 5 seconds, immediately turn the control knob clockwise to the **OFF** position. Wait at least 5 minutes and repeat the igniting procedure. If ignition still not occur, use a gas lighter or a match to light the burner. Refer to the 'Manual Ignition' section.

Manual Ignition

WARNING

Use care when lighting the burners by hand. If a burner lights unexpectedly, or your hand is too close to the burner, you could be burned.

In the event of failure to ignite the burner in standard ignition, you may light the burner manually by following the steps below:

1. Turn the appropriate burner control knob counterclockwise to the  position. (Fig. 15)

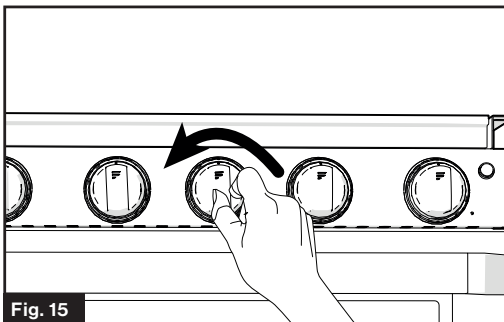


Fig. 15

2. Immediately strike and place a burning long wooden match or a gas lighter near the burner to light. (Fig. 16)

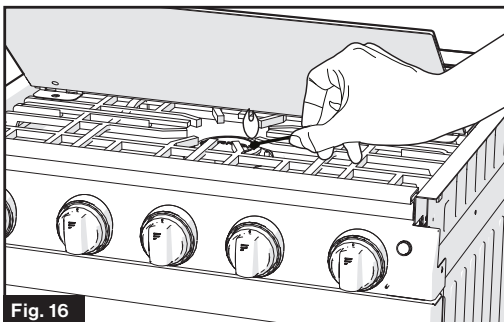


Fig. 16

3. Repeat steps 1 to 2 to light the other burner(s) as required
4. Rotate the burner control knob to adjust the flame to desired level. (Fig. 17)

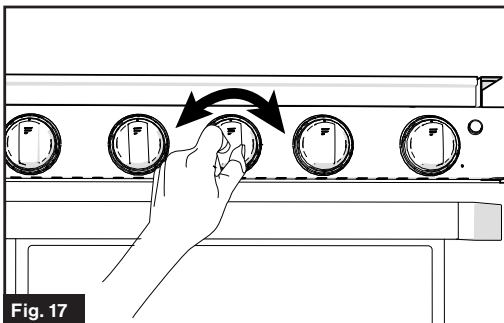


Fig. 17

If the Flame Goes Out

⚠ WARNING

Risk of Fire!

If the flame goes out accidentally, gas will escape. Never leave the gas burner unattended during operation. Ensure that there are no drafts that can affect the burner flame.

Immediately turn the control knob to **OFF** position. Wait at least 5 minutes and light the burner again.

Turning Off Cooktop

⚠ WARNING

Always turn off the gas tank valve when refueling or traveling.

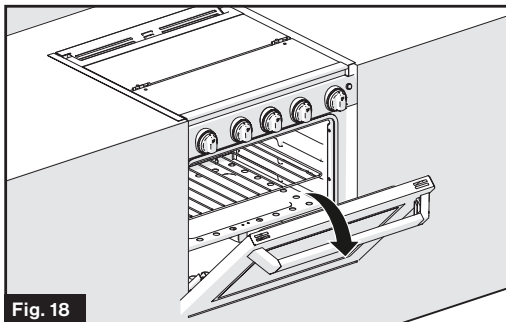
To turn the cooktop burners off, rotate the control knobs clockwise to the **OFF** position.

Lighting the Oven

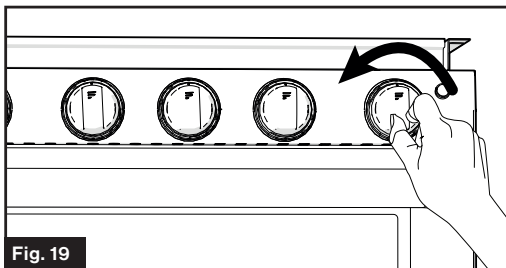
NOTE: Before the oven burner will operate, the oven pilot must be lit.

Before lighting, check and make sure all the control knobs are in the **OFF** position. Make sure the main gas tank valve is opened.

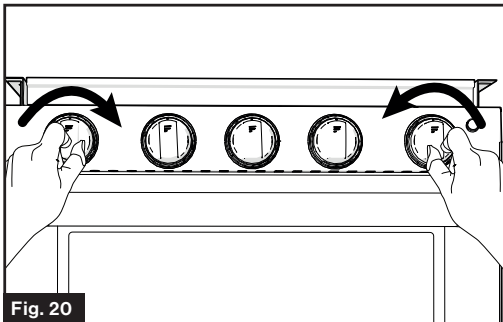
1. Pull the oven handle to open the door. If you smell gas **STOP!** Refer to the installation section and follow the instructions as listed for the appliance. (Fig. 18)



2. Push and turn the oven control knob counterclockwise to the **⬆** position. (Fig. 19)



3. Keep the oven control knob pushed in and rotate the ignition knob clockwise repeatedly until the oven burner is lit. (Fig. 20)



4. Once the oven burner is lit, keep the ignition button pushed in for about 5 seconds until the flame becomes steady.
5. Rotate the oven control knob to adjust the flame to desired level.

If the flame goes out during the lighting process

⚠ WARNING

Risk of Fire!

If the flame goes out accidentally, gas will escape. Never leave the gas burner unattended during operation. Ensure that there are no drafts.

Immediately turn the control knob to the **OFF** position. Wait at least 5 minutes before trying to re-light the oven burner.

Turning Off the Oven

⚠ WARNING

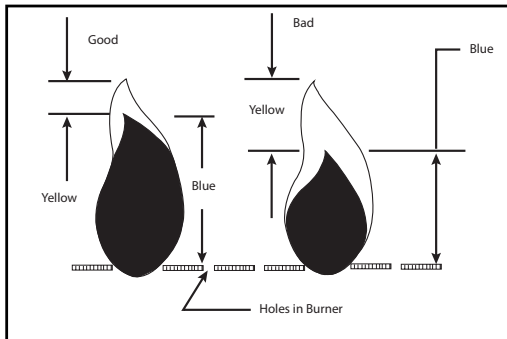
Always turn off the gas tank valve when refueling or traveling.

To turn off the oven, rotate the oven control knob clockwise to the **OFF** position.

The Burner Flame

Keep your arms and face away from being directly above the cooking area.

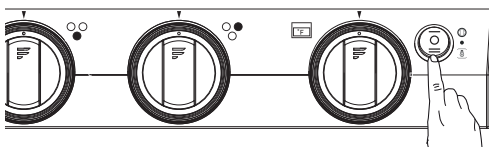
Flames should appear similar to the good flame shown in diagram below.



A good flame should be blue with a yellow tip. Some yellow tips on flames up to 1" (25.4mm) in length are acceptable as long as no carbon or soot deposits appear.

If flames are excessively yellow and irregular, the oil residue may not be completely burned off, or the venturi may be clogged or may not be properly positioned over the orifices.

Light Control



Position	Meaning
— (⊖)	All control knob lights are on
○ (●)	All lights are off
≡ (💡)	All control knob lights and oven light on

Slow Cooking

The power of the side burners is lower than the center burner, we recommend you use the side burners for slow cooking purpose.

Cooking Advice

The oven offers a wide range of alternatives which allow you to cook any type of food in the best possible way. With time you will learn to make the best use of this versatile cooking appliance and the following directions are only a guideline which may be varied according to your own personal experience.

⚠ WARNING

Food Poisoning Hazard

- Do not let food sit in oven more than one hour before or after cooking.
- Doing so can result in food poisoning sickness.

Preheating

Preheating the gas oven doesn't just heat the air in the oven but the walls and the door, which ensures that the oven will quickly return to that temperature when the door has been opened and then closed again.

Based on the cooking temperature to be set, the preheating time may vary. The suggested minimum preheat time is 15 minutes.

Baking Cakes

When baking cakes, always place in the oven after it has been preheated (about 15 minutes). The temperature is normally around 350°F. Do not open the door while the cake is baking in order to prevent it from dropping.

In general:

Pastry is too dry	Increase the temperature by 50°F and reduce the cooking time
Pastry dropped	Use less liquid or lower the temperature by 50°F
Pastry is too dark on top	Place it on a lower rack, lower the temperature, and increase the cooking time.
Cooked well on the inside but sticky on the outside	Use less liquid, lower the temperature, and increase the cooking time.
The pastry sticks to the pan	Grease the pan well and sprinkle it with a dusting of flour or use greaseproof paper

Cooking Pizza

For tasty crispy pizzas:

- Preheat the oven for at least 15 minutes.
- Place the pizza pan on the rack supplied with the oven. If the dripping pan is used, this will extend the cooking time, making it difficult to get a crispy crust.
- Do not open the oven door frequently while the pizza is cooking;
- If the pizza has a lot of toppings (three or four), we recommend you add the mozzarella cheese on top half way through the cooking process.

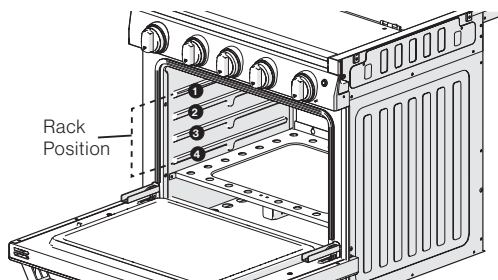
Cooking Fish and Meat

When cooking white meat, fowl and fish, use temperature settings from 335°F to 375°F.

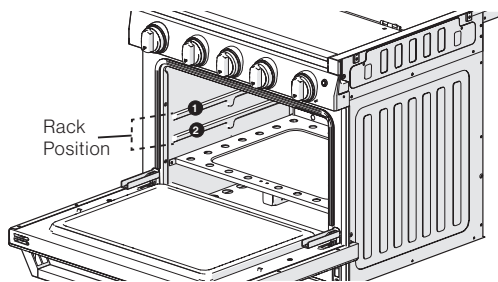
For red meat that should be well done on the outside while tender and juicy in the inside, it is a good idea to start with a high temperature setting (375°F-425°F) for a short time, then turn the oven down afterwards.

In general, the larger the roast, the lower the temperature setting. Place the meat on the center of the grate and place the dripping pan beneath to catch the drippings.

Make sure that grate is inserted so that it is in the center of the oven. If you would like to increase the amount of heat from below, use the low rack heights. For savory roasts (especially duck and wild game), dress the meat with lard or bacon on the top.



21" Range Oven



17" Range Oven

Cleaning and Maintenance

- Make sure all the control knobs are off and the appliance is cool before cleaning.
- Make sure all the appliance surfaces, burner grates and burners are cool before cleaning or disassembling.
- DO NOT use bleach or rust removers on the cooktop or burner grates.
- DO NOT obstruct the flow of combustion and ventilation air.
- Keep the appliance area clear of combustible materials, gasoline and other flammable vapors and liquids.
- Clean oven with oven cleaner only. Follow directions on the container.
- Never use a wire brush or metallic item for cleaning burner ports or orifices. Brush may "shed" bristles that may lodge in the orifice or burner ports and cause a fire or explosion.
- Clean all surfaces as soon as possible after boilovers or spillovers.
- Use warm soapy water only to clean the burner grates, cooktops, painted surfaces, porcelain surfaces, stainless steel surfaces and plastic items on your range or cooktop. Do not use grit or acid-type cleaners. Do not use cleaners with ammonia. Cleaners of these types are corrosive and could damage component parts in the range.
- DO NOT use steel wool, or abrasive cleaners, or acid type cleaners such as chlorine bleach on your cooktop or grate systems. They will damage your range or cooktop. Use only non-abrasive plastic scrubbing pads.
- DO NOT allow foods containing acids (such as lemons or tomato juice, or vinegar) to remain on porcelain or painted surfaces. Acids may remove the glossy finish. Wipe up egg spills when cooktop is cool.
- DO NOT wash warm porcelain surfaces. Allow these areas to cool before cleaning. You could burn yourself or the porcelain could crack.
- Pitting and discoloration will result if spills are allowed to remain for any length of time on stainless steel.
- DO NOT allow spillovers to remain on the burner caps. The caps could become permanently stained.
- When cleaning around the burners use care to prevent damage to the electrode (if so equipped). If a sponge or cloth should catch the metal igniter electrode, it could damage or break the electrode. If this occurs the burner will not light.

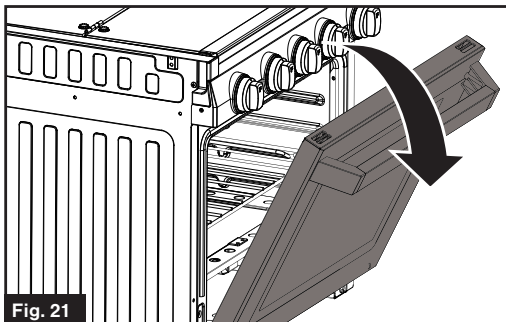
The Oven Door

⚠ WARNING

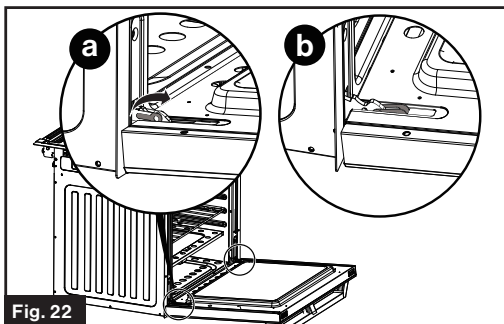
When removing the door:

- Do not place excessive weight on an open oven door or stand on an open oven door as, in some cases, it could cause the range to tip over, break or damage the door to the extent that the range would be unsafe to use, or cause serious injury to the user.
- When opening the oven door, allow steam and hot air to escape before reaching in oven to check, add or remove food.
- Make sure oven is cool and power to the oven has been turned off before removing the door. Failure to do so could result in electrical shock or burns.
- The oven door is heavy and fragile. Use both hands to remove the oven door. The door front is glass. Handle carefully to avoid breaking.
- Grasp only the sides of the oven door. Do not grasp the handle as it may swing in your hand and cause damage or injury.
- Failure to grasp the oven door firmly and properly could result in personal injury or product damage.
- To avoid injury from hinge bracket snapping closed, be sure that both levers are securely in place before removing door. Also, do not force door open or closed - the hinge could be damaged and injury could result.

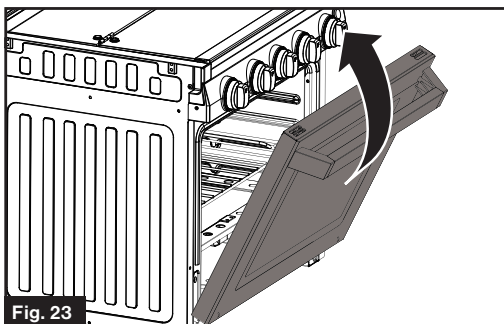
1. Be sure to read the above **WARNING** before attempting to remove oven door.
2. Open the door all the way. (Fig. 21)



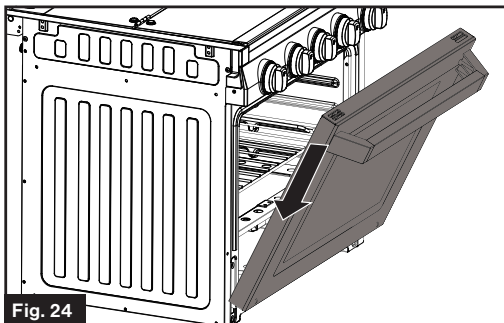
3. Flip levers on hinges (one on each side) toward you. (Fig. 22)



4. Close the door until it stops. It will be about halfway open. (Fig. 23)



5. Holding the door firmly on both sides and using both hands, pull the door straight out of the hinge slots. (Fig. 24, Fig. 25 and Fig. 26) Hold firmly, the door is heavy.



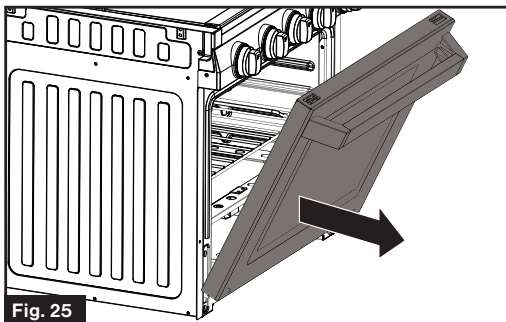


Fig. 25

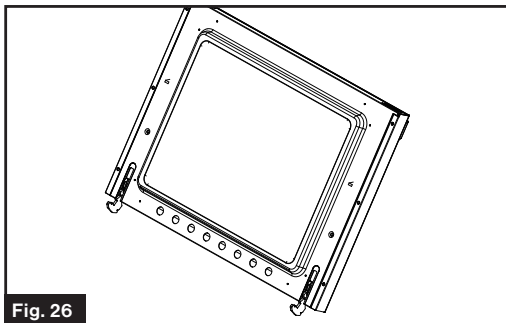


Fig. 26

- Place the door on a flat surface that is protected so the door does not damage the material of the surface.

Replacing an Oven Light

- Disconnect the oven from the power supply by means of the switch used to connect the appliance to the electrical mains, or unplug the appliance if the plug is accessible.
- Remove the glass cover of the lamp-holder. (Fig. 27)

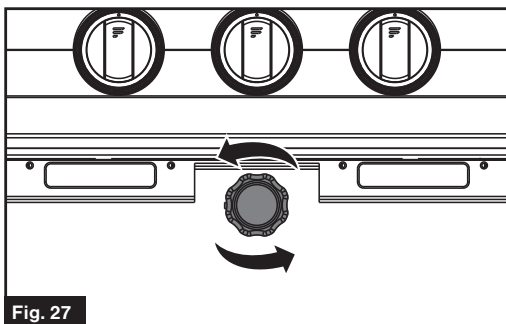


Fig. 27

- Remove the lamp and replace with a lamp resistant to high temperatures (572°F) with the following characteristics:
 - Voltage: 12V
 - Wattage: 15 W
 - Type: G9
 - Lamp Type: Halogen
- Replace the glass cover.
- Reconnect the power to the oven.

To reorder the Furriion oven light bulb replacement, please call Furriion service for assistance.

Replacing the Control Knob LED

- Disconnect the oven from the power supply by means of the switch used to connect the appliance to the electrical mains, or unplug the appliance if the plug is accessible.
- Grasp and pull on the lamp-holder with the broken LED light. (Fig. 28)

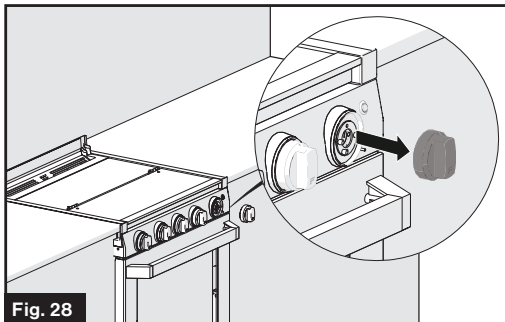


Fig. 28

- Remove the two screws holding the LED light using a Phillips screwdriver. (Fig. 29)

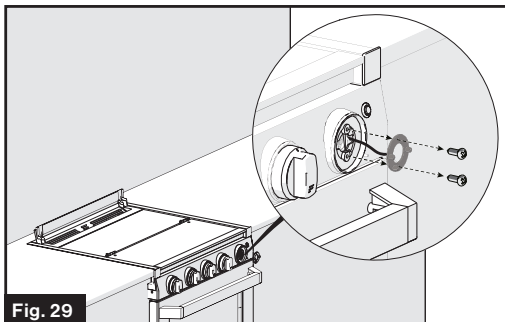


Fig. 29

- Remove the LED assembly and disconnect the wire from the base of the LED assembly. (Fig. 30)

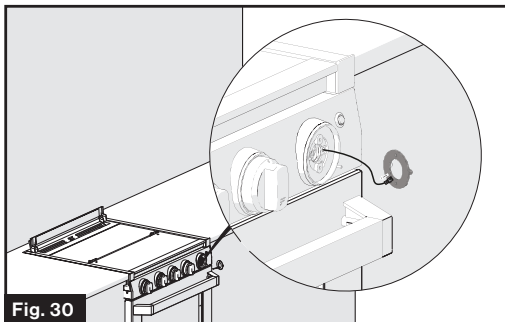


Fig. 30

- Plug the wire harness connector into the new LED assembly.
- Reattach the LED assembly to the console with the 2 screws removed in step 3. Ensure the wires are not

- pinched during this process.
- Reattach the control knob by aligning the stem of the control into the opening in the control knob housing and pushing it back into position.

Storage

Dry all surfaces and burner box, then spray surfaces with cooking oil substance to preserve the surface from rusting during long term storage. Wipe off oil coating before reuse.

Troubleshooting

Before calling for service, review this list. It may save you both time and expense. This list includes common experiences that are not the result of defective workmanship or material in your appliance.

Problem	Possible Causes / Solution
Surface burners do not light	Surface Control Knob has not been completely turned to 🔥 position. Push in and turn the Surface Control knob to 🔥 position until burner ignites and then turn control to desired flame size.
	Ensure gas supply valve is open.
	Burner ports or slots are clogged. With the burner off, use a small-gauge wire or needle to clean ports or slots.
	Low gas supply level in cylinder.
Surface burner flame burns half way around	Moisture is present on the burner, dry burner thoroughly.
	Burner ports or slots are clogged. With the burner off, clean ports with a small-gauge wire or needle to clean ports or slots.
	Moisture is present after cleaning. Lightly fan the flame and allow burner to operate until flame is full. Dry the burners thoroughly.
Surface burner flame is orange	Dust particles in main line. Allow the burner to operate a few minutes until flame turns blue.
	In coastal areas, a slightly orange flame is unavoidable due to salt air.

Specification

Technical Specifications

Optional Power	Gas power
BTU/HR	Left and Right Burner: 6500 BTU
	Front Burner: 8000 BTU
	Oven: 7100 BTU
Fuel / Power	Propane
Inlet Pressure	10" WC Min to 13.8" WC Max
Power Input	12V DC < 2 Amp
Inner Volume of the Oven	17" Range Oven: 35L
	21" Range Oven: 51L

This appliance conforms with the directives: ANSI Z21.57a-(2012) Rec / CAN1-1.16-M79 (R2011)

Merci d'avoir acheté ce produit Furrion®. Avant d'utiliser votre nouvel appareil, veuillez lire attentivement les présentes consignes. Le présent manuel d'instructions contient des consignes qui permettent une utilisation, une installation et un entretien de l'appareil en toute sécurité.

Veuillez conserver le présent manuel d'instructions en lieu sûr afin de pouvoir vous y référer ultérieurement. Cela garantit une utilisation en toute sécurité et réduit tout risque de blessures. Veuillez à transmettre le présent manuel à tout nouveau propriétaire de cet appareil.

Le fabricant décline toute responsabilité pour tous dommages résultant du non-respect des présentes consignes.

AVERTISSEMENT : En cas de non-respect strict des consignes contenues dans le présent manuel, cela présente des risques d'incendie ou d'explosion susceptibles d'entraîner des dommages matériels, des blessures corporelles, voire la mort.

- **Ne pas ranger ni utiliser de l'essence ou d'autres liquides et vapeurs inflammables à proximité de cet appareil ou de tout autre appareil.**
- **QUE FAIRE SI VOUS SENTEZ UNE ODEUR DE GAZ?**
 - **N'essayez d'allumer aucun appareil.**
 - **Ne touchez aucun interrupteur électrique.**
 - **N'utilisez aucun téléphone dans votre véhicule récréatif.**
 - **Faites évacuer le véhicule récréatif par tous ses occupants.**
 - **Fermez la soupape du récipient de GPL ou le récipient principal.**
 - **Appelez immédiatement votre fournisseur de gaz, qui vous donnera des instructions.**
 - **Si vous ne pouvez joindre votre fournisseur de gaz, appelez les services d'incendie.**
- **Faites vérifier le système de gaz, faites corriger la source de fuite par un installateur qualifié, une agence d'entretien, le fabricant, le revendeur ou le fournisseur de gaz.**

Table des matières

Table des matières	19
Explication des symboles	20
Consignes de sécurité importantes	20
Mises en garde générales et consignes de sécurité.....	20
Consignes de sécurité relatives à la table de cuisson.....	21
Consignes de sécurité relatives au four.....	22
Présentation du produit	23
Installation	24
Contenu de l'emballage.....	24
Instructions de découpe de l'armoire.....	24
Installation du four.....	25
Raccordement de gaz.....	26
Branchement électrique.....	27
Couvercle en verre de rechange.....	27
Essais de détection des fuites.....	28
Utilisation	28
Allumage de la table de cuisson.....	28
Arrêt de la table de cuisson.....	29
Allumage du four.....	29
Arrêt du four.....	30
Flammes du brûleur.....	30
Contrôle de la lampe.....	30
Cuisson lente.....	30
Conseils de cuisson	31
Préchauffage.....	31
Cuisson de gâteaux.....	31
Cuisson de pizzas.....	31
Cuisson de poisson et de viande.....	31
Nettoyage et Entretien	32
Porte du four.....	32
Remplacement de la lampe d'un four.....	33
Remplacement du voyant LED du bouton de réglage.....	34
Rangement	34
Dépannage	34
Caractéristiques	35

Explication des symboles

Le présent manuel contient des consignes de sécurité et des instructions visant à vous aider à éliminer ou à réduire tout risque d'accidents et de blessures. Respectez toujours tous les avertissements de sécurité indiqués par les symboles ci-après. Un terme de mise en garde indique des messages de sécurité ainsi que des messages signalant des risques de dommages matériels, et indique le degré ou le niveau de gravité du danger.

DANGER

Indique une situation de danger immédiat qui, si elle n'est pas évitée, provoque des blessures graves, voire la mort.

AVERTISSEMENT

Indique une situation de danger potentiel qui, si elle n'est pas évitée, peut provoquer des blessures graves, voire la mort.

ATTENTION

Indique une situation de danger potentiel qui, si elle n'est pas évitée, peut provoquer des blessures corporelles mineures ou modérées ou des dommages matériels.

Consignes de sécurité importantes

Les avertissements et les consignes de sécurité importantes figurant dans le présent guide n'ont pas vocation à couvrir toutes les conditions et situations possibles. Il convient de faire preuve de bon sens, de prudence et user de de circonspection lors de l'installation, de l'entretien ou de l'utilisation de l'appareil. Contactez toujours le fabricant en cas de dysfonctionnement de l'appareil

Veillez lire et respecter toutes les consignes avant d'utiliser cet appareil afin de prévenir tout risque potentiel d'incendie, d'électrocution, de blessures corporelles ou d'endommagement de l'appareil du fait d'une utilisation incorrecte de celui-ci. Utilisez cet appareil uniquement aux fins pour lesquelles il a été conçu, ainsi que décrit dans le présent guide.

En cas d'utilisation d'une source d'alimentation externe, l'appareil doit être mis à la terre conformément aux codes de l'État ou à tous autres codes ou, en l'absence de tels codes, au code national d'électricité américain (NEC), ANSI/NFPA 70. N'essayez de régler, réparer, réviser ou remplacer aucune pièce de votre appareil, sauf recommandation expresse dans le présent guide. Tout autre entretien doit être confié à un technicien qualifié.

Mises en garde générales et consignes de sécurité.

AVERTISSEMENT

- Toute installation, tout réglage, toute réparation ou tout entretien incorrect peut entraîner des blessures, des dommages matériels, voire la mort. Veuillez consulter le présent manuel. Pour obtenir de l'aide ou des informations supplémentaires, consultez un installateur qualifié, un organisme de services, le fabricant ou le fournisseur de gaz.
- Évitez d'utiliser votre appareil ou tout autre appareil si vous sentez une odeur de gaz. Ne pas supposer que la présence de d'odeur de gaz dans votre VR est un phénomène normal. Chaque fois que vous détectez une odeur de gaz, celle-ci doit être considérée comme constituant un danger de mort et corrigée immédiatement. Éteignez toutes les flammes nues, y compris les cigarettes, puis évacuez du véhicule tous ses passagers. Fermez l'alimentation de gaz au robinet d'arrêt de la bouteille de GPL.
- Si l'utilisateur de cet appareil ne parvient pas à le conserver dans l'état où il a été expédié de l'usine ou si l'appareil n'est pas utilisé uniquement aux fins pour lesquelles il a été conçu ou si l'appareil n'est pas entretenu conformément aux instructions du présent manuel, cela présente des risques d'incendie pouvant entraîner des blessures corporelles, des dommages matériels, voire la mort.

⚠ AVERTISSEMENT

RISQUE D'EXPLOSION OU D'INCENDIE

- Éteignez tous les appareils à gaz et les veilleuses avant de faire le plein de réservoirs d'essence ou de bouteilles de propane liquide ou lors du déplacement du véhicule.
- Les appareils de cuisson à gaz Furrion doivent être utilisés exclusivement avec du gaz propane liquide et pour une installation dans des véhicules récréatifs uniquement (p. ex., des remorques de tourisme, des autocaravanes, des campeurs en tente, etc.).

⚠ AVERTISSEMENT

INTOXICATION AU MONOXYDE DE CARBONE

- NE PAS utiliser cet appareil pour réchauffer ou chauffer un véhicule. Vous pourriez subir des brûlures ou des blessures, un incendie pourrait se déclarer ou vous risquez d'épuiser l'oxygène disponible dans le véhicule.
- Une fenêtre ou un orifice d'aération doit être légèrement ouverte lors de l'utilisation d'un appareil de cuisson. Les flammes de gaz consomment de l'oxygène, qui doit être remplacé afin d'assurer une combustion correcte.
- NE PAS ranger et ne pas utiliser d'essence ou d'autres liquides et vapeurs inflammables à proximité de cet appareil ou de tout autre appareil.
- NE PAS utiliser l'appareil s'il est endommagé ou ne fonctionne pas correctement.
- Ne jamais essayer de réparer l'appareil par vous-même. Toute réparation ou installation de cet appareil doit être effectuée par un installateur qualifié, une agence d'entretien ou le fournisseur de gaz et conformément aux instructions du présent manuel. La réparation ou l'entretien de votre appareil par un technicien ou une agence d'entretien non agréé(e) peut entraîner une perte de son intégrité et entraîner des dommages matériels, des blessures graves, voire la mort.
- Faites-vous indiquer par le revendeur l'emplacement du robinet d'arrêt de gaz principal et comment fermer celui-ci en cas d'urgence.
- Utilisez votre appareil uniquement aux fins pour lesquelles il a été conçu.
- Il convient de faire savoir aux enfants que l'appareil n'est pas un jouet. Ils ne doivent pas être autorisés à jouer avec les commandes de l'appareil, ni avec aucune autre pièce de celui-ci. Ne laissez personne se tenir debout ou s'asseoir sur l'appareil. Cela peut non seulement endommager l'appareil, mais également entraîner des blessures corporelles.
- Ne pas ranger d'objets susceptibles d'intéresser des enfants dans des armoires situées au-dessus ou à proximité de l'appareil. Les enfants qui grimpent sur l'appareil pour atteindre des objets risquent de se blesser gravement.
- Tous les boutons de réglage doivent être positionnés sur « OFF » lorsque vous ne les utilisez pas. Risques d'incendie et/ou de brûlures possibles si un brûleur est laissé allumé accidentellement.
- Si un brûleur doit s'éteindre (après l'allumage initial ou en raison d'une extinction accidentelle), fermez tous les boutons des brûleurs, puis patientez cinq (5) minutes

avant de tenter à nouveau d'allumer le brûleur.

- NE PAS ranger de matériaux inflammables sur, dans ou à proximité de l'appareil. Toute émanation peut créer des risques d'explosion et/ou d'incendie.
- Ne pas porter des vêtements amples ni des vêtements à manches longues lors de l'utilisation de l'appareil. Si ceux-ci entrent en contact avec la flamme nue du brûleur, ils risquent de s'enflammer et de provoquer de graves brûlures.
- Utilisez uniquement des maniques sèches pour retirer les ustensiles chauds. L'utilisation de maniques humides sur des surfaces chaudes peut provoquer des brûlures aux mains. Ne pas utiliser de serviette ni de tissu encombrant en guise de manique. Le tissu pourrait entrer en contact avec une flamme nue et prendre feu.
- Ne jamais chauffer un récipient non ouvert. L'accumulation de pression dans le récipient peut provoquer son explosion.
- Ne pas utiliser de l'eau sur les feux de friture. Ne jamais prendre une poêle en feu. Étouffez la poêle en feu à l'aide d'un couvercle ou d'une poêle plate. La graisse enflammée à l'extérieur de la poêle peut être éteinte à l'aide de bicarbonate de soude ou d'un extincteur à poudre chimique à usages multiples.
- Cet appareil est conçu pour être intégré dans une structure d'armoire uniquement. Il n'a pas vocation à être fixé à la structure du bâtiment.

Consignes de sécurité relatives à la table de cuisson.

- Ne pas poser de poêles sur la surface en verre. Soulevez le couvercle pour l'ouvrir complètement avant d'utiliser les brûleurs. Laissez refroidir la table de cuisson avant de fermer le couvercle en verre.
- Si la table de cuisson se trouve à proximité d'une fenêtre, des précautions appropriées doivent être prises afin d'empêcher l'agitation des rideaux au-dessus des brûleurs sous l'effet de courants d'air et de créer ainsi des risques d'incendie.
- Gardez la zone autour de la table de cuisson propre et exempte de matériaux combustibles, d'essence ou de tous autres liquides et vapeurs inflammables. Dans le cas contraire, cela peut entraîner des risques d'explosion et/ou d'incendie.
- Ne pas laisser les enfants seuls ou sans surveillance dans un endroit où la table de cuisson est utilisée. Les brûleurs supérieurs, les grilles des brûleurs et les autres zones proches des brûleurs deviennent suffisamment chauds pour causer de graves brûlures.
- Gardez la table de cuisson propre. L'accumulation de graisse et les débordements et/ou projections d'aliments peuvent créer un risque d'incendie.
- Tournez les poignées de la poêle vers l'intérieur ou vers l'arrière de la table de cuisson et à l'écart des personnes qui passent devant la table de cuisson et/ou hors de la portée des enfants. Ne pas tourner les poignées vers une zone où elles risquent de se trouver au-dessus des brûleurs.
- Ne jamais laisser le ou les brûleurs supérieurs sans surveillance.

- Pour des raisons telles que des courants d'air vers le bas qui pourraient être créés par l'ouverture et la fermeture des portes d'armoires ou du véhicule récréatif ou par des pressions d'air positives ou négatives affectant les brûleurs en raison d'une installation incorrecte. (Voir la section Installation) Le brûleur pourrait s'éteindre, ce qui provoquerait un dégagement de gaz dans le véhicule récréatif. Remarque : le débit de gaz vers chaque brûleur est commandé manuellement. Vous devez démarrer (ON) ou arrêter (OFF) le flux de gaz.
- Un débordement pourrait se produire et les aliments répandus s'enflammer.
- Taille des flammes
 - Ne jamais augmenter les flammes au-delà du bord extérieur de l'ustensile. Des flammes plus hautes riment simplement avec gaspillage de chaleur et d'énergie.
 - La taille correcte des flammes est déterminée par les dimensions et le matériau de l'ustensile, les aliments en cours de cuisson. En outre, la cuisson est-elle faite avec ou sans liquide ?



- Pour éviter d'endommager la table de cuisson, les brûleurs supérieurs ou la grille supérieure, ne faites jamais utiliser un brûleur supérieur sans poêle en place. Les brûleurs supérieurs, en particulier le brûleur qui fonctionne moyennant l'apport d'une quantité importante de gaz, ne doivent pas être utilisés à puissance élevée pendant une période prolongée. Le réglage élevé ne doit être utilisé que pour démarrer la cuisson d'aliments ou pour amener des liquides à ébullition. Ensuite, réduisez les flammes à un réglage plus bas pour poursuivre la cuisson. Utilisez le réglage feu doux pour conserver les aliments au chaud. Remarque : une cuisinière à gaz chauffe plus rapidement qu'une cuisinière électrique. En conséquence, essayez différents réglages jusqu'à ce que vous soyez à l'aise pour cuisiner au gaz.
- Ne jamais utiliser d'ustensiles de cuisson qui dépassent d'un pouce la grille (dimensions maximales de la poêle : diamètre : 10 po). Ne jamais placer l'ustensile de cuisine sur la grille jusqu'à ce qu'il repose sur deux brûleurs supérieurs en marche. Cela provoquerait une accumulation excessive de chaleur pouvant endommager la grille, le ou les brûleurs supérieurs ainsi que la table de cuisson.
- Assurez-vous que l'alimentation en gaz est suffisante avant d'allumer un brûleur supérieur. L'air présent dans la conduite d'alimentation en gaz retardera considérablement l'allumage du brûleur, et un brûleur peut s'allumer de manière inattendue lorsque l'air présent dans la conduite disparaît et est remplacé par du GPL. Cet allumage inattendu présente des risques de brûlures. De l'air peut être introduit dans la conduite d'alimentation lors du remplacement de la bouteille de gaz du véhicule, lors de l'entretien d'autres appareils à gaz, etc.
- NE PAS toucher les brûleurs supérieurs, les grilles

des brûleurs ou toute autre zone proche des brûleurs supérieurs pendant et après utilisation. Ne pas laisser vos vêtements ou tous autres matériaux inflammables entrer en contact avec les brûleurs supérieurs ou les zones proches des brûleurs avant que ceux-ci aient eu le temps de refroidir.

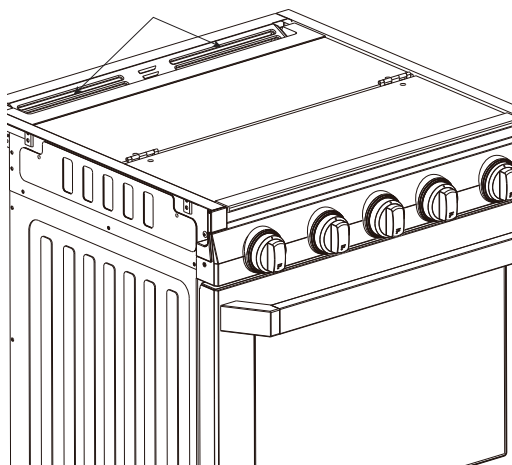
- Assurez-vous que les ustensiles que vous utilisez sont suffisamment grands pour contenir des aliments et éviter tous débordements et toutes projections. De grosses éclaboussures ou des projections laissés en l'état sur la table de cuisson présentent des risques d'inflammation et de brûlures.
- Assurez-vous que l'utilisation d'ustensiles de cuisson en verre sur la table de cuisson ne présente aucun danger. Seuls certains types d'ustensiles en verre conviennent à l'utilisation sur des surfaces ou têtes de brûleurs sans se briser en raison des variations brusques de température.
- Les graisses sont inflammables. Ne jamais laisser des graisses s'accumuler autour des brûleurs supérieurs ou sur la surface de la table de cuisson. Veuillez essayer immédiatement tous débordements.
- Faites attention lorsque vous allumez un brûleur supérieur à la main. Si le brûleur s'allume de manière inattendue ou si votre main est proche du brûleur, vous risquez de vous brûler.
- NE PAS laisser tomber de poêles sur la surface en porcelaine. Cela peut entraîner des fissures ou des craquelures sur la surface de la porcelaine.
- NE PAS laisser d'ustensile vide ou qui a bouilli à sec sur un brûleur supérieur brûlant. L'ustensile peut surchauffer et être endommagé ou endommager l'appareil de cuisson.

Consignes de sécurité relatives au four.

- NE PAS toucher les surfaces internes du four ou de la porte du four, ni la grille à l'intérieur, ni les ustensiles à l'intérieur du four pendant et après utilisation, jusqu'à refroidissement suffisant de ces zones. Vous pourriez subir des brûlures ou des blessures. Pendant et après utilisation, ne pas laisser des vêtements ou tous autres matériaux inflammables entrer en contact avec ces zones jusqu'à refroidissement suffisant.
- NE PAS toucher la surface extérieure de la porte du four ou de l'évent du four en cours d'utilisation. Ces zones peuvent devenir suffisamment chaudes pour occasionner des brûlures. Pendant et après utilisation, ne pas laisser des vêtements ou tous autres matériaux inflammables entrer en contact avec ces zones jusqu'à refroidissement suffisant.
- NE PAS couvrir les orifices d'aération de la grille de diffuseur de flammes (clayette située au-dessus du brûleur du four). La circulation de l'air à l'intérieur du four sera interrompue et les temps de cuisson seront différents de la normale, les aliments pourraient être brûlés ou insuffisamment cuis.
- NE PAS utiliser le four comme espace de rangement.
- Si la veilleuse du four doit s'éteindre après l'allumage initial ou en raison d'une extinction accidentelle, fermez le bouton du four, puis patientez cinq (5) minutes avant de tenter à nouveau d'allumer le four.

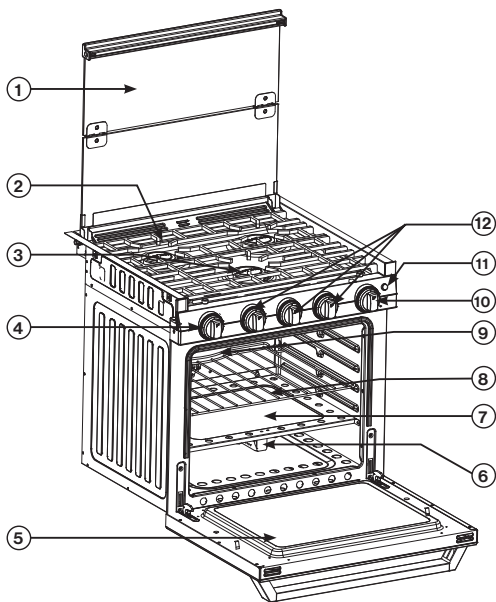
- Placez toujours les grilles du four à l'endroit souhaité pendant que le four est froid. Si la grille doit être déplacée alors que le four est chaud, ne pas laisser la manique entrer en contact avec l'élément chauffant chaud du four.
- Faites preuve de prudence lorsque vous ouvrez la porte du four, laissez l'air chaud ou la vapeur s'en échapper avant d'en retirer ou d'y replacer des aliments.
- Ne pas couvrir les orifices d'aération du four en cours d'utilisation. Le fait de recouvrir les orifices d'aération limite le débit d'air de combustion vers le brûleur du four et pourrait provoquer une mauvaise combustion et la formation de monoxyde de carbone.

Oven Vent



Français

Présentation du produit



①	Couvercle en verre
②	Grille
③	Brûleur de la table de cuisson
④	Bouton d'allumage
⑤	Porte du four
⑥	Brûleur du four
⑦	Grille de diffuseur de flammes
⑧	Grille de cuisson
⑨	Lampe du four
⑩	Bouton de réglage du four
⑪	Interrupteur de la lampe
⑫	Boutons de réglage des brûleurs supérieurs

Installation

⚠ AVERTISSEMENT

INCENDIE, EXPLOSION, BRÛLURES, INTOXICATION AU MONOXYDE DE CARBONE

- L'appareil de cuisson doit être complètement séparé et/ou scellé des autres appareils à circulation d'air ou consommateurs d'air, tels que fourneaux, fours à micro-ondes, sècheuses, ventilateurs de refroidissement et portes ou tiroirs d'armoires. Dans le cas contraire, l'alimentation en air de combustion de l'appareil ou des appareils en serait affectée en créant un tirage négatif ou positif.
- LES TIRAGES NÉGATIFS causés par des appareils de circulation d'air peuvent attirer la flamme du brûleur supérieur dans ou vers la table de cuisson, ce qui peut l'endommager, provoquer des brûlures, une possibilité d'explosion et/ou une accumulation de monoxyde de carbone.
- LES TIRAGES POSITIFS peuvent éteindre les flammes du brûleur supérieur lors de son utilisation, ce qui peut entraîner des risques d'explosion et/ou d'incendie et/ou blesser les occupants du véhicule.
- NE PAS utiliser l'appareil dans des conditions de vent excessif car cela pourrait causer un tirage négatif ou positif.

⚠ AVERTISSEMENT

L'installation de cet appareil doit être effectuée conformément aux instructions écrites fournies dans ce manuel. Aucun agent, représentant ou salarié de Furion ni toute autre personne n'est autorisé à changer, à modifier ou à renoncer à appliquer toute dispositions des instructions contenues dans ce manuel.

L'installation doit être conforme aux codes locaux ou, en l'absence desdits codes, veuillez vous référer à la dernière édition de :

Aux États-Unis :

- Norme nationale américaine pour les véhicules récréatifs (Standard for Recreational Vehicles) NFPA 1192
- National Fuel Gas Code ANSI Z223.1/NFPA 54

Au Canada, l'installation doit être conforme à :

- Norme CAN/CSA Z-240.4.2-08, Exigences relatives à l'installation des appareils et équipements fonctionnant au propane dans les véhicules récréatifs.
- Tous les codes et réglementations locaux en vigueur

Contenu de l'emballage

Assurez-vous que tous les éléments suivants sont présents dans l'emballage. Si un élément est endommagé ou manquant, contactez votre revendeur.

- Four de la cuisinière x 1
- Grille de la table de cuisson x 2
- Grilles de cuisson x 1
- Manuel d'instructions x 1
- Manuel de garantie x 1

Instructions de découpe de l'armoire

Pour obtenir un bon fonctionnement de votre appareil de cuisson, l'armoire doit être correctement construite et centrée par rapport au dessus du comptoir et à la façade de l'armoire.

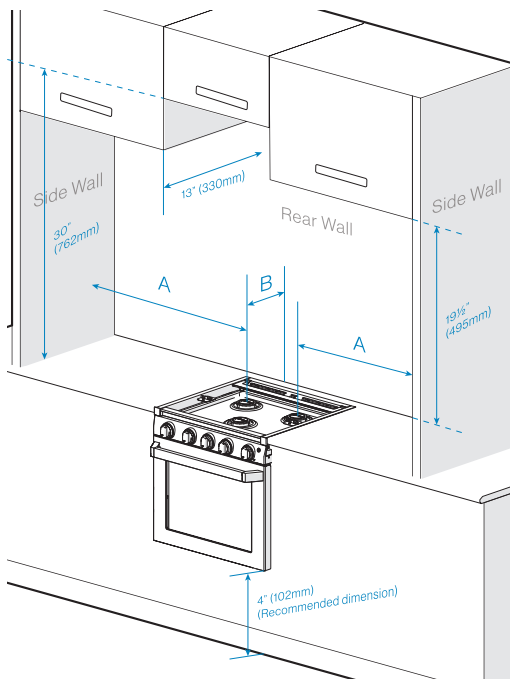
Pour obtenir un fonctionnement correct de ces unités, l'armoire doit être de niveau et la partie inférieure de la cuisinière doit être soutenue.

REMARQUES : Lors de la planification de l'emplacement de l'appareil, envisagez l'utilisation de rideaux ou d'autres matériaux combustibles installés autour du four afin de prévenir tous risques d'incendie.

La ou les distances minimales à l'horizontale entre les côtés et l'arrière de l'appareil et les murs combustibles verticaux adjacents s'étendant au-dessus du panneau supérieur :

Article	Dimension
A	7¼ po au minimum (184 mm au minimum)
B	8 po au minimum (203 mm au minimum)

REMARQUE : Ces distances doivent être prises à partir du centre du brûleur de l'appareil.



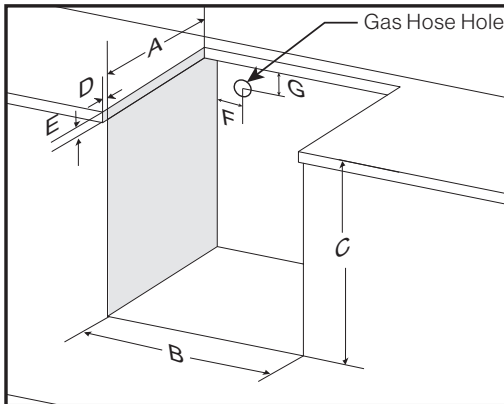
⚠ AVERTISSEMENT

La distance minimale à la verticale par rapport aux matériaux combustibles au-dessus de la surface de cuisson est de 30 po (762 mm), à condition que la construction en hauteur ne se prolonge pas jusqu'à 13 po (330 mm) par rapport au mur arrière. Distance minimum entre le sol et la partie inférieure de la découpe formant une ouverture : 4 po (102 mm).

REMARQUE : Si vous installez une combinaison de hotte de cuisinière ou de micro-ondes au-dessus de la surface de cuisson, suivez les instructions d'installation de la combinaison de hotte de cuisine ou de hotte micro-ondes pour connaître les espaces libres au-dessus de la surface de la table de cuisson.

Dimensions de la découpe du comptoir et de l'armoire :

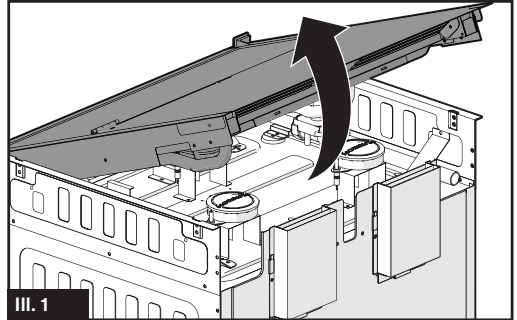
Article	Modèle	
	Cuisinière de véhicule récréatif de 17 po	Cuisinière de véhicule récréatif de 21 po
A	17¾ po (451 mm)	17¾ po (451 mm)
B	20½ po (511 mm)	20½ po (511 mm)
C	16⅞ po (410 mm)	20¼ po (510 mm)
D	1⅝ po (23 mm) au max.	1⅝ po (23 mm) au max.
E	1½ po (38 mm) au max.	1½ po (38 mm) au max.
F	4⅝ po (110 mm)	4⅝ po (110 mm)
G	3⅞ po (90 mm)	3⅞ po (90 mm)



Installation du four

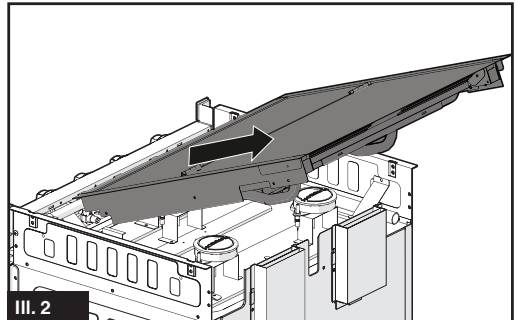
Lorsque l'armoire a été apprêtée selon les dimensions indiquées et que le tuyau d'alimentation en gaz est en place.

- Sortez votre four de la cuisinière du carton, puis posez-le sur une surface plane. Retirez-en les matériaux d'emballage.
- Tenez le déflecteur, puis tirez-le vers le haut pour libérer le couvercle en verre supérieur du four. (III. 1)



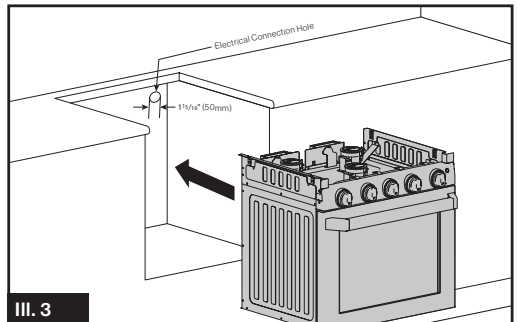
III. 1

- Poussez le couvercle en verre vers l'arrière du four, puis soulevez-le pour le retirer du four. (III. 2)



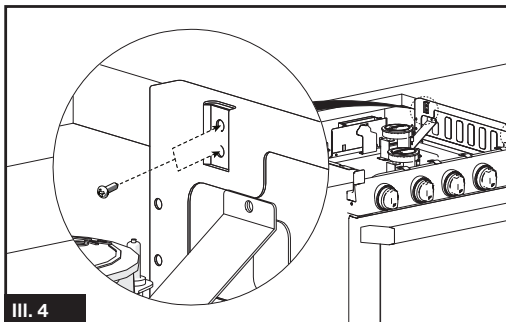
III. 2

- Faites glisser le four dans l'ouverture de l'armoire. Assurez-vous que le four est au niveau sur les deux côtés et de l'avant vers l'arrière. (III. 3)



III. 3

- Fixez le four de la cuisinière dans l'ouverture de l'armoire à gauche et à droite à l'aide de quatre vis autotaraudeuses (2 vis de chaque côté). (III. 4)



III. 4

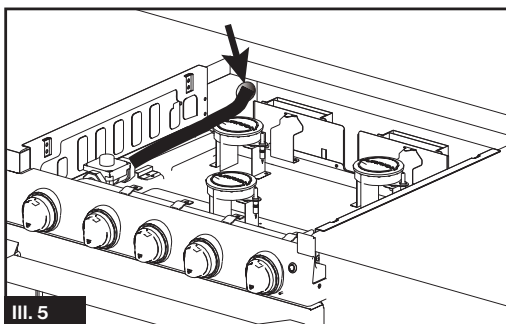
Raccordement de gaz

⚠ AVERTISSEMENT

Le tuyau d'alimentation en gaz doit être installé de manière à éviter tout contact entre les couteaux et les conduites de gaz ou des coupures de celles-ci.

Raccordez une conduite d'alimentation en propane à l'aide d'un raccord femelle à servir de $\frac{3}{8}$ po à la table de cuisson dans le coin supérieur gauche de l'armoire. (III. 5) Serrez le raccord de la conduite de gaz à la table de cuisson à l'aide de 2 clés.

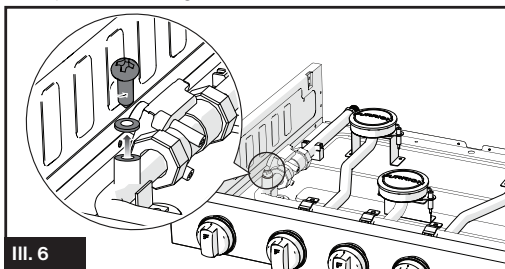
IMPORTANT : Laissez un espace suffisant autour du tuyau d'alimentation en gaz en cas de coude ou d'endommagement lors de l'installation. Assurez-vous que le tuyau d'alimentation en gaz ne peut entrer en contact avec aucune pièce mobile après son installation. Assurez-vous que toutes les ouvertures des armoires autour de la conduite de gaz sont scellées au moment de l'installation.



III. 5

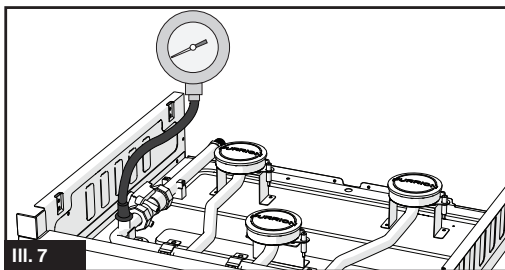
Contrôle de la pression

- Coupez l'alimentation en GPL de l'appareil.
- Retirez la vis et le joint d'étanchéité de l'orifice de contrôle de pression de la ligne. (III. 6)



III. 6

- Utilisez le tube en caoutchouc de l'appareil pour le contrôle de la pression et faites glisser le tube en caoutchouc vers le bas sur l'orifice de test de pression de gaz. Le tube en caoutchouc doit sceller tout autour de l'orifice de contrôle de la pression sur la ligne.
- Démarrez l'alimentation en GPL de l'appareil.
- Le manomètre doit mesurer entre 10 po colonne d'eau et 13,8 po colonne d'eau. (III. 7)



III. 7

- Coupez l'alimentation en GPL de l'appareil.
- Retirez le tube en caoutchouc de l'appareil de mesure de pression.
- Remplacez la vis par le joint d'étanchéité de l'étape 2. Avant de remplacer la vis, vérifiez si le joint d'étanchéité en caoutchouc ne présente aucun endommagement. Remplacez le joint s'il est endommagé.
- Serrez la vis de 1,3 Nm à 1,7 Nm.

REMARQUE : Assurez-vous que le produit a été vérifié après le test de contrôle de la pression en examinant également la vis de la sortie de contrôle de la pression. Si des fuites sont détectées autour de la vis et du joint de l'orifice de contrôle de pression, il est possible d'en acheter un nouveau. Appelez le service à la clientèle Furrion pour un remplacement.

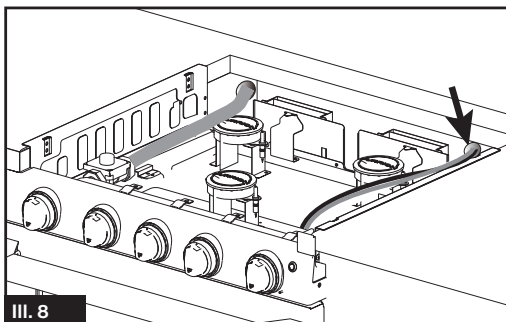
⚠ ATTENTION

RISQUE D'ENDOMMAGEMENT DU PRODUIT

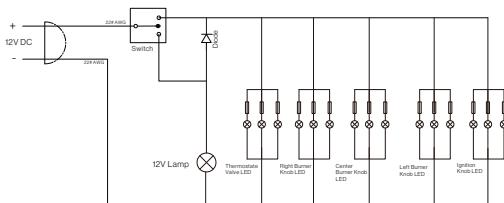
- Branchez à une tension de service de 12 V DC exclusivement.
- Branchez seulement à un circuit protégé par un disjoncteur d'une intensité maximale de 15 A.
- NE PAS utiliser une cuisinière diélectrique à moins que le système d'allumage électronique n'ait été débranché.

Branchez un câble d'alimentation positif de 12 V au câble noir de 12 V du four de la cuisinière et un câble négatif de 12 V au câble blanc de 12 V du four de la cuisinière. (III. 8)

REMARQUE : Assurez-vous de brancher les câbles en respectant les polarités correctes. Le noir correspond à « + » et le blanc à « - ».

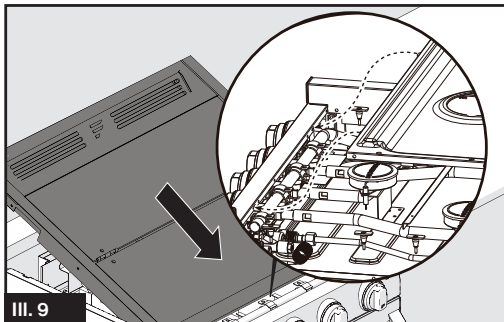


III. 8



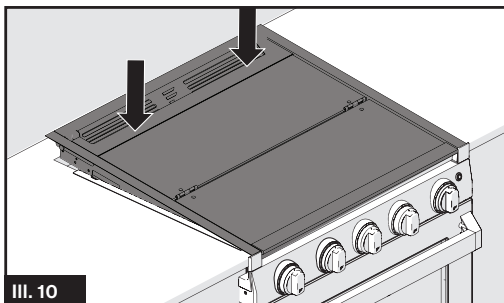
Wiring Diagram

1. Alignez les 2 languettes du couvercle en verre supérieur sur les fentes situées au dos de la console, puis placez-le dans la partie supérieure de la table de cuisson. (III. 9)

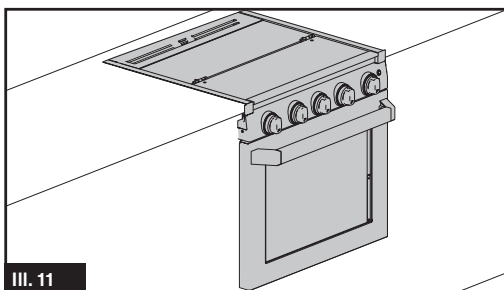


III. 9

2. Appuyez sur la face arrière du couvercle en verre supérieur et vous entendrez un bruit de cliquetis. Le couvercle en verre supérieur est maintenant verrouillé. (III. 10 et III. 11)



III. 10



III. 11

Essais de détection des fuites

⚠ AVERTISSEMENT

RISQUE D'INCENDIE OU D'EXPLOSION

- Éteignez toutes les flammes nues.
- Ne JAMAIS effectuer de tests d'étanchéité lorsque vous fumez. Ne jamais utiliser une flamme.
- Ne jamais utiliser l'appareil avant d'avoir procédé à des essais de détection des fuites sur tous les raccords et de vous assurer de l'absence de fuites éventuelles.
- Essai de pression/de détection des fuites au moyen d'une pression de 11-13,8 WC.

⚠ AVERTISSEMENT

- Des fuites de gaz peuvent se produire dans votre système et créer une situation dangereuse. Effectuez toujours des essais de détection des fuites afin de détecter les éventuelles fuites conformément aux instructions du fabricant après l'installation et avant toute utilisation.
- Les fuites de gaz peuvent ne pas être détectées pour l'odeur uniquement. Les fournisseurs de gaz vous conseillent d'acheter et d'installer un détecteur de gaz approuvé UL.

1. Positionnez le bouton de réglage sur **OFF**.
2. Appliquez un liquide de détection de fuites de gaz sur les raccords. Toute fuite de gaz est indiquée par des bulles.
3. En cas de détection d'une fuite de gaz, serrez le joint desserré ou remplacez la pièce défectueuse par une pièce de rechange recommandée par le revendeur agréé Furrion.

Utilisation

⚠ AVERTISSEMENT

Veillez à ce que vos bras et votre visage ne se trouvent pas directement au-dessus de la zone de cuisson lorsque vous utilisez l'appareil.

⚠ DANGER

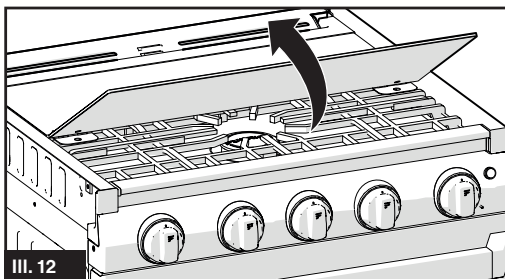
- Le couvercle en verre supérieur doit rester ouvert lors de l'allumage et de l'utilisation de la table de cuisson.
- Ne pas essayer d'allumer plusieurs brûleurs à la fois.

Allumage de la table de cuisson

Avant allumage, vérifiez tous les boutons de réglage et assurez-vous que ceux-ci sont positionnés sur **OFF**. Assurez-vous que le robinet du réservoir de gaz principal est ouvert.

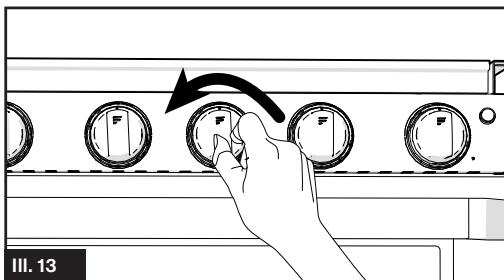
Allumage standard :

1. Soulevez le couvercle en verre de la table de cuisson pour l'ouvrir. (III. 12) Le couvercle en verre supérieur doit rester ouvert lors de l'allumage et de l'utilisation de la table de cuisson.



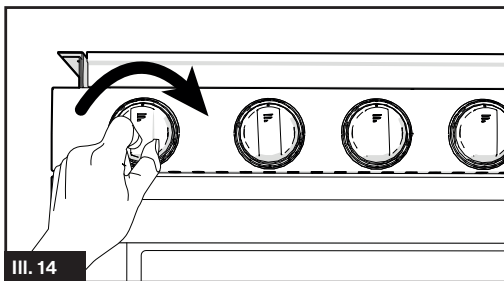
III. 12

2. Appuyez et tournez le bouton approprié du brûleur dans le sens inverse des aiguilles d'une montre pour le positionner sur **▲**. (III. 13)



III. 13

3. Maintenez le bouton de réglage du four enfoncé, puis tournez le bouton d'allumage dans le sens des aiguilles d'une montre à plusieurs reprises jusqu'à ce que le brûleur s'allume. (III. 14)



III. 14

4. Une fois le brûleur de la table de cuisson allumé, maintenez le bouton d'allumage enfoncé pendant environ 5 secondes jusqu'à ce que la flamme se stabilise.

5. Tournez le bouton de réglage du brûleur pour régler les flammes au niveau souhaité.
6. Répétez l'exécution des étapes 2 et 5 pour allumer le ou les autres brûleurs, selon les besoins.

Si le brûleur ne s'allume pas :

Si vous ne parvenez pas à allumer le brûleur dans les 5 secondes, tournez immédiatement le bouton de réglage dans le sens des aiguilles d'une montre pour le positionner sur **OFF**. Patientez au moins 5 minutes, puis répétez la procédure d'allumage. Si l'allumage ne se produit toujours pas, utilisez un briquet à gaz ou une allumette pour allumer le brûleur. Reportez-vous à la section « **Allumage manuel** ».

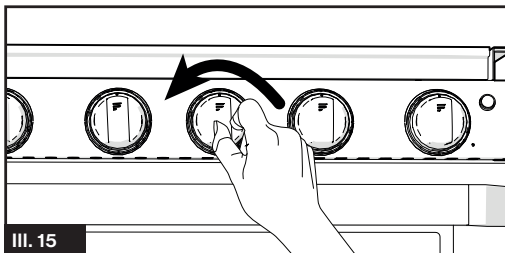
Allumage manuel :

⚠ AVERTISSEMENT

Faites attention lorsque vous allumez les brûleurs à la main. Si un brûleur s'allume de manière inattendue ou si votre main est trop près du brûleur, vous pourriez vous brûler.

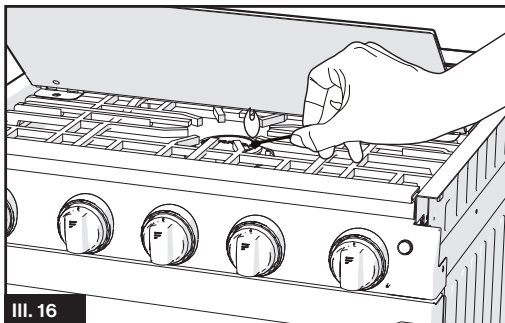
En cas de non-allumage du brûleur en allumage standard, vous pouvez l'allumer manuellement en exécutant les étapes ci-dessous :

1. Appuyez et tournez le bouton approprié du brûleur dans le sens inverse des aiguilles d'une montre pour le positionner sur 🔥. (III. 15)



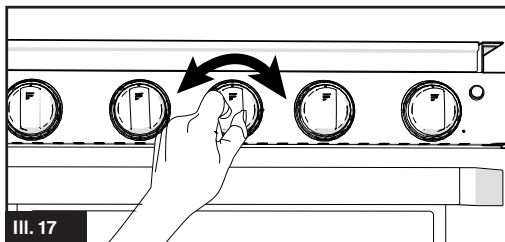
III. 15

2. Allumez immédiatement une longue allumette en bois, puis placez celle-ci ou un briquet à gaz près du brûleur pour l'allumer. (III. 16)



III. 16

3. Répétez l'exécution des étapes 1 et 2 pour allumer le ou les autres brûleurs, selon les besoins.
4. Tournez le bouton de réglage du brûleur pour régler la flamme au niveau souhaité. (III. 17)



III. 17

En cas d'extinction de la flamme

⚠ AVERTISSEMENT

Risques d'incendie!

Si les flammes s'éteignent accidentellement, du gaz se dégagera. Ne jamais laisser le brûleur à gaz sans surveillance en cours d'utilisation. Assurez-vous qu'aucun courant d'air ne puisse affecter les flammes des brûleurs.

Positionnez immédiatement le bouton de réglage sur **OFF**. Patientez au moins 5 minutes, puis rallumez le brûleur.

Arrêt de la table de cuisson

⚠ AVERTISSEMENT

Fermez toujours le robinet de la bouteille de gaz lors du ravitaillement ou en déplacement.

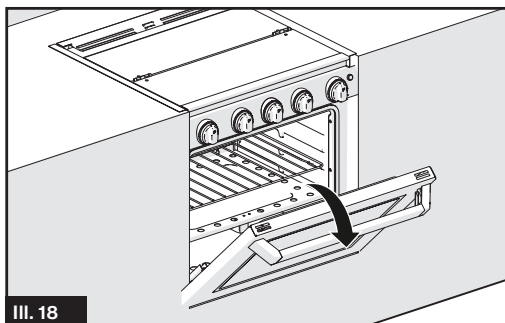
Pour éteindre les brûleurs de la table de cuisson, tournez les boutons de réglage dans le sens des aiguilles d'une montre pour les positionner sur **OFF**.

Allumage du four

REMARQUE : Avant que le brûleur du four ne fonctionne, la veilleuse du four doit être allumée.

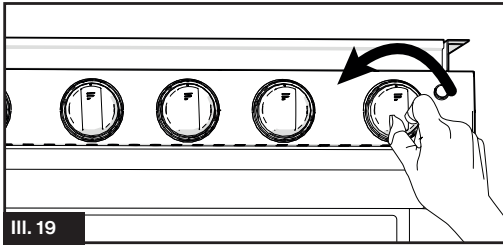
Avant allumage, vérifiez tous les boutons de réglage et assurez-vous que ceux-ci sont positionnés sur **OFF**. Assurez-vous que le robinet du réservoir de gaz principal est ouvert.

1. Tirez la poignée du four pour en ouvrir la porte. Si vous sentez une odeur de gaz, ARRÊTEZ tout! Reportez-vous à la section relative à l'installation, puis suivez les instructions répertoriées concernant l'appareil. (III. 18)



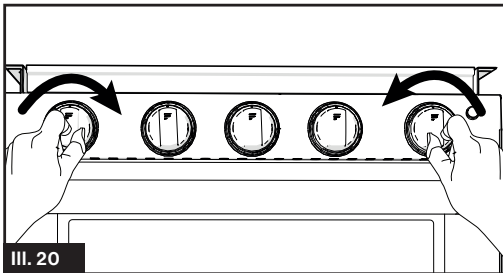
III. 18

- Appuyez et tournez le bouton de réglage du four dans le sens inverse des aiguilles d'une montre pour le positionner sur **▲**. (Ill. 19)



III. 19

- Maintenez le bouton de réglage du four enfoncé, puis tournez le bouton d'allumage dans le sens des aiguilles d'une montre à plusieurs reprises jusqu'à ce le brûleur du four s'allume. (Ill. 20)



III. 20

- Une fois le brûleur du four allumé, maintenez le bouton d'allumage enfoncé pendant environ 5 secondes jusqu'à ce que les flammes se stabilisent.
- Tournez le bouton de réglage du four pour régler les flammes au niveau souhaité.

En cas d'extinction des flammes pendant le processus d'allumage

▲ AVERTISSEMENT

Risques d'incendie!

Si les flammes s'éteignent accidentellement, du gaz se dégagera. Ne jamais laisser le brûleur à gaz sans surveillance en cours d'utilisation. Assurez-vous qu'il n'y a pas de courants d'air.

Positionnez immédiatement le bouton de réglage sur **OFF**. Patientez au moins 5 minutes avant de tenter de rallumer le brûleur du four.

Arrêt du four

▲ AVERTISSEMENT

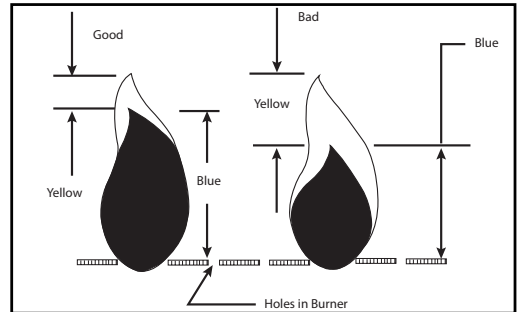
Fermez toujours le robinet de la bouteille de gaz lors du ravitaillement ou en déplacement.

Pour éteindre le four, tournez le bouton de réglage du four dans le sens des aiguilles d'une montre pour le positionner sur **OFF**.

Flammes du brûleur

Veillez à ce que vos bras et votre visage ne se trouvent pas directement au-dessus de la zone de cuisson lorsque vous utilisez le produit.

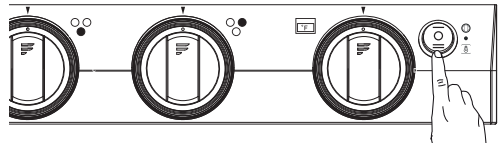
Les flammes doivent ressembler à la bonne flamme illustrée dans le schéma ci-dessous.



Elles doivent être bleues avec des pointes droites et jaunes. Certaines pointes jaunes sur des flammes d'une longueur maximale de 1 po (25,4 mm) sont acceptables tant qu'aucun dépôt de carbone ou de suie n'apparaît.

Si les flammes sont excessivement jaunes et irrégulières, les résidus d'huile peuvent ne pas être complètement brûlés, ou le venturi peut être bouché ou peut ne pas être correctement positionné sur les orifices.

Contrôle de la lampe



Position	Signification
— (Ⓜ)	Tous les voyants des boutons de réglage sont allumés.
○ (●)	Tous les voyants sont éteints
— (Ⓜ)	Tous les voyants des boutons de réglage et la lampe du four sont allumés.

Cuisson lente

La puissance des brûleurs latéraux est inférieure à celle du brûleur central. Nous vous recommandons d'utiliser les brûleurs latéraux pour toute cuisson lente.

Conseils de cuisson

Le four offre une large gamme de modes de cuisson vous permettant de faire cuire tout type d'aliments de la meilleure façon possible. Avec le temps, vous apprendrez à tirer le meilleur parti de cet appareil de cuisson polyvalent. Les instructions suivantes ne constituent que des directives susceptibles d'être modifiées en fonction de votre expérience personnelle.

⚠ AVERTISSEMENT

Risque d'intoxication alimentaire

- Ne pas laisser des aliments dans le four plus d'une heure avant ou après cuisson.
- Cela risque de provoquer une intoxication alimentaire.

Préchauffage

Le préchauffage du four à gaz ne réchauffe pas seulement l'air mais les parois et la porte, ce qui garantit que le four reviendra rapidement à cette température après ouverture et fermeture de la porte.

Le temps de préchauffage peut varier en fonction de la température de cuisson à régler. Temps de préchauffage minimum suggéré : 15 minutes.

Cuisson de gâteaux

Lorsque vous préparez des gâteaux, placez-les toujours au four après préchauffage (environ 15 minutes). La température se situe habituellement autour de 350 °F. Ne pas ouvrir la porte pendant la cuisson du gâteau afin de l'empêcher de s'affaisser.

En règle générale :

La pâte est trop sèche.	Augmentez la température de 50 °F, puis réduisez le temps de cuisson.
La pâte s'est affaïssée	Utilisez moins de liquide ou réduisez la température de 50 °F.
La pâte est trop sombre en surface.	Placez-la sur une grille inférieure, réduisez la température, puis augmentez le temps de cuisson.
Bien cuite à l'intérieur mais collante à l'extérieur.	Utilisez moins de liquide, réduisez la température, puis augmentez le temps de cuisson.
La pâte colle à la poêle.	Graissez convenablement la poêle et la saupoudrer de farine ou utiliser du papier sulfurisé.

Cuisson de pizzas

Pour préparer de délicieuses pizzas croustillantes :

- Préchauffez le four pendant au moins 15 minutes.
- Placez la plaque à pizza sur la grille livrée avec le four. Si vous utilisez la lèche-frite, le temps de cuisson sera prolongé, ce qui rendra difficile l'obtention d'une croûte croustillante.
- Ne pas ouvrir la porte du four fréquemment pendant la cuisson de la pizza.

- Si la pizza contient beaucoup de garnitures (trois ou quatre), nous vous recommandons d'y ajouter le fromage mozzarella à mi-cuisson.

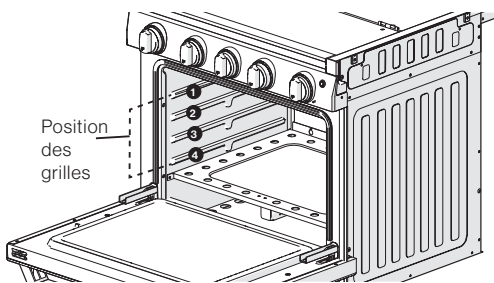
Cuisson de poisson et de viande

Lorsque vous cuisinez de la viande blanche, de la volaille et du poisson, utilisez des réglages de température comprises entre 335 °F et 375 °F.

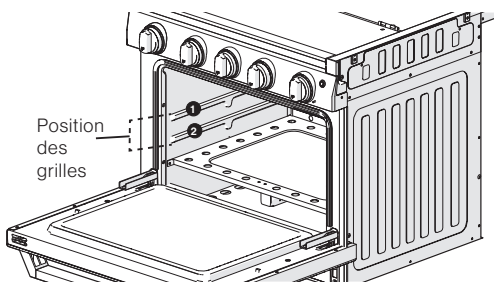
Pour les viandes rouges qui doivent être cuites à point à l'extérieur tout en étant tendres et juteuses à l'intérieur, il est judicieux de commencer par un réglage de température élevée (375 °F à 425 °F) pendant un court moment, puis réduisez la température du four par la suite.

En règle générale, plus le rôti est gros, plus le réglage de la température est bas. Placez la viande au centre de la grille, puis placez la lèche-frite en dessous pour récupérer la graisse.

Veillez à insérer la grille afin qu'elle soit au centre du four. Si vous souhaitez augmenter la quantité de chaleur par le bas, utilisez les hauteurs de la grille inférieure. Pour les rôtis savoureux (en particulier du canard et du gibier sauvage), assaisonnez la viande avec du saindoux ou du bacon.



Four de cuisinière 21 po



Four de cuisinière 17 po

Nettoyage et Entretien

- Assurez-vous que tous les boutons de réglage sont positionnés sur « OFF » et que l'appareil est froid avant de le nettoyer.
- Assurez-vous que toutes les surfaces de l'appareil, les grilles des brûleurs ainsi que les brûleurs sont froids avant de les nettoyer ou de les démonter.
- NE PAS utilisez de javellisant ni de décapants pour la rouille sur la table de cuisson ou les grilles des brûleurs.
- NE PAS obstruer le flux d'air de combustion et d'aération.
- Veuillez tenir les matériaux combustibles, l'essence, les diluants à peinture et autres vapeurs et liquides inflammables à l'écart de la zone de l'appareil.
- Nettoyez le four à l'aide d'un nettoyant à four uniquement. Suivez les instructions qui figurent sur le contenant.
- NE jamais utiliser de brosse métallique ou d'objet métallique pour nettoyer les orifices du brûleur. La brosse risque de « perdre » des poils qui peuvent se loger dans l'orifice ou dans les orifices des brûleurs et entraîner des risques d'incendie ou d'explosion.
- Nettoyez toutes les surfaces dès que possible après des débordements.
- Utilisez uniquement de l'eau tiède savonneuse pour nettoyer les grilles des brûleurs, les tables de cuisson, les surfaces peintes, les surfaces en porcelaine, les surfaces en acier inoxydable et les objets en plastique de votre cuisinière ou de votre table de cuisson. Ne pas utiliser de produits de nettoyage abrasifs ou à base d'acide. Ne pas utiliser de produits de nettoyage contenant de l'ammoniac. Ces produits de nettoyage sont corrosifs et pourraient endommager les composants de la cuisinière.
- NE PAS utiliser de laine d'acier, ni de produits de nettoyage abrasifs, ni de produits de nettoyage à base d'acide tels que l'eau de Javel au chlore sur votre table de cuisson ou votre système de grille. Ceux-ci risquent d'endommager votre cuisinière ou votre table de cuisson. Utilisez uniquement des tampons à récurer non abrasifs en plastique.
- NE PAS laisser des aliments contenant des acides (notamment du citron, du jus de tomate ou du vinaigre) sur des surfaces en porcelaine ou des surfaces peintes. Les acides risquent d'enlever le fini brillant. Essuyez les œufs renversés lorsque la table de cuisson est froide.
- NE PAS laver les surfaces en porcelaine tièdes. Laissez refroidir ces zones avant de les nettoyer. Vous risquez des brûlures ou la porcelaine pourrait se fissurer.
- De la corrosion par piqûres et de la décoloration risquent de se produire si vous laissez des déversements en l'état pendant un certain temps sur de l'acier inoxydable.
- NE PAS laisser de débordements en l'état sur les chapeaux de brûleurs. Lesdits chapeaux pourraient être tachés de façon permanente.
- Lorsque vous nettoyez autour des brûleurs, veillez à ne pas endommager l'électrode (le cas échéant). Si une éponge ou un chiffon attrape l'électrode métallique de l'allumeur, cela pourrait l'endommager ou la casser. Si cela se produit, le brûleur ne s'allumera pas.

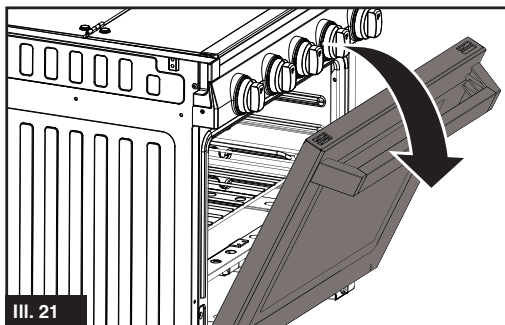
Porte du four

⚠ AVERTISSEMENT

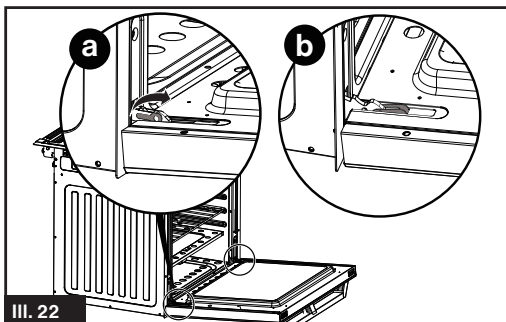
Lors du retrait de la porte :

- Ne pas placer un poids excessif sur une porte de four ouverte et ne pas se tenir debout sur une porte de four ouverte car, dans certains cas, la cuisinière pourrait se renverser, se casser ou être endommagée au point de rendre la cuisinière trop dangereuse, ou blesser gravement l'utilisateur.
- Lorsque vous ouvrez la porte du four, laissez la vapeur et l'air chaud s'en échapper avant de faire entrer les mains dans le four pour vérifier, y ajouter ou en retirer des aliments.
- Assurez-vous que le four est froid et que le four a été mis hors tension avant d'en retirer la porte. Le non-respect de cette consigne peut entraîner des risques d'électrocution ou de brûlures.
- La porte du four est lourde et fragile. Utilisez les deux mains pour retirer la porte du four. L'avant de la porte est en verre. À manipuler avec précaution afin de prévenir tout risque de bris.
- Saisissez uniquement les côtés de la porte du four. Ne pas saisir la poignée, car elle risquerait de se balancer et de provoquer des dommages ou des blessures.
- Le fait de ne pas saisir la porte du four correctement et fermement peut entraîner des risques de blessures corporelles ou endommager le produit.
- Pour prévenir tout risque de blessure en cas de fermeture du support de la charnière, assurez-vous que les deux leviers sont solidement en place avant de retirer la porte. En outre, ne pas ouvrir ou fermer de force la porte : la charnière risque d'être endommagée et d'entraîner des risques de blessures.

1. Veillez à lire l'**AVERTISSEMENT** ci-dessus avant d'essayer de retirer la porte du four.
2. Ouvrez complètement la porte. (Ill. 21)

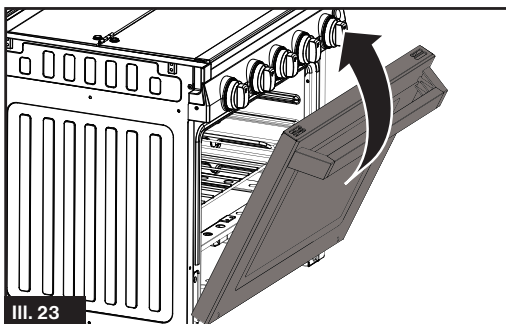


- Faites pivoter vers vous les leviers situés sur les charnières (un de chaque côté). (III. 22)



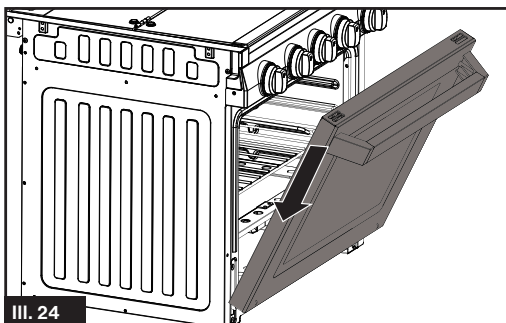
III. 22

- Fermez hermétiquement la porte. Elle sera à moitié ouverte. (III. 23)

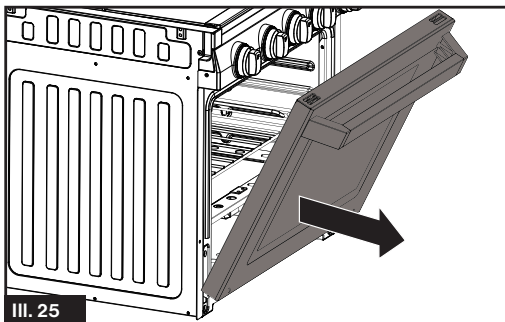


III. 23

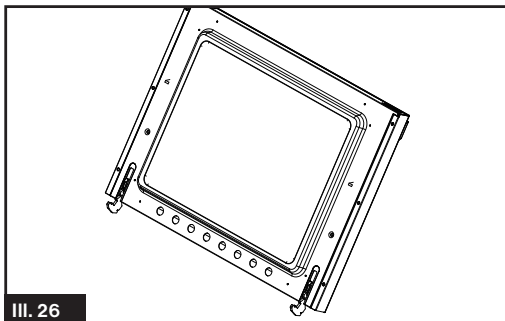
- En tenant la porte fermement des deux côtés et des deux mains, tirez la porte pour la déloger des fentes des charnières. (III. 24, III. 25 et III. 26) Tenez fermement, la porte est lourde.



III. 24



III. 25

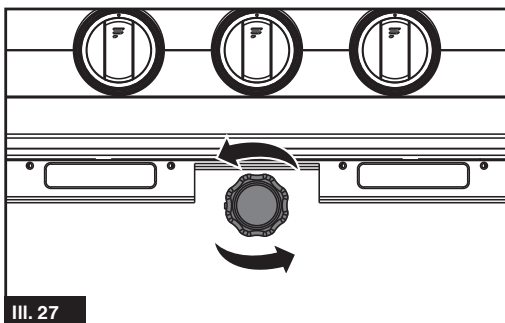


III. 26

- Placez la porte sur une surface plane protégée afin qu'elle n'endommage pas le matériau de la surface.

Remplacement de la lampe d'un four

- Débranchez le four de la source d'alimentation à l'aide du commutateur ayant servi à brancher l'appareil à une prise de courant ou débranchez l'appareil si la fiche est accessible.
- Retirez le couvercle en verre de la douille de la lampe. (III. 27)

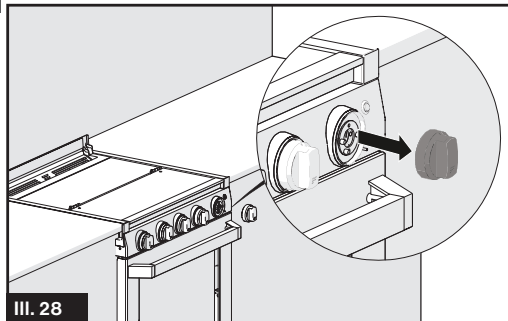


III. 27

3. Retirez la lampe, puis remplacez-la par une lampe résistante aux températures élevées (572 °F) présentant les caractéristiques suivantes :
 - Tension : 12 V
 - Puissance en watts : 15 W
 - Type : G9
 - Type de lampe : Halogène
 4. Remettez en place le couvercle en verre.
 5. Rebranchez le four.
- Pour passer commande de l'ampoule de recharge du four Furriion, veuillez contacter le service technique Furriion pour obtenir de l'aide.

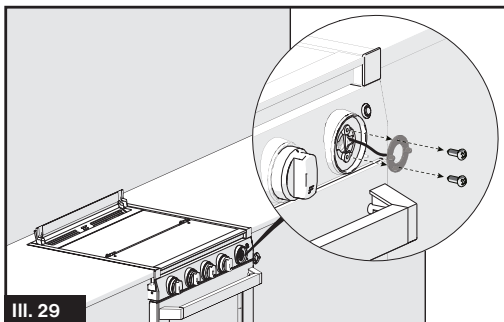
Remplacement du voyant LED du bouton de réglage

1. Débranchez le four de la source d'alimentation à l'aide du commutateur ayant servi à brancher l'appareil à une prise de courant ou débranchez l'appareil si la fiche est accessible.
2. Saisissez, puis tirez sur le bouton de réglage dont le voyant LED est brisé. (III. 28)



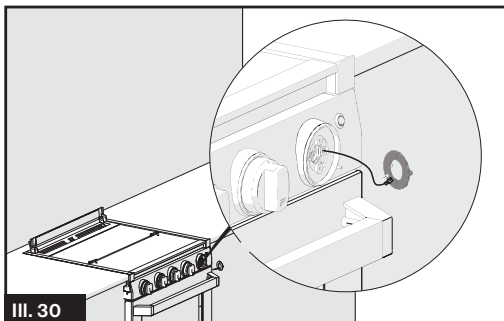
III. 28

3. Retirez les deux vis qui retiennent le voyant LED à l'aide d'un tournevis Phillips. (III. 29)



III. 29

4. Retirez le module LED, puis débranchez le câble du socle du module LED. (III. 30)



III. 30


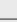
5. Branchez le connecteur de faisceaux de câbles dans le nouveau module LED.
6. Refixez le module LED à la console à l'aide des 2 vis retirées à l'étape 3. Assurez-vous que les câbles ne sont pas pincés pendant ce processus.
7. Refixez le bouton de réglage en alignant la tige de la commande sur l'ouverture située dans le logement du bouton de réglage et en appuyant dessus pour qu'il se remette en place.

Rangement

Séchez toutes les surfaces ainsi que le boîtier du brûleur, puis pulvérisez une substance à base d'huile de cuisson sur les surfaces afin de prévenir toute formation de rouille sur celles-ci en cas de rangement prolongé. Essuyez la couche d'huile avant toute nouvelle utilisation.

Dépannage

Avant de faire appel au service technique, veuillez consulter la liste ci-après. Cette démarche peut vous faire gagner du temps et économiser de l'argent. Cette liste répertorie les expériences courantes qui ne résultent pas d'une fabrication ou d'un matériau défectueux dans votre appareil.

Problème	Cause/Solution possible
Les brûleurs de surface ne s'allument pas.	Le bouton de réglage de surface n'a pas été complètement positionné sur  . Enfoncez et tournez le bouton de réglage de surface pour le positionner sur  jusqu'à ce que le brûleur s'allume, puis tournez le bouton de réglage sur la taille de flammes souhaitée.
	Assurez-vous que le robinet d'alimentation en gaz est ouvert.
	Les orifices ou les fentes du brûleur sont bouchés. Lorsque le brûleur est éteint, utilisez un fil ou une aiguille de petite épaisseur pour nettoyer les orifices ou les fentes.
	Niveau de gaz bas dans la bouteille.
Les flammes du brûleur de surface brûlent sur la moitié de la circonférence de la tête du brûleur.	De l'humidité est présente sur le brûleur, séchez soigneusement le brûleur.
	Les orifices ou les fentes du brûleur sont bouchés. Lorsque le brûleur est éteint, nettoyez les orifices ou les fentes à l'aide d'un fil ou d'une aiguille de petite épaisseur.
	De l'humidité persiste après nettoyage. Attisez légèrement les flammes, puis laissez le brûleur fonctionner jusqu'à ce que les flammes soient complètes. Séchez les brûleurs à fond.
Les flammes du brûleur de surface sont oranges	Présence de particules de poussière dans la conduite principale. Laissez le brûleur fonctionner quelques minutes jusqu'à ce que les flammes deviennent bleues.
	Dans les zones côtières, des flammes légèrement oranges sont inévitables en raison de l'air salin.

Caractéristiques

Caractéristiques techniques

Alimentation optionnelle	Alimentation par gaz
BTU/HR	Brûleurs gauche et droit : 6 500 BTU
	Brûleur avant 8 000 BTU
	Four 7 100 BTU
Carburant/Électricité	Propane
Pression d'entrée	10 po WC Min à 13,8 po WC Max
Puissance d'entrée	12 V DC < 2 A
Volume intérieur du four	Four de cuisinière de 17 po 35 l
	Four de cuisinière de 21 po 51 l

Cet appareil est conforme aux directives suivantes : ANSI Z21.57a-(2012) Rec/CAN1-1.16-M79 (R2011)

Gracias por comprar este producto de Furrion®. Antes de usar su nuevo electrodoméstico, lea atentamente estas instrucciones. Este manual de instrucciones contiene información relativa al uso seguro, a la instalación y al mantenimiento del electrodoméstico.

Guarde este manual de instrucciones en un lugar seguro para usarlo como referencia a futuro. Esto garantizará un uso seguro y reducirá el riesgo de lesiones. Asegúrese de entregar este manual a los nuevos propietarios del electrodoméstico.

El fabricante no acepta responsabilidad por daños provocados por no seguir estas instrucciones.

ADVERTENCIA: Si no se sigue exactamente la información de este manual, puede producirse un incendio o una explosión que provoque daños materiales, lesiones personales o la muerte.

- **No almacene ni utilice gasolina u otros vapores y líquidos inflamables cerca de este o cualquier otro electrodoméstico.**
- **QUE DEBE HACER SI HAY OLOR A GAS:**
 - **No intente encender ningún electrodoméstico.**
 - **No toque ningún interruptor eléctrico.**
 - **No utilice ningún teléfono en su casa rodante.**
 - **Evacúe a todos los ocupantes de la casa rodante.**
 - **Cierre la válvula del contenedor de gas o el contenedor principal.**
 - **Llame inmediatamente a su proveedor de gas para obtener instrucciones.**
 - **Si no puede comunicarse con su proveedor de gas, llame al departamento de bomberos.**
- **Haga revisar el sistema de gas y solucione la fuga con un instalador cualificado, una agencia de servicio, un fabricante, un distribuidor o el proveedor de gas.**

Índice

Índice	37
Explicación de los símbolos	38
Instrucciones de seguridad importantes	38
Advertencias generales de seguridad	38
Advertencias generales del anafe	39
Advertencias de seguridad del horno	40
Resumen del producto	41
Instalación	42
Contenido	42
Instrucciones de corte para el armario	42
Instalación del horno	43
Conexión de gas	44
Conexión eléctrica	45
Reemplazo de la tapa de vidrio	45
Verificación de fugas	46
Funcionamiento	46
Encendido del anafe	46
Apagado del anafe	47
Encendido del horno	47
Apagado del horno	48
La llama del quemador	48
Control de la luz	48
Cocción lenta	48
Consejos de cocción	49
Precalentamiento	49
Hornenado de pasteles	49
Cocción de pizza	49
Cocción de carne y pescado	49
Limpieza y Mantenimiento	50
La puerta del horno	50
Cambio de la lámpara del horno	51
Cambio de la luz LED de la perilla de control	52
Almacenamiento	52
Resolución de problemas	53
Especificaciones	53

Explicación de los símbolos

Este manual tiene información de seguridad e instrucciones para ayudarle a eliminar o reducir el riesgo de accidentes y lesiones. Respete siempre todas las advertencias de seguridad identificadas con estos símbolos. Una palabra de aviso identificará los mensajes de seguridad y de daños a la propiedad, e indicará el grado o nivel de gravedad del peligro.

PELIGRO

Indica una situación peligrosa que, de no evitarse, provocará la muerte o lesiones graves.

ADVERTENCIA

Indica una situación potencialmente peligrosa que, de no evitarse, podría provocar la muerte o lesiones graves.

PRECAUCIÓN

Indica una situación potencialmente peligrosa que, de no evitarse, podría provocar lesiones personales menores o moderadas, o bien daño a la propiedad.

Instrucciones de seguridad importantes

Las advertencias e instrucciones de seguridad importantes que aparecen en esta guía no están hechas para cubrir todas las posibles condiciones situaciones que puedan ocurrir. Se debe usar el sentido común, la precaución y el cuidado en todo momento al instalar, mantener y usar el electrodoméstico.

Contacte siempre al fabricante en torno a problemas o condiciones que no comprenda.

Lea y siga todas las instrucciones antes de usar este electrodoméstico para prevenir el riesgo potencial de incendio, descarga eléctrica, lesiones personales o daños al electrodoméstico como resultado de un uso inadecuado del mismo. Utilice el electrodoméstico únicamente para el uso previsto, tal y como se describe en esta guía.

Si se utiliza una fuente eléctrica externa, el electrodoméstico debe estar conectado a tierra de acuerdo con las normas del estado u otros códigos o, en ausencia de dichas normas, con el Código Eléctrico Nacional, ANSI/NFPA 70. No intente ajustar, reparar, realizar el mantenimiento o reemplazar ninguna pieza de su electrodoméstico a menos que se recomiende específicamente en esta guía. Todas las demás reparaciones deben ser realizadas por un técnico de servicio cualificado.

- Si el usuario de este electrodoméstico no lo mantiene en el estado en que fue enviado de fábrica o si el aparato no se utiliza exclusivamente para el uso previsto o si el aparato no se mantiene de acuerdo con las instrucciones de este manual, existe el riesgo de que se produzca un incendio y/o que se genere monóxido de carbono que pueda causar lesiones personales, daños materiales o víctimas mortales.

ADVERTENCIA

EXPLOSIÓN O INCENDIO

- Apague todos los aparatos de gas y las luces piloto cuando reabastezca los tanques de gasolina o gas o cuando el vehículo esté en movimiento.
- Los electrodomésticos de cocción a gas Furrion se utilizan únicamente con gas licuado de petróleo y se instalan únicamente en vehículos recreativos (por ejemplo, remolques de viaje, autocaravanas, casas rodantes, etc.).

ADVERTENCIA

INTOXICACIÓN POR MONÓXIDO DE CARBONO

- NO utilice este aparato para calentar o calefaccionar el vehículo. Podría sufrir quemaduras o lesiones, provocar un incendio o agotar el oxígeno en el vehículo.
- Se debe tener una ventana o una salida de aire ligeramente abiertas mientras se use cualquier aparato de cocción. Las llamas de gas consumen oxígeno, el cual debe ser reemplazado para asegurar una combustión adecuada.
- NO almacene ni utilice gasolina u otros vapores y líquidos inflamables cerca de este o cualquier otro electrodoméstico.
- NO utilice el electrodoméstico si está dañado o no funciona correctamente.
- Nunca intente reparar el electrodoméstico usted mismo. Cualquier reparación o instalación de este electrodoméstico debe ser realizada por un instalador cualificado, una agencia de servicio o el proveedor de

Advertencias generales de seguridad

ADVERTENCIA

- Una instalación, ajuste, servicio o mantenimiento inadecuados pueden provocar lesiones, daños materiales o la muerte. Consulte este manual. Para obtener asistencia o información adicional, consulte a un instalador cualificado, a una agencia de servicio, al fabricante o al proveedor de gas.
- Evite utilizar su electrodoméstico o cualquier otro aparato si hay olor a gas. No suponga que el olor a gas en su casa rodante es normal. Cada vez que usted detecte olor a gas, debe considerarse como una amenaza con riesgo de vida y se debe corregir inmediatamente. Apague cualquier llama abierta, incluidos los cigarrillos, y evacúe a todas las personas del vehículo. Cierre el suministro de gas en el tanque de gas.

gas y conforme a las instrucciones de este manual. La reparación o mantenimiento del electrodoméstico por parte de una persona o agencia de servicio no autorizada podría provocar una falla en la integridad del electrodoméstico y podría ocasionar daños materiales, lesiones graves o víctimas mortales.

- Solicite a su distribuidor que le muestre dónde se encuentra la válvula principal de cierre de gas y cómo cerrarla en caso de emergencia.
- Utilice el electrodoméstico únicamente para el uso previsto.
- Se debe enseñar a los niños que el electrodoméstico no es un juguete. No se les debe permitir jugar con los controles ni con ninguna otra parte del electrodoméstico. No permita que nadie se pare o se sienta encima del electrodoméstico, sino que también puede ocasionar lesiones personales.
- No guarde objetos de interés para los niños en armarios que estén encima o cerca del electrodoméstico. Si los niños se suben al electrodoméstico para alcanzar objetos pueden sufrir lesiones graves.
- Todas las perillas de control deben estar apagadas cuando no estén en uso. Puede haber peligro de incendio y/o sufrir quemaduras si se deja encendido accidentalmente un quemador.
- Si algún quemador se apaga (después de haberlo encendido o debido al viento), cierre todas las perillas de los quemadores y espere cinco (5) minutos antes de intentar encenderlo de nuevo.
- NO guarde materiales inflamables sobre, dentro o cerca del electrodoméstico. Cualquier vapor o gas puede crear una explosión y/o peligro de incendio.
- No use ropa holgada o de manga larga mientras utilice el electrodoméstico. Si entran en contacto con la llama abierta del quemador, podrían encenderse y causar quemaduras graves.
- Utilice únicamente paños o guantes de cocina secos para quitar los utensilios calientes. El uso de paños o guantes de cocina húmedos en superficies calientes puede provocar quemaduras en las manos. No utilice una toalla o un paño voluminoso como guante de cocina. El paño podría entrar en contacto con la llama abierta y prenderse fuego.
- Nunca caliente un recipiente sin abrir. La acumulación de presión dentro del recipiente puede hacer que explote.
- No utilice agua para apagar incendios provocados por grasa o aceite. Nunca recoja un recipiente de cocción en llamas. Ahogue el fuego de un recipiente de cocción en llamas con una tapa u otro recipiente plano. La grasa en llamas fuera del recipiente de cocción se puede extinguir con bicarbonato de sodio o con un extintor de polvo químico seco multipropósito.
- Este electrodoméstico está diseñado para ser instalado en una estructura de armario únicamente y no está diseñado para ser instalado a la estructura del edificio.

Advertencias generales del anafe

- No coloque las ollas sobre la superficie del vidrio. Levante la tapa hasta la posición completamente abierta antes de encender los quemadores. Deje enfriar el anafe antes de

cerrar la tapa de vidrio.

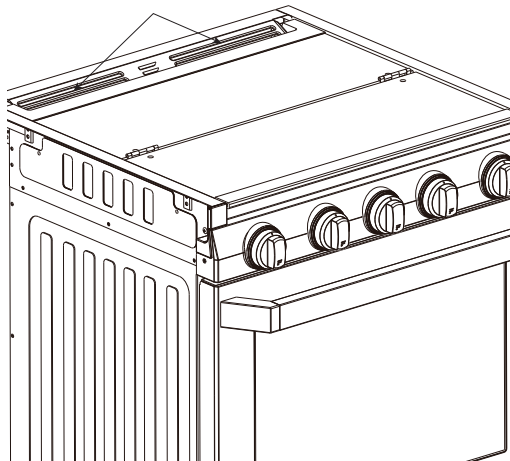
- Si el anafe está cerca de una ventana, se deben tomar las precauciones adecuadas para evitar que el viento mueva las cortinas sobre los quemadores lo cual genera un riesgo de incendio.
- Mantenga limpia el área alrededor del anafe y retire cualquier material combustible, gasolina u otros vapores y líquidos inflamables. Si no lo hace, puede provocar una explosión y/o un incendio.
- No deje a los niños solos o sin supervisión en el área donde se esté usando el anafe. Los quemadores superiores, las rejillas de los quemadores y otras áreas cercanas a los quemadores se calientan lo suficiente como para provocar quemaduras graves.
- Mantenga limpio el anafe. La acumulación de grasa y alimentos derramados o vertidos puede generar un riesgo de incendio.
- Gire las asas de las ollas hacia adentro o hacia atrás del anafe y fuera del alcance de las personas que pasen por delante del anafe y/o fuera del alcance de los niños. No gire las manijas hacia donde están sobre los quemadores.
- Nunca deje los quemadores superiores desatendidos.
 - Por motivos tales como corrientes de aire que podrían generarse al abrir y cerrar puertas de los armarios o puertas dentro de la casa rodante o por presiones de aire positivas o negativas que afecten a los quemadores debido a una instalación inadecuada. (Consulte la sección de instalación) El quemador podría apagarse, lo que provocaría la salida de gas hacia la casa rodante. Recuerde, el flujo de gas hacia cada quemador se controla manualmente, debe girar las perillas para encender y apagar el flujo de gas.
 - Podría producirse un rebosamiento y el derrame podría inflamarse.
- Tamaño de la llama
 - Nunca permita que la llama se extienda más allá del borde exterior del recipiente de cocción. Una llama más alta simplemente desperdicia calor y energía.
 - El tamaño correcto de la llama se determina por el tamaño y el material del recipiente de cocción, lo que se está cocinando y si se está cocinando, o no, con líquidos.



- Para evitar daños en el anafe, los quemadores superiores o la rejilla superior, nunca encienda un quemador superior sin colocar un recipiente de cocción en su lugar. Los quemadores superiores, especialmente los que cuentan con ajuste fuerte, no se deben utilizar con fuego fuerte durante un período de tiempo prolongado. El ajuste de fuego fuerte debe utilizarse únicamente para comenzar a cocinar los alimentos o para llevar los líquidos al punto de ebullición y luego se debe reducir la llama a un ajuste más bajo para continuar la cocción. Utilice el ajuste de llama baja para mantener los alimentos calientes. Recuerde, una cocina a gas se calienta más rápido que una cocina eléctrica, por lo tanto, experimente con varios ajustes hasta que se acostumbre a cocinar con gas.

- Nunca use utensilios de cocina que sobresalgan más de una pulgada de la rejilla (tamaño máximo de los recipientes de cocción: 10" de diámetro). Nunca coloque el utensilio de cocina sobre la rejilla en dos quemadores superiores encendidos. Esto generará una acumulación excesiva de calor que podría provocar daños a la parrilla, quemadores superiores y anafe.
- Verifique que haya suficiente suministro de gas antes de intentar encender cualquier quemador superior. El aire en la línea de suministro de gas retrasará significativamente el encendido del quemador y un quemador puede encenderse inesperadamente cuando el aire en la línea se despeje y sea reemplazado por gas, este encendido inesperado puede provocarle quemaduras. Puede entrar aire en el conducto de suministro cuando se sustituya el cilindro de gas del vehículo, durante el mantenimiento de otros electrodomésticos a gas, etc.
- NO toque los quemadores superiores, las rejillas de los quemadores ni otras áreas cercanas a los quemadores superiores durante y después de su uso. No permita que la ropa u otros materiales inflamables entren en contacto con los quemadores superiores o las áreas cercanas a los quemadores superiores hasta que hayan tenido suficiente tiempo para enfriarse.
- Asegúrese de que los utensilios que utiliza sean lo suficientemente grandes para contener alimentos y evite que rebosen y se desborden. Las salpicaduras fuertes o los derrames que queden en el anafe pueden encenderse y provocarle quemaduras.
- Asegúrese de que los utensilios de cocina de vidrio sean seguros para su uso en el anafe. Solo ciertos tipos de utensilios de vidrio son adecuados para utilizarse en la superficie o en los quemadores superiores sin romperse debido a los cambios repentinos de temperatura.
- La grasa es inflamable. Nunca permita que se acumule grasa alrededor de los quemadores superiores o en la superficie del anafe. Limpie los derrames inmediatamente.
- Tenga cuidado al encender un quemador superior a mano. Si el quemador se enciende inesperadamente o si su mano está cerca del quemador, usted puede sufrir quemaduras.
- NO deje caer bandejas sobre la superficie esmaltada. El esmalte puede agrietarse o astillarse.
- NO deje un utensilio vacío, o uno que haya hervido hasta secarse, en un quemador superior caliente. El utensilio podría sobrecalentarse y se podría dañar el utensilio o la cocina.
- NO toque la superficie exterior de la puerta del horno ni la rejilla de ventilación mientras el horno esté en uso. Estas superficies pueden calentarse lo suficiente como para provocar quemaduras. Durante y después del uso, no permita que la ropa u otros materiales inflamables entren en contacto con estas áreas hasta que hayan tenido suficiente tiempo para enfriarse.
- NO cubra los orificios de ventilación en la Rejilla difusora de llamas (encima del quemador del horno). La circulación de aire dentro del horno se interrumpirá y los tiempos de cocción normales sufrirán variaciones, los alimentos pueden quemarse o no quedar bien cocidos.
- NO utilice el horno como área de almacenamiento.
- Si el piloto del horno se apaga después de haberlo encendido o debido al viento, cierre todas las perillas del horno y espere cinco (5) minutos antes de intentar encenderlo de nuevo.
- Siempre coloque las rejillas del horno en el lugar deseado mientras el horno esté frío. Si se debe mover una rejilla mientras el horno esté caliente, no permita que el paño o guante de cocina entre en contacto con el elemento calefactor del horno.
- Tenga cuidado al abrir la puerta del horno, permita que salga el aire caliente o el vapor antes de retirar o volver a colocar alimentos.
- No cubra las aberturas de ventilación del horno cuando se esté usando el horno. Si se cubren las rejillas de ventilación se restringe el flujo de aire de combustión hacia el quemador del horno y podría causar una mala combustión y la formación de monóxido de carbono.

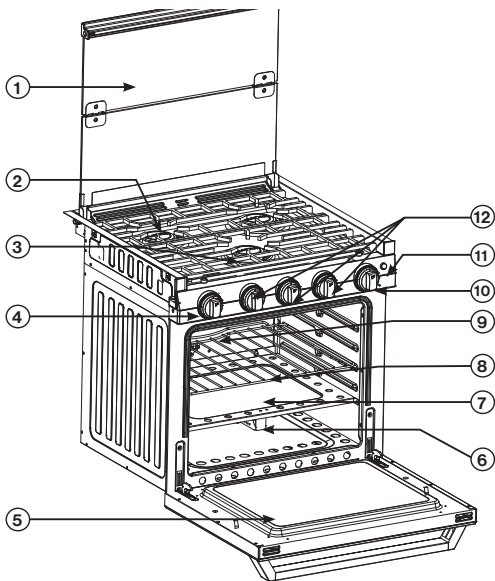
Oven Vent



Advertencias de seguridad del horno

- NO toque ninguna superficie interior del horno o de la puerta del horno, ni la rejilla interior, ni ningún utensilio dentro del horno durante y después de su uso hasta que estas superficies hayan tenido suficiente tiempo para enfriarse. Podría sufrir quemaduras o lesiones. Durante y después del uso, no permita que la ropa u otros materiales inflamables entren en contacto con estas áreas hasta que hayan tenido suficiente tiempo para enfriarse.

Resumen del producto



①	Tapa de vidrio
②	Rejilla
③	Quemador del anafe
④	Perilla de ignición
⑤	Puerta del horno
⑥	Quemador del horno
⑦	Rejilla difusora de llamas
⑧	Rejilla de cocción
⑨	Luz del horno
⑩	Perilla de control del horno
⑪	Interruptor de la luz
⑫	Perillas de control de los quemadores del anafe

Instalación

⚠ ADVERTENCIA

INCENDIO, EXPLOSIÓN, LESIÓN POR QUEMADURAS, INTOXICACIÓN POR MONÓXIDO DE CARBONO

- El electrodoméstico de cocina debe estar completamente separado y/o aislado de otros dispositivos que muevan o consuman aire, tales como, aunque no exclusivamente, calderas, hornos de microondas, secadoras de ropa, ventiladores de enfriamiento y puertas o cajones en armarios comunes. Si no lo hace, el suministro de aire de combustión del electrodoméstico se verá afectado por la creación de una corriente de aire negativa o positiva.
- La CORRIENTE DE AIRE NEGATIVA causada por electrodomésticos que mueven aire puede hacer que la llama del quemador superior descienda hacia o dentro del anafe y que provoque daños en el anafe, peligro de sufrir quemaduras, posibilidad de explosión y/o acumulación de monóxido de carbono.
- La CORRIENTE DE AIRE NEGATIVA puede apagar la llama del quemador superior durante el uso y provocar una explosión y/o peligro de incendio y/o lesiones a los ocupantes del vehículo.
- NO opere el electrodoméstico en condiciones de viento excesivo, ya que esto puede causar una corriente de aire negativa o positiva.

⚠ ADVERTENCIA

La instalación de este electrodoméstico se debe ejecutar siguiendo las instrucciones indicadas en este manual. Ningún agente, representante o empleado de Furrion u otras personas tienen la autoridad de cambiar, modificar o anular lo indicado en las instrucciones de este manual.

La instalación debe cumplir con las normas locales o, en caso de no existir una reglamentación específica, consulte la última edición de las siguientes normas:

En los Estados Unidos:

- Norma para vehículos recreativos NFPA 1192
- Código Nacional de Gas Combustible ANSI Z223.1/NFPA 54

En Canadá, la instalación debe cumplir con:

- Norma CAN/CSA Z-240.4.2-08, Requisitos de instalación para equipos y electrodomésticos a gas propano en vehículos recreativos.
- Todos los códigos y regulaciones locales aplicables.

Contenido

Asegúrese de que todos los artículos siguientes estén incluidos en el empaque. Si alguno de estos elementos está dañado o no viene incluido en el empaque, contacte al punto de venta donde adquirió el producto.

- 1 Cocina con horno y anafe
- 2 Rejillas del anafe
- 1 Rejilla

- 1 Manual de instrucciones
- 1 Manual de garantía

Instrucciones de corte para el armario

Para el funcionamiento correcto de su aparato de cocción, los armarios deben estar correctamente contruidos y a escuadra con respecto a la parte superior de la encimera y a la parte frontal del armario.

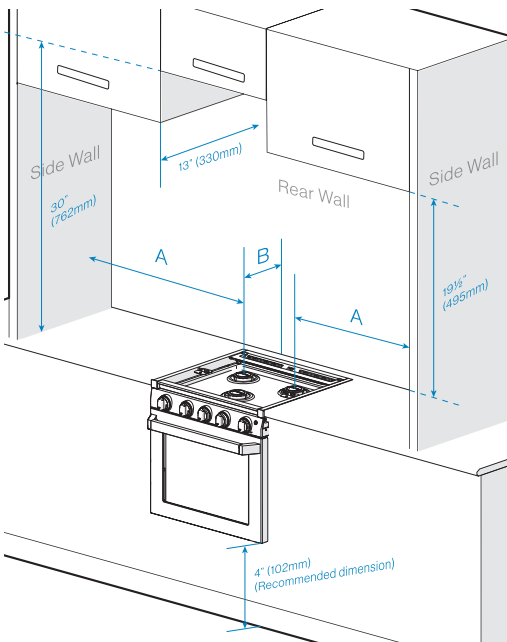
Para que estas unidades funcionen correctamente, el armario debe estar nivelado y la parte inferior del electrodoméstico debe estar apoyada.

NOTAS: Cuando planifique el lugar de instalación, tenga en cuenta las cortinas u otros materiales combustibles instalados alrededor del electrodoméstico para no generar un riesgo de incendio.

La distancias horizontales mínimas desde los laterales y parte posterior del electrodoméstico hasta las paredes combustibles verticales adyacentes que se extienden por encima del panel superior son las siguientes:

Objeto	Dimensiones
A	7¼" Min. (184 mm Min.)
B	8" Min. (203 mm Min.)

NOTA: Estas distancias se deben medir desde el centro del quemador del electrodoméstico.



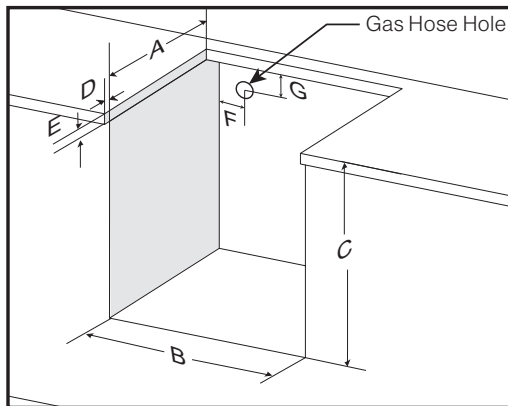
⚠ ADVERTENCIA

La distancia vertical mínima con respecto al material combustible por encima de la superficie de cocción es de 30" (762 mm), siempre y cuando la construcción superior no se extienda 13" (330 mm) desde la pared trasera. La distancia recomendada entre el suelo y la parte inferior de la abertura del corte es 4" (102 mm).

NOTA: Si instala una campana de cocina o una combinación de campana con microondas encima del anafe, siga las instrucciones de instalación de la campana de cocina o de la combinación de campana con microondas para respetar las distancias de separación encima de la superficie de cocción.

Dimensiones de corte del armario y la encimera:

Objeto	Modelo	
	Gama RV 17"	Gama RV 21"
A	17¾" (451 mm)	17¾" (451 mm)
B	20⅝" (511 mm)	20⅝" (511 mm)
C	16⅞" (410 mm)	20⅞" (510 mm)
D	1⅝" (23 mm) máx.	1⅝" (23 mm) máx.
E	1½" (38 mm) máx.	1½" (38 mm) máx.
F	4⅝" (110 mm)	4⅝" (110 mm)
G	3⅞" (90 mm)	3⅞" (90 mm)



Instalación del horno

Cuando el armario haya sido preparado de acuerdo con las dimensiones especificadas y la línea de gas esté en su lugar:

1. Retire la cocina de la caja de cartón y colóquela en una superficie plana. Retire los materiales del embalaje.
2. Sostenga el separador y tire hacia arriba para liberar la unidad que conforma la cubierta superior de vidrio del horno. (Fig. 1)

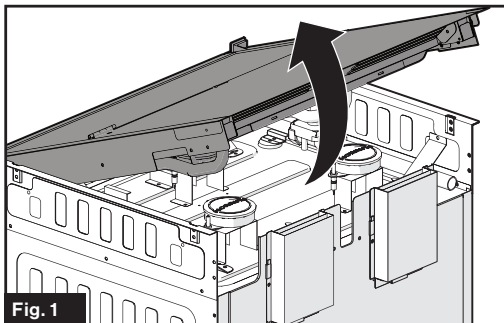


Fig. 1

3. Empuje hacia la parte posterior del horno y levante para retirar la tapa superior de vidrio del horno. (Fig. 2)

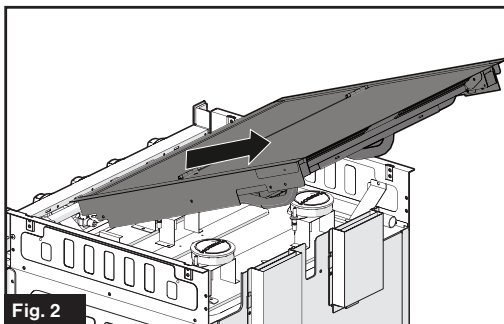


Fig. 2

4. Deslice la cocina en la abertura del armario. Verifique que el horno esté nivelado de lado a lado y de adelante hacia atrás. (Fig. 3)

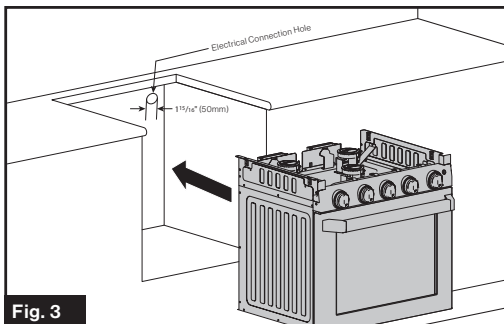


Fig. 3

5. Atornille la cocina en la abertura del armario en el lateral izquierdo y derecho con los cuatro tornillos autorroscantes (2 tornillos en cada lado). (Fig. 4)

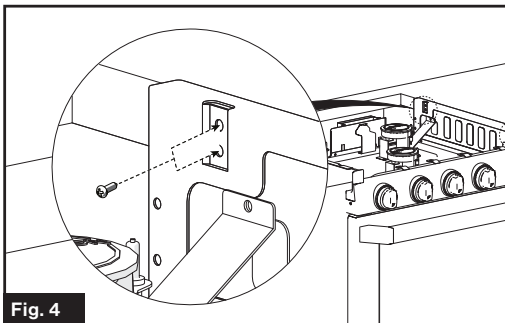


Fig. 4

Conexión de gas

⚠ ADVERTENCIA

La tubería de suministro de gas debe instalarse manteniendo una separación de las cuchillas que puedan entrar en contacto o corten las líneas de gas.

Conecte una tubería de suministro de propano con una conexión de rosca hembra de $\frac{3}{8}$ " al anafe en la esquina superior izquierda trasera del armario. (Fig. 5) Apriete la unión de la tubería de gas al anafe con 2 llaves.

IMPORTANTE: Deje un espacio adecuado alrededor de la tubería de suministro de gas en caso de que haya alguna curva o se dañe durante la instalación. Asegúrese de que la tubería de suministro de gas no pueda entrar en contacto con ninguna pieza móvil después de su instalación. Asegúrese de que todas las aberturas en el armario alrededor de la tubería de gas estén selladas en el momento de la instalación.

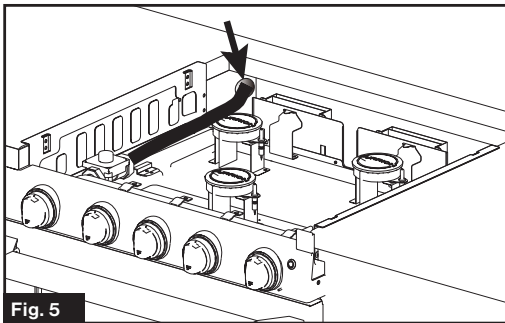


Fig. 5

Verificación de presión

1. Cierre el pase de gas al equipo.
2. Quite el tornillo con su junta de sellado del puerto de prueba de presión de la cocina. (Fig. 6)

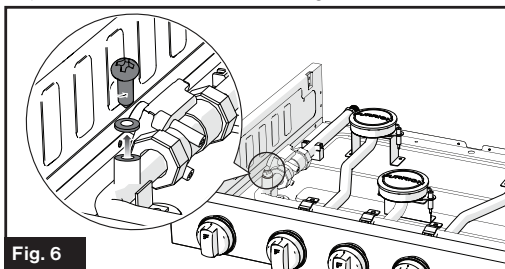


Fig. 6

3. Tome el tubo de goma del dispositivo de medida de verificación de la presión y deslícelo para conectarlo al puerto de prueba de presión de gas. El tubo de goma debería quedar ajustado al perímetro del puerto de prueba de presión de la cocina.
4. Abra el pase de gas al equipo.
5. El probador de nivel de presión debería indicar entre 10" WC y 13.8" WC. (Fig. 7)

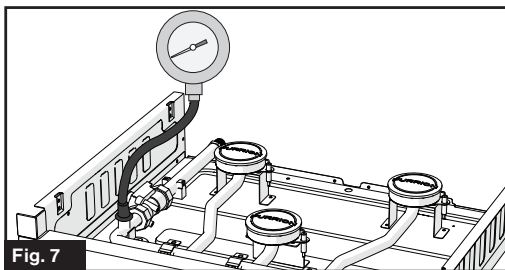


Fig. 7

6. Cierre el pase de gas al equipo.
 7. Retire el tubo de goma del dispositivo de medición de presión.
 8. Vuelva a colocar el tornillo con la junta del paso 2. Antes de volver a colocar al tornillo, revise la junta de sellado de goma para comprobar que no tenga signos de daño. Si la junta está dañada, cámbiela.
 9. Apriete el tornillo a entre 1.3 Nm y 1.7 Nm.
- NOTA:** Luego de completar la prueba de verificación de presión revise que el producto no tenga pérdidas de gas, sin olvidar revisar el tornillo del puerto de verificación de presión. Si detecta cualquier pérdida en el entorno del tornillo y la junta del puerto de verificación de presión, puede comprar repuestos de los mismos. Para obtener repuestos, llame al servicio técnico de Furrion.

Conexión eléctrica

⚠ PRECAUCIÓN

PELIGRO DE DAÑO DEL PRODUCTO

- Conectar únicamente a una fuente de 12 V CC.
- Conecte únicamente a un circuito protegido con fusible para una corriente no mayor a 15 A.
- NO realizar una Prueba de Resistencia Dieléctrica de Alto Potencial a menos que el sistema de encendido electrónico haya sido desconectado.

Conecte el cable positivo de suministro de 12 V al cable negro de 12 V de la cocina y el cable negativo de suministro de 12 V al cable blanco de 12 V de la cocina. (Fig. 8)

NOTA: Asegúrese de conectar los cables con la polaridad correcta. Negro es "+" y Blanco es "-".

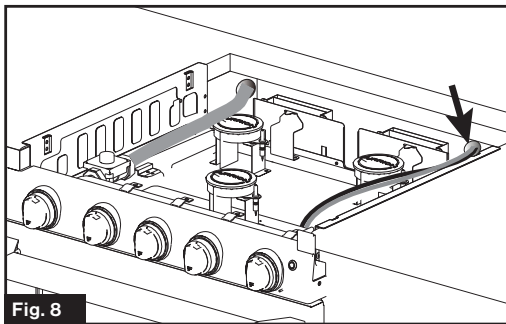
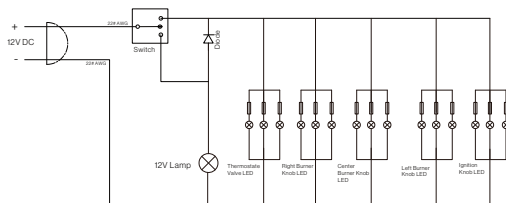


Fig. 8



Wiring Diagram

Reemplazo de la tapa de vidrio

1. Oriente las 2 pestañas de instalación de la tapa superior de vidrio de forma alineada con las ranuras de la parte posterior de la consola y colóquela sobre la cocina. (Fig. 9)

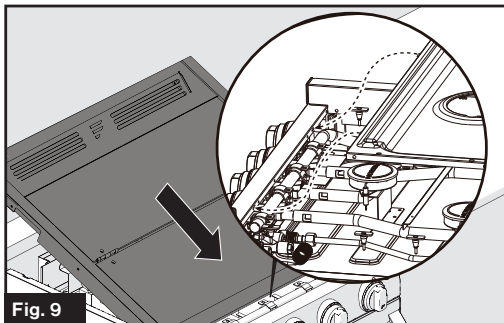


Fig. 9

2. Presione la parte trasera de la cubierta superior de vidrio hasta que oiga un clic. La tapa superior de cristal ahora queda fija en su lugar. (Fig. 10 y Fig. 11)

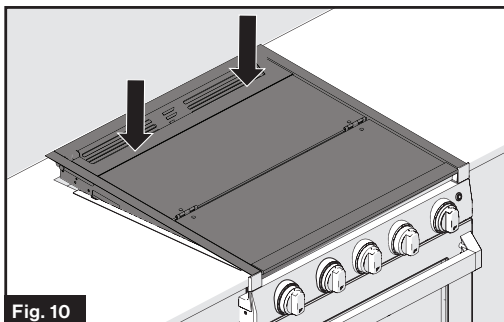


Fig. 10

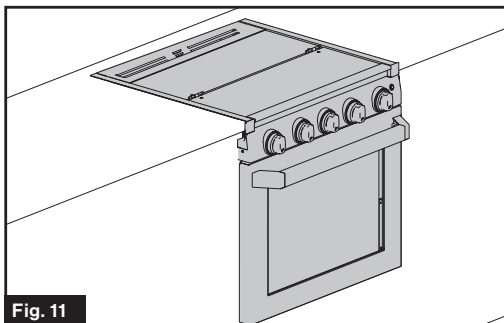


Fig. 11

Verificación de fugas

⚠ ADVERTENCIA

INCENDIO O EXPLOSIÓN

- Apaguen todas las llamas abiertas.
- NUNCA realice una prueba de fugas cuando esté fumando. Nunca use una llama.
- No utilice el electrodoméstico hasta que la conexión haya sido probada y no tenga fugas.
- Para realizar la prueba de presión/fugas utilice entre 11 y 13,8 c.a.

⚠ ADVERTENCIA

- Se pueden producir fugas de gas en su sistema y generar en una situación peligrosa. Realice siempre una prueba de fugas para detectar posibles fugas de acuerdo con las instrucciones del fabricante después de la instalación y antes del funcionamiento.
- Las fugas de gas pueden no ser detectadas solo por el olor. Los proveedores de gas recomiendan que compre e instale un detector de gas aprobado por UL.

1. Asegúrese de que todas las perillas de control estén en la posición **OFF** (apagado).
2. Aplique un líquido de detección de fugas de gas a las conexiones. Cualquier fuga de gas será indicada con burbujas.
3. Si se detecta una fuga de gas, apriete la junta suelta o reemplace la pieza defectuosa con una pieza de repuesto recomendada por un distribuidor autorizado de Furrion.

Funcionamiento

⚠ ADVERTENCIA

Mantenga los brazos y la cara alejados de la parte directamente encima del área de cocción mientras use el electrodoméstico.

⚠ PELIGRO

- La tapa superior de vidrio debe mantenerse abierta cuando se encienda y se utilice el anafe.
- No intente encender más de un quemador a la vez.

Encendido del anafe

Antes de encenderlo, compruebe y asegúrese de que todas las perillas de control estén en la posición **OFF** (apagado). Asegúrese de que la válvula principal del tanque de gas esté abierta.

Encendido estándar:

1. Levante para abrir la tapa de vidrio del anafe. (Fig. 12) La tapa superior de vidrio debe mantenerse abierta cuando se encienda y se utilice la placa de cocción.

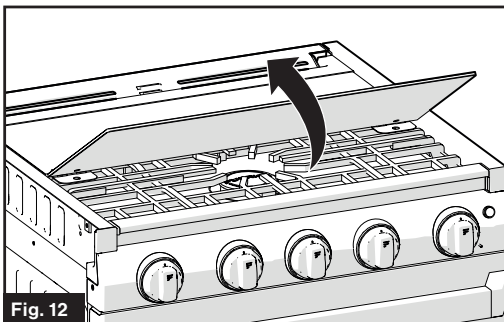


Fig. 12

2. Presione y gire la perilla de control del quemador correspondiente en sentido contrario a las agujas del reloj hasta la posición **▲**. (Fig. 13)

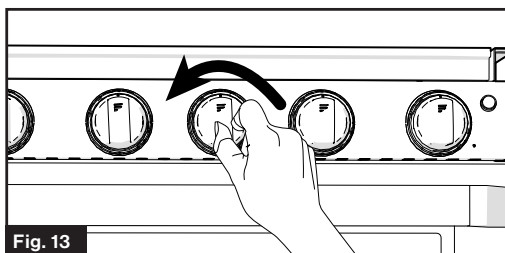


Fig. 13

3. Mantenga presionada la perilla de control del quemador y gire la perilla de encendido hacia la derecha repetidamente hasta que el quemador se encienda. (Fig. 14)

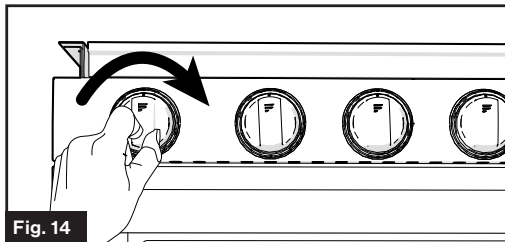


Fig. 14

4. Una vez encendido el quemador del anafe, mantenga el botón de encendido presionado durante unos 5 segundos hasta que la llama se estabilice.
5. Gire la perilla de control del quemador para ajustar la llama al nivel deseado.
6. Repita los pasos 2 y 5 para encender los otros quemadores según sea necesario.

Si el quemador no se enciende


En caso de que no se encienda el quemador dentro de los 5 segundos, gire inmediatamente la perilla de control en el sentido de las agujas del reloj hasta la posición **OFF** (apagado). Espere al menos 5 minutos y repita el procedimiento de encendido. Si aun así no se enciende, utilice un encendedor de gas o un fósforo para encender el quemador. Consulte la sección '**Encendido manual**'.

Encendido manual:

⚠ ADVERTENCIA

Tenga cuidado al encender los quemadores a mano. Si el quemador se enciende inesperadamente o si tiene la mano cerca del quemador, puede sufrir quemaduras.

En caso de que el quemador no se encienda con el encendido estándar, puede encenderlo manualmente siguiendo los pasos que se indican a continuación:

1. Gire la perilla de control del quemador correspondiente en sentido contrario a las agujas del reloj hasta la posición  (Fig. 15)

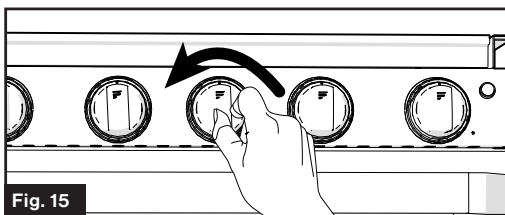


Fig. 15

2. Encienda y coloque inmediatamente un fósforo largo de madera o un encendedor de gas cerca del quemador para encenderlo. (Fig. 16)

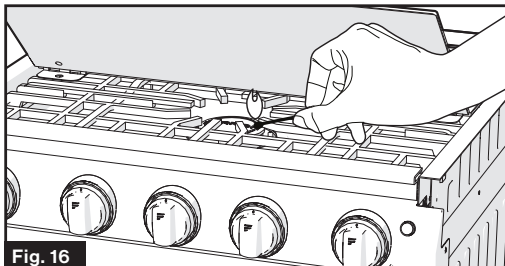


Fig. 16

3. Repita los pasos 1 y 2 para encender los otros quemadores según sea necesario.
4. Gire la perilla de control del quemador para ajustar la llama al nivel deseado. (Fig. 17)

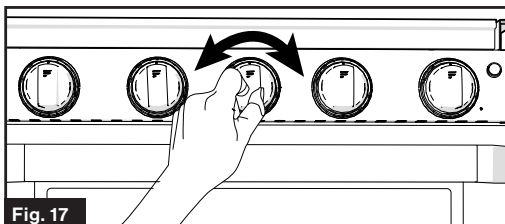


Fig. 17

Si se apaga la llama

⚠ ADVERTENCIA

¡Peligro de incendio!

Si la llama se apaga accidentalmente, se producirá una fuga de gas. Nunca deje el quemador de gas desatendido durante el funcionamiento. Asegúrese de que no haya corrientes de aire que puedan afectar a la llama del quemador.

Gire inmediatamente la perilla de control hasta la posición **OFF** (apagado). Espere al menos 5 minutos y vuelva a encender el quemador.

Apagado del anafe

⚠ ADVERTENCIA

Siempre cierre la válvula del tanque de gas cuando esté repostando o en viaje.

Para apagar los quemadores del anafe, gire las perillas de control en el sentido de las agujas del reloj hasta la posición **OFF** (apagado).

Encendido del horno

NOTA: Antes de que funcione el quemador del horno, el piloto del horno debe estar encendido.

Antes de encenderlo, compruebe y asegúrese de que todas las perillas de control estén en la posición **OFF** (apagado). Asegúrese de que la válvula principal del tanque de gas esté abierta.

1. Tire de la manija del horno para abrir la puerta. Si siente olor a gas, ¡deténgase! Consulte la sección de instalación y siga las instrucciones que se indican para el electrodoméstico. (Fig. 18)

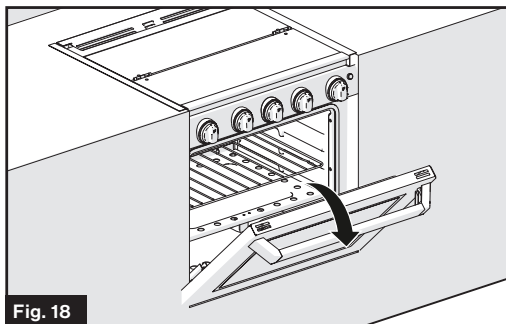



Fig. 18

- Presione y gire la perilla de control del horno en sentido contrario a las agujas del reloj hasta la posición  (Fig. 19)

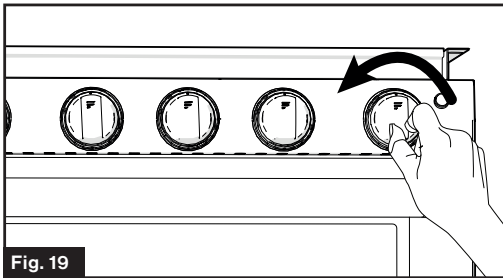


Fig. 19

- Mantenga presionada la perilla de control del horno y gire la perilla de encendido hacia la derecha repetidamente hasta que se encienda el quemador. (Fig. 20)

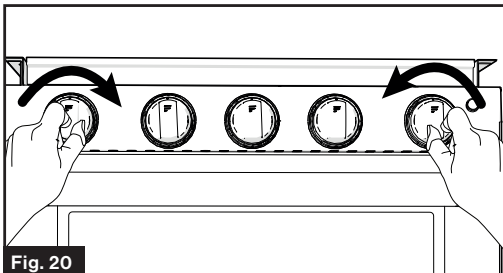


Fig. 20

- Una vez encendido el quemador del horno, mantenga el botón de encendido presionado durante unos 5 segundos hasta que la llama se estabilice.
- Gire la perilla de control del horno para ajustar la llama al nivel deseado.

Si se apaga la llama durante el proceso de encendido

ADVERTENCIA

¡Peligro de incendio!

Si la llama se apaga accidentalmente, se producirá una fuga de gas. Nunca deje el quemador de gas desatendido durante el funcionamiento. Asegúrese de que no haya corrientes de aire.

Gire inmediatamente la perilla de control hasta la posición **OFF** (apagado). Espere al menos 5 minutos antes de intentar volver a encender el quemador del horno.

Apagado del horno

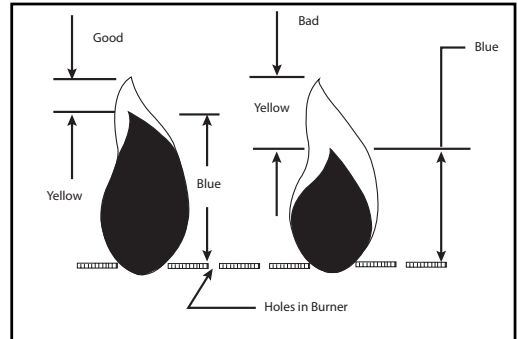
ADVERTENCIA

Siempre cierre la válvula del tanque de gas cuando esté repostando o en viaje.

Para apagar el horno, gire la perilla de control del horno en el sentido de las agujas del reloj hasta la posición **OFF** (apagado).

La llama del quemador

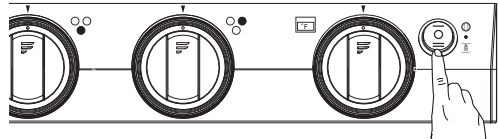
Mantenga los brazos y la cara alejados de la parte directamente encima del área de cocción. Las llamas deben verse similares al ejemplo de llama correcta que se muestra en el diagrama a continuación.



Una llama correcta debería ser azul con una punta amarilla. Algunas puntas amarillas en llamas de hasta 1" (25,4 mm) de longitud son aceptables siempre y cuando no aparezcan depósitos de carbón u hollín.

Si las llamas son excesivamente amarillas e irregulares, es posible que el residuo de aceite no se quemara por completo, o que el tubo de venturi esté obstruido o que no esté colocado correctamente sobre los orificios.

Control de la luz



Posición	Significado
— (⊖)	Todas las luces de la perilla de control están encendidas
○ (●)	Todas las luces están apagadas
= (⊕)	Todas las luces de la perilla de control y la luz del horno están encendidas

Cocción lenta

La potencia de los quemadores laterales es menor que la del quemador central, le recomendamos que utilice los quemadores laterales para una cocción lenta.

Consejos de cocción

El horno ofrece una amplia gama de alternativas que permiten cocinar cualquier tipo de comida de la mejor manera posible. Con el tiempo aprenderá a sacar el máximo provecho de este versátil electrodoméstico de cocina y las siguientes instrucciones son simplemente una guía que puede variar según su experiencia personal.

⚠ ADVERTENCIA

Peligro de intoxicación alimentaria

- No deje los alimentos en el horno más de una hora antes o después de cocinarlos.
- Si lo hace, puede provocar una enfermedad por intoxicación alimentaria.

Pre calentamiento

El pre calentamiento del horno de gas no solo calienta el aire del horno, sino también las paredes y la puerta, lo que garantiza que el horno vuelva rápidamente a esa temperatura cuando se abre y se cierra la puerta.

En función de la temperatura de cocción que se ajuste, el tiempo de pre calentamiento puede variar. El tiempo mínimo de pre calentamiento sugerido es de 15 minutos.

Hornado de pasteles

Cuando hornee pasteles, colóquelos siempre en el horno después de haberlo pre calentado (unos 15 minutos). La temperatura generalmente ronda en los 350 °F. No abra la puerta mientras se hornea el pastel para evitar que se apelmace.

En general:

La masa está demasiado seca	Aumente la temperatura en 50 °F y reduzca el tiempo de cocción.
La masa no crece y se apelmaza	Utilice menos líquido o baje la temperatura en 50 °F.
La masa está demasiado oscura en la parte superior.	Colóquela en una rejilla inferior, baje la temperatura y aumente el tiempo de cocción.
Bien cocida por dentro, pero pegajosa por fuera.	Utilice menos líquido, baje la temperatura y aumente el tiempo de cocción.
La masa se pega a la bandeja	Engrase bien la bandeja y espolvoréela con un poco de harina o utilice papel anti grasas.

Cocción de pizza

Para lograr pizzas crujientes y sabrosas:

- Pre caliente el horno durante al menos 15 minutos.
- Coloque la bandeja de la pizza en la rejilla suministrada con el horno. Si se utiliza la bandeja de goteo, prolongará el tiempo de cocción y dificultará la obtención de una masa crujiente.
- No abra la puerta del horno con frecuencia mientras la pizza se esté cocinando.

- Si la pizza tiene muchos ingredientes (tres o cuatro), le recomendamos que agregue el queso mozzarella en la parte superior a la mitad del proceso de cocción.

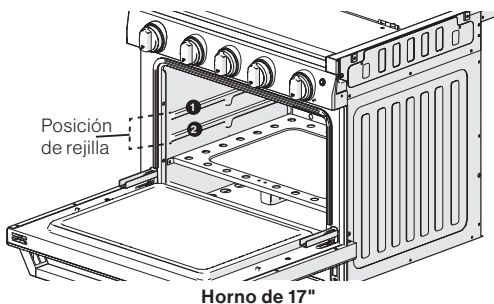
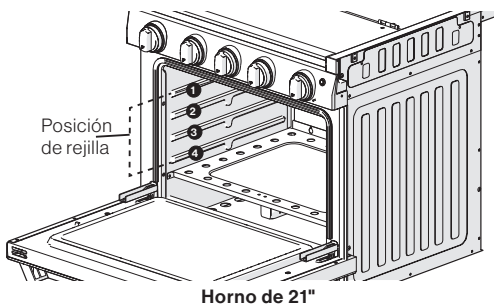
Cocción de carne y pescado

Cuando cocine carne blanca, aves y pescado, utilice los ajustes de temperatura de 335 °F a 375 °F.

Para carnes rojas que deben estar bien cocidas por fuera y tiernas y jugosas por dentro, es una buena idea comenzar con un ajuste de temperatura alta (375 °F ~ 425 °F) durante un corto tiempo y luego bajar la temperatura del horno.

En general, cuanto mayor sea el tamaño de lo que desea tostar, menor será el ajuste de temperatura. Coloque la carne en el centro de la rejilla y coloque la bandeja de goteo debajo para recoger la grasa que gotea.

Asegúrese de que la rejilla esté insertada de manera que quede en el centro del horno. Si desea aumentar la cantidad de calor desde abajo, utilice las alturas de las rejillas bajas. Para un rostizado sabroso (especialmente carne de pato y caza silvestre), aderece la carne con manteca de cerdo o tocino en la parte superior.



Limpeza y Mantenimiento

- Asegúrese de que todas las perillas de control estén apagadas y de que el electrodoméstico esté frío antes de limpiarlo.
- Asegúrese de que todas las superficies, las rejillas de los quemadores y los quemadores del electrodoméstico estén fríos antes de limpiarlos o desmontarlos.
- NO utilice blanqueador ni removedores de óxido en el anafe o en las rejillas de los quemadores.
- NO obstruya el flujo de aire de combustión y ventilación.
- Mantenga los materiales combustibles, gasolina y otros vapores y líquidos inflamables fuera del área del electrodoméstico.
- Limpie el horno únicamente con limpiador de horno. Siga las instrucciones del envase.
- Nunca utilice un cepillo de alambre u objeto metálico para limpiar las aberturas u orificios del quemador. El cepillo puede "desprender" cerdas que pueden alojarse en el orificio o las aberturas del quemador y causar un incendio o una explosión.
- Limpie todas las superficies tan pronto como sea posible después de los derrames por ebullición o vertidos.
- Utilice agua tibia jabonosa solo para limpiar las rejillas del quemador, el anafe, las superficies pintadas, las superficies esmaltadas, las superficies de acero inoxidable y las piezas de plástico de su cocina. No utilice limpiadores de grano o ácidos. No utilice limpiadores con amoníaco, los limpiadores de este tipo son corrosivos y podrían dañar los componentes de la cocina.
- NO use lana de acero, o limpiadores abrasivos, o limpiadores de tipo ácido como blanqueador de cloro en el anafe o sistemas de rejillas. Dañarán su horno o anafe. Utilice únicamente esponjas de limpieza de plástico no abrasivo.
- NO permita que los alimentos que contengan ácidos (como jugo de limón, tomate o vinagre) permanezcan en las superficies pintadas o de porcelana. Los ácidos pueden eliminar el acabado brillante. Limpie los derrames de huevos cuando el anafe esté frío.
- NO lave las superficies de porcelana cuando estén calientes. Deje que estas superficies se enfríen antes de limpiar. Podría sufrir quemaduras o la porcelana podría quebrarse.
- Se producirán picaduras y decoloración si se permite que los derrames permanezcan durante un periodo de tiempo cualquiera en el acero inoxidable.
- NO permita que los derrames permanezcan en las tapas del quemador. Las tapas podrían mancharse de forma permanente.
- Cuando limpie alrededor de los quemadores, tenga cuidado de no dañar el electrodo (si lo tiene incluido). Si engancha el electrodo de encendido metálico con una esponja o un paño, podría dañarlo o romperlo. Si esto ocurre, el quemador no se encenderá.

La puerta del horno

⚠ ADVERTENCIA

Cuando se desee quitar la puerta:

- No coloque el peso excesivo sobre la puerta abierta del horno ni se pare sobre la puerta abierta del horno dado que, en algunos casos, podría provocar que el horno se voltee, que se rompa o dañe la puerta hasta el punto en que el uso del horno no sea seguro o que se generen lesiones graves al usuario.
- Al abrir la puerta del horno, permita que salga el vapor y el aire caliente antes de acercarse al horno para revisar, agregar o quitar alimentos.
- Asegúrese de que el horno esté frío y que se haya desconectado la corriente antes de quitar la puerta. De lo contrario, se podrían producir descargas eléctricas o quemaduras.
- La puerta del horno es pesada y frágil. Retire la puerta del horno con ambas manos. El frente de la puerta es de cristal. Se debe manipular con cuidado para evitar que se rompa.
- Sujete únicamente los lados de la puerta del horno. No sujete la manija, porque puede oscilar en la mano y causar daños o lesiones.
- Si no se sujeta de manera firme y adecuada la puerta del horno, se pueden producir lesiones personales o daños al producto.
- Para evitar lesiones por el cierre a presión del soporte de la bisagra, asegúrese de que ambas palancas estén bien fijadas en su sitio antes de retirar la puerta. Además, no debe forzar la puerta a abrirse o cerrarse, porque la bisagra podría dañarse y provocar lesiones.

1. Asegúrese de leer la **ADVERTENCIA** indicada anteriormente antes de intentar extraer la puerta del horno.
2. Abra la puerta hasta el final. (Fig. 21)

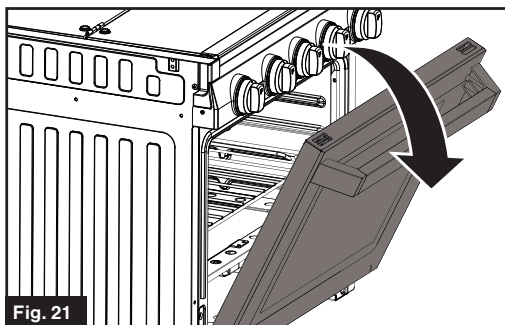


Fig. 21

- Voltee las palancas de las bisagras (una a cada lado) hacia usted. (Fig. 22)

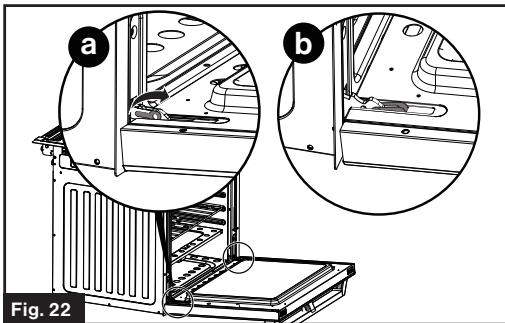


Fig. 22

- Cierre la puerta hasta que se detenga. Quedará a medio abrir. (Fig. 23)

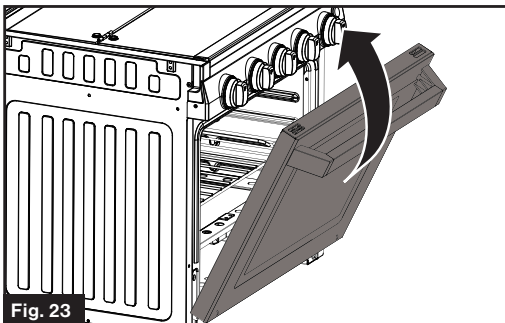


Fig. 23

- Sujete la puerta firmemente de ambos lados y, con ambas manos, tire de la puerta directamente hacia fuera de las ranuras de las bisagras. (Fig. 24, Fig. 25 y Fig. 26) Sostener la puerta con firmeza porque es pesada.

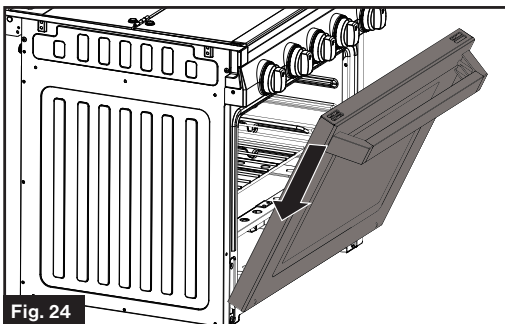


Fig. 24

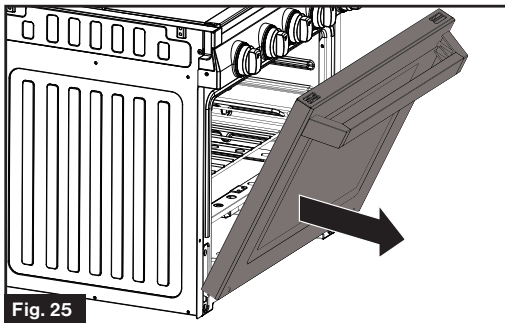


Fig. 25

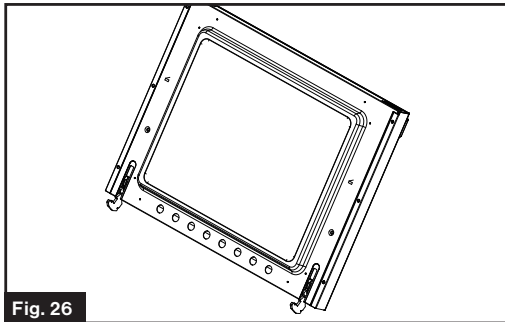


Fig. 26

- Coloque la puerta sobre una superficie plana que esté protegida para que la puerta no dañe el material de la superficie.

Cambio de la lámpara del horno

- Desconecte el horno de la alimentación eléctrica con el interruptor que se utiliza para conectar el electrodoméstico a la red eléctrica, o desenchufe el electrodoméstico si tiene acceso al enchufe.
- Retire la tapa de vidrio del portalámparas. (Fig. 27)

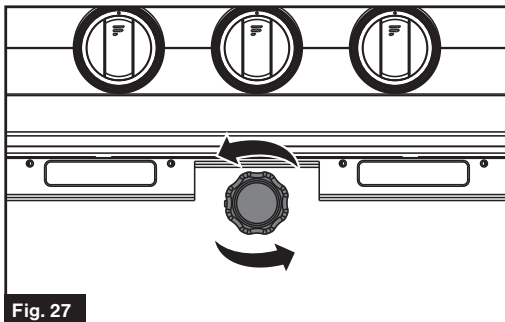


Fig. 27

3. Retire la lámpara y reemplácela por una lámpara resistente a altas temperaturas (572 °F) con las siguientes características:
 - Voltaje: 12 V
 - Potencia: 15 W
 - Tipo: G9
 - Tipo de lámpara: Halógena
4. Vuelva a colocar la tapa de vidrio.
5. Vuelva a conectar la alimentación eléctrica al horno. Para solicitar el repuesto de la lámpara del horno Furrion, llame al servicio de asistencia de Furrion.

Cambio de la luz LED de la perilla de control

1. Desconecte el horno de la alimentación eléctrica con el interruptor que se utiliza para conectar el electrodoméstico a la red eléctrica, o desenchufe el electrodoméstico si tiene acceso al enchufe.
2. Sujete y tire de la perilla de control con la luz LED rota. (Fig. 28)

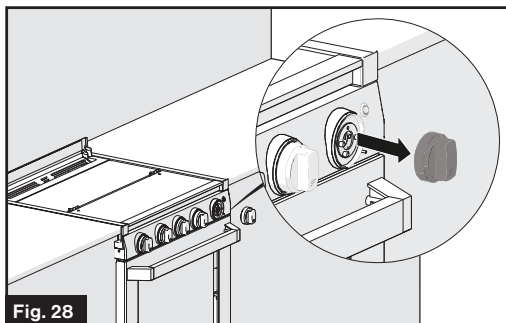


Fig. 28

3. Retire los dos tornillos que sujetan la luz LED con un destornillador Phillips. (Fig. 29)

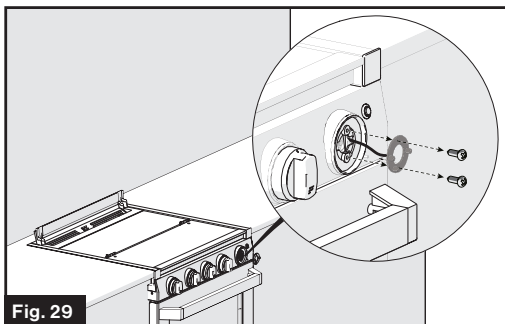


Fig. 29

4. Retire la unidad de LED y desconecte el cable de la base de la unidad de LED. (Fig. 30)

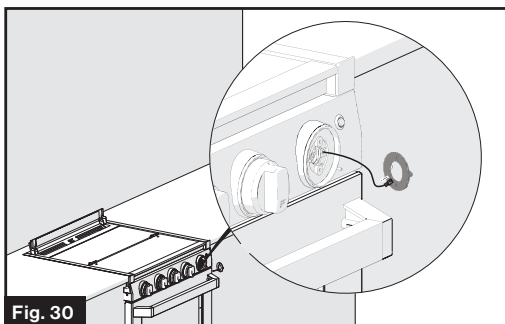


Fig. 30

5. Enchufe el conector del cableado en la nueva unidad de LED.
6. Vuelva a ajustar la unidad de LED en la consola con los 2 tornillos que se quitaron en el paso 3. Asegúrese de no pellizcar los cables durante este proceso.
7. Vuelva a colocar la perilla de control alineando el vástago del control en la abertura de la carcasa de la perilla de control y empujela hasta que vuelva a su posición.

Almacenamiento

Seque todas las superficies y la caja del quemador, luego rocíe las superficies con una sustancia de aceite de cocina para evitar que la superficie se oxide durante el almacenamiento a largo plazo. Limpie la capa de aceite antes de volver a utilizarlo.

Resolución de problemas

Antes de llamar al servicio técnico, revise esta lista. Puede ahorrarle tiempo y dinero. Esta lista incluye experiencias comunes que no son el resultado de mano de obra o material defectuoso en su electrodoméstico.

Problema	Posible causa / solución
Los quemadores de la superficie no se encienden	La perilla de control de la superficie no se ha girado completamente a su posición 🔥. Presione y gire la perilla de control de superficie a la posición 🔥 hasta que el quemador se encienda y luego gire la perilla hasta lograr el tamaño de llama deseado.
	Asegúrese de que la válvula de suministro de gas esté abierta.
	Los orificios o ranuras del quemador están obstruidos. Con el quemador apagado, utilice un alambre o una aguja de calibre pequeño para limpiar los orificios o las ranuras.
	Nivel bajo de suministro de gas en el cilindro.
La llama del quemador de superficie está encendida por la mitad	Hay humedad en el quemador, seque bien el quemador.
	Los orificios o ranuras del quemador están obstruidos. Con el quemador apagado, limpie los orificios o las ranuras con un alambre o una aguja de calibre pequeño.
	Ha quedado humedad después de la limpieza. Airee la llama ligeramente y deje que el quemador funcione hasta que la llama esté completa. Seque bien los quemadores.
La llama del quemador de superficie es naranja	Hay partículas de polvo en la línea principal. Deje que el quemador funcione unos minutos hasta que la llama se vuelva azul.
	En las zonas costeras, es inevitable que la llama esté ligeramente anaranjada debido al aire salino.

Especificaciones

Especificaciones técnicas

Potencia opcional	Potencia de gas
BTU/HR	Quemador izquierdo y derecho: 6500 BTU
	Quemador frontal: 8000 BTU
	Horno: 7100 BTU
Combustible / alimentación	Propano
Presión de entrada	10" c.a. mín. a 13,8" c.a. máx.
Entrada de alimentación	12 V CC < 2 Amp.
Volumen interno del horno	Horno de 17": 35 L
	Horno de 21": 51 L

Este electrodoméstico cumple con las siguientes normativas: ANSI Z21.57a-(2012) Rec / CAN1-1.16-M79 (R2011)



Furrion Innovation Center & Institute of Technology

- 52567 Independence Ct., Elkhart, IN 46514, USA • Toll free:1-800-789-3341
- Email: support@furrion.com

©2007-2020 Furrion Ltd. Furrion® and the Furrion logo are trademarks licensed for use by Furrion Ltd. and registered in the U.S. and other countries.

©2007-2020 Furrion Ltd. Furrion® et le logo Furrion sont des marques déposées par Furrion Ltd. et enregistrées aux Etats-Unis et ailleurs.

©2007-2020 Furrion Ltd. Furrion® y el logotipo de Furrion y son marcas comerciales con licencia de uso de Furrion Ltd. y están registradas en los Estados Unidos y en otros países.

U.S. D839038, D851,978, D851,979, D851,990 and other patents pending / et autres brevets en instance / y otras patentes pendientes (FS17WB4A-BL, FS17WB4A-SS, FS21DB4A-BL, FS21DB4A-SS)

www.furrion.com

IM-FHA00083 V3.0