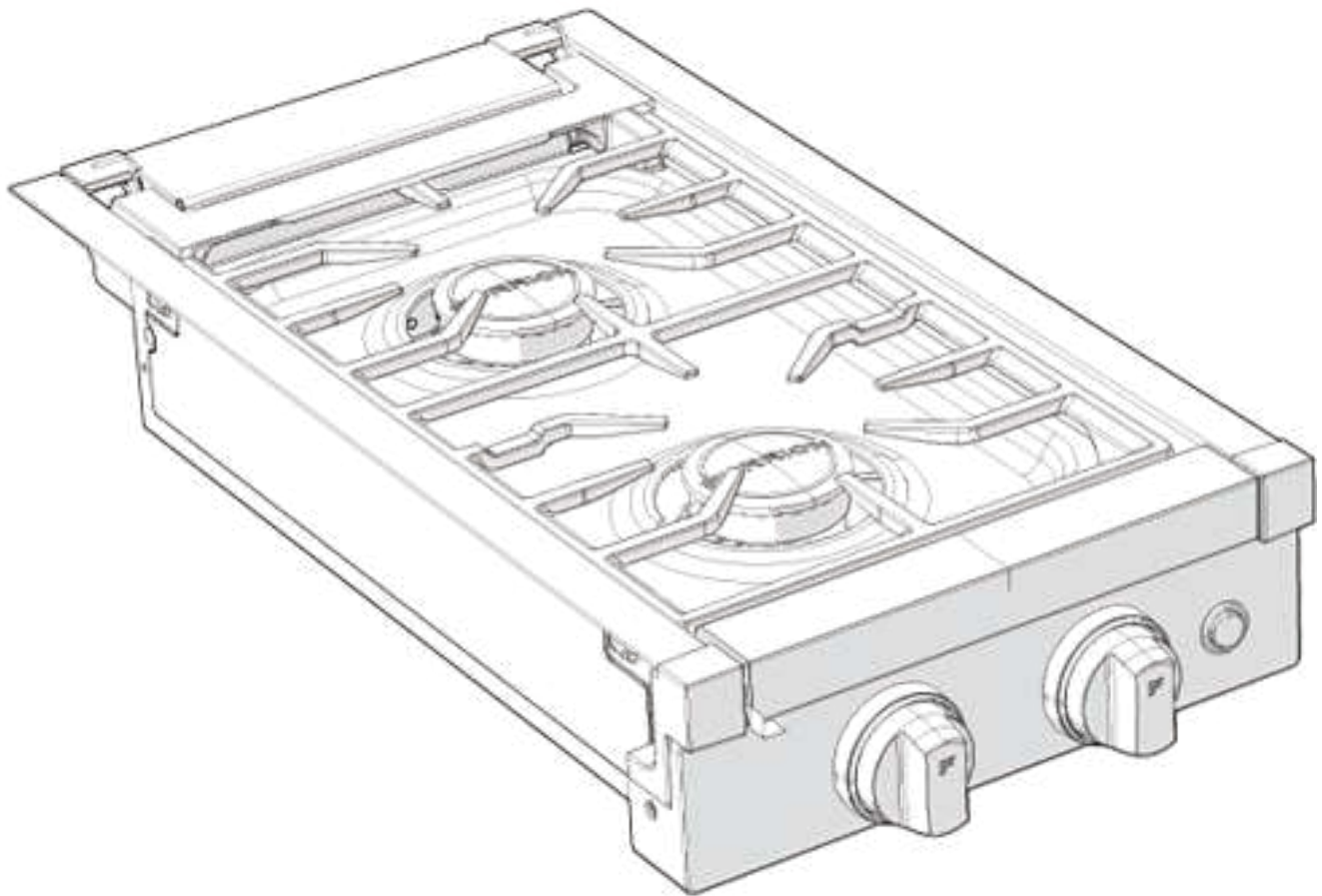

12" 2-BURNER GAS COOKTOP WITH FFD, BIFOLD GLASS AND CAST IRON GRATES

MODEL (LIPPERT PN)

FGH12D2MA1B-BL (2025044538)

TROUBLESHOOTING AND SERVICE MANUAL



* Picture shown here is for reference only.

This manual contains the product's basic information, safety, maintenance, replaceable parts, fault diagnosis and basic troubleshooting procedures.

TABLE OF CONTENTS

| | |
|------------------------------|---|
| Introduction | 2 |
| Safety | 2 |
| Safety Precautions | 3 |
| What to do if you smell gas: | 3 |
| Safety Instructions | 3 |
| Pressure Check | 4 |
| Gas Leak Check | 5 |
| Cleaning and Maintenance | 5 |
| Replaceable Parts List | 6 |
| Troubleshooting | 8 |
| Specifications | 8 |

Introduction

This document provides an overview on replaceable parts for Furrion® 12" 2-Burner Gas Cooktop with FFD, Bi-fold Glass and Cast Iron Grates, as well as basic troubleshooting and service information. Please keep this user manual in a safe place for future reference. This will ensure safe use and reduce the risk of injury. Be sure to pass on this manual to new owners of this product.

NOTE: Images used in this document are for reference only when assembling, installing and/or operating this product. Actual appearance of provided and/or purchased parts and assemblies may differ. For more detailed operation, including general safety instructions, warnings and cautions, see Instruction Manual at: <https://support.lci1.com/documents/ccd-0010262> or scan this QR code:



Safety

Read and understand all instructions before installing or operating this product. Adhere to all safety labels. This manual provides general instructions. Many variables can change the circumstances of the instructions, i.e., the degree of difficulty, operation and ability of the individual performing the instructions. This manual cannot begin to plot out instructions for every possibility, but provides the general instructions, as necessary, for effectively interfacing with the device, product or system. Failure to correctly follow the provided instructions may result in death, serious personal injury, severe product and/or property damage, including voiding of the Lippert limited warranty.



The "WARNING" symbol above is a sign that a procedure has a safety risk involved and may cause death or serious personal injury if not performed safely and within the parameters set forth in this manual.



Failure to follow instructions provided in this manual may result in death, serious personal injury and/or severe product and property damage, including voiding of the component warranty.



The "CAUTION" symbol above is a sign that a safety risk is involved and may cause personal injury and/or product or property damage if not safely adhered to and within the parameters set forth in this manual.

⚠ CAUTION

Always wear eye protection when performing service, maintenance or installation procedures. Other safety equipment to consider would be hearing protection, gloves and possibly a full face shield, depending on the nature of the task.

Safety Precautions

⚠ WARNING

If the information in this manual is not followed exactly, a fire or explosion may result causing property damage, personal injury or death.

Do NOT store or use gasoline or other flammable vapors or liquids near this or any appliance.

What to do if you smell gas:

- Do NOT try and light any appliance.
- Do NOT touch any electrical switch.
- Do NOT use any phone in your recreational vehicle.
- Clear the recreational vehicle of all occupants.
- Turn off gas supply tank valve(s) or main gas supply.
- From a safe distance from the gas smell, immediately call your gas supplier for instructions.
- If you cannot reach your gas supplier, call the fire department.
- Have a gas system checked and leakage source corrected by a qualified installer, service agency, manufacturer of dealer or the gas supplier.

Follow all instructions before using this appliance to prevent the potential risk of fire, electric shock, personal injury or damage to the appliance as a result of improper usage of the appliance. Use appliance only for its intended purpose as described in this guide.

If an external electrical source is utilized, the appliance must be electrically grounded in accordance with state or other codes or, in the absence of such codes, with the National Electrical Code (AN51/NFPA70). Do not attempt to adjust, repair, service, or replace any part of your appliance unless it is specifically recommended in this guide. Other services should be referred to a qualified service technician.

Warning and important safety instructions appearing in this guide are not meant to cover all possible conditions and situations that may occur. Common sense, caution, and care must be exercised when installing, maintaining, or operating the appliance. Always contact the manufacturer about problems or conditions you do not understand.

Safety Instructions

To reduce risk of tipping of the appliance from abnormal usage or by excessive loading of the cooktop.

- Your appliance should be installed by a qualified technician in accordance with state and local laws.
- Never modify or alter the construction of a cooktop by removing leveling legs, panels, anti-tip brackets/screws, or any other part of the product.

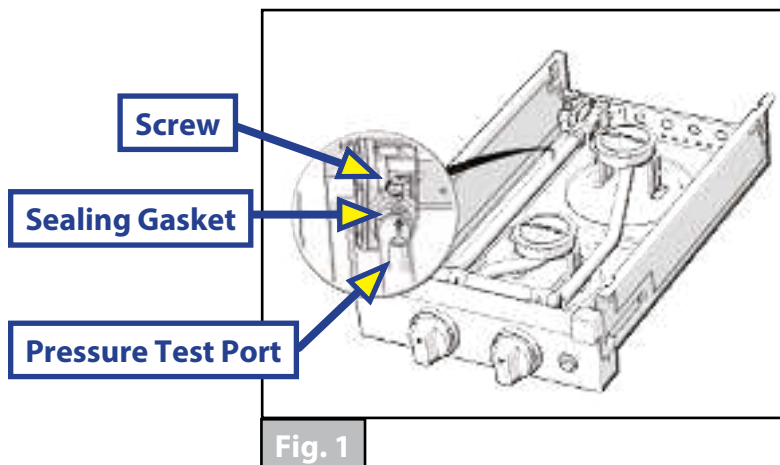
Do NOT store items of interest to children in the cabinets above a cooktop. Children climbing on the cooktop to reach items could be seriously injured.

⚠ WARNING

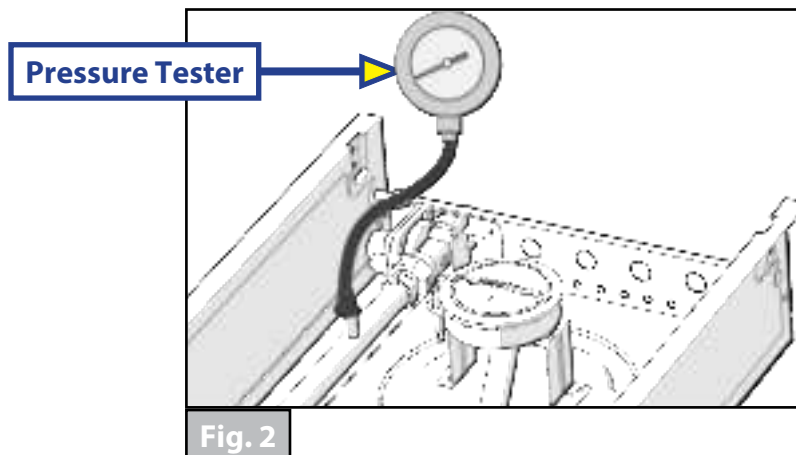
NEVER use this appliance as a space heater to warm a room. Doing so may result in carbon monoxide poisoning and overheating the oven.

Pressure Check

1. Turn LP gas off to the appliance.
2. Remove the Screw with the sealing gasket from the pressure test port on the range. (Fig. 1)



3. Using the rubber tube from the pressure check measuring device, slide the rubber tube down over the gas pressure test port. The rubber tube should seal around the pressure test port on the range.
4. Turn on the LP gas to the appliance.
5. The pressure gauge tester should measure between 10" WC to 13.8" WC. (Fig. 2)



6. Turn off the LP gas to the appliance.
7. Remove the rubber tube of the pressure check measuring device.
8. Replace the screw with the gasket from step 2. Before replacing the screw, inspect the rubber gasket seal for any signs of damage. Replace seal if damaged.
9. Tighten the screw to 1.3 Nm to 1.7 Nm.

NOTE: Ensure the product is gas leak checked after the pressure check test is completed by also testing the pressure check port screw. If any leaks are detected around the pressure check port screw and gasket, a new one can be purchased. Call Furrion support for a replacement.

Gas Leak Check

Always perform a leak test for possible leaks according to the manufacturer's instructions before any operation. Pressure/Leak test using 11-13.8 WC pressure.

▲ WARNING

Extinguish all open flames. NEVER Leak test when smoking. Do not use the oven until connection has been leak tested and does not leak.

1. Make sure all control knobs are turned to OFF position.
2. Apply a gas leak detection liquid such as soapy water to the connections.
3. Gas leaks will be detected with the presence of bubbles.
4. To stop the leak, tighten the loose joint, or replace the faulty part with a replacement part recommended by dealer.

▲ WARNING

Gas leaks may occur in your system and result in a dangerous situation. Gas leaks may not be detected by smell alone. Gas suppliers recommend you purchase and install a UL approved gas detector. Install and use accordance with the manufacturer's instructions.

Cleaning and Maintenance

During and/or after service/repair work, it may be necessary to clean a soiled area to prevent any damage or discoloring of the cooktop.

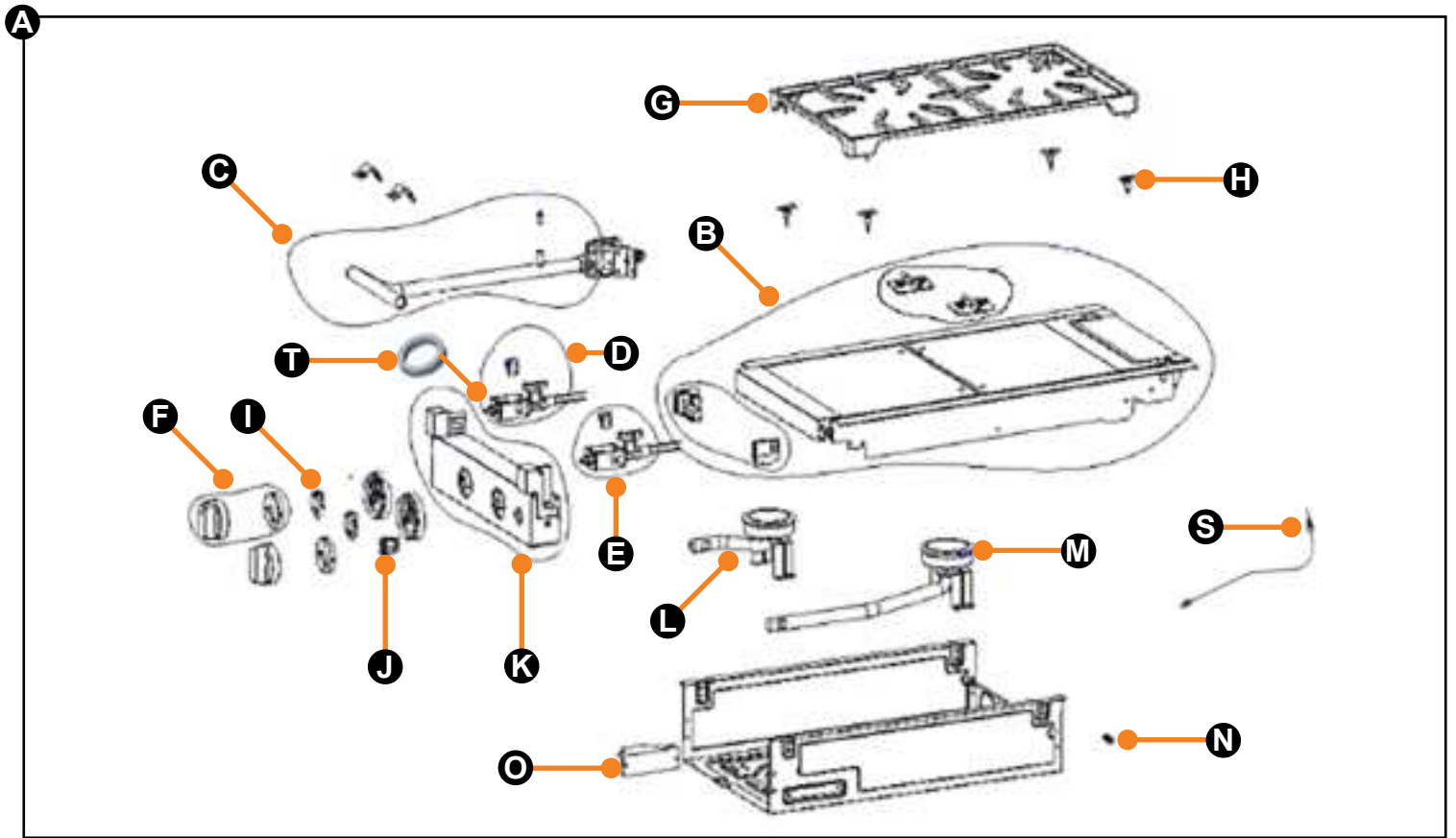
During clean-up:

1. Make sure all control knobs are off and the appliance is cool before cleaning.
2. Make sure all appliance surfaces, burner grates and burners are cool before cleaning or disassembling.
3. When cleaning around the burners, use care to prevent damage to the electrode—if so equipped. If a sponge or cloth should catch the metal igniter electrode, it could damage or break the electrode. If this occurs, the burner will not light.
4. Do **NOT** use bleach or rust removers on the cooktop or burner grates.
5. Never use a wire brush or metallic item for cleaning burner ports or orifices. Brush may “shed” bristles that may lodge in the orifice or burner ports and cause a fire or explosion.
6. Do **NOT** use grit or acid-type cleaners.
7. Do **NOT** use cleaners with ammonia.

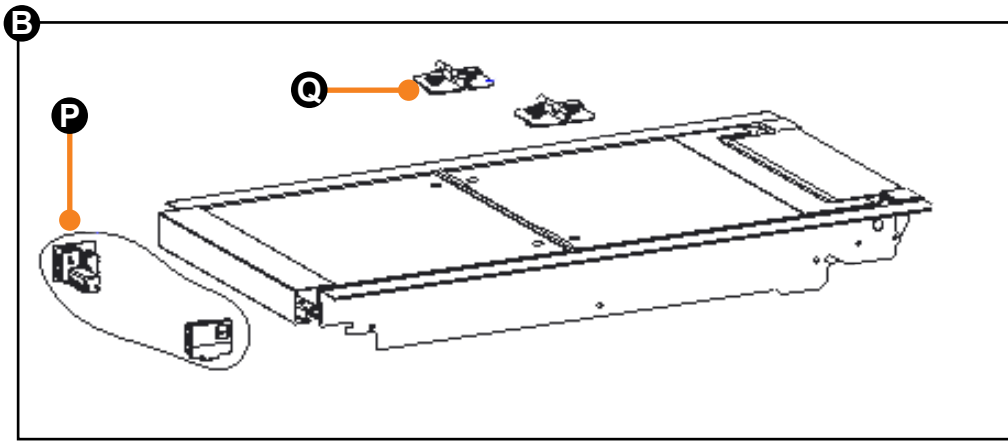
NOTE: Grit, acid-type and ammonia-based cleaners are abrasive and corrosive, which could damage component parts in the cooktop.

8. Use only non-abrasive plastic scrubbing pads.
9. Use warm soapy water only to clean the burner grates, cooktops, painted surfaces, porcelain surfaces, stainless steel surfaces and plastic items on the cooktop or cooktop.
10. Do **NOT** obstruct the flow of combustion and ventilation air.
11. Keep the appliance area clear of combustible materials, gasoline and other flammable vapors and liquids.

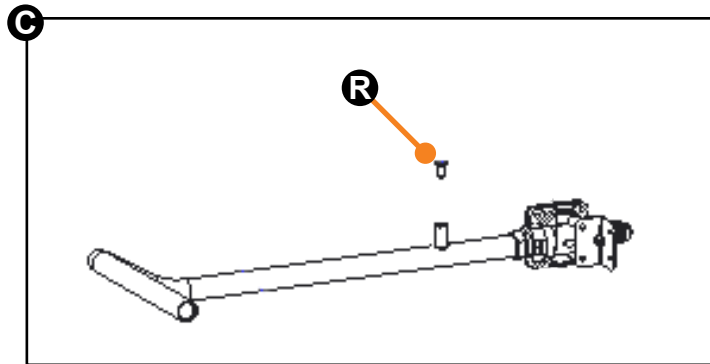
Replaceable Parts List



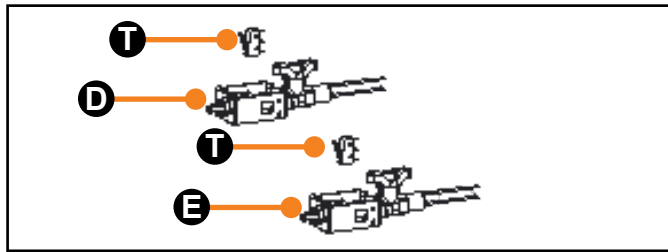
| Callout | Part # | Description | Model |
|---------|----------------------------|---|-------|
| Kit-A | 2025044538 | Furrion® 12" 2-Burner Gas Cooktop with FFD, Bifold Glass and Cast Iron Grates / Black | All |
| Kit-B | 2025057278 | Top Tray Module (with Black Painting Side Trim Kit) | |
| Kit-C | 2022127943 | Gas Pipe with Regulator Attached | |
| Kit-D | 2023048899 | Front Cooktop Control Valve Assembly (orifice 0.82 mm) with FFD Assembly | |
| Kit-E | 2023048900 | Rear Cooktop Control Valve Assembly (orifice 0.76 mm) with FFD Assembly | |
| Kit-F | 2023048898 | Cooktop Burner Knob Assembly (Black) | |
| G | 2022127941 | Diecast Grate | |
| H | 2021124303 | Cooktop Grate Holding Gasket | |
| I | 2023029044 | Red/Blue Knob Led PCB | |
| J | 2021149653 | Light Switch (Black) | |
| K | 2025057279 | Cooktop Console | |
| L | 2022127956 | Front Burner Module (includes Gas Pipe, Burner, Igniter, Bracket) | |
| M | 2022127957 | Rear Burner Module (includes Gas Pipe, Burner, Igniter, Bracket) | |
| N | 2022073001 | Strain Relief | |
| O | 2022127959 | Electric Spark Igniter Module for 2-Burner | |
| S | 2023048880 | Flame Failure Device (FFD) with Cable Length 320mm | |
| T | 2024046634 | Spacer for Burner Valve Shaft | |



| Callout | Part # | Description | Model |
|---------|----------------------------|---|---------------------|
| Kit-B | 2025057278 | Top Tray Module (with Black Painting Side Trim Kit) | All |
| Kit-P | 2022072995 | Rubber Front Bumpers Kit (Left, Right) | All Models of Kit-B |
| Q | 2021124283 | Glass Cover Middle Hinge Module (2 hinges per set) | |



| Callout | Part # | Description | Model |
|---------|----------------------------|--|---------------------|
| Kit-C | 2022127943 | Top Tray Module (with Black Painting Side Trim Kit) | All |
| R | 2021124505 | Gas Pressure Inspection Screw (Rubber O-Ring included) | All Models of Kit-C |



| Callout | Part # | Description | Model |
|---------|------------|--|-------|
| Kit-D | 2023048899 | Front Cooktop Control Valve Assembly (orifice 0.82 mm) | All |
| Kit-E | 2023048900 | Rear Cooktop Control Valve Assembly (orifice 0.76 mm) | All |
| T | 2023048894 | Microswitch (with wires attached) | All |



| Callout | Part # | Description | Model |
|---------|------------|--------------------------------------|---------------------|
| Kit-F | 2023048898 | Cooktop Burner Knob Assembly (Black) | All Models of Kit-A |

Troubleshooting

| Problem | Possible Cause/Solution |
|--|--|
| Surface burners do not ignite | Surface control knob has not been completely turned to 🔥 position. Push in and turn the surface control knob to 🔥 position until burner ignites and then turn control to desired flame size. |
| | Ensure gas supply valve is open. |
| | Burner ports or slots are clogged. With the burner off use a small-gauge wire or needle to clean ports or slots. |
| | Low gas supply level in cylinder. |
| Surface burner flame burns half way around | Push burner control knob in for at least 5 seconds once burner flame is lit. |
| | Moisture is present on the burner, dry burner thoroughly. |
| | Burner ports or slots are clogged. With the burner off clean ports with a small-gauge wire or needle to clean ports or slots. |
| Surface burner flame is orange | Moisture is present after cleaning. Lightly fan the flame and allow burner to operate until flame is full. Dry the burners thoroughly. |
| | Dust particles in main line. Allow the burner to operate a few minutes until flame turns blue. |
| | In coastal areas a slightly orange flame is unavoidable due to salt air. |

Specifications

| | |
|----------------|----------------------------|
| BTU/HR | Front Burner: 8000 BTU |
| | Rear Burner: 6500 BTU |
| Fuel/Power | Propane |
| Inlet Pressure | 10" WC Min to 13.8" WC Max |
| Power input | 12V DC <2 Amp |

This appliance conforms with the directives: ANSI Z21.57a-(2012) Rec / CAN1-1.16-M79 (R2016)

This page intentionally blank.



FURRION®

Furrion Ltd. and Furrion, LLC (Furrion) are wholly owned subsidiaries of Lippert Components, Inc. (Lippert)
Furrion Ltd. et Furrion, LLC (Furrion) sont des filiales en propriété exclusive de Lippert Components, Inc. (Lippert)
Furrion, LLC: 52567 Independence Ct., Elkhart, IN, 46514

Furrion Innovation Center & Institute of Technology
Centre d'innovation et institut de technologie Furrion
22244 Innovation Drive, Elkhart, IN 46514-5514, USA
Toll free/Numéro gratuit/Línea telefónica gratuita:1-800-789-3341
Email/Courriel/Correo electrónico: customerservice@lci1.com

©2007-2025 Furrion LLC. Furrion and the Furrion logo are trademarks licensed for use
by Furrion LLC. and registered in the U.S. and other countries.

©2007-2025 Furrion LLC. Furrion et le logo Furrion sont des marques commerciales utilisées sous
licence par Furrion Ltd. et déposées aux États-Unis et dans d'autres pays.

For Patent Info: www.Lippert.com/patents
Pour des informations sur les brevets: www.Lippert.com/patents

SUPPORT.LCI1.COM/FURRION



The contents of this manual are proprietary and copyright protected by Lippert. Lippert prohibits the
copying or dissemination of portions of this manual unless prior written consent from an authorized Lippert representative has been provided.

Any unauthorized use shall void any applicable warranty. The
information contained in this manual is subject to change without notice and at the sole discretion of
Lippert. Revised editions are available for free download from lippert.com.

Please recycle all obsolete materials.

Les renseignements contenus dans le présent manuel peuvent seulement être distribués sous forme de document complet, à moins de recevoir
l'approbation explicite de Lippert Components pour distribuer des parties individuelles. Tous les renseignements contenus dans le présent ma-
nuel peuvent être modifiés sans préavis. Les éditions révisées pourront être téléchargées gratuitement sur le site lci1.com. Ces renseignements
sont considérés comme étant factuels jusqu'à ce qu'une version révisée les rende désuets.

Veuillez recycler tout le matériel désuet.

For all concerns or questions, please contact Lippert.
Communiquer avec Lippert Components si vous avez des questions ou des préoccupations.

Ph: 432-LIPPERT (432-547-7378) | Web: lippert.com | Email: customerservice@lci1.com