

10kg Series 9 Front Loader Washer, Steam Care

Series 9 | Front Load

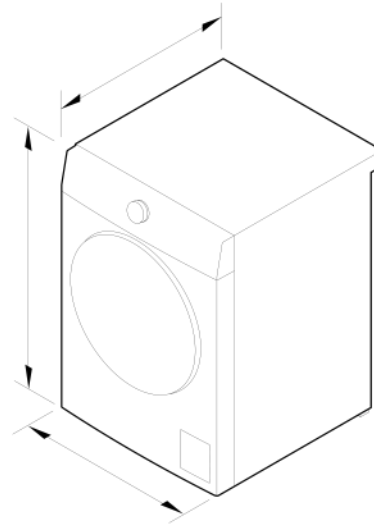


With 14 different cycles, this Steam Care front loader has advanced wash functions with SmartDrive™ technology.

- Refresh, revive and dewrinkle garments using the 20 minute Steam Refresh cycle
- Save time, minimise noise and reduce water usage with Optimise Wash options
- Add a Garment function allows you to add items of any size mid cycle
- Enjoy the convenience of not needing to fill the detergent dispenser for every wash with Auto Dose mode

DIMENSIONS

Height	850 mm
Width	600 mm
Depth	675 mm



FEATURES & BENEFITS

The Pinnacle Of Fabric Care

With 14 fabric care cycles including Steam Refresh, Quick 15, Wool and Sports. The specially-designed cushioned drum provides a gentle, effective washing action, protecting clothes while delivering an optimal wash performance.

Refresh, Revive, Respect

Bring lightly worn clothes, musty stored garments and even soft furnishings back to life with Steam Refresh. The 20 minute cycle removes odours so clothes can be worn again without the need for a full wash cycle, while steam reduces creases to save you precious time spent ironing.

Extra Protection

Our Sanitise cycle provides extra protection for your clothes. The higher wash temperature and extra rinse cycle is designed to kill more than 99.9% of bacteria and reduce allergens.

Less Waste With Auto Dose

Prolong the life of your garments with Auto Dose mode. Auto Dose dispenses the exact amount of liquid detergent required based on load size - resulting in less waste, less hassle and less detergent residue, with the added convenience of not needing to fill the dispenser for every wash.

Customise Your Wash

Shorten your total wash time with our Speed option, or choose Eco to wash more sustainably. The Quiet mode reduces cycle noise, perfect for late night washing without waking the house.

Time Saving

When time is short you can select a quick 15 minute wash for freshening up new or lightly soiled garments. In fact, Vortex Wash allows most cycles to take less than one hour to complete. Water is forced from the bottom of the drum, so detergent and heat reach your clothes faster, cleaning quickly and avoiding over-washing.

A Smarter, Quieter Wash

SmartDrive™ technology is a gentle, quiet, and efficient combination of smart electronics and a direct drive motor that senses the load, with less moving parts, to deliver better fabric care.

SPECIFICATIONS

Capacity	
Capacity	10 kg

Consumption	
Energy rating	4.5 star
Energy usage	290kWh/year
In-use energy carbon emissions estimate	27.6kgCO2e/year
Water consumption per cycle	86L
Water rating	4.5 star (WELS)

Features	
Add a garment (immediate door opening)	•
Adjustable alert beeps	•
Anti-fungal door gasket	•
Auto out of balance correction	•
Automatic water level	•
Child/Keylock	•
Delay start	•
Excess foam detection	•
Extra Rinse	•
Fabric softener dispenser	Manual
Flood protection	•
Hot and cold water inlets	•
Interior light	•
Pre Wash	•
Progress indicator	•
Quiet mode	•
Regular software updates	•

Rinse +	•
Smart appliance	•
SmartTouch™ control dial	•
Soak	•
Speed mode	•
Spin speeds	5
Stainless steel drum	•
Time to go	•
Timed liquid detergent dispenser	•
Wash +	•
Water supply	Hot & Cold
Water temperature controls	5
Wi-Fi capable	•
Woolmark certified	•
Wrinkle Free	•

Performance	
Auto-dose	•
Load sensing	•
Maximum spin speed	1400 rpm
Number of spin speeds	5
Smart Diagnosis of problems	•
SmartDrive™ technology	•
Spin performance	No Spin, 500, 800, 1100, 1400
Steam Care	•
Vortex wash	•

Product dimensions	
Depth	675 mm

Height	850 mm
Width	600 mm

Wash Cycles	
Cottons	•
Delicate	•
Drum Clean	•
Easy Iron	•
Everyday	•
Number of wash cycles	14
Quick 15	•
Quick 30	•
Rinse	•
Sanitise	•
Spin	•
Sports	•
Steam Refresh	•
Wool	•

SKU 92284

The product dimensions and specifications in this page apply to the specific product and model. Under our policy of continuous improvement, these dimensions and specifications may change at any time. You should therefore check with Fisher & Paykel's Customer Care Centre to ensure this page correctly describes the model currently available. © Fisher & Paykel Appliances Ltd 2020

Other product downloads available at fisherpaykel.com

- ↓ Energy Label
- ↓ Installation Guide (English)
- ↓ User Guide (English)

Where applicable:

All appliances use energy, and energy usage typically generates carbon emissions. **Fisher & Paykel Appliances' In-use Energy Carbon Emissions Estimate** indicates carbon emissions from a product's in-use energy. This is calculated either annually or per cycle, using the product's market-specific energy label energy consumption data multiplied by the carbon emissions factor for energy in your country or region.

Our In-use Energy Carbon Emissions Estimate is designed to assist customers in making informed purchasing decisions when comparing different Fisher & Paykel products. For example, a heat pump dryer typically has a lower In-use Energy Carbon Emissions Estimate than a vented dryer.



A PEACE OF MIND SALE
24 Hours 7 Days a Week Customer Support
T 0800 372 273 [Wwww.fisherpaykel.com](http://www.fisherpaykel.com)