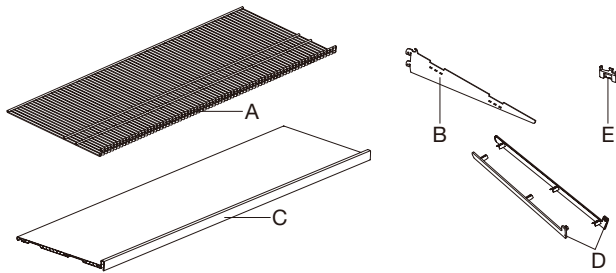


# Use and Care Guide

48 in. White / Gray / Birch Shoe Rack - Add-On

Item #1007-781-988 / 1007-782-044 / 1007-782-347

Model #90677 / 90679 / 90681



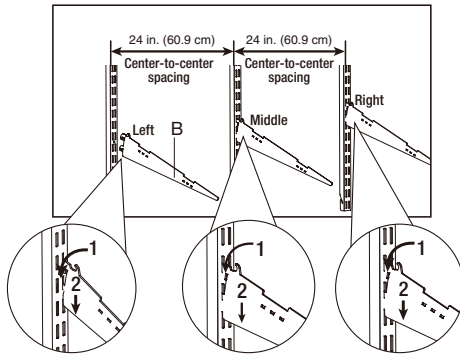
## PARTS LIST

Part	Description	Quantity
A	48 in. x 16 in. Wire Shelf	1
B	16 in. Shoe Shelf Bracket	3
C	48 in. Décor Shoe Shelf Cover	1
D	Décor Shoe Shelf Cover End cap Set (both ends)	1
E	Shoe Shelf Bracket Clip	6

## Installation

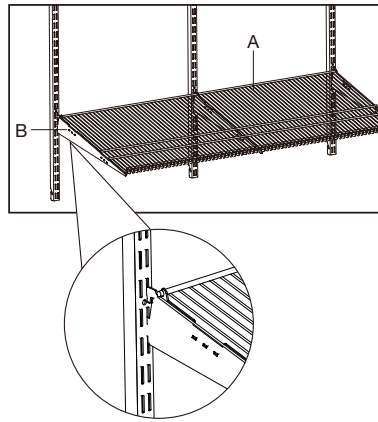
**NOTE:** Please remove protective film on the decor shoe shelf cover before installation.

- 1** Install shoe shelf brackets (B) on your existing vertical rails. Pay attention to the installed site of left, right and middle vertical rails.



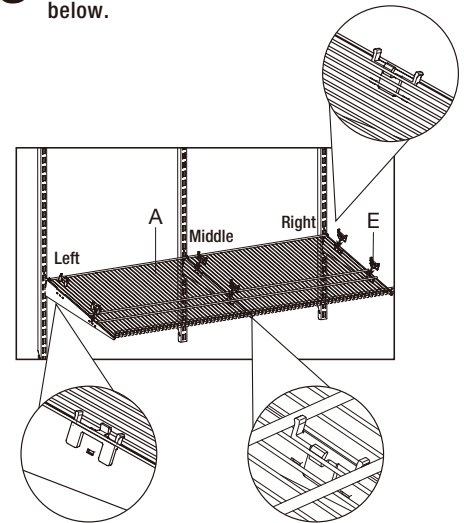
**NOTE:** The bracket has two angles as 69° and 80.5°. Pick the angle you want and make sure all of brackets have the same angle.

- 2** Place the wire shelf (A) on the installed brackets (B), ensuring the rear horizontal rod sits under the back hooks of the brackets (B).

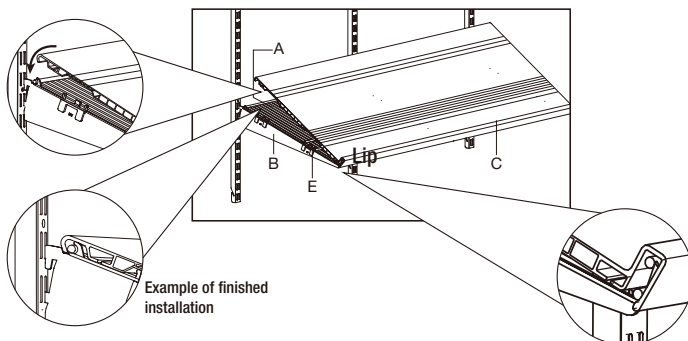


Example of finished installation

- 3** Install the clips (E) over wire shelf (A) and onto brackets (B) as shown below.

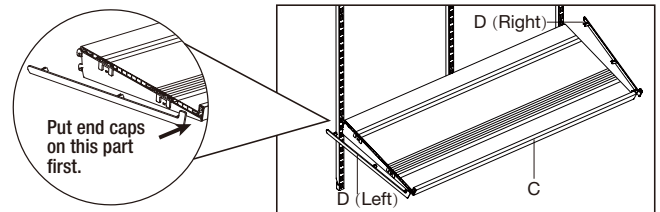


- 4** Put the decor shoe shelf cover (C) on the lip of wire shelf (A), then install as shown.



Example of finished installation

- 5** Install the end caps (D) on the decor shoe shelf cover (C).



**NOTE:** If you install more than 2 PCS of decor shoe shelf covers, it is not necessary to put the end caps between them.

## Warranty

This product is guaranteed to be free of defects in materials and workmanship for 2 years from the date of purchase. If this product is defective, call 1-800-305-1726 or return the product to the store from which it was purchased for a replacement. Guarantee does not include normal wear and tear.

HOMEDEPOT.com  
Please contact 1-800-305-1726  
for further assistance.



**WARNING:** This product can expose you to chemicals, including lead, which is known to the State of California to cause cancer and birth defects or other reproductive harm. For more information go to [www.P65Warnings.ca.gov](http://www.P65Warnings.ca.gov)