



## NITROBALL

5x 12W LED RGBW Spherical Light

## USER MANUAL



**For your safety, please read this user manual carefully before use.**

Event Lighting reserves the right to revise the manual at any time. Information and specifications within this manual are subject to change without notice. Event Lighting assumes no liability or responsibility for any errors or omissions. Please consult Event Lighting for any clarification or information regarding this item.

Version 1.0 (revised 5 November 2020)

## Safety Instructions

### Warning

- Do not open this device, there are no user serviceable parts inside. Risk of electric shock.
- Do not look directly at the light source from close range.
- Avoid contact with the unit during operation, as the housing may become hot. Allow the fixture to cool for at least 15 minutes after turning off before touching.
- Install this device in a location with adequate ventilation, at least 50cm from adjacent surfaces.
- Do not operate this device, or connect this device to power, within 50cm of any flammable material.
- Use a safety chain when mounting this device overhead.
- Do not operate this device outdoors where excessive dust, heat, water, or humidity may affect it.
- Do not operate this device if the housing, lenses, or cables appear damaged.
- Do not connect this device to a dimmer or rheostat.
- Do not operate this device at temperatures higher than 40°C (104°F).
- **Only** connect this device to a grounded and protected circuit.
- **Only** use the hanging bracket to carry this device.
- Stop using this device immediately if a serious operating problem becomes apparent.

### Power Input

This device has an auto switching power supply work with input voltage range of 100-240V AC, 50/60Hz.

## Product Installation

NITROBALL can be mounted in many orientations, provided each individual device is secured by the use of the correct mounting bracket. Use a safety chain when mounting NITROBALL overhead.

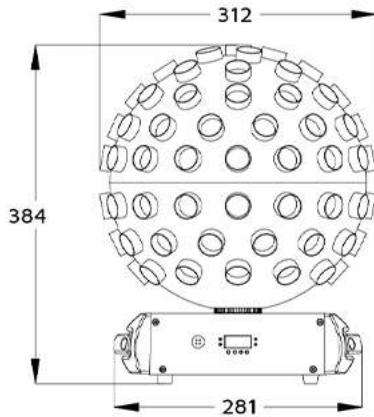
## Fuse Replacement

If the fine-wire fuse of the device fuses, replace the fuse with one of the same type of rating. Before replacing the fuse, unplug the device from the power source.

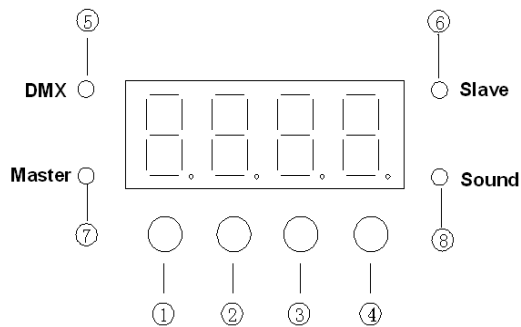
### Fuse Replacement Steps

1. Unscrew the fuse holder located on the rear panel from the housing.
2. Remove the old fuse from the holder.
3. Install the new fuse into the holder.
4. Place the fuse holder back into the housing and secure tightly.

## Dimensions



## Control Panel



## Buttons

- (1) **MENU** – Select an operation mode or return to previous screen.
- (2) **ENTER** – Confirm the selected function.
- (3) **UP** – Increase parameters.
- (4) **DOWN** – Decrease parameters.

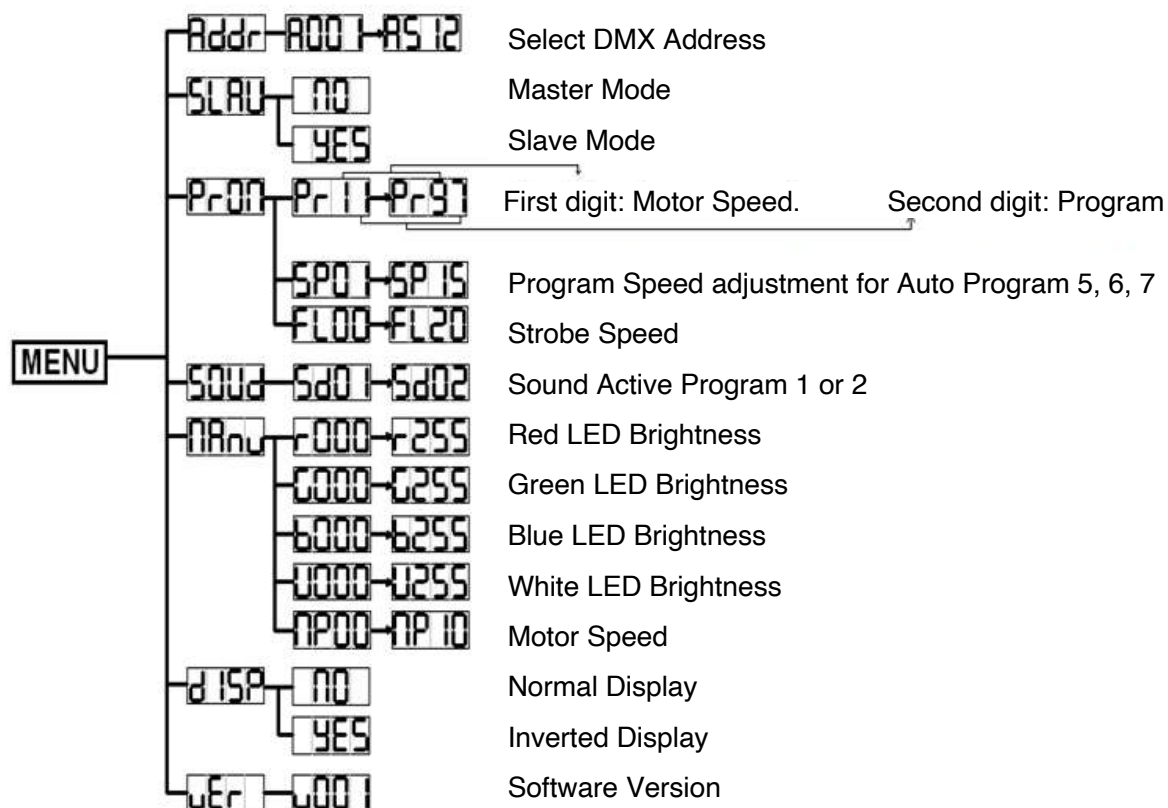
## Indicators

- (5) DMX signal LED indicator (Flash/Off)
- (6) Slave Mode LED indicator (Flash/Off)
- (7) Master Mode LED indicator (Flash/Off)
- (8) Sound Active Mode LED indicator (Flash/Off)

- The LED Display will switch off after 10 seconds. Press any button to turn it back on.
- The fixture will automatically save the selected setting after a few seconds.
- When NITROBALL is connected via DMX or SLAVE signal, it automatically activates DMX or SLAVE mode. If you disconnect it, NITROBALL will return to the previous setting.

## Menu

Press the MENU button to select an operation mode or return to the previous menu. Use UP and DOWN to navigate the menu. Press ENTER to change or activate menu options.



## DMX Chart

Channel	Value	Function when Channel 1's value is 59-255	Function when Channel 1's value is 0-58
1	000 - 058		Switch on colour dimmer DMX mode
	059 - 078	Auto show 1	
	079 - 098	Auto show 2	
	099 - 118	Auto show 3	
	119 - 138	Auto show 4	
	139 - 158	Auto show 5	
	159 - 178	Auto show 6	
	179 - 198	Auto show 7	
	199 - 227	Sound active show 1	
228 - 255	Sound active show 2		
2	000 - 255	Program speed adjustment for auto show 5, 6 & 7	Master dimmer
3	000 - 255	Strobe speed adjustment	strobe speed adjustment
4	000 - 255	Motor speed adjustment	Red 0% ~ 100%
5	000 - 255		Green 0% ~ 100%
6	000 - 255		Blue 0% ~ 100%
7	000 - 255		White 0% ~ 100%

8	000 - 009		The motor stops
	010 - 128		Counter clockwise rotation speed adjustment (slow to fast)
	129 - 137		The motor stops
	138 - 225		Clockwise rotation speed adjustment (slow to fast)

## Technical Specifications

### Photometrics

- Light Source: 5x 12W RGBW 4-in-1 LEDs
- Coverage angle: 360°
- LED Lifespan: 50,000 hours.

### Power

- Input Voltage: 100~240V AC, 50/60 Hz.
- Power Consumption: 72W.
- Connection: IEC in.

### Control

- Protocol: DMX512.
- Operation modes: DMX, auto, manual, sound active, master/slave
- DMX Channels: 8
- Interface: 3-pin DMX in/out.
- Display: LED Display with 4-button control.

### Housing

- Finishing: Matte Black.
- Net Weight: 3.6kg
- Dimensions: 312x312x383 mm.

## Warranty

Please refer to your local dealer or contact Event Lighting.