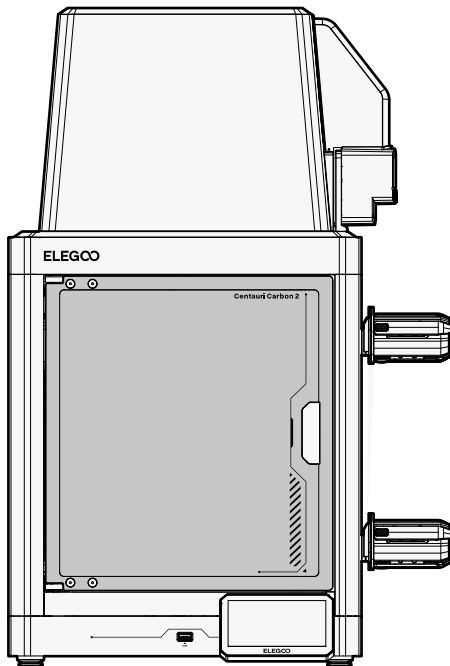


ELEGOO

● Centauri Carbon 2 Combo



User Manual

i Please refer to the included USB drive for a setup and installation instructional video. V1.3

Thank you for choosing the ELEGOO Product!

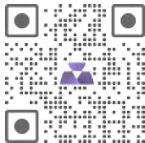
Upon receiving your product, please check that the device is in good condition and all accessories are included. If you encounter any issues during installation, operation, or maintenance, please contact the ELEGOO after-sales team through the official channels below for professional support:



Visit our official support page

Scan the QR code for one-on-one assistance.

<https://www.elegoo.com/pages/contact-support>. (We recommend copying the link and opening it in your browser.)



Unlock infinite free models

Scan the QR code to explore Nexprint and download free models for easy, one-click printing.

<https://www.nexprint.com/?got=IN>

(Note: To ensure optimal performance, each ELEGOO product undergoes rigorous printing tests before shipping. Minor surface scratches may be visible upon delivery; this is normal and will not affect functionality.)

Important Notes

- Do not place the printer in highly vibrating or unstable environment, as machine vibrations can affect print quality.
- Do not touch the nozzle or heated bed while the printer is in operation to avoid burns and personal injury from high temperatures.
- After printing, promptly utilize the residual heat in the nozzle to effectively clean the filament residue using a suitable tool. Avoid direct contact with the nozzle to prevent potential burns.
- We recommend using ELEGOO's slicing software to ensure the proper functioning of the machine and achieve optimal printing results.
- Perform regular maintenance on the printer by cleaning the machine body with a dry cloth to remove dust and any sticky filament residue. Ensure the printer is powered off before cleaning.
- Regularly inspect and clean the printer's cooling fans to prevent dust buildup, ensuring optimal performance and extended service life.
- Be cautious of the machine's high-speed moving parts to avoid any potential pinch hazards.
- The Z-axis of the machine utilizes lead screws for its moving parts. Apply lubricating oil as needed to ensure smooth movement.
- Children must be supervised by adults when using the machine to avoid personal injury.
- In case of an emergency, directly turn off the power.
- Ensure the machine is properly grounded for safe operation. Failure to properly ground or neglecting to ground the machine can increase the risk of electrical leakage.
- If the machine is not in use for an extended period, please turn off the power and unplug the power cord.

Contents

Machine Specifications	01
Printer Component Introduction	02
CANVAS Component Introduction	04
Included Accessories	05
Tool Kit	06
Remove the Package	07
Install the Printer	08
Install the CANVAS	09
Load the Filament	12
First Print	15
ElegooSlicer	16
LAN (Network) Printing	19
Mainboard Connections	21

Machine Specifications

Printing Specifications

- Printing Technology: Fused Deposition Modeling (FDM)
- Build Volume: 256*256*256mm
- Printing Accuracy: ±0.1mm
- Included Nozzle Diameter: 0.4 mm
- Printing Speed: ≤500mm/s
- Ambient Temperature : 5°C-40°C

Electrical Requirements

- Input Power: AC 100-240V; 50/60Hz
- Rated Power: 1100W@220V 350W@110V

Operating Temperature Specifications

- Max Nozzle Temperature: 350°C
- Max Heated Bed Temperature: 110°C

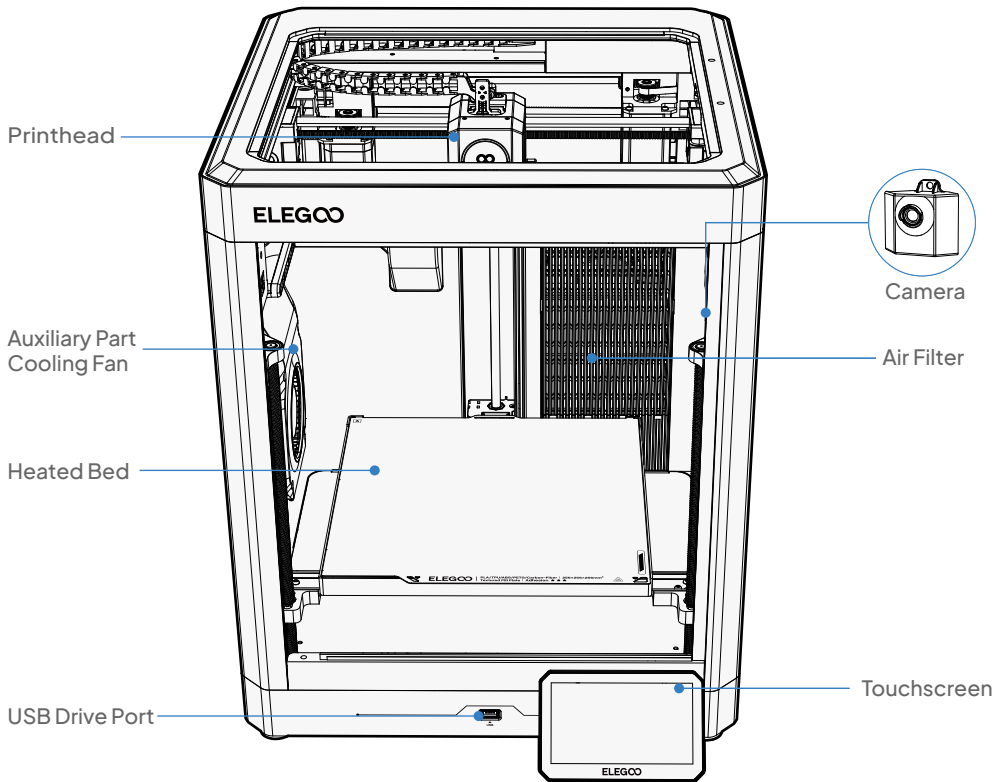
Physical Specifications

- Machine Size: 500*480*743mm
- Net Weight: 19.35kg

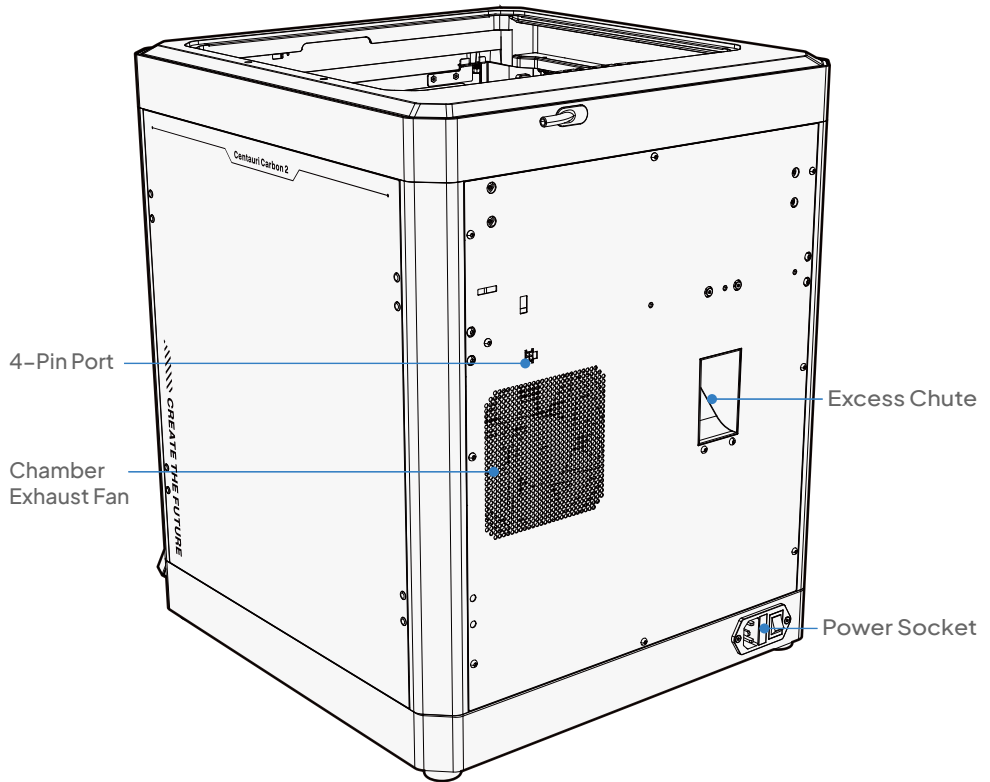
Software Specifications

- Slicer Software: ElegooSlicer (Recommended)
- Input File Format: STL, OBJ, 3MF, STEP
- Output File Format: G-code
- Connectivity: USB Drive, Wi-Fi

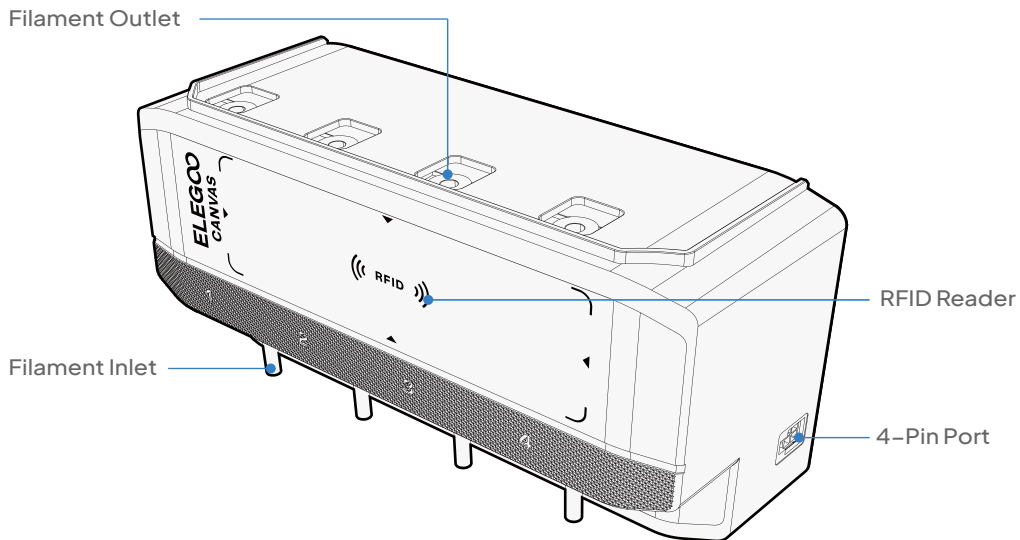
Printer Component Introduction



Printer Component Introduction



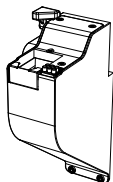
CANVAS Component Introduction



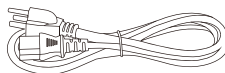
Included Accessories



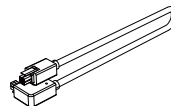
Touchscreen



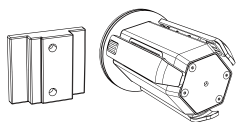
Nozzle Wiper Assembly



Power Cord



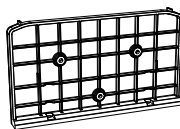
4-Pin Cable



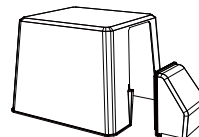
Spool Holder Module (x4)
(2 Left, 2 Right)



Filament Hub



CANVAS Mounting Bracket



Thermal cover



User Manual

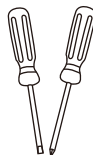
Tool Kit



Unclogging Pin



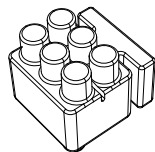
(1.5/2.0/2.5/3.0 mm)
Allen Key



Screwdriver



Filament Sample



Spare Nozzle Wiper



USB Drive



Scraper Blade



PTFE Tube (x4)



PM3×6 (x4) — Filament Hub& Nozzle Wiper Assembly



PA3×10 (x2) — Scraper Blade



PM3×8 (x3) — CANVAS Feeding Module



HM3×14 (x8) — Spool Holder



PM3×50 (x2) — CANVAS Mounting Bracket

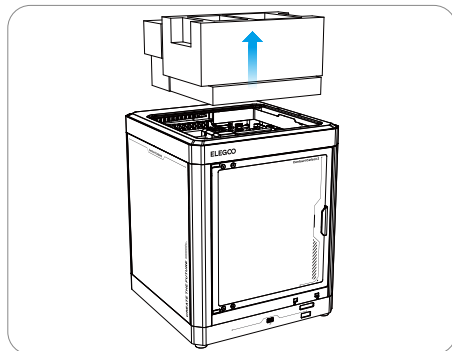


FM3×12 (x2) — Nozzle Wiper Assembly

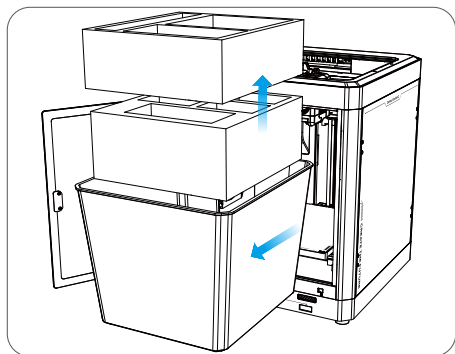
Remove the Package



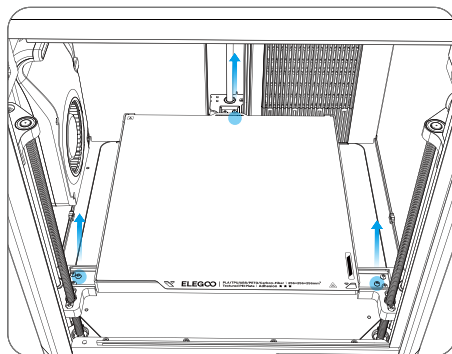
Scan for tutorial



1. Take out the foam, touchscreen, and toolbox from the printer.

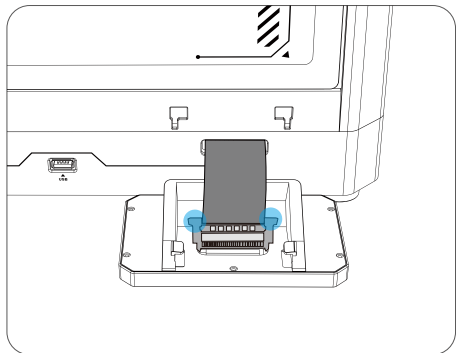


2. Open the glass door and take out the thermal cover. Then, remove the foam, nozzle wiper assembly, and CANVAS module inside the enclosure.

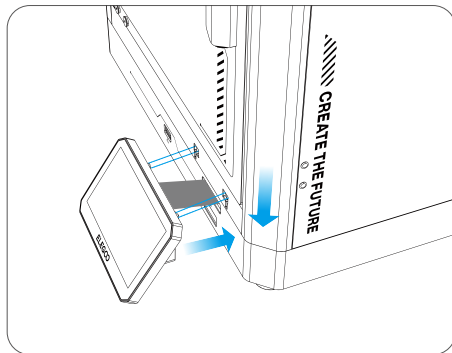


3. Use the 2.5 mm allen key to remove the 3 screws marked in blue to unlock the heated bed.

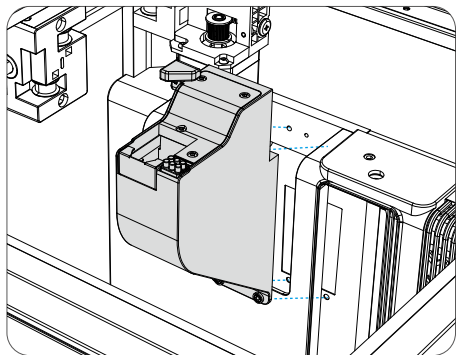
Install the Printer



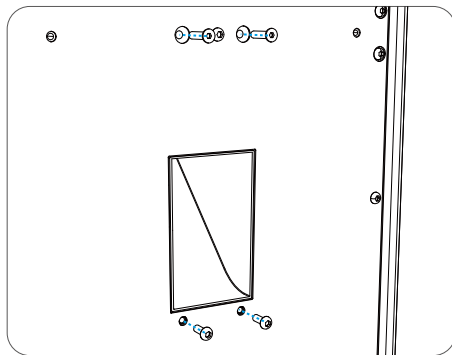
1. Insert the Flexible Printed Circuit (FPC) into the touchscreen port by pressing the terminal as pictured. Make sure the gold contacts face upwards for correct orientation.



2. Insert the screen into the slot on the printer and press down to lock it in place.

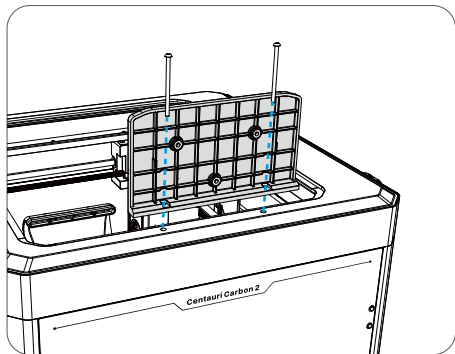


3. Align the nozzle wiper assembly with the screw holes on the rear panel.

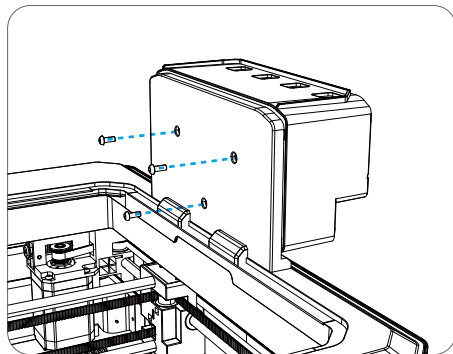


4. Secure the top with 2 FM3×12 screws and the bottom with 2 PM3×6 screws to complete the wiper assembly installation.

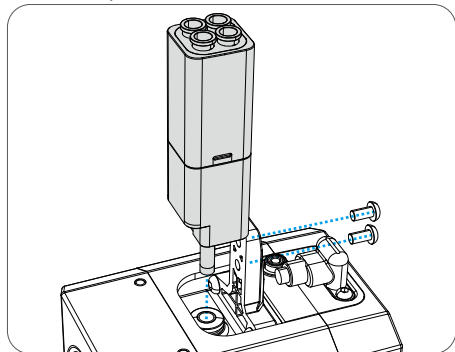
Install the CANVAS



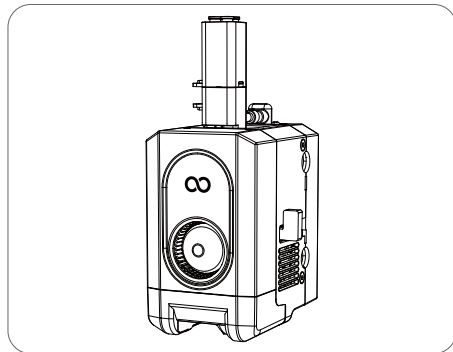
1. Attach the CANVAS mounting bracket to the machine using 2 PM3×50 screws. (Remove any silicone plugs from the top mounting holes before installation.)



2. Mount the CANVAS feeding module onto the bracket using 3 PM3×8 screws.

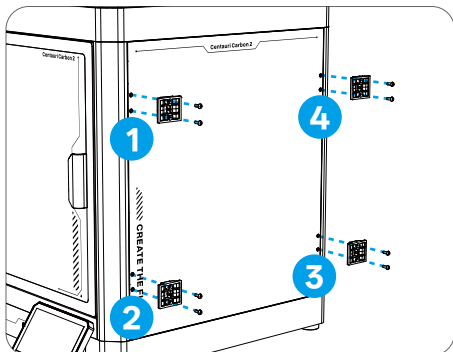


3. Install the filament hub onto its bracket. Insert the hub's metal tube downward into the printhead's pneumatic fitting, then secure with 2 PM3×6 screws.

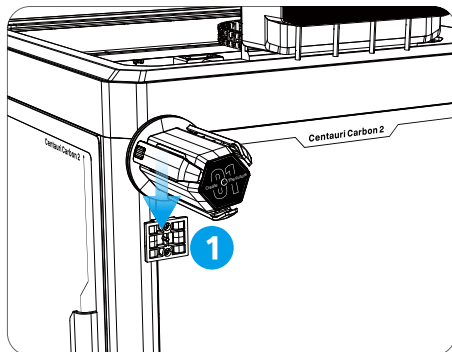


4. The filament hub installation is now complete.

Install the CANVAS

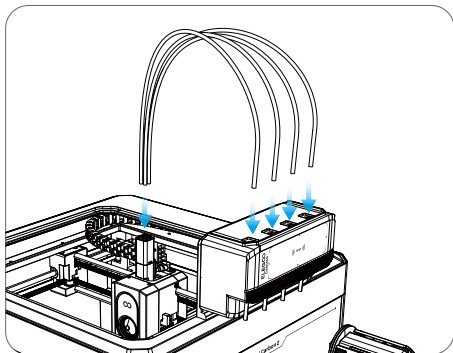


5. Mount the spool holder bracket to the side panel using 8 HM3×14 screws.

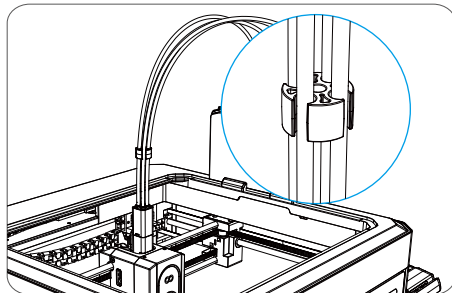


6. Push each spool holder down into the mounting bracket until it snaps into place. Repeat this for all four holders.

Note: Make sure each holder is installed in its designated numbered position to ensure the filament recycling function works properly.

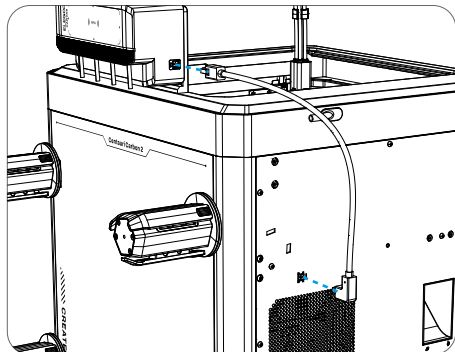


7. Connect the four PTFE tubes between the pneumatic fittings on the CANVAS module and the filament hub.

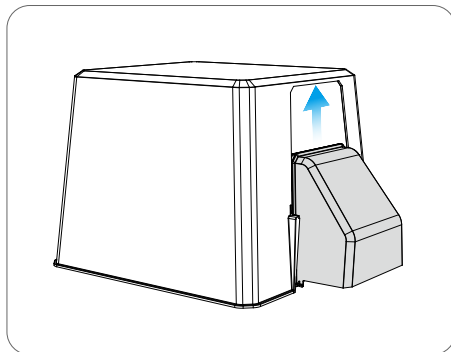


8. Use the clips to bundle the four tubes neatly together.

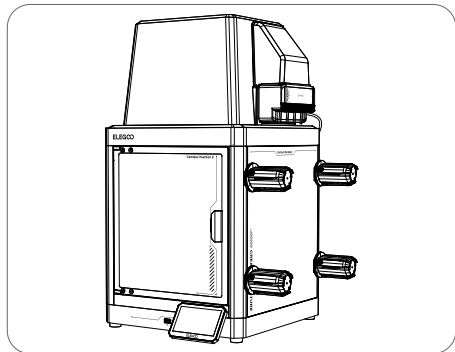
Install the CANVAS



9. Connect the printer and CANVAS with the 4-pin cable, angled end into the printer's back panel, straight end into the right side of the CANVAS.

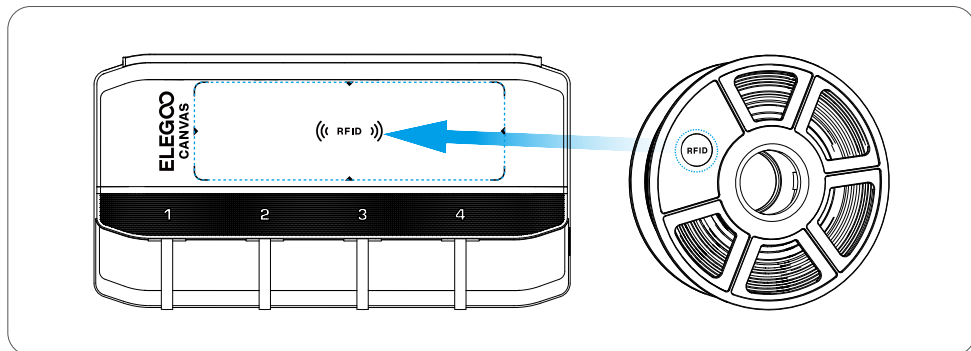


10. Align the extension piece with the main thermal cover and push upward until it snaps into place. Then seat the thermal cover onto the printer.

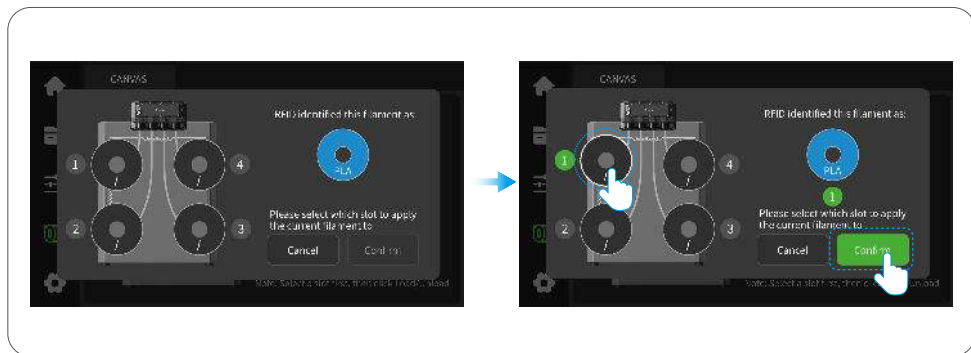


11. The CANVAS installation is now complete.

Load the Filament

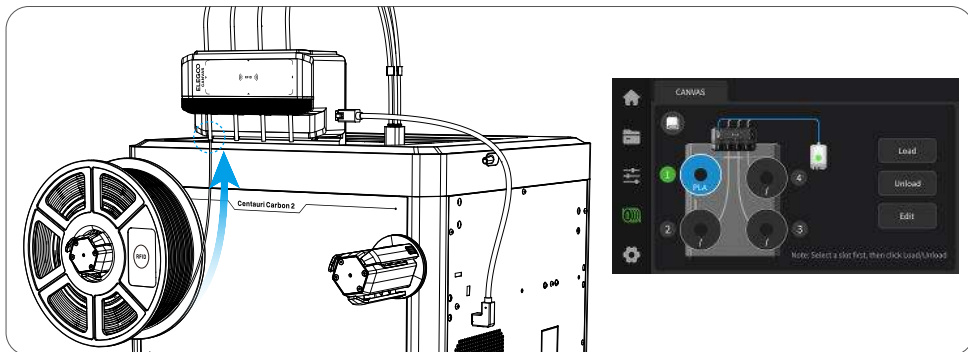


1. For RFID-enabled spools, hold the tag against the recognition area on the CANVAS until you hear a confirmation beep.

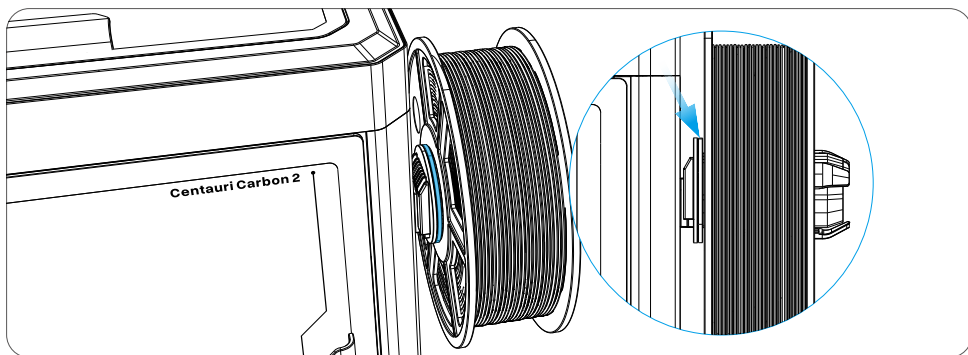


2. Select the holder for your spool and click "Confirm" to automatically register the material.

Load the Filament

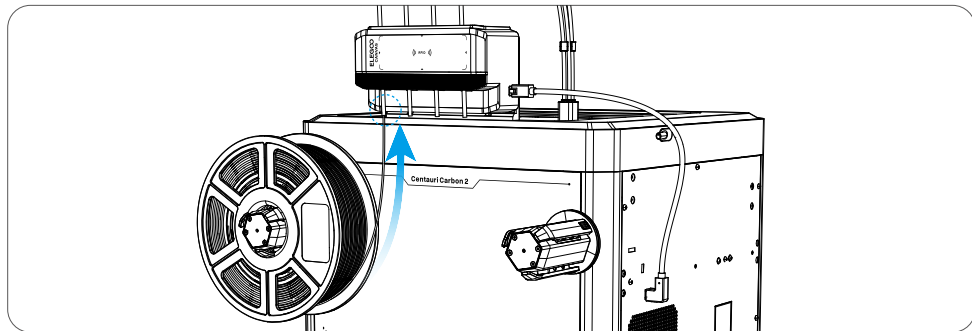


3. Mount the spool on its numbered holder and insert the filament into the matching inlet on the CANVAS. The filament will be detected and automatically fed to the ready position.
4. Repeat this process for any additional spools.

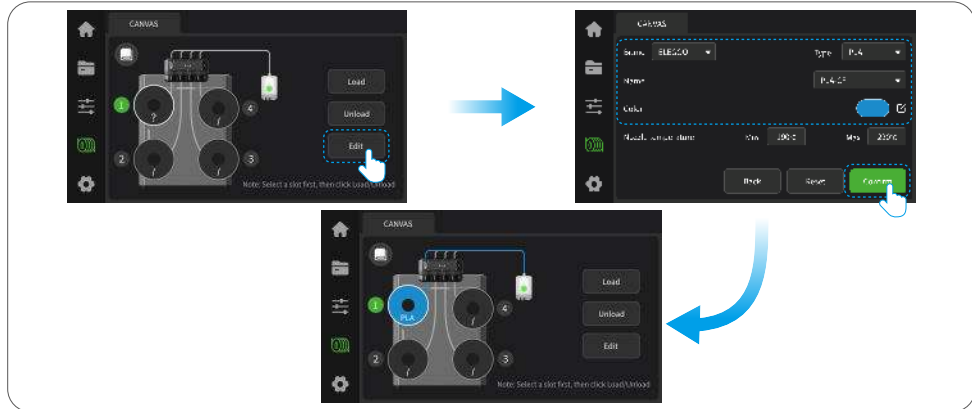


Note: Ensure the spool is fully seated and secured against the retaining edge of the holder to prevent accidental spool drop and filament tangling.

Load the Filament



1. For spools without RFID tags, manually enter the filament information.

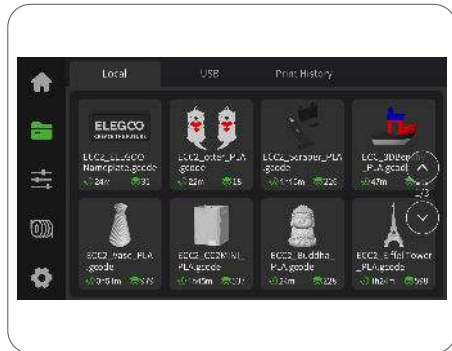


2. Enter the material details (brand, type, color) for each spool on the screen.

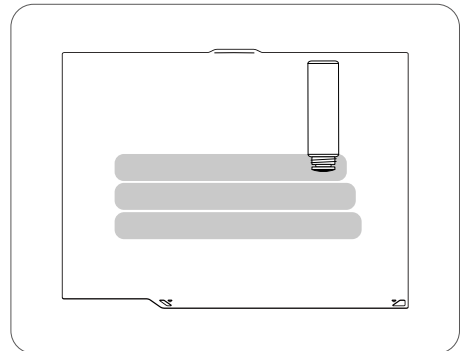
3. Complete the loading for all non-RFID spools.

Note: Filament with RFID tags can also be registered manually if preferred.

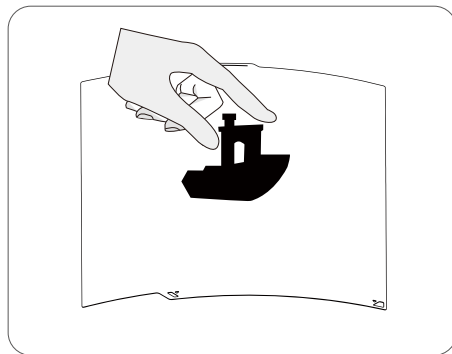
First Print



1. Go to **[Green Icon]** - **[Local]** and select a model to start a test print. (Tip: Long-press files on the USB drive to import them to local storage.)



2. To maintain optimal adhesion, regularly clean the build plate with warm water and dish soap. For even better grip, you can also apply a bed adhesive.



3. After the printed model cools, remove the flexible build plate and gently bend it to release the model. (Avoid over-bending to prevent permanent deformation of the plate.)

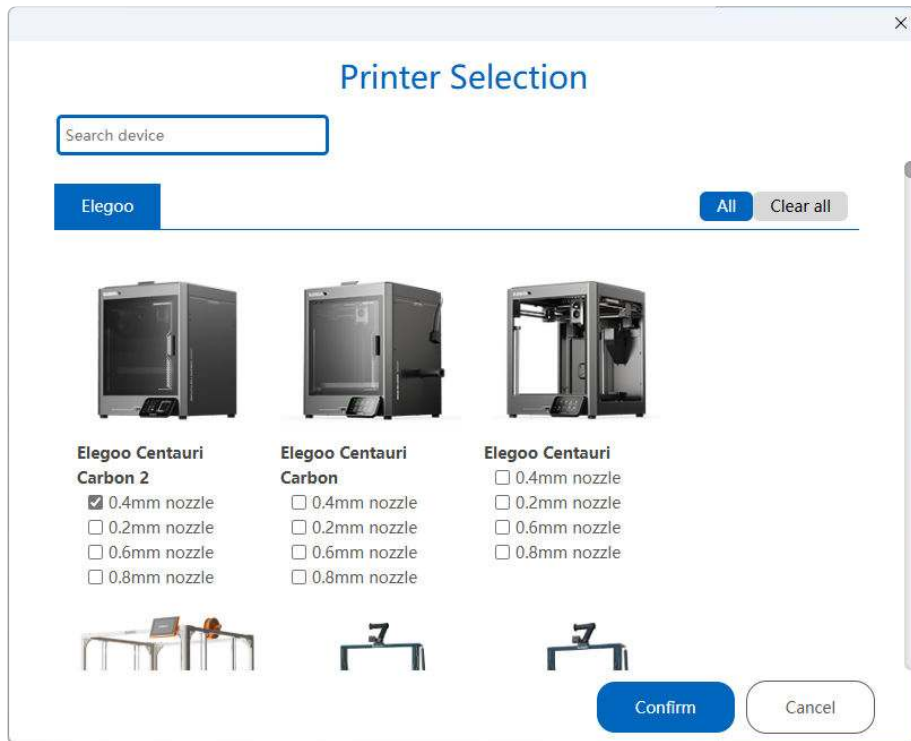
ElegooSlicer

Install the ElegooSlicer software from the included USB drive. Select the appropriate installation package for your computer system.

*Update the software if prompted after installation.

*Installation packages: .exe (Windows), x86_64.dmg (Intel Mac), arm64.dmg (M-series Mac).

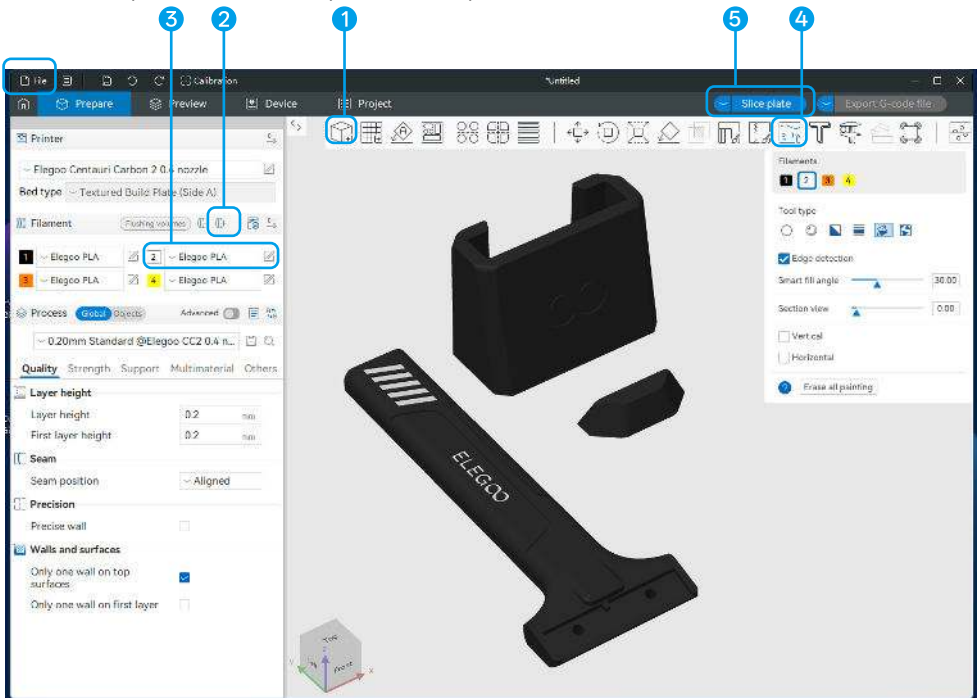
1. After successful installation, follow the setup wizard to configure your printer and filament settings.



ElegooSlicer

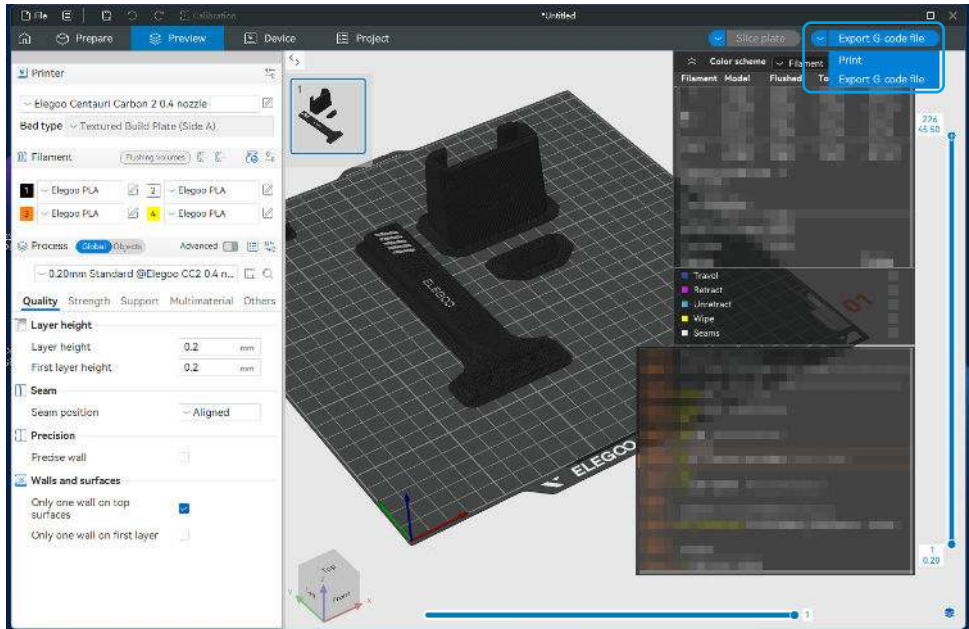
2. To slice a multi-color model:

- 1 Drag and drop a model file into the slicer, or click “File” in the upper-left corner to import a model. Try one of the included sample files for your first test.
- 2 Click “+” on the left toolbar to add filament.
- 3 Set the filament type and color for each spool.
- 4 Select the model, then click “Color painting” in the upper right (or press N) to enter paint mode.
- 5 Click “Slice plate” and wait for the process to complete.



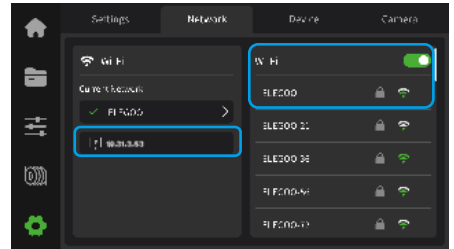
ElegooSlicer

3. When slicing is complete, click “Print” in the upper-right corner to send the file to your printer (ensure it is connected—see page 19), or select “Export G-code” to save it to the USB drive for offline printing.

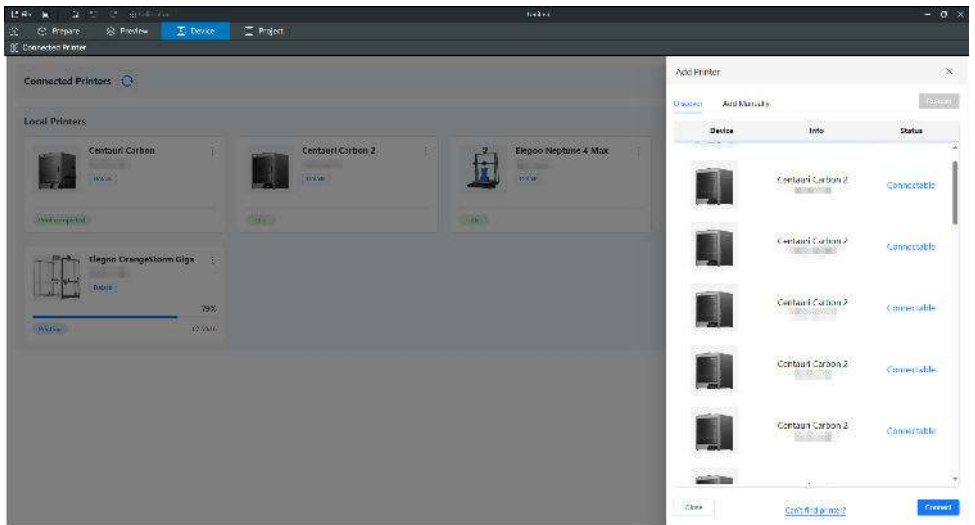


LAN (Network) Printing

1. Connect your printer to Wi-Fi through the network settings. The assigned IP address will display once successfully connected (as shown in the right figure).

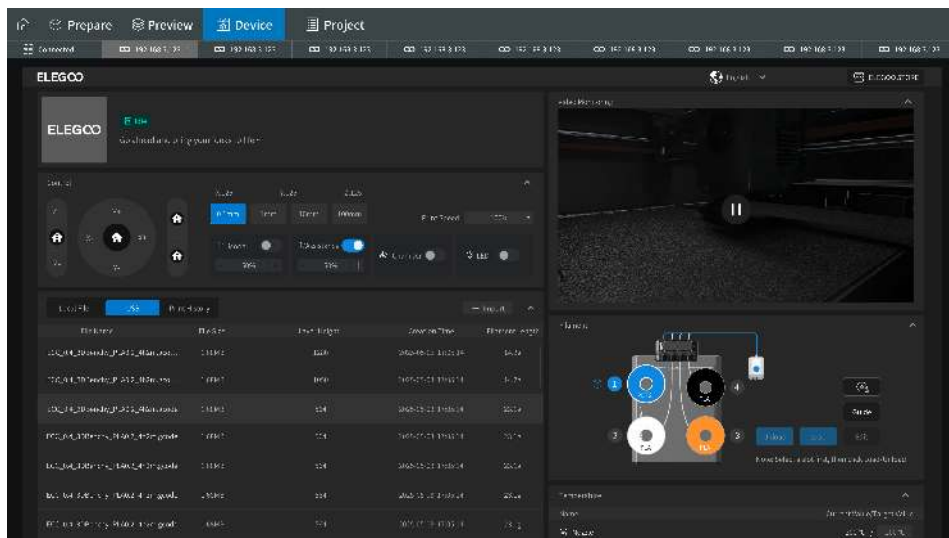


2. Ensure your computer and printer are on the same local network. In ElegooSlicer's Device tab, click "Add Printer" (upper-right), double-click your printer from the detected devices list, and click "Connect" to complete pairing.



LAN (Network) Printing

3. Monitor print jobs directly through ElegooSlicer, where you can start, pause, or stop prints as needed.

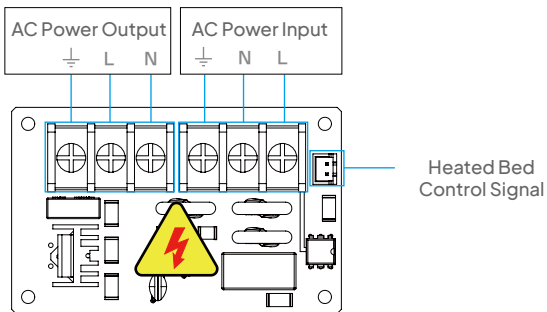
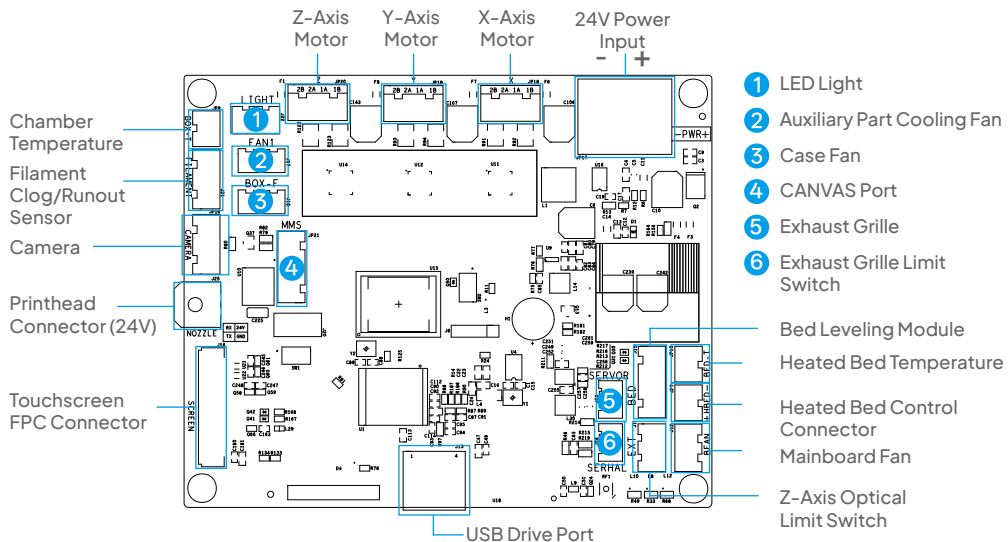


The screenshot displays the ElegooSlicer software interface. At the top, there are navigation tabs: 'Prepare', 'Preview', 'Device', and 'Project'. Below these, a toolbar contains various icons for file operations and printer control. The main area is divided into two sections. On the left, a table lists print jobs with columns for 'Job Name', 'Status', 'Print Height', 'Remaining Time', and 'Estimated Size'. On the right, a 3D model of a printed part is shown in a dark environment, with a play/pause button overlaid. Below the 3D model, there is a schematic diagram of the printer's internal components, including the extruder, motor, and filament spool, with numbered callouts (1-4) and a 'Pause' button.

Job Name	Status	Print Height	Remaining Time	Estimated Size
100_04_10_0400_P_012_040000...	100%	100%	00:00:00	100%
100_04_10_0400_P_012_040000...	100%	100%	00:00:00	100%
100_04_10_0400_P_012_040000...	100%	100%	00:00:00	100%
100_04_10_0400_P_012_040000...	100%	100%	00:00:00	100%
100_04_10_0400_P_012_040000...	100%	100%	00:00:00	100%
100_04_10_0400_P_012_040000...	100%	100%	00:00:00	100%
100_04_10_0400_P_012_040000...	100%	100%	00:00:00	100%
100_04_10_0400_P_012_040000...	100%	100%	00:00:00	100%
100_04_10_0400_P_012_040000...	100%	100%	00:00:00	100%
100_04_10_0400_P_012_040000...	100%	100%	00:00:00	100%

4. For complete software instructions, refer to the *ElegooSlicer User Manual* on the included USB drive.

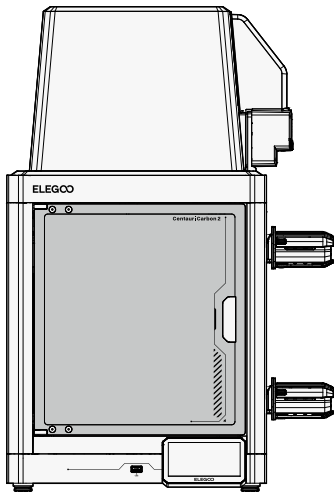
Mainboard Connections



Warranty Statement

- ELEGOO printers are covered by a warranty from the date of receipt. Warranty periods for different components may vary. For more details, please visit our website (<https://www.elegoo.com/pages/refund-policy>).
- The free warranty does NOT include problems caused by self-disassembly and improper use, and wear and tear of the machine housing, etc.

ELEGOO



Happy Printing!

www.elegoo.com