



EG4® 12k Mini-Split

12000BTU Air Conditioner/Heat Pump

**Plug-n-Cool
Do-It-Yourself**

**New SEER2 Rating:
28.5**

**5-Year Limited
Warranty**

New Plug-n-Cool Technology

Easy Do-It-Yourself Installation

Allows for quick and easy refrigerant line-set connection via the quick-connect self-closing companion valves without special tools, equipment, or training. No need to pull a vacuum.

Latest & Greatest Efficiency Rating

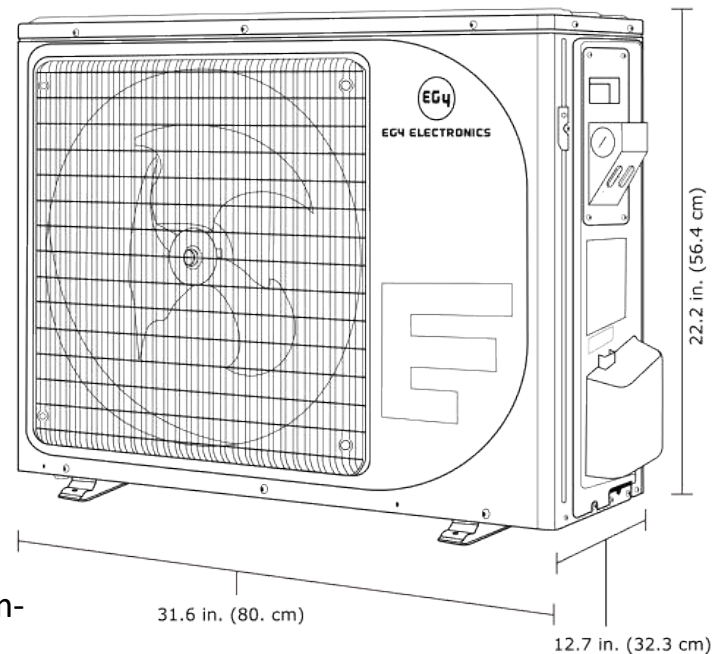
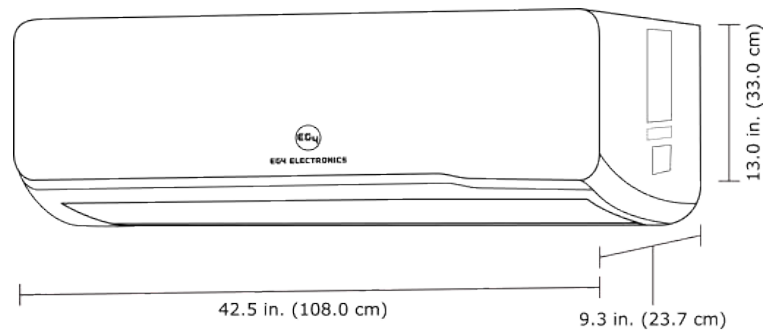
New SEER2 Rating: 28.5

Go above and beyond the norms of other efficient mini-split systems while maintaining maximum performance, safety, and reliability.

Over 12000BTU of Heating & Cooling Capacity

Heat & Cool up to 650 Square Feet

Get sophisticated air conditioning in medium-sized rooms.





EG4® 12k Mini-Split

12000BTU Air Conditioner/Heat Pump

Electrical Specifications	
Rated Voltage	Single-Phase 115VAC
Rated Current	8.35A
Frequency	60Hz
Minimum Circuit Ampacity	19.05A
Maximum Fuse Size	20A
Maximum Starting Current	4A
Rated Cooling	
Nominal Capacity	12,000 BTU/h
Capacity Range	3,000-13,000 BTU/h
Input Power	190-1050W
Rated Current	8.45A
EER	12.5
SEER2	28.5
Rated Heating	
Nominal Capacity	12,000 BTU/h
Capacity Range	3,000-13,000 BTU/h
Input Power	190-1050W
Rated Current	7.47A
COP	14.12 Btu/W
Heating Seasonal Performance Factor (HSPF)	12.7
HSPF2	11.3
System Data	
Design Pressure [PSI Gauge (PSIG)]	<651
Refrigerant	R410A/45.86 oz.
Refrigerant Pre-charge	16.4 ft.
Additional charge per ft	0.2 oz.
Liquid valve	0.25 in. (6.35mm)
Gas valve	0.5 in. (12.7mm)
Max refrigerant pipe length	49 ft.
Max difference in level	26 ft.



EG4® 12k Mini-Split

12000BTU Air Conditioner/Heat Pump

Compressor Specifications	
Type	2×Rotary
Input Power	190-1050W
Rated Load Amperage (RLA)	3.6A
Indoor Unit Data	
Rated Load Amperage (RLA)	0.48A
Speed (Turbo/5/4/3/2/1block)	900/850/800/750/700/680 r/min
Air Flow (Turbo/5/4/3/2/1block)	442/410/380/350/320/305 CFM
Sound Pressure (Turbo/5/4/3/2/1block)	37/36/35/34/33/32 dB(A)
Moisture Removal	2.65 pt/hr
Indoor Unit Dimensions	
Unit Dimension (W×D×H)	42.51×9.33×12.99 in
Packaging (W×D×H)	44.88×11.81×14.25 in.
Net/Gross weight	33.07/38.58 lbs.
Outdoor Unit Data	
Rated Load Amperage (RLA)	0.42A
Speed (Hi/Med/Lo)	800 r/min
Air Flow (Hi/Med/Lo)	1060 CFM
Sound Pressure (Hi/Med/Lo)	52 dB(A)
Outdoor Unit Dimensions	
Unit Dimension (W×D×H)	31.57×12.72×22.2 in.
Packaging (W×D×H)	35.83×15.94×24.49 in.
Net/Gross weight	70.55/79.37 lbs.
Operation Temperature	
Indoor (cooling/heating)	61-90/32-90 °F
Outdoor (cooling/heating)	32-131/5-86 °F
Accessories	
Control	Remote
Connection Cable	18AWG (4 Stranded)
Installation Copper Kit	16.4 ft.
Warranty	
Limited Warranty	5* year limited warranty
*See EG4® Warranty Registration for terms and conditions	



Globaly Recoginized. Industry Respected.