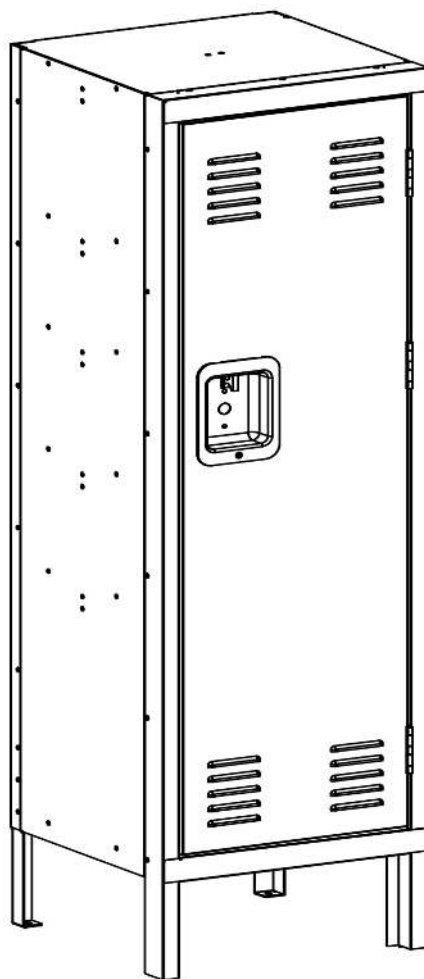









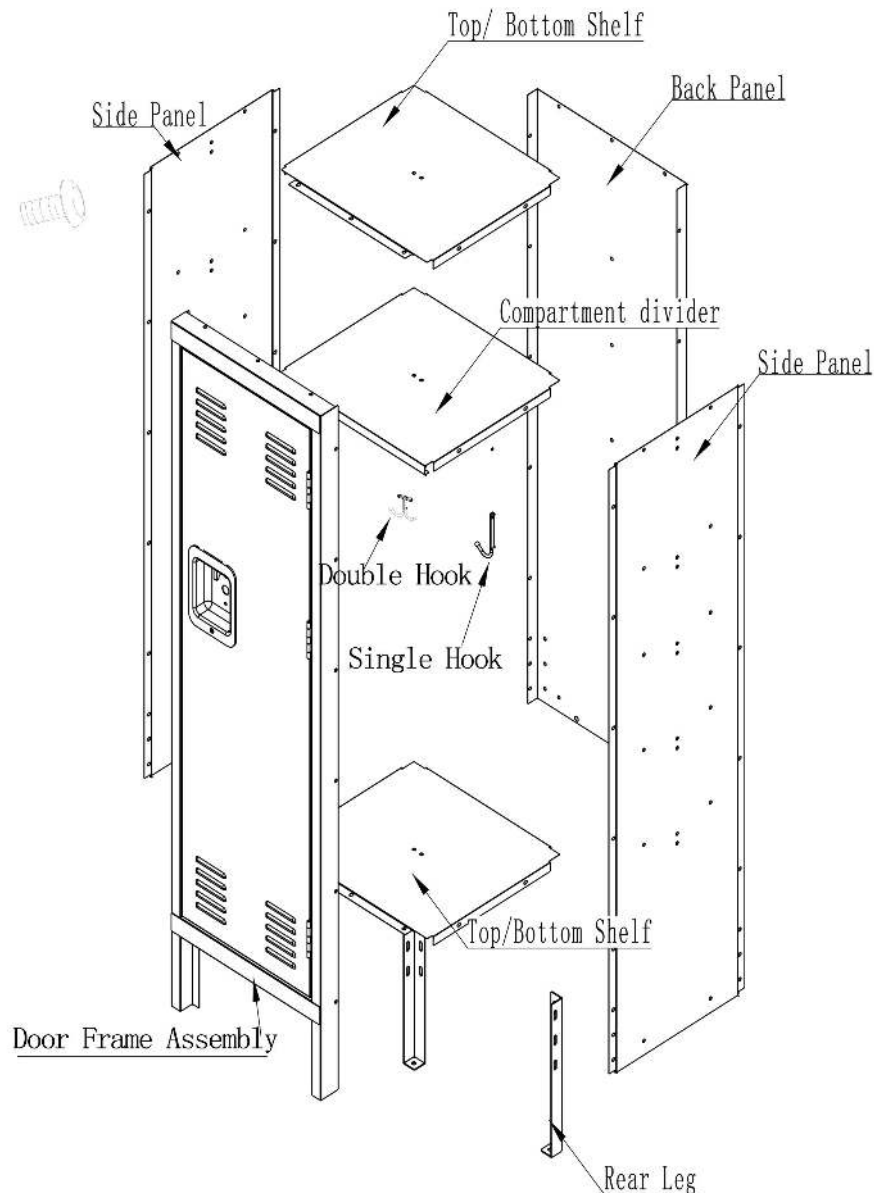
Installation Instruction



Installation Instruction

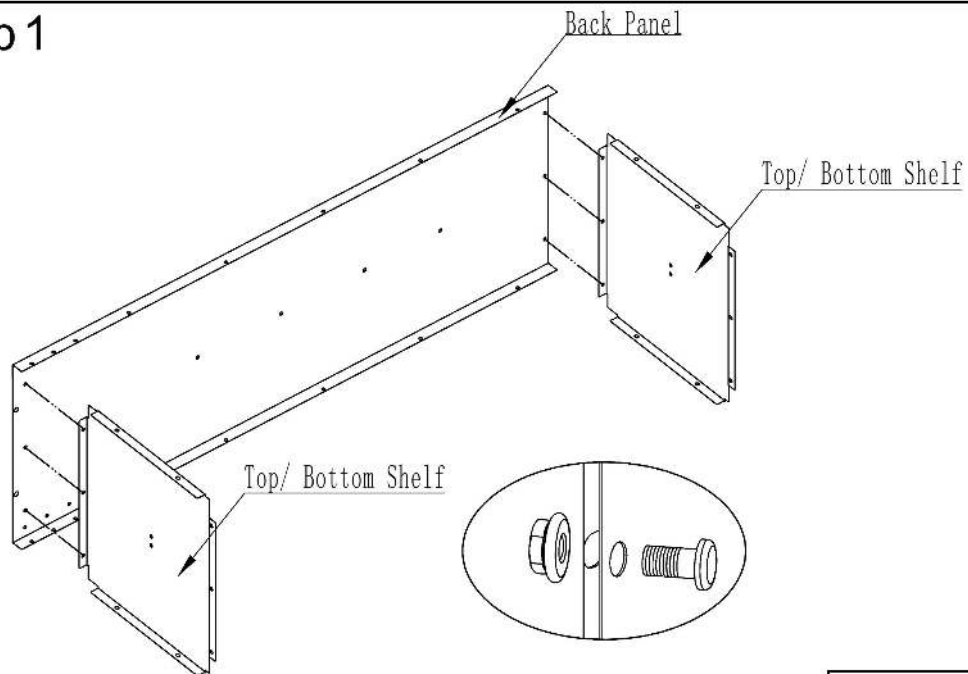
- Please read the complete assembly instructions carefully before assembling the cabinet.
- Check the materials to make sure they are working correctly and are not damaged.
Cabinets should be assembled on a flat surface.
- Refer to the illustrations to identify the parts and accessories of the cabinet.

						
Screws	Nuts	Screwdriver	Double Hook	Single Hook	Gloves	Mirror
65 PCS	65 PCS	1 PCS	1 PCS	2 PCS	1 PCS	1 PCS

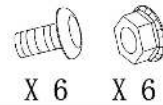


Installation Instruction

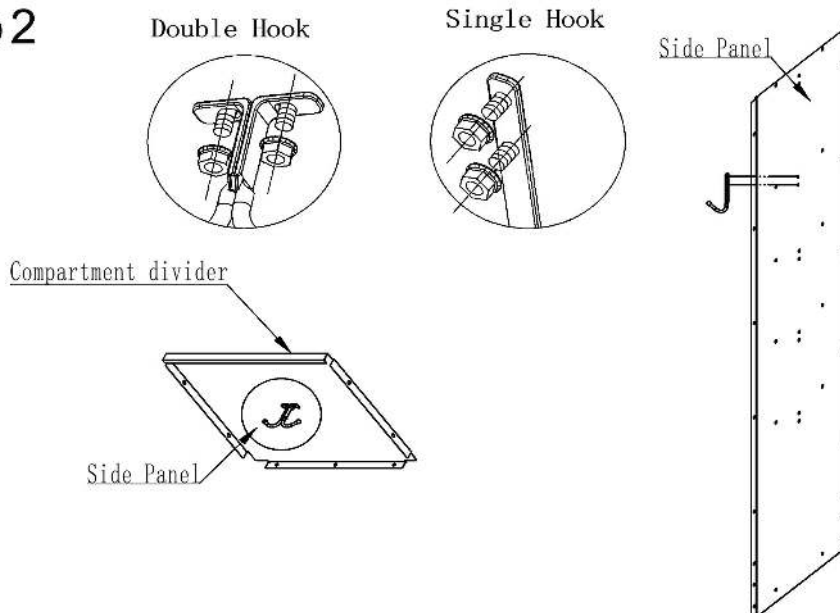
Step 1



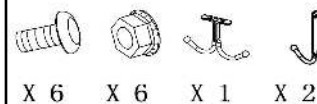
Securely fasten the top shelf and bottom shelf to the back panel with screws.



Step 2



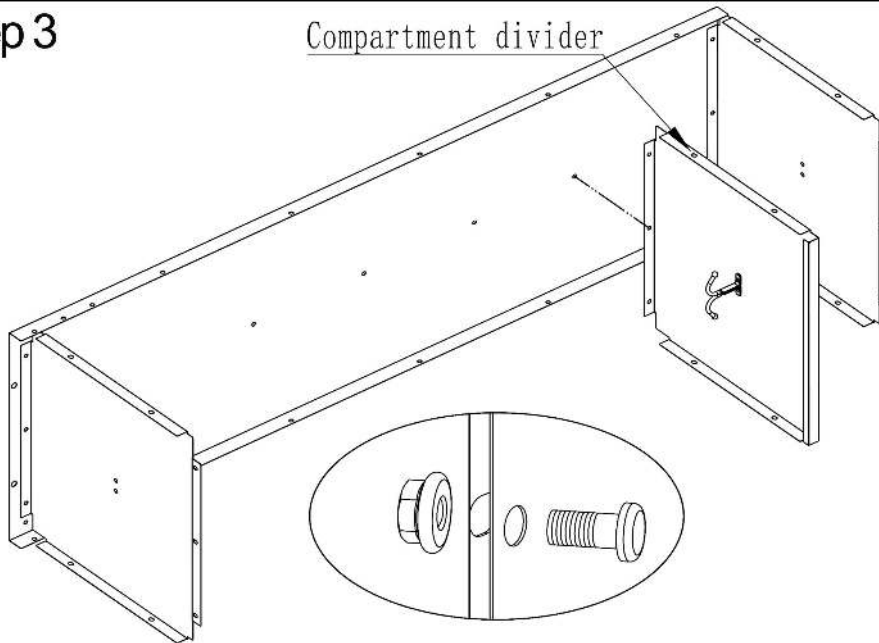
Connect the double hooks and single hooks to the compartment divider and side panels respectively with screws and nuts.



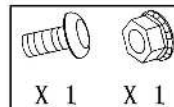
Installation Instruction

Step 3

Compartment divider

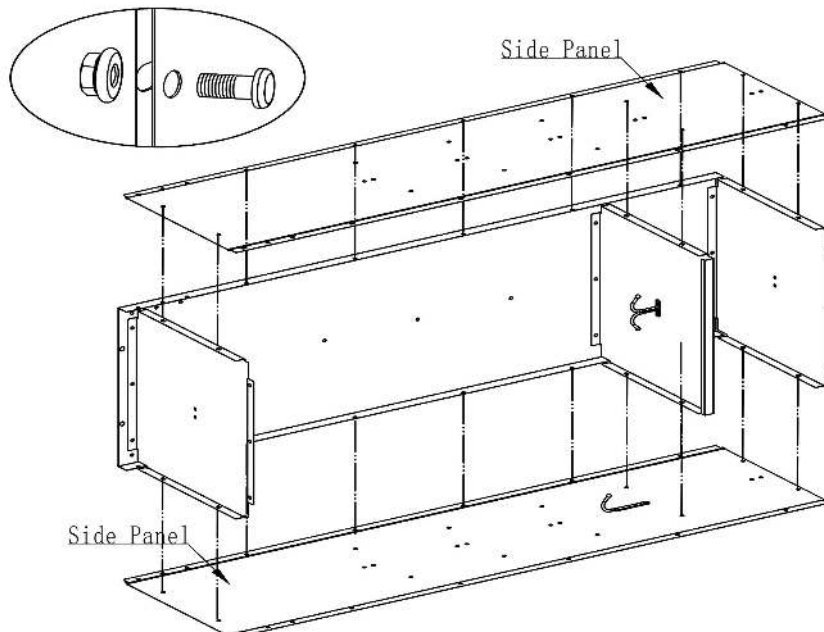


Connect compartment divider to the back panel with screw and nut.



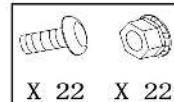
Step 4

Side Panel



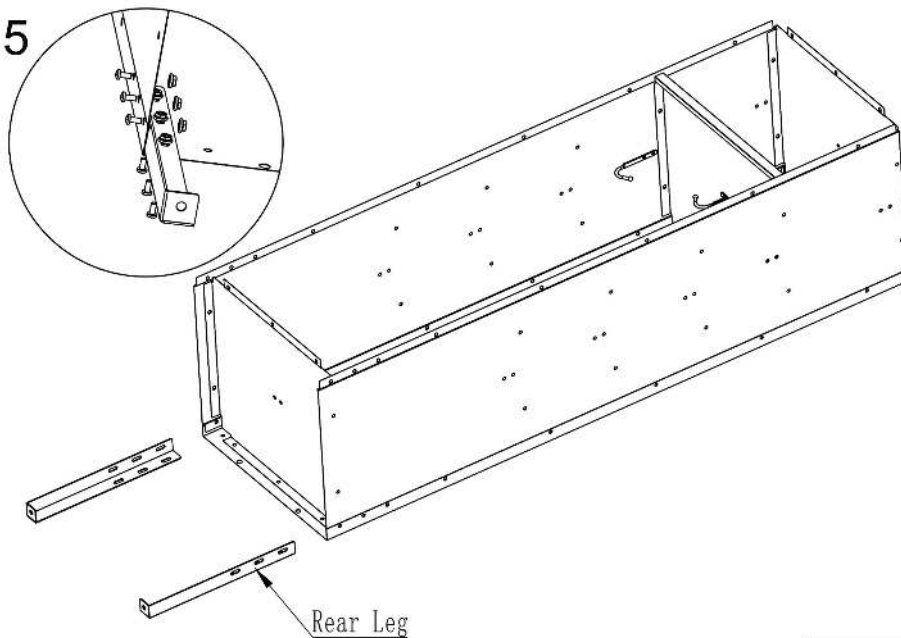
Side Panel

Connect two side panels to 'Step 3' which is shown on the figure with screws and nuts.

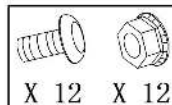


Installation Instruction

Step 5



Install the rear legs with screws and nuts.



Step 6

