

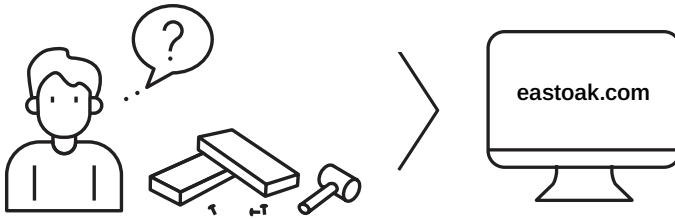
1500W Premium Electric 2-in-1 Wall Mount Patio Heater

Owner's Manual SPH22001



EAST OAK





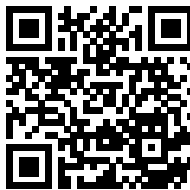
**Question? Comments?
Reach out to us to get expert support!**

✉ support@eastoak.com
🌐 eastoak.com
☎ 1-833-EAST-OAK (USA)
(1-833-327-8625)

Follow [eastoakliving](#) on



Claim 3-year warranty
at eastoak.com/warranty



IMPORTANT CAUTION

Please verify all parts and components present and check for any damaged pieces before assembly. If you have any damaged or missing parts, please contact customer service at support@eastoak.com.

- Some parts may contain sharp edges and may cause injury or property damage. We recommend you wear protective gloves during assembly.
- If you are using power tools, please set the speed to the lowest setting possible to ensure there will be no damage to the parts.



IMPORTANT INFORMATION

DANGER

- To avoid any overheating, do not cover this product when it is in use.
- **This appliance shall be used by adults only.** Any child under the age of 8 years old or persons with reduced physical, sensory, or mental capacity may use this product if given proper supervision and instruction concerning the best practices and safety measures of the appliance. Children should not play with or clean this product.

CAUTION

- This product is **extremely hot when in use** and may cause burns, injury, or death. Children and vulnerable people should remain at least 3 feet away from this product.
- This heater cannot control room temperatures. **Do not use this heater in small rooms with children or pets.**
- This heater must not be placed immediately below a socket outlet.
- Do not place this heater close to any combustible items, such as curtains, cloth, gas, or any flammable liquids.

-
- If the cord or plug is damaged, please contact support@eastoak.com to repair and/or replace the part. Do not attempt to operate this heater prior to replacement.
 - Children under 3 years old should stay away from this product when in use unless closely supervised.
 - Children ages 3 to 8 years old shall not operate this appliance, plug or unplug it into the outlet, clean, or perform any maintenance on this product.



SAY HELLO TO THE FUTURE

Our Infrared 2-in-1 Electric Wall Mount Heater offers maximum heat with 90% less light, creating an ambient and pleasurable outdoor experience for all. Its ultra-low glare technology promises instant comfort in a matter of seconds. It comes with a stand in the package, and the gears can be adjusted by remote control. It can use in open bars, courtyards, plazas, and stations.

Welcome warmth and the perfect amount of heat into your life now with East Oak's Infrared Electric Heater.



SAFETY GUIDE

When using any electrical appliance, including this infrared heater, basic safety precautions must be followed to reduce the risk of fire, shock, or injury. Please read all instructions before using this appliance:

- This heater becomes extremely hot when in use. To minimize risk of burns or injury, do not touch any part of the heater when in use. Allow enough time for product to cool down completely before handling. If applicable, use handles when transporting this product. Keep all combustible items, such as furniture, pillows, bedding, or paper, at least 3 feet away from all sides of the heater.
- Be extremely cautious of surroundings when heater is in use. No children or pets should be close to the product when it is on.
- Ensure heater is unplugged after each use.
- Do not operate this heater if it malfunctions, has been dropped, or any cords or plugs are damaged. Discard heater or send the product to an authorized service facility for inspection and/or repair.
- Do not run the cord under any carpeting, rugs, furniture, or appliances. Ensure the cord is neatly placed away from areas that are high-traffic and may be tripped over.
- Connect to properly grounded outlets only.
- To disconnect the heater, turn the switch to the "OFF" position. Then, remove the plug from the outlet. Allow the product to cool down completely.
- Do not insert any foreign objects into the ventilation system. This may result in a fire, shock, or damage to the heater.
- For fire prevention, do not block any air intakes or exhausts with any items, including newspapers, cloths, or curtains. Do not use this appliance on top of soft surfaces, such as a bed or clothes.
- Do not place any open flame sources on this appliance, such as a lit candle.
- Do not place this appliance near any combustible materials, such as gas, paint, or flammable liquids.
- Only use this heater as described in the manual. Any other use is not recommended by the manufacturer. Be aware that misuse may result in fire, shock, or injury.
- Only plug the heater directly into a grounded outlet with protective connection. Do not use this appliance with an extension cord or power strip.
- Always check the voltage on the name plate of the appliance with the outlet you will be inserting it into.
- The appliance is not located immediately below a wall socket-outlet.

-
- All parts of this heater may become extremely hot when in use. Do not touch the appliance and ensure there is no combustible material around the product. Misuse may result in fire, shock, damage, or injury.
 - In case of an emergency, such as shock or fire, turn off the heater and unplug the appliance immediately. Do not try to repair the product by yourself. Please contact the manufacturer or a qualified electrician.
 - Unplug the appliance and wait until the heater has completely cooled down prior to cleaning or transporting.
 - The appliance must only be mounted by an authorized specialist. Please be aware of any relevant regulations from local electric companies or regional construction organizations.

STORAGE

Do not move, reroute, or wrap cord when heater is in use.

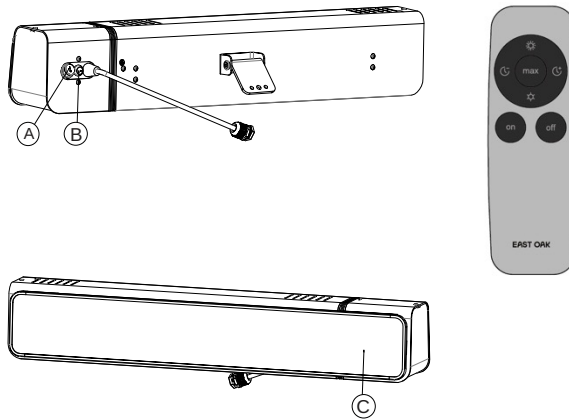
CARE AND MAINTENANCE

- This appliance is designed with a protective aluminum exterior for added durability and low maintenance use. No serviceable parts are included.
- Prior to cleaning your product, unplug the device and wait for it to completely cool down.
- Wipe your product with only a clean, lint-free cloth or a soft bristle brush.
- Do not clean your product with any abrasive cleaners, rough brushes, or chemical products.
- If needed, you may use alcohol to clean this product.
- For your safety, do not immerse the cord, plug, or any part of the product in water or any other liquid.
- If a replacement is needed, please contact the manufacturer or a qualified electrician.
- If a replacement is needed, please contact customer service at support@eastoak.com.








SAVE THESE INSTRUCTIONS

Specifications	
Specification	SPH22001
Voltage (V)	120V 60Hz
Power consumption (W)	1500W
IP code	IP65

FUNCTION INSTRUCTION



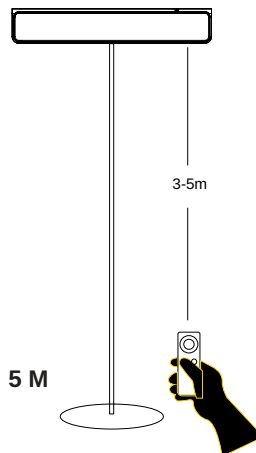
Remark	Graphic	Name	Function
A		Heating level button	Heating level setting (-/L1/L2/L3)
B		Switch	Turn on the power or Turn off the power
C		Through window	<ol style="list-style-type: none"> 1. Infrared receiving transparent window. 2. Display the level setting of the heating. 3. Display countdown of power off. 4. When the heater Standby, the LED atmosphere light is off. 5. When the heater works, the LED atmosphere light is on.

Button	Graphic	Feature
Up Arrow		Up one heating level
Max		The heater goes directly to the highest heating level
Down Arrow		Down one heating level
Timing Key -		1-24h setting, press once to reduce 1 hour, display the remaining time on the screen, and press for a long time to enter the setting mode.
Timing Key +		1-24h setting, press once to increase 1 hour, display the remaining time on the screen, and press for a long time to enter the setting mode.
On		To switch the heater on: Press ON. The patio heater has a soft start function, the heater has been turned on after 4 seconds, it will automatically switch to the last heating level used. In case of the first-time use, after 4 seconds the heater will automatically switch to 100% power.
Off		To switch the heater off: Press OFF. The heater will switch to standby mode (the receiver indicator will light up).

REMOTE CONTROL GUIDE

1. Remote control distance works up to 3-5m.
2. For optimal usage, align the remote to the receiver as illustrated here.

Max. remote distance: 5 M



NOTICE

- The remote control works with 2 AAA 1.5V batteries (sold separately). If the appliance will not be in use, remove the batteries from the remote to minimize any risk of damage.
- Ensure only the approved battery sizes is used for the remote. Misuse may result in damage to the remote or unit's function.
- Contact a service technician for additional assistance if needed.
- Remote may not work if there is a physical blockage interfering between the appliance and remote.
- Replace all batteries as needed to ensure proper function of appliance and remote.

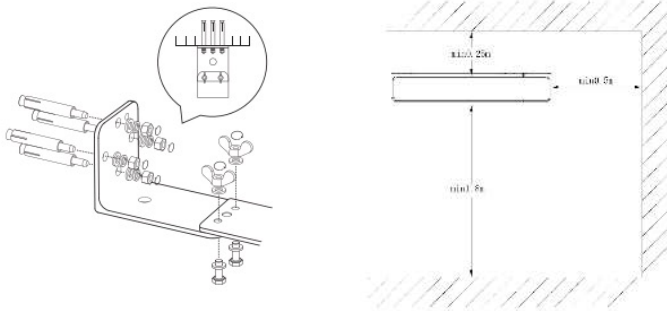
1

OPERATION INSTRUCTION

The heater must be properly installed before it is used. Inspect all components, including the main unit, supply cord, and plugs, for any signs of damage. Take off all screws.

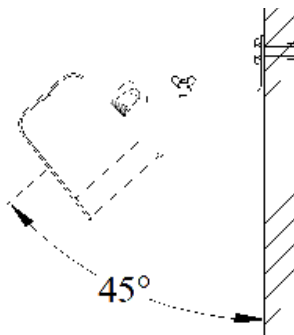
The distance between the bottom edge of the appliance and the floor must be at least **1.8M**. There must be a distance of at least **0.25M** between the appliance and the ceilings, roofs or other covers. There must be a distance of at least **0.5M** on each side between the appliance and walls or the like.

If any parts or hardware pieces are missing or damaged, please contact customer service at support@eastoak.com. In your email, include your shipping address and product information. We will send you replacement parts for free.

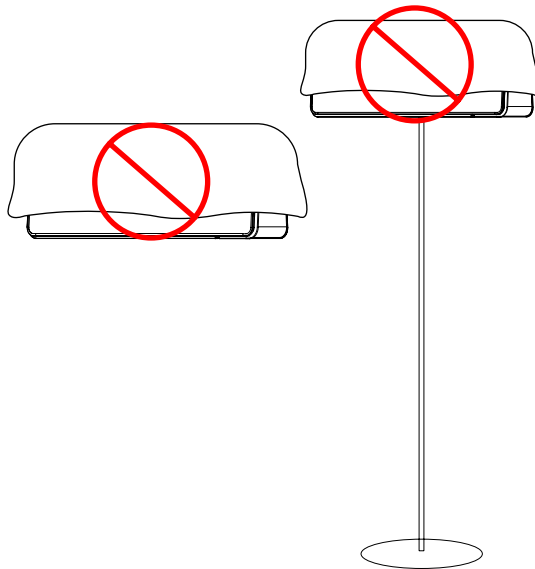


2

Adjust the heater head position of the heater, insert another connecting pipe from the top into the connecting pipe, and fix it at the bottom of the heater bottom. The recommended degree to mounting surface is 45° .

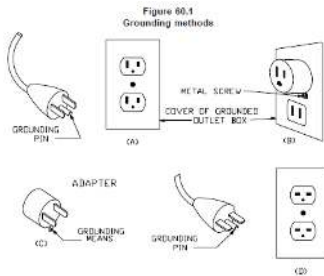


-
- Don't move or cover the heater while it is working.
 - Pay attention to the mounting place and all mounting material (dowels, screws). Ensure they are suitable and stable enough for mounting and lastingly holding the appliance.
 - Pay attention that the appliance installation must not add excessive wind load.
 - Adjust the desired angle of radiation and fasten all screws.
 - Check regularly the screw's connection. Mechanical bearing pressure and oscillation due to wind or rain could lead to loose.
 - Connect the plug to the socket.
 - Turn on the switch and connect the power to check if the heater can work well.
 - Plug in the power source and operate the remote control. Then observe whether the appliance works trouble-free during the first 10-15 minutes.
 - If you do not use it, please remove the battery socket.
 - This heater includes an Overheat Protection System that shuts the unit off when parts of the heater overheat. If this occurs, turn the heater off, unplug it, and inspect and remove any objects on or adjacent to the heater that may cause high temperatures. Wait five to ten minutes for the unit to cool down. Then plug it back in, and resume the regular operation.



GROUNDING INSTRUCTIONS

This heater is compatible with 120-volt sockets. The plug (A) is shown Figure 60.1. An adapter (C) is available to adapt three-blade plugs to two-slot sockets. The green grounding extension must be connected to a permanent ground, such as an outlet box. The adapter should not be used if a three-slot socket is available.



SERVICE

- For your safety, all repairs must be done by an authorized and trained electrician only.
- Please contact the manufacturer or an electrician for your choice.
- Unauthorized repairs may lead to property damage, injury, or death.
- Unauthorized repairs may lead to property damage, injury, or death.
- Our warranty does not cover any damage resulting from unauthorized repairs, accidents, misuse, or maintenance abuse.
- We are committed to continuous product development and we reserve the right to change the product and documentation specifications without notice.
- For any services, please contact customer service at support@eastoak.com.

WARRANTY

GUARANTEED 3-YEAR WARRANTY

Thank you for choosing East Oak. This product is covered by our company warranty for up to 3 years from its original purchase date.

CLAIM WARRANTY

To claim your product's warranty, register your new product on our website at www.eastoak.com/warranty.

The first part of the document discusses the importance of maintaining accurate records of all transactions. It emphasizes that every entry, no matter how small, should be recorded to ensure the integrity of the financial data. This includes not only sales and purchases but also expenses and income. The document provides a detailed list of items that should be tracked, such as inventory levels, supplier payments, and customer orders. It also outlines the procedures for recording these transactions, including the use of standardized forms and the importance of double-checking entries for accuracy.

The second part of the document focuses on the analysis of the recorded data. It explains how to calculate key financial ratios and metrics, such as profit margins, return on investment, and break-even points. The document provides step-by-step instructions for performing these calculations and includes examples to illustrate the process. It also discusses the significance of these metrics in understanding the overall performance of the business and identifying areas for improvement.

The final part of the document addresses the reporting requirements for the financial data. It outlines the format and content of the reports that should be generated, including the balance sheet, income statement, and cash flow statement. It also provides guidance on how to present the data in a clear and concise manner, using tables and charts to enhance the readability of the reports. The document concludes by emphasizing the importance of regular reporting and the role of accurate financial records in making informed business decisions.

EAST OAK

✉ support@eastoak.com

🌐 eastoak.com

☎ 1-833-EAST-OAK (USA)