



DRAPER[®]

19L TYRE BEAD SEATER 80000



These instructions accompanying the product are the original instructions. This document is part of the product, keep it for the life of the product passing it on to any subsequent holder of the product. Read all these instructions before assembling, operating or maintaining this product.

This manual has been compiled by Draper Tools describing the purpose for which the product has been designed, and contains all the necessary information to ensure its correct and safe use. By following all the general safety instructions contained in this manual, it will ensure both product and operator safety, together with longer life of the product itself.

All photographs and drawings in this manual are supplied by Draper Tools to help illustrate the operation of the product.

Whilst every effort has been made to ensure the accuracy of information contained in this manual, the Draper Tools policy of continuous improvement determines the right to make modifications without prior warning.

1. TITLE PAGE

1.1 INTRODUCTION:

USER MANUAL FOR: 19L Tyre Bead Seater

Stock No: 80000

Part No: TBS5

1.2 REVISIONS:

Date first published November 2019.

First revision June 2022.

As our user manuals are continually updated, users should make sure that they use the very latest version.

Downloads are available from: <http://drapertools.com/manuals>

Draper Tools Limited
Hursley Road
Chandler's Ford
Eastleigh
Hampshire
SO53 1YF
UK

Draper Tools Limited
Oude Graaf 8
6002 NL
WEERT
Netherlands

Website: drapertools.com

Product Helpline: +44 (0) 23 8049 4344

General Fax: +44 (0) 23 8026 0784

1.3 UNDERSTANDING THIS MANUALS SAFETY CONTENT:

WARNING! – Information that draws attention to the risk of injury or death.

CAUTION! – Information that draws attention to the risk of damage to the product or surroundings.

1.4 COPYRIGHT © NOTICE:

Copyright © Draper Tools Limited.

Permission is granted to reproduce this publication for personal and educational use only. Commercial copying, redistribution, hiring or lending is prohibited.

No part of this publication may be stored in a retrieval system or transmitted in any other form or means without written permission from Draper Tools Limited.

In all cases this copyright notice must remain intact.

2. CONTENTS

1. TITLE PAGE	
1.1 INTRODUCTION	2
1.2 REVISION HISTORY	2
1.3 UNDERSTANDING THIS MANUAL	2
1.4 COPYRIGHT NOTICE	2
2. CONTENTS	
2.1 CONTENTS	3
3. WARRANTY	
3. WARRANTY	4
4. INTRODUCTION	
4.1 SCOPE	5
4.2 SPECIFICATION	5
4.3 HANDLING AND STORAGE	5
5. HEALTH AND SAFETY INFORMATION	
5.1 GENERAL SAFETY INSTRUCTIONS	6
6. TECHNICAL DESCRIPTION	
6.1 IDENTIFICATION	7
7. UNPACKING AND CHECKING	
7.1 PACKAGING	8
7.2 WHAT'S IN THE BOX?	8
8. ASSEMBLING TYRE BEAD SEATER	
8.1 JOINING BARREL WITH AIR RELEASE VALVE	9
9. BASIC TYRE BEAD SEATER OPERATIONS	
9.1 TO CHARGE THE TANK	10
9.2 USING THE BEAD SEATER	10
10. DISPOSAL	
10.1 DISPOSAL	11
11. EXPLANATION OF SYMBOLS	
11.1 EXPLANATION OF SYMBOLS	12
DECLARATION OF CONFORMITY	ENCLOSED

3. WARRANTY

3.1 WARRANTY

Draper tools have been carefully tested and inspected before shipment and are guaranteed to be free from defective materials and workmanship.

Should the tool develop a fault, please return the complete tool to your nearest distributor or contact

Draper Tools Limited, Chandler's Ford, Eastleigh, Hampshire, SO53 1YF. England.

Telephone Sales Desk: (023) 8049 4333 or Product Help Line (023) 8049 4344.

A proof of purchase **must** be provided with the tool.

If upon inspection it is found that the fault occurring is due to defective materials or workmanship, repairs will be carried out free of charge. This warranty period covering parts and labour is 12 months from the date of purchase except where tools are hired out when the warranty period is 90 days from the date of purchase. This warranty does not apply to any consumable parts, any type of battery or normal wear and tear, nor does it cover any damage caused by misuse, careless or unsafe handling, alterations, accidents, or repairs attempted or made by any personnel other than the authorised Draper warranty repair agent.

Note: If the tool is found not to be within the terms of warranty, repairs and carriage charges will be quoted and made accordingly.

This warranty applies in lieu of any other warranty expressed or implied and variations of its terms are not authorised.

Your Draper warranty is not effective unless you can produce upon request a dated receipt or invoice to verify your proof of purchase within the warranty period.

Please note that this warranty is an additional benefit and does not affect your statutory rights.

Draper Tools Limited.

4. INTRODUCTION

4.1 SCOPE

The easy and instant way to seat tubeless tyre beads. Dumps air into tyre void forcing bead to seat against rim for inflation. Air release is controlled by a hand lever operating a ball valve. Fully certified tank with gauge and safety valve prevents over pressurising. Suitable for use on cars, commercials, agricultural and ATV tyres.

Any application other than that it was intended for, is considered misuse.

4.2 SPECIFICATION

Stock No.	80000
Part No.	TBS5
Tank Capacity.....	19 Litres (5 Gallon)
Maximum Pressure	145psi (10Bar)
Operating Pressure	85 - 115psi (6-8 Bar)
Gauge Range	0 - 230psi (0-16 Bar)
Certification	EN 13445
Nett Weight.....	11.0kg

4.3 HANDLING AND STORAGE

Care must still be taken when handling and lifting. Dropping this machine will have an effect on the accuracy and may also result in personal injury. This machine is not a toy and must be respected.

The environment will have a negative result on its operation if you are not careful. If the air is damp, components will rust. If the machine is unprotected from dust and debris; components will become clogged: And if not cleaned and maintained correctly or regularly the machine will not perform at its best.

5. HEALTH AND SAFETY INFORMATION

5.1 GENERAL SAFETY INSTRUCTIONS

Warning: Please read the following instructions carefully failure to do so could lead to serious personal injury.

Important: Draper Tools recommends that this product should not be modified or used for any application other than that for which it was designed. If you are unsure of it's relative applications do not hesitate to contact us in writing and we will advise you.

1. Know your bead seater

Before operating the bead seater, read and fully understand the operating and use sections in this manual. Read all labels affixed to the bead seater. Learn it's applications and limitations.

2. Servicing and maintenance

Do not service or maintain this bead seater until you have read and understood the maintenance section of this manual.

3. Check damaged parts

Before further use of this bead seater, parts that are damaged should be carefully checked to ensure that it will operate correctly and perform its intended function. Check for alignment of moving parts, breakage of parts and any other conditions that may effect its operation. A guard or other part that is damaged should be properly repaired or replaced.

4. Avoid dangerous environments

Do not use the bead seater in damp or wet locations or expose it to rain. Keep the work area well lit. Provide adequate surrounding work space.

5. Avoid accidental starting

Ensure the lever on the bead seater is in the "closed" position before connecting to an air supply.

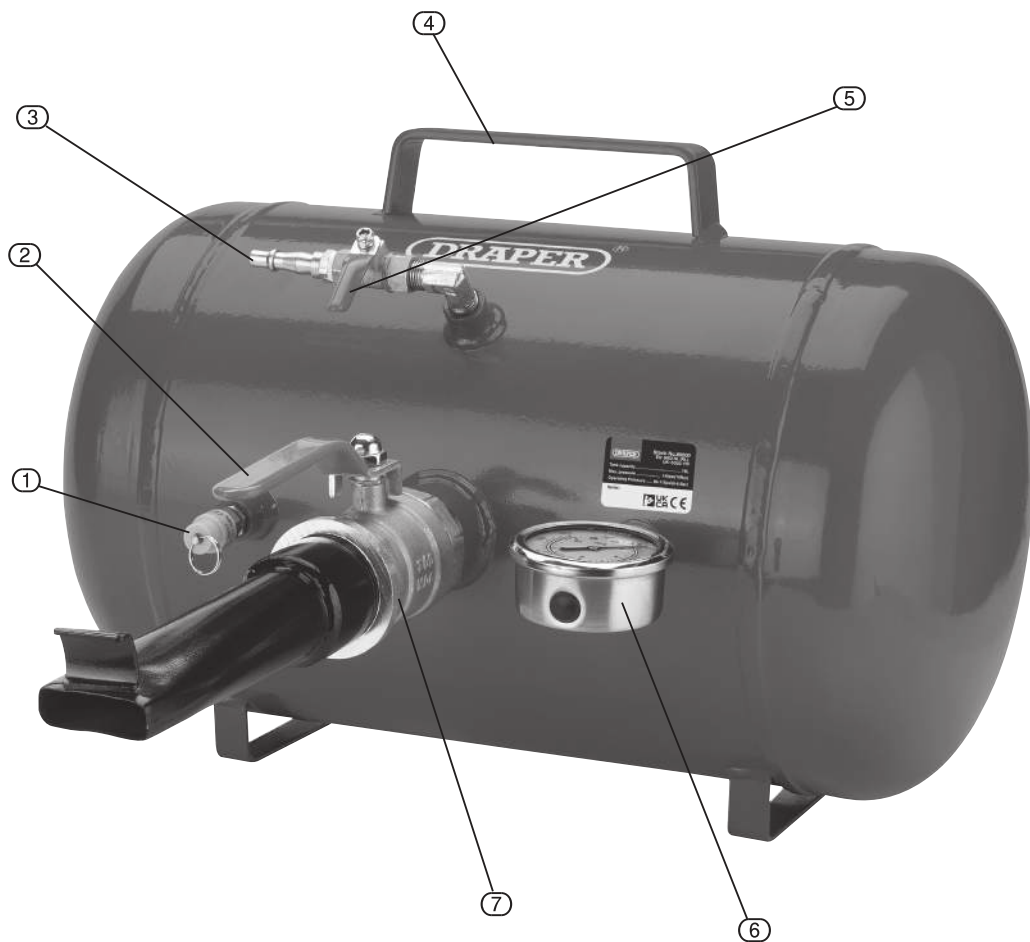
6. Keep children away

Ensure the bead seater is stored out of reach of small children.

Have this tool repaired by a qualified person. This tool is designed to conform to the relevant international and local standards and as such should be maintained and repaired by someone qualified; using only original parts supplied by the manufacturer: This will ensure the tool remains safe to use.

6. TECHNICAL DESCRIPTION

6.1 IDENTIFICATION



- ① Safety pressure relief valve.
- ② Air release valve lever.
- ③ Air inlet connection.
- ④ Handle.
- ⑤ Air inlet valve lever.
- ⑥ Pressure gauge.
- ⑦ Air release valve.

7. UNPACKING AND CHECKING

7.1 PACKAGING

Carefully remove the bead seater from the packaging and examine it for any sign of damage that may have happened during shipping. Lay the contents out and check them against the parts shown below. If any part is damaged or missing; please contact the Draper Helpline (the telephone number appears on the Title page) and do not attempt to use the machine.

The packaging material should be retained at least during the guarantee period: in case the machine needs to be returned for repair.

Warning! Some of the packaging materials used may be harmful to children. Do not leave any of these materials in the reach of children.

If any of the packaging is to be thrown away, make sure they are disposed of correctly; according to local regulations.

7.2 WHAT'S IN THE BOX?

The packaging contains parts that require final assembly. Lay out the contents and check off the items against those featured below.



⑧ Outlet nozzle.

⑨ Sealing washer.

8. ASSEMBLING TYRE BEAD SEATER

8.1 JOINING OUTLET NOZZLE WITH AIR RELEASE VALVE

Check that all components are present and in good order.

Screw the outlet nozzle firmly into the Air outlet port using PTFE tape or equivalent to enable sealing and ease of removal.

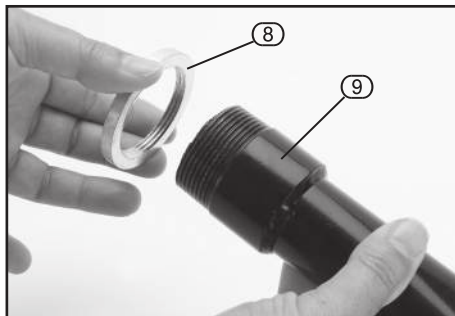


FIG.1



FIG.2



FIG.3



FIG.4

9. BASIC TYRE BEAD SEATER OPERATIONS

9.1 TO CHARGE THE TANK

Attach an air line to the air inlet valve on the bead seater, open the inlet valve and charge the tank to required pressure.

The recommended operating pressure is 85psi to 115psi, depending on the size and condition of the tyre.

When used with the wheel in the upright position it will normally require a pressure over 85-115psi to set the bead.

9.2 USING THE BEAD SEATER

1. Adjust the outlet nozzle, so that the outlet nozzle flange is on the top, ensuring that it is secured with the sealing washer.
2. Ensure that both beads of the tyre have been well lubricated and position the wheel on to a stand. The valve stem should be pointing upwards.
3. Adjust the bead seater so that the weight of the unit is resting firmly on your leg, and rest the outlet nozzle flange on the rim of the wheel. The bead seater should be angled between 50 and 70 degrees, so that the outlet nozzle is pointing directly into the largest gap between the tyre and the wheel .
4. Holding the bead seater securely with one hand quickly open the release valve with the other hand. If the bead does not seat, recharge the tank and repeat the procedure.

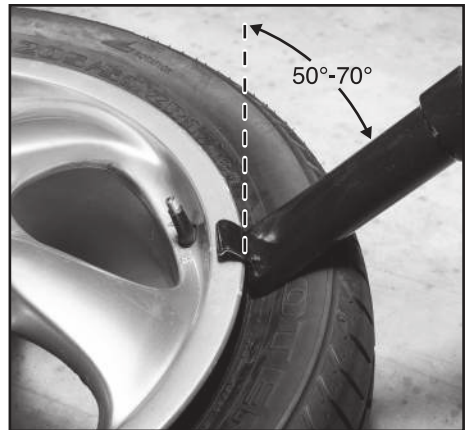


FIG.5

10. DISPOSAL

10.1 DISPOSAL

- At the end of the machine's working life, or when it can no longer be repaired, ensure that it is disposed of according to national regulations.
- Contact your local authority for details of collection schemes in your area.

In all circumstances:

- Do not dispose of power tools with domestic waste.
- Do not incinerate.
- Do not abandon in the environment.

11. EXPLANATION OF SYMBOLS

11.1 EXPLANATION OF SYMBOLS



Read the instruction manual.



For indoor use only.
Do not expose to rain.



Conforms to all relevant
safety standards.



UK Conformity Assessed.

CONTACTS

Draper Tools Limited

UK: Hursley Road, Chandler's Ford, Eastleigh,
Hampshire. SO53 1YF. U.K.

EU: Oude Graaf 8
6002 NL Weert (NL).

Helpline: (023) 8049 4344

Sales Desk: (023) 8049 4333

Internet: drapertools.com

E-mail: sales@drapertools.com

General Enquiries: (023) 8026 6355

Service/Warranty Repair Agent:

For aftersales servicing or warranty repairs, please contact the
Draper Tools Helpline for details of an agent in your local area.

YOUR DRAPER STOCKIST

MSTL0622

©Published by Draper Tools Limited.

No part of this publication may be reproduced, stored in a retrieval system or transmitted in any form or by any means, electronic, mechanical photocopying, recording or otherwise without prior permission in writing from Draper Tools Ltd.