



Detex Corporation, 302 Detex Drive, New Braunfels, Texas 78130-3045  
830-629-2900 / 800-729-3839 / Fax 800-653-3839 / Text photos only: 830-481-6433 / INTERNET: www.detex.com

**INSTALLATION INSTRUCTIONS FOR 03R ADVANTEX®  
TRIM FOR NARROW STILE (60 SERIES) CVR APPLICATIONS**

60 / F60 / 61 / F61 / 62 / F62 / 63 / F63 Series  
Drawing # 105106

<b>Table of Contents</b>	<b>Page</b>
Device parts breakdown view & part numbers.....	2
Prep Door.....	3
Prep Cylinder & Trim, Install Trim on Door.....	4

Should you have a Question/Problem with your Detex device please call Detex Technical Support from job site at 1-800-729-3839 and choose option 2 on our menu. Please do not return the product to the distributor.

**For WARRANTY information,  
scan code below or  
go to [www.detex.com/warranty](http://www.detex.com/warranty)**

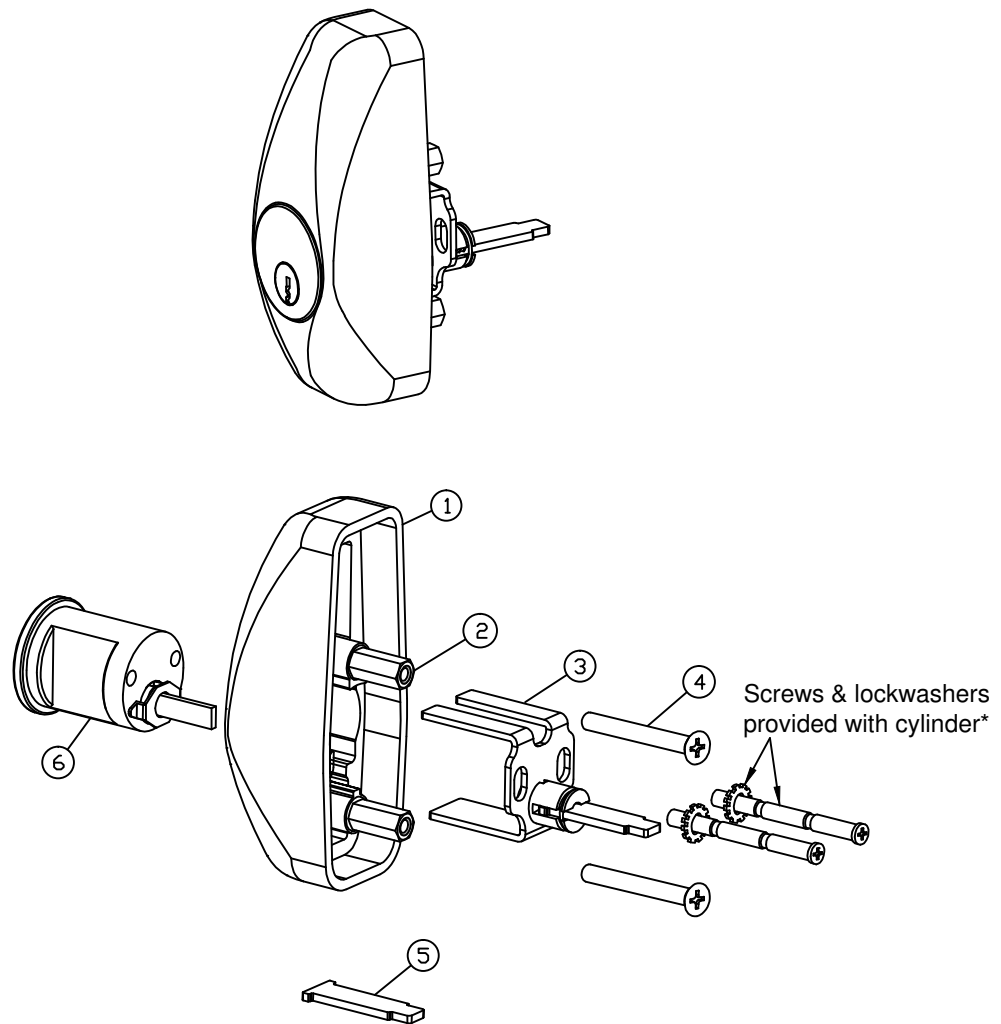


**For device installation videos,  
scan code below or  
go to [www.detex.com/videos](http://www.detex.com/videos)**



Owner's Copy





PARTS BREAKDOWN			
Item	P/N	QTY	Description
1	105104-7	1	03R TRIM HOUSING, CVR NARROW, 626 FINISH
2	105105	2	HEX STANDOFF, CVR 03 TRIM NARROW
3	105238-1	1	TRIM TAILPIECE ASSY, 03 FUNCTION, CVR, 03R
4	105622-124	2	SCREW, 10-24 X 1-1/2" LONG, PFH, S.S. (for 1-3/4" door)
	105622-128	2	SCREW, 10-24 X 1-3/4" LONG, PFH, S.S. (for 2" door)
	105622-132	2	SCREW, 10-24 X 2" PFH, LONG, S.S. (for 2-1/4" door)
5	105239-1	1	TAILPIECE, 2-1/4" THK DOOR, CVR
6	ECL-445-7-DD	1	CYLINDER, RIM, 5 PIN, SATIN CHROME (*sold separately)
	RC7-626		CYLINDER, RIM, 7 PIN, SATIN CHROME (*sold separately)
7	105285	1	TEMPLATE, PAPER, 03R TRIM PREP (not shown)

Must use BP12  
backplate  
(supplied with exit device)

### 1. PREPARE THE DOOR - DEVICE SIDE

If not already done, prep the door per the instructions provided with the exit device.

#### TOOLS AND SUPPLIES

Safety Glasses

(Always put on safety glasses prior to beginning installation of unit)

Pencil

Center Punch

Hammer

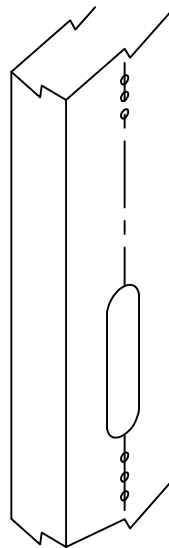
Power Drill

1-1/4" Hole Saw

Drill Bit & Tap Set

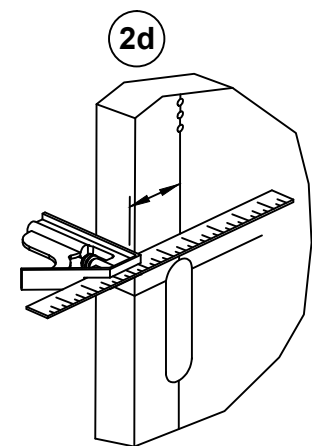
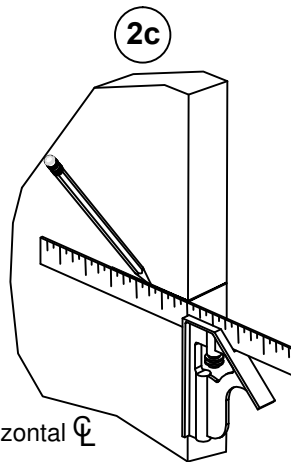
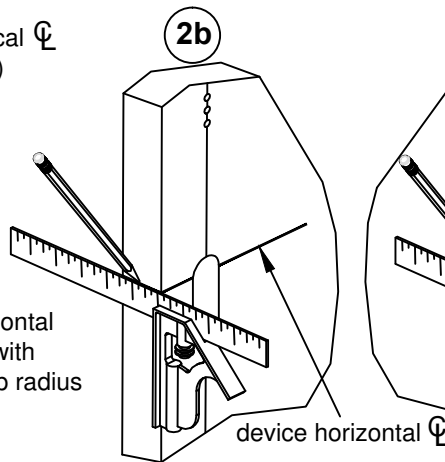
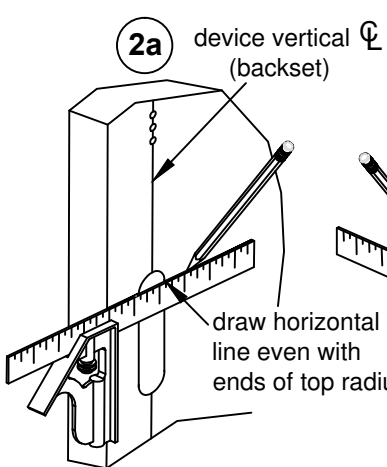
Screw Driver (Phillips Drive)

Tape Measure

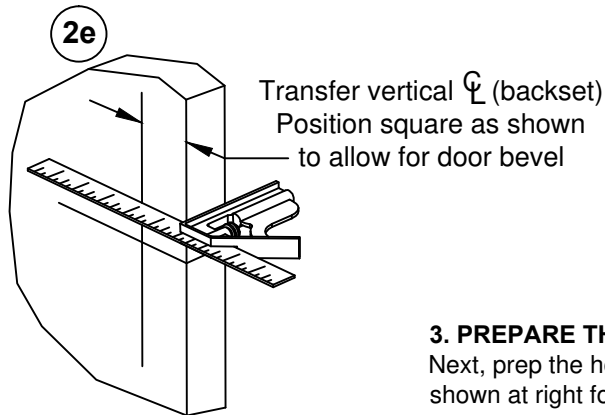


DEVICE (INSIDE)  
FACE  
OF DOOR

### 2. TRANSFER DEVICE CENTERLINES TO TRIM SIDE OF DOOR



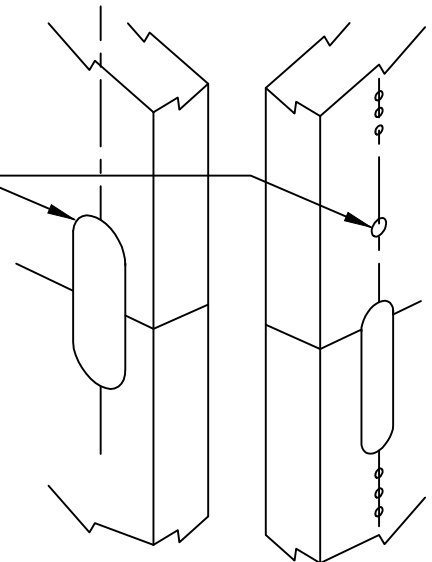
Measure vertical  $\mathcal{C}$  (backset)  
Position square as shown  
to allow for door bevel



### 3. PREPARE THE DOOR - TRIM SIDE

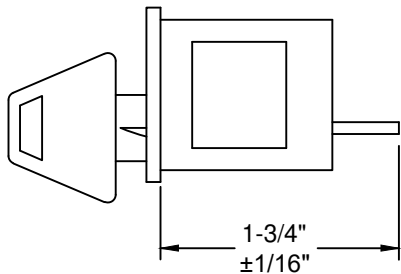
Next, prep the hole and slotted opening shown at right for the trim per the template (p/n 105285) provided with this trim.

(Template also available on Detex website  
See template T2314)



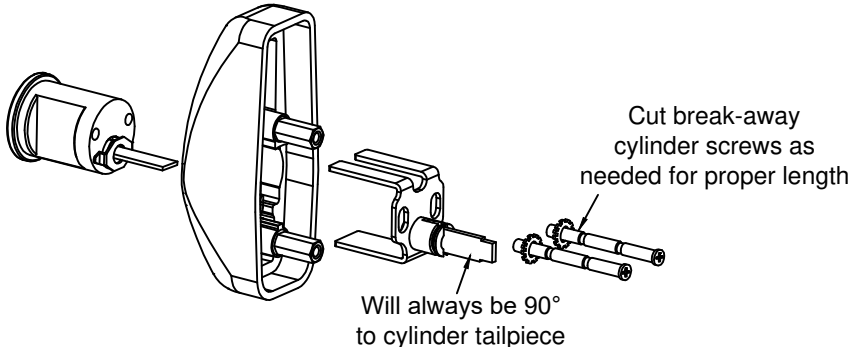
**4. PREPARING THE CYLINDER:**

Cut rim cylinder tailpiece as shown below.



**5. ASSEMBLE THE TRIM:**

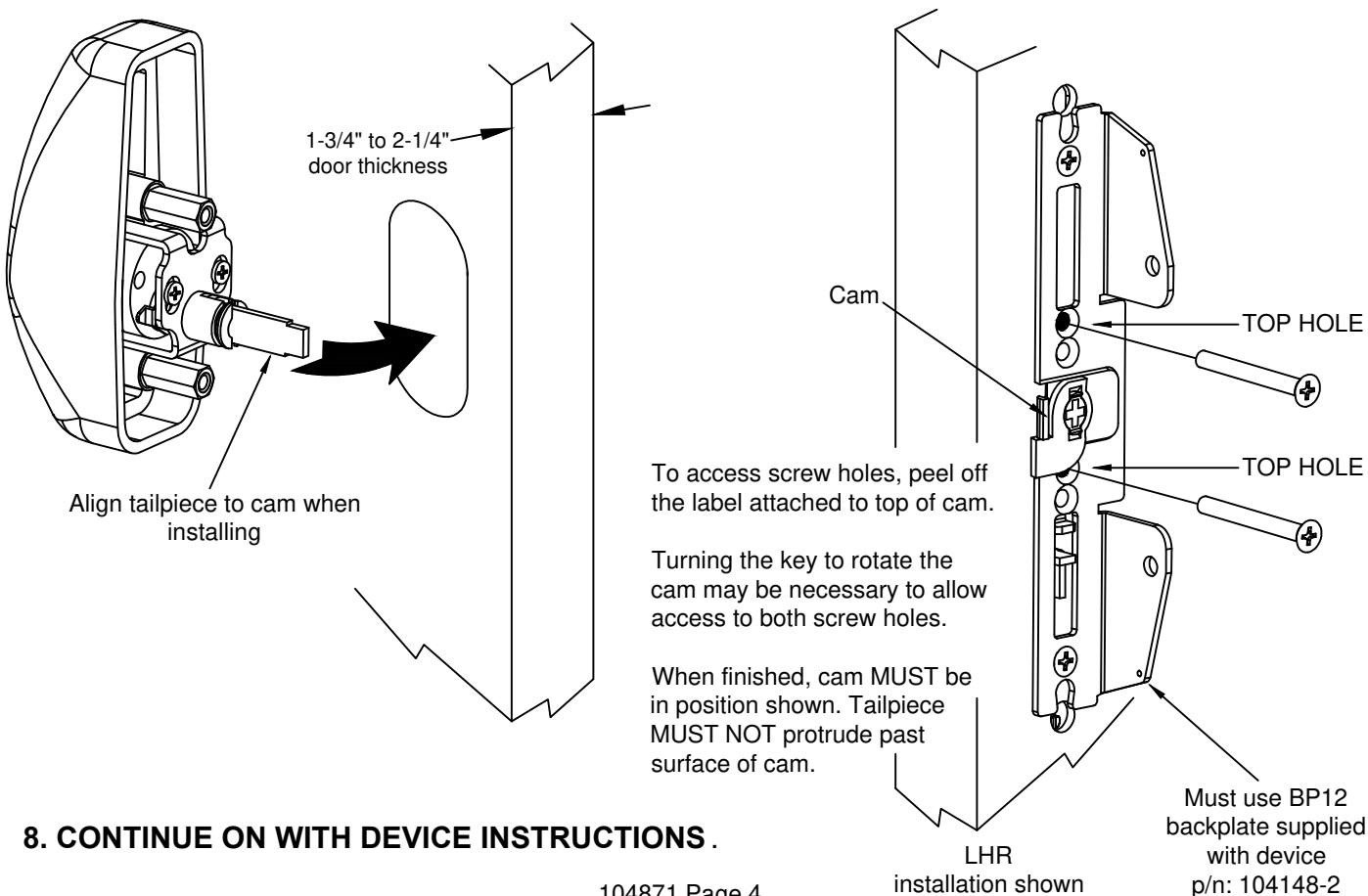
Assemble the cylinder (with key removed), trim housing & tailpiece assembly. The unit comes assembled with the tailpiece used on 1-3/4 to 2" thick doors. For 2-1/4" thick doors, replace with the longer tailpiece provided (p/n 105239-1).



**6. GO BACK AND FOLLOW EXIT DEVICE INSTRUCTION STEPS** up to, but not including ASSEMBLE DEVICE TO DOOR. Trim must be installed **BEFORE** device is assembled to door.

**7. INSTALL TRIM ON DOOR**

With the required BP12 backplate secured, use the appropriate length screws in the TOP HOLE in each pair of backplate holes above and below the cam (as shown) to install trim.



**8. CONTINUE ON WITH DEVICE INSTRUCTIONS .**